



US00D910332S

(12) **United States Design Patent** (10) **Patent No.:** **US D910,332 S**
White (45) **Date of Patent:** **** Feb. 16, 2021**

(54) **PET LEASH PURSE WITH PET WASTE BAG DISPENSER**

(71) Applicant: **Jennifer Jane White**, Marina Del Rey, CA (US)

(72) Inventor: **Jennifer Jane White**, Marina Del Rey, CA (US)

(**) Term: **15 Years**

(21) Appl. No.: **29/644,839**

(22) Filed: **Apr. 20, 2018**

(51) **LOC (13) Cl.** **30-99**

(52) **U.S. Cl.**
USPC **D6/518**

(58) **Field of Classification Search**
USPC D6/515-523; 206/225, 233, 389, 391, 206/812, 824; 211/13.1, 45; 248/309.1, 248/309.2, 905; 242/925, 570, 590; 221/26, 33, 282, 283, 61; 222/173, 180; D3/232-233, 240-243, 245-246
CPC E01H 2001/128; E01H 1/1206; E01H 2001/1286; E01H 2001/124; A01K 27/008; B65D 43/16; B65D 83/0805; B65D 85/62; B65D 25/22; B65F 1/0006; B65F 2240/136

See application file for complete search history.

(56) **References Cited**

U.S. PATENT DOCUMENTS

D341,939 S *	12/1993	Zelcer	D3/243
D351,062 S *	10/1994	Shapland	D3/233
D354,619 S *	1/1995	Soukeras	D3/217
D372,795 S *	8/1996	Swinford	D3/233
D396,554 S *	8/1998	Roeder	D3/232
D429,562 S *	8/2000	Lau	D3/226
6,199,737 B1 *	3/2001	Ringelstetter	E01H 1/1206 150/108

6,257,473 B1 *	7/2001	Ringelstetter	E01H 1/1206 119/795
D547,545 S *	7/2007	Boehm	D3/201
D560,351 S *	1/2008	Boehm	D3/201
D566,384 S *	4/2008	Yanz	D3/232
D586,119 S *	2/2009	Sabbah	D3/243
D600,010 S *	9/2009	Verhoeven	D3/232
D631,247 S *	1/2011	Sabbah	D3/232
D646,479 S *	10/2011	Littleton	D3/243
D685,181 S *	7/2013	Burns	D3/232
D705,537 S *	5/2014	Smith	D3/243
D717,043 S *	11/2014	Pulliam	D3/243

(Continued)

Primary Examiner — Nathan M Johnston

(74) *Attorney, Agent, or Firm* — BakerHostetler

(57) **CLAIM**

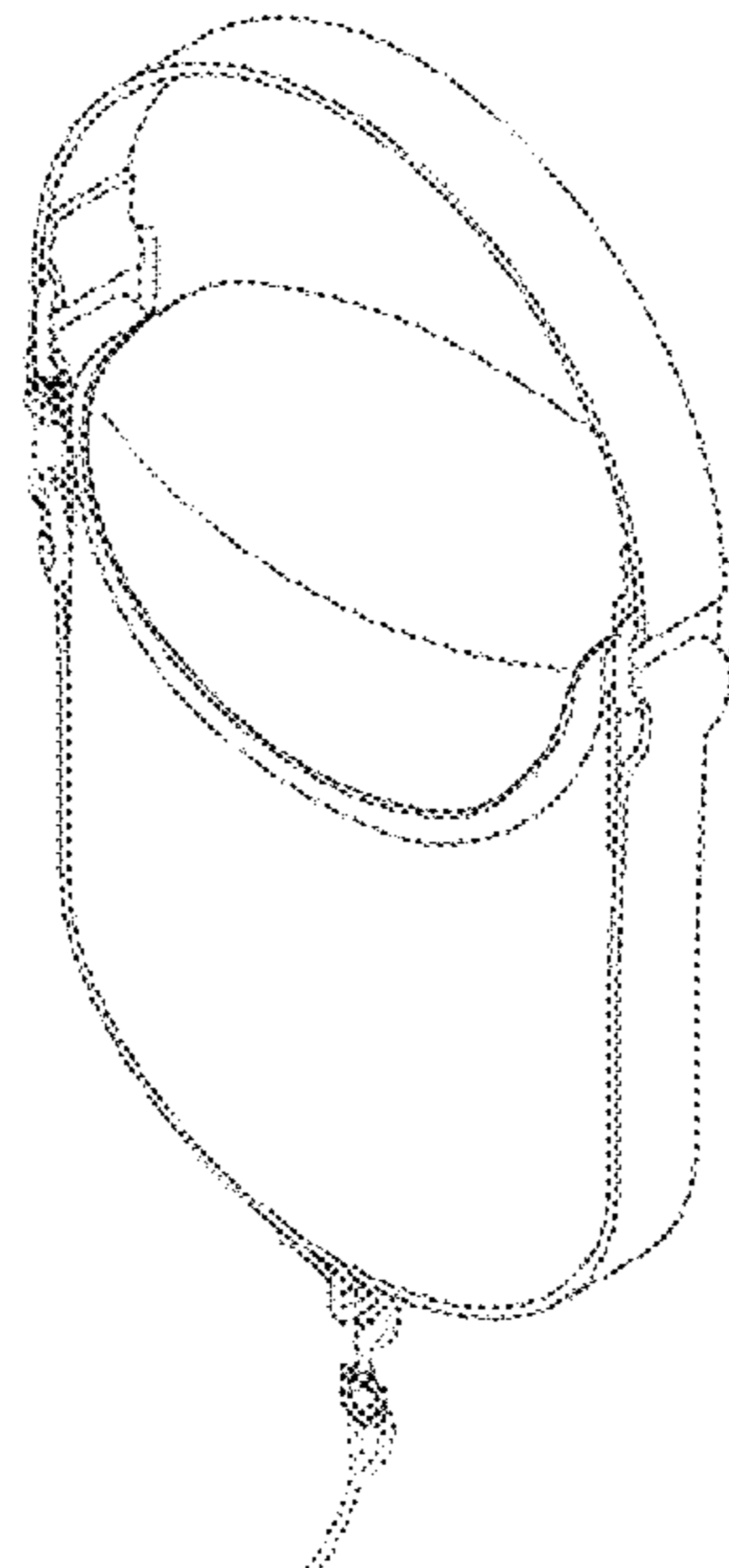
The ornamental design for a pet leash purse with pet waste bag dispenser, as shown and described.

DESCRIPTION

FIG. 1 is a top, left, front perspective view of a pet leash purse with pet waste bag dispenser according to our design; FIG. 2 is a front, elevation view of the pet leash purse with pet waste bag dispenser illustrated in FIG. 1; FIG. 3 is a rear, elevation view of the pet leash purse with pet waste bag dispenser illustrated in FIG. 1; FIG. 4 is a right side, elevation view of the pet leash purse with pet waste bag dispenser illustrated in FIG. 1; FIG. 5 is a left side, elevation view of the pet leash purse with pet waste bag dispenser illustrated in FIG. 1; FIG. 6 is a top, plan view of the pet leash purse with pet waste bag dispenser illustrated in FIG. 1; and, FIG. 7 is a bottom, plan view of the pet leash purse with pet waste bag dispenser illustrated in FIG. 1.

The broken line portion of the figure drawings is included to show unclaimed subject matter only for the purpose of illustrating environment and forms no part of the claimed design.

1 Claim, 3 Drawing Sheets



(56)

References Cited

U.S. PATENT DOCUMENTS

D749,319 S *	2/2016	Wright	D3/232
D751,814 S *	3/2016	Louboutin	D3/232
D762,060 S *	7/2016	Adio	D3/243
D855,975 S *	8/2019	Fusi	D3/232
D855,981 S *	8/2019	Vickery	D3/243
D876,830 S *	3/2020	Spaziani	D3/243
D883,663 S *	5/2020	Lopez Montoya	D3/243
2019/0124891 A1 *	5/2019	Swinton	A45C 11/24

* cited by examiner

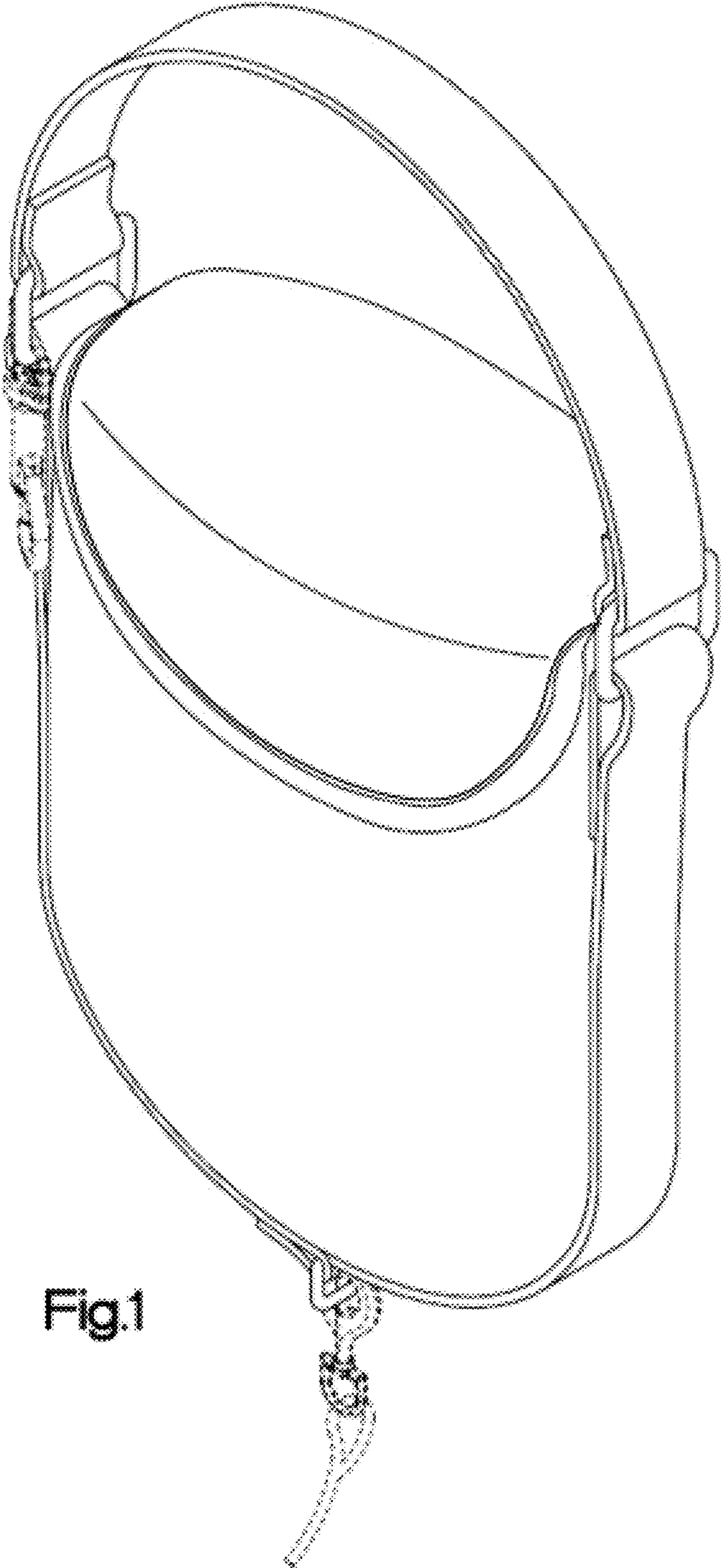


Fig.1

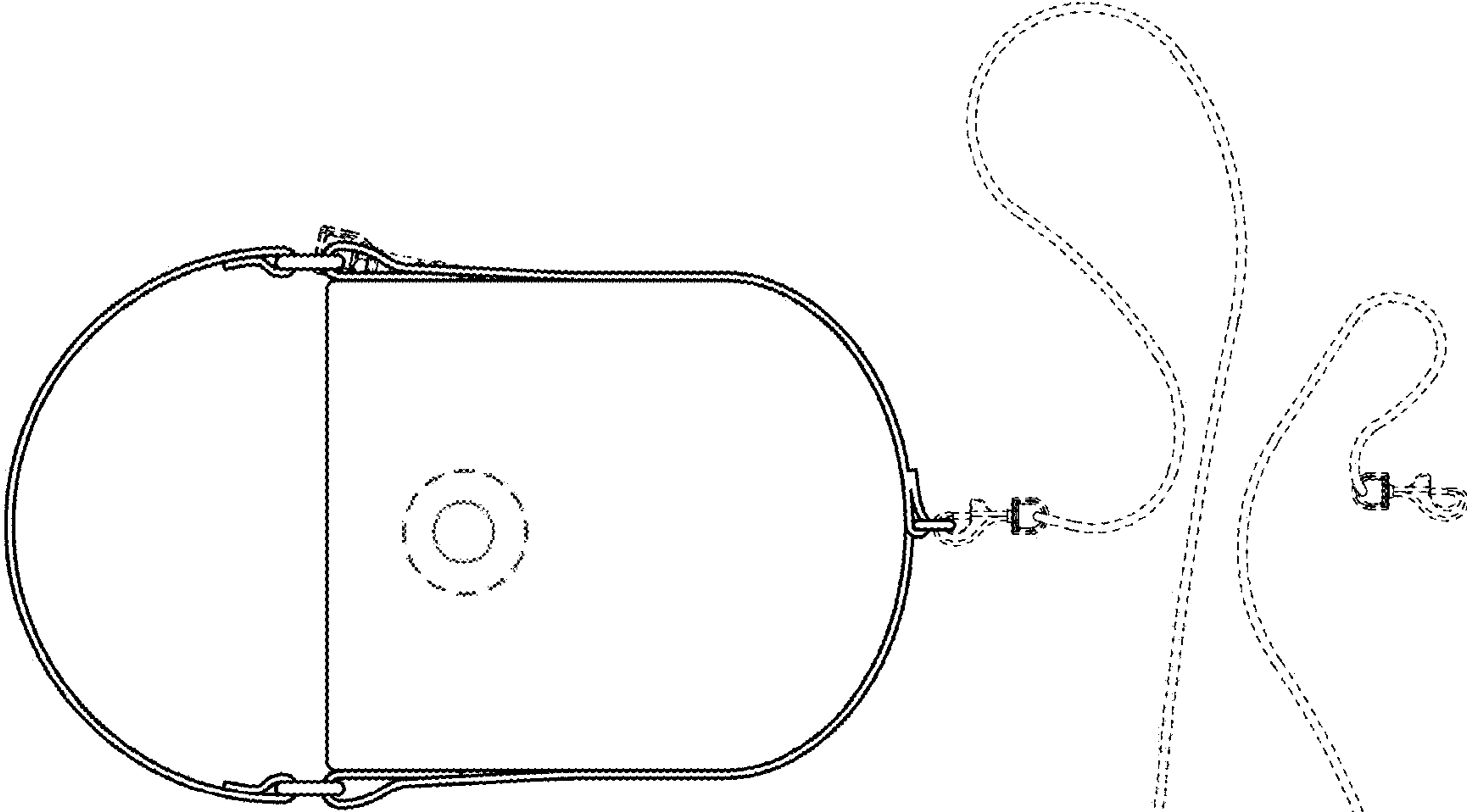


Fig.3

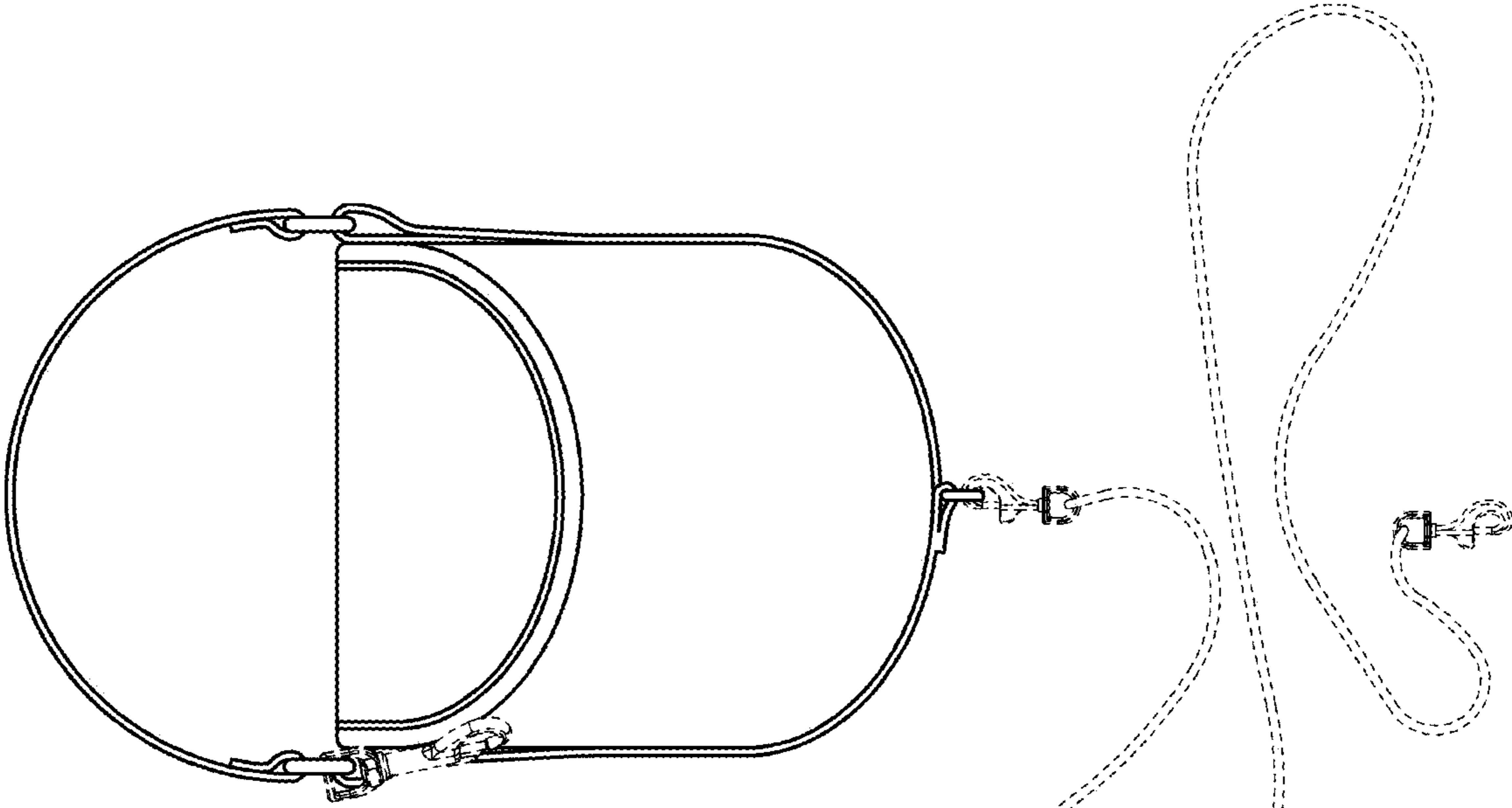


Fig.2

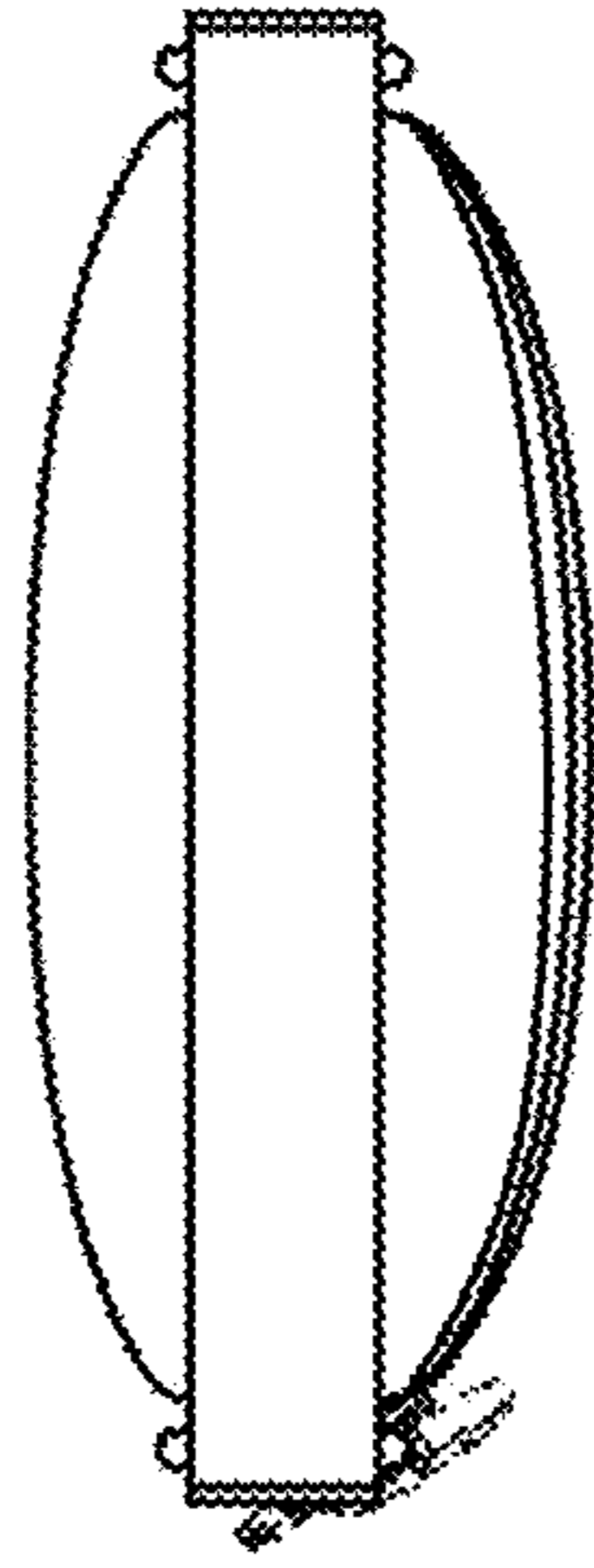


Fig.6

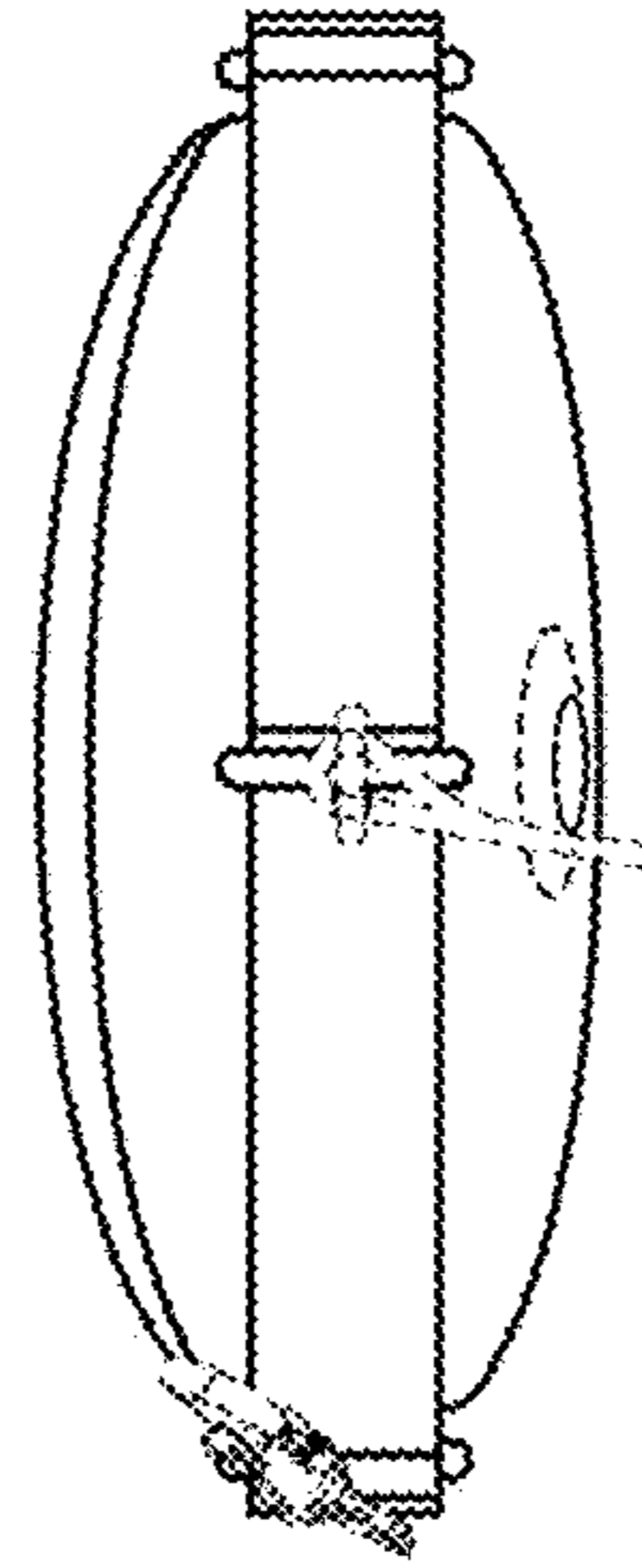


Fig.7

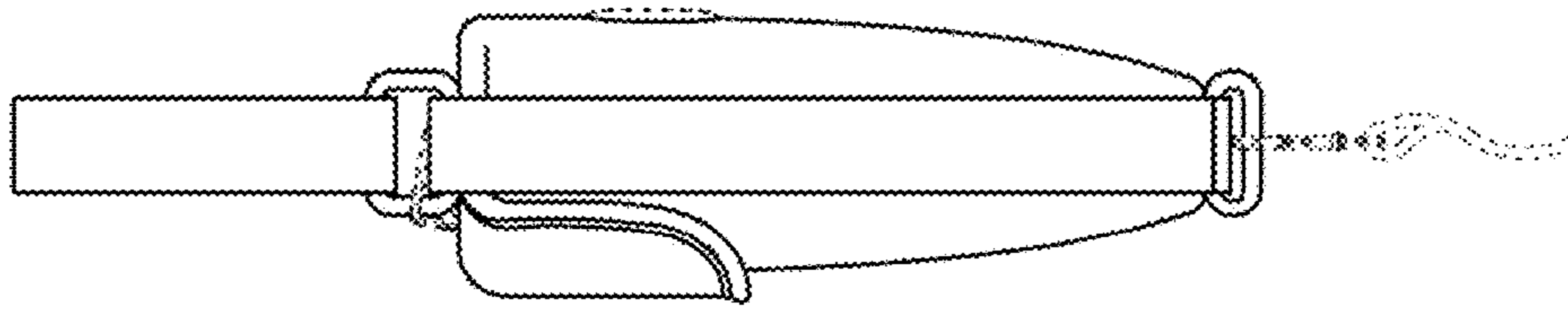


Fig.5

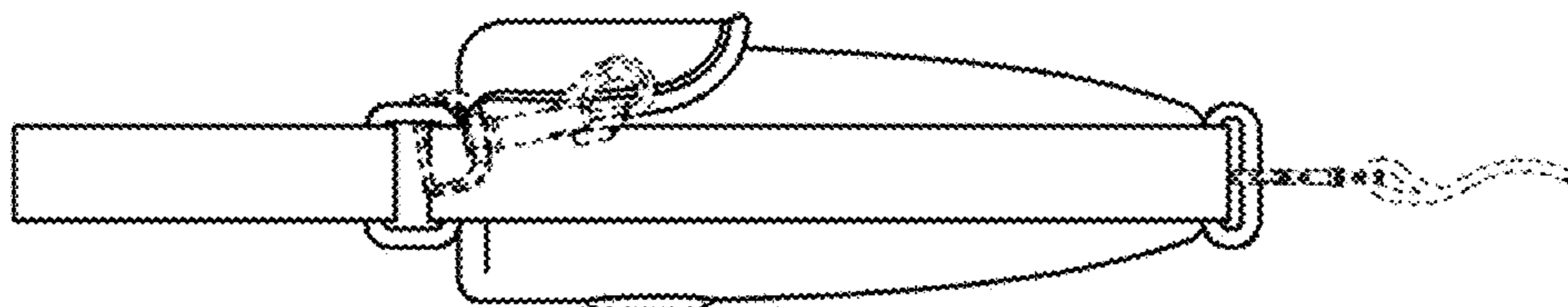


Fig.4