

US00D910331S

(12) **United States Design Patent** (10) **Patent No.:** **US D910,331 S**  
**Cooper et al.** (45) **Date of Patent:** **\*\* Feb. 16, 2021**

(54) **SOFA BED FOR CRUISE SHIP**  
(71) Applicant: **Virgin Cruises Intermediate Limited**,  
Plantation, FL (US)  
(72) Inventors: **Deirdre Cooper**, Hove (GB); **Jaime Douglas**, Fort Lauderdale, FL (US);  
**Luke Pearson**, London (GB); **Tom Lloyd**, London (GB); **Joscha Brose**,  
Berlin (DE)

3,084,351 A 4/1963 Kulp et al.  
3,106,724 A 10/1963 Kamp  
3,110,909 A 11/1963 Bendell  
3,148,385 A 9/1964 Kamp  
3,331,085 A 7/1967 Hopkins  
3,350,725 A 11/1967 Fasanella

(Continued)

**FOREIGN PATENT DOCUMENTS**

DE 20311561 U1 10/2003  
DE 413012 B 10/2005

(Continued)

(\*\*) Term: **15 Years**

(21) Appl. No.: **29/624,375**

(22) Filed: **Oct. 31, 2017**

(51) **LOC (13) Cl.** ..... **06-06**

(52) **U.S. Cl.**  
USPC ..... **D6/381**

(58) **Field of Classification Search**  
USPC ..... D6/334, 335, 336, 361, 367, 368, 374,  
D6/378, 381, 382, 383  
CPC ..... A47C 17/04; A47C 17/045; A47C 17/13;  
A47C 17/132; A47C 17/136  
See application file for complete search history.

**OTHER PUBLICATIONS**

“New Twist (& Slide) on Classic Convertible Couch Paradigm”,  
<http://domob.com/new-twist-slide-on-classic-convertible-couch-paradigm/>, Nov. 4, 2016, 9 pages.

*Primary Examiner* — Deanna L Pratt  
(74) *Attorney, Agent, or Firm* — Norvell IP LLC

(57) **CLAIM**

We claim the ornamental design for the sofa bed for cruise ship, as shown and described.

(56) **References Cited**

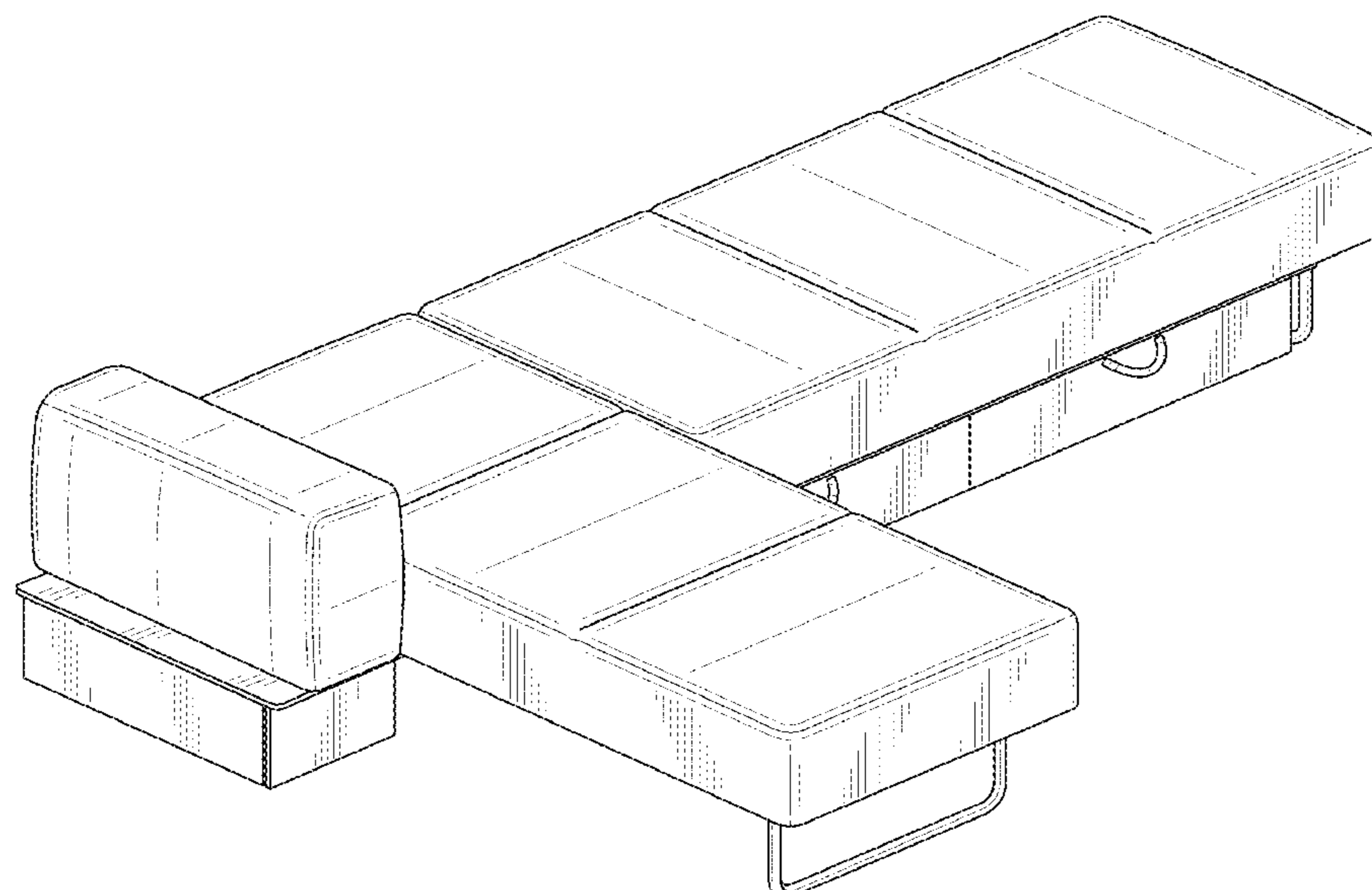
**U.S. PATENT DOCUMENTS**

D162,492 S	3/1951	Tarlazzi	
2,602,937 A	7/1952	Frey	
2,691,174 A	10/1954	Harrison	
D175,877 S *	10/1955	Bartolucci	..... D6/381
2,783,480 A	3/1957	Shankman	
2,899,691 A	8/1959	Davis et al.	
2,955,297 A	10/1960	Bailey	
2,997,723 A	8/1961	Nicassio	
3,015,112 A	1/1962	Wachsman	
3,035,277 A	5/1962	Sproule	
3,049,723 A	8/1962	Thierfelder	
3,058,123 A	10/1962	Pink et al.	
3,059,247 A	10/1962	Shlaes	
3,076,977 A	2/1963	Maguire	

**DESCRIPTION**

FIG. 1 is a first perspective view of a first embodiment of the sofa bed for cruise ship of the present invention.  
FIG. 2 is a front view of the invention shown in FIG. 1.  
FIG. 3 is a rear view of the invention shown in FIG. 1.  
FIG. 4 is a side view of the invention shown in FIG. 1.  
FIG. 5 is a second side view of the invention shown in FIG. 1.  
FIG. 6 is a top view of the invention shown in FIG. 1; and, FIG. 7 is a bottom view of the invention shown in FIG. 1.  
The ornamental design which is claimed is shown in the solid lines in the drawings.

**1 Claim, 7 Drawing Sheets**



(56)

**References Cited**

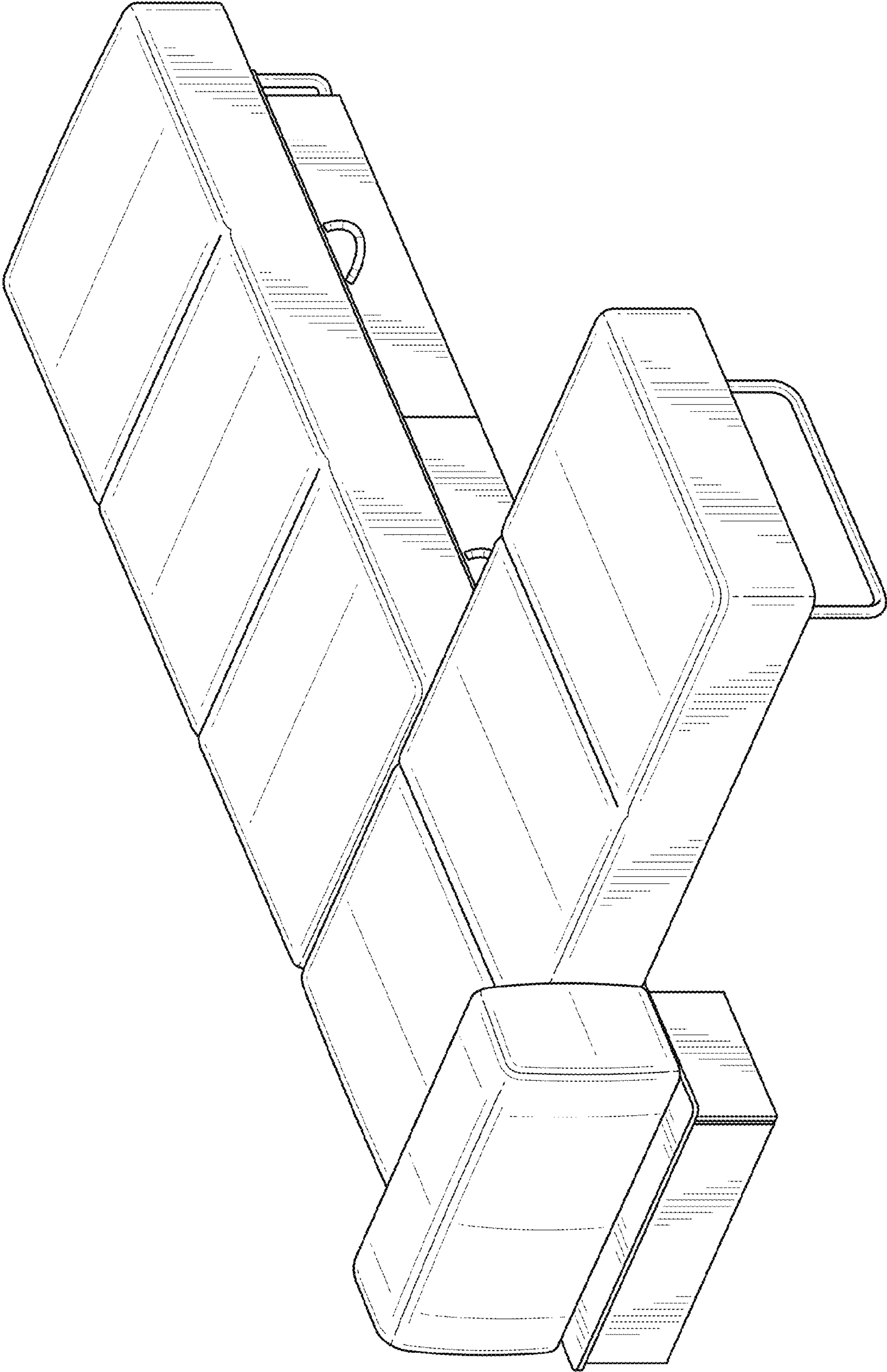
U.S. PATENT DOCUMENTS

3,972,079	A	8/1976	Shellow et al.	
3,059,246	A	10/1982	Shlaes	
D270,403	S *	9/1983	Matthias .....	D6/378
D290,559	S *	6/1987	Raftery .....	D6/378
D290,788	S *	7/1987	Raftery .....	D6/355
5,483,708	A	1/1996	Binfare	
D448,196	S *	9/2001	Gomez .....	D6/377
D576,820	S *	9/2008	Priestman .....	D12/345
D577,505	S *	9/2008	Kleene .....	D6/381
D580,677	S *	11/2008	Kleene .....	D6/381
D586,146	S *	2/2009	Mourgue .....	D6/381
D587,028	S *	2/2009	Mourgue .....	D6/381
D587,029	S *	2/2009	Mourgue .....	D6/381
D699,460	S *	2/2014	Bosman .....	D6/371
D720,943	S *	1/2015	Pathiratne .....	D6/381
D731,198	S *	6/2015	Podsiadlo .....	D6/381
D736,535	S *	8/2015	Foersom .....	D6/377
D743,181	S *	11/2015	Cardona .....	D6/381
D807,075	S *	1/2018	Ou .....	D6/381
D874,173	S *	2/2020	Carter .....	D6/361
D897,715	S *	10/2020	Smrstick .....	D6/377
2003/0189364	A1	10/2003	Friedman	
2010/0235985	A1	9/2010	Singer	

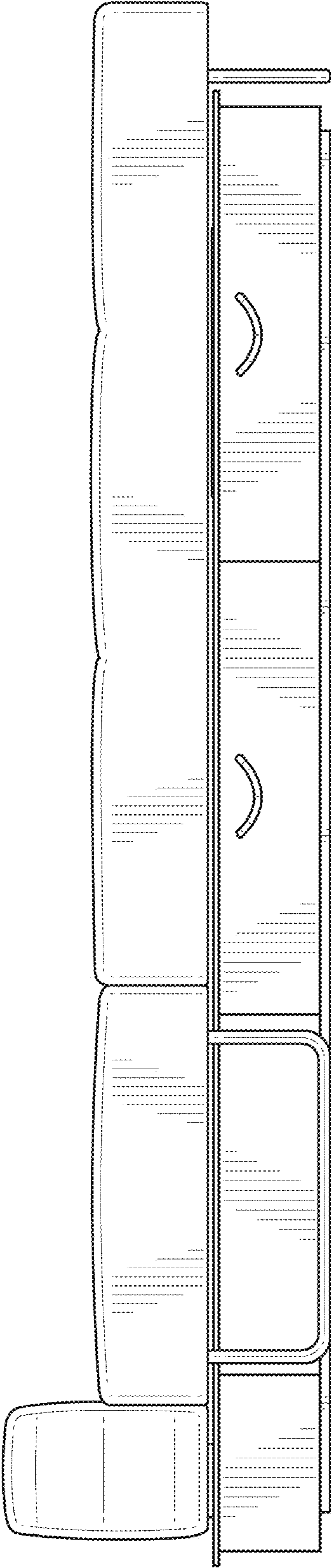
FOREIGN PATENT DOCUMENTS

EP		1020143	B1	4/2003	
WO		WOO150920	A1	7/2001	
WO		WO-2019089320	A1 *	5/2019	..... B63B 29/025

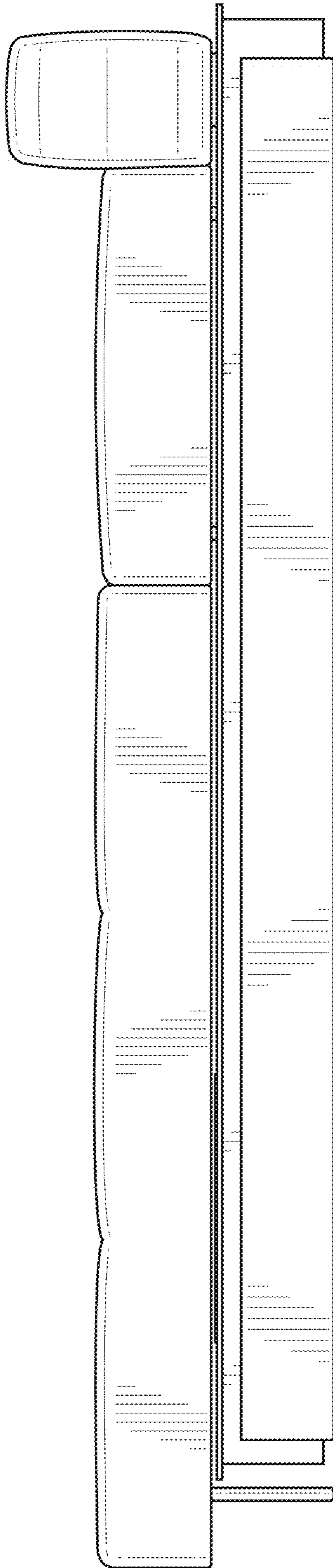
\* cited by examiner



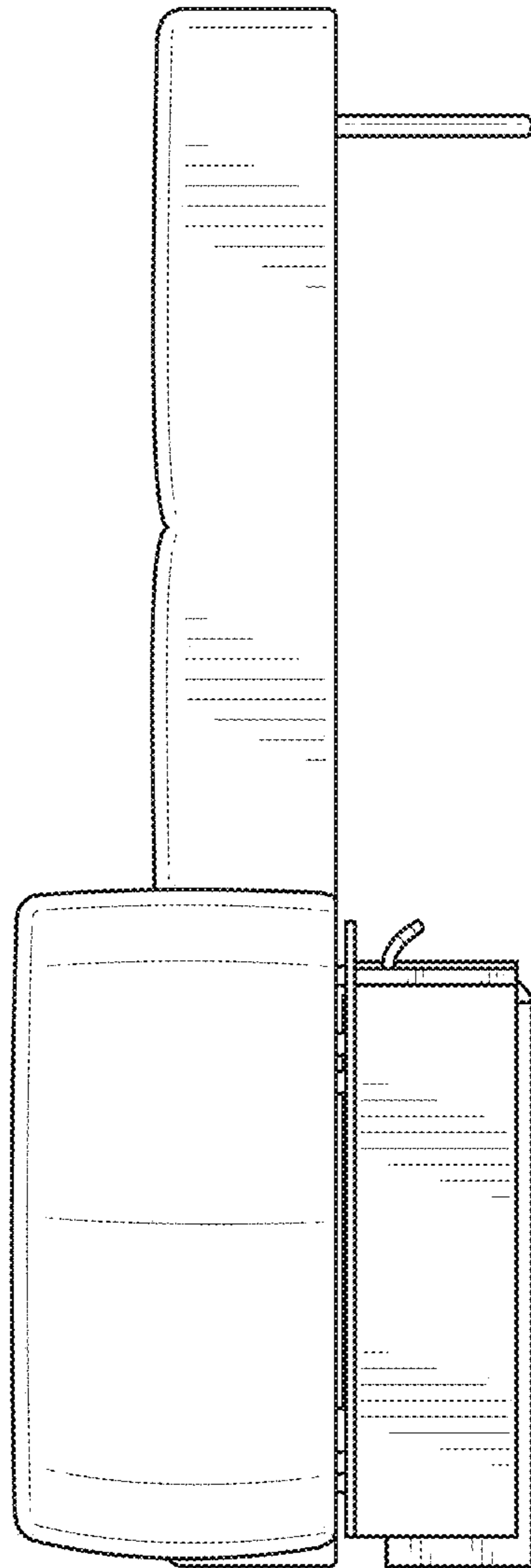
**FIG. 1**



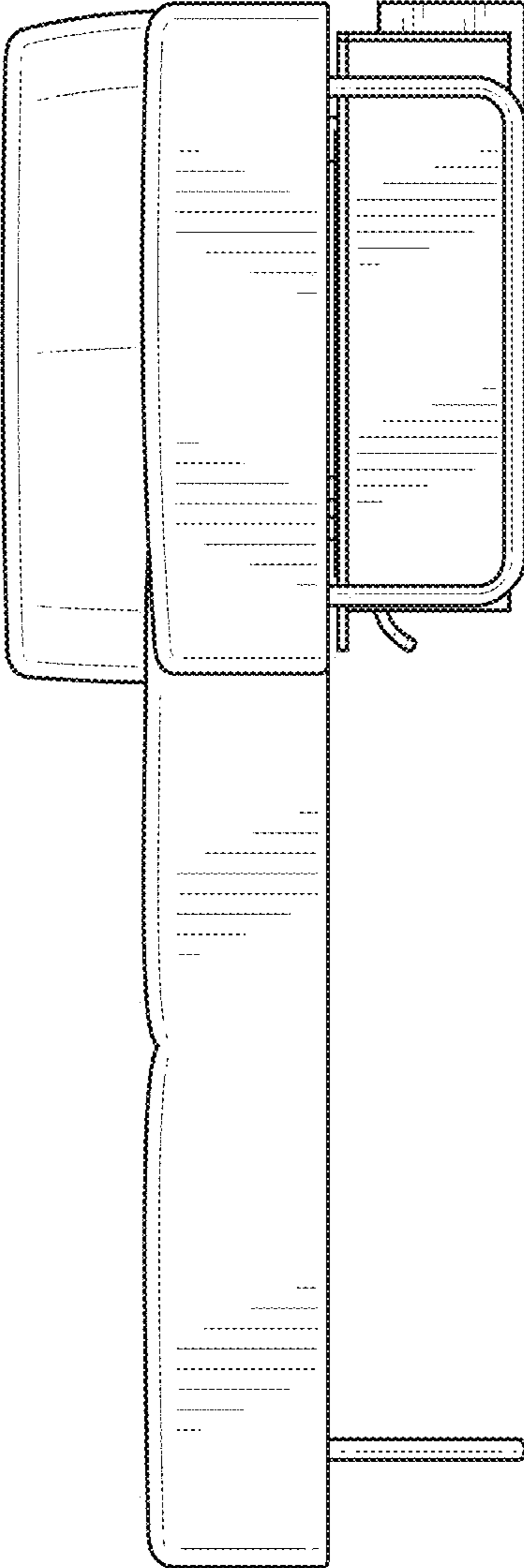
**FIG. 2**



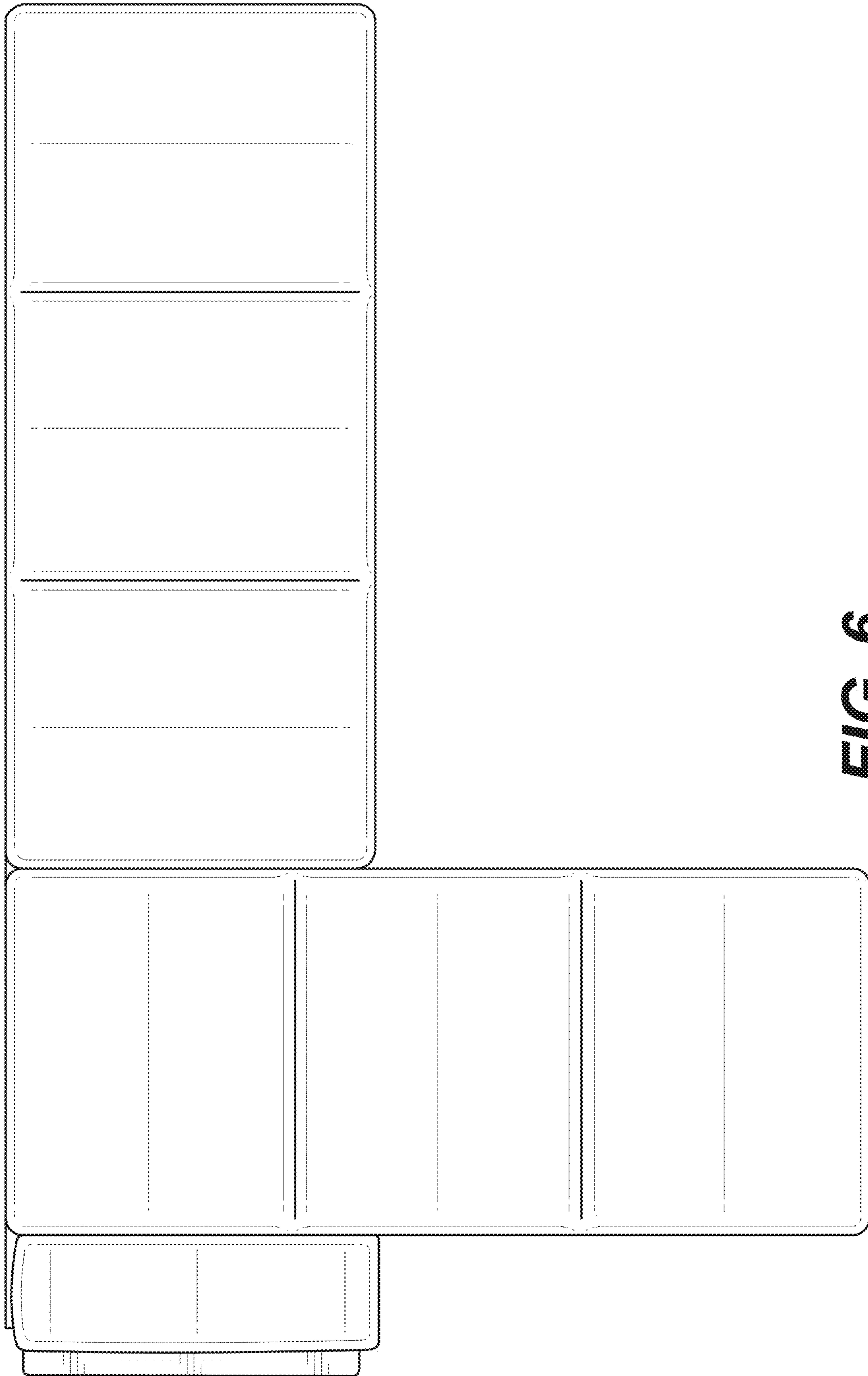
**FIG. 3**



**FIG. 4**

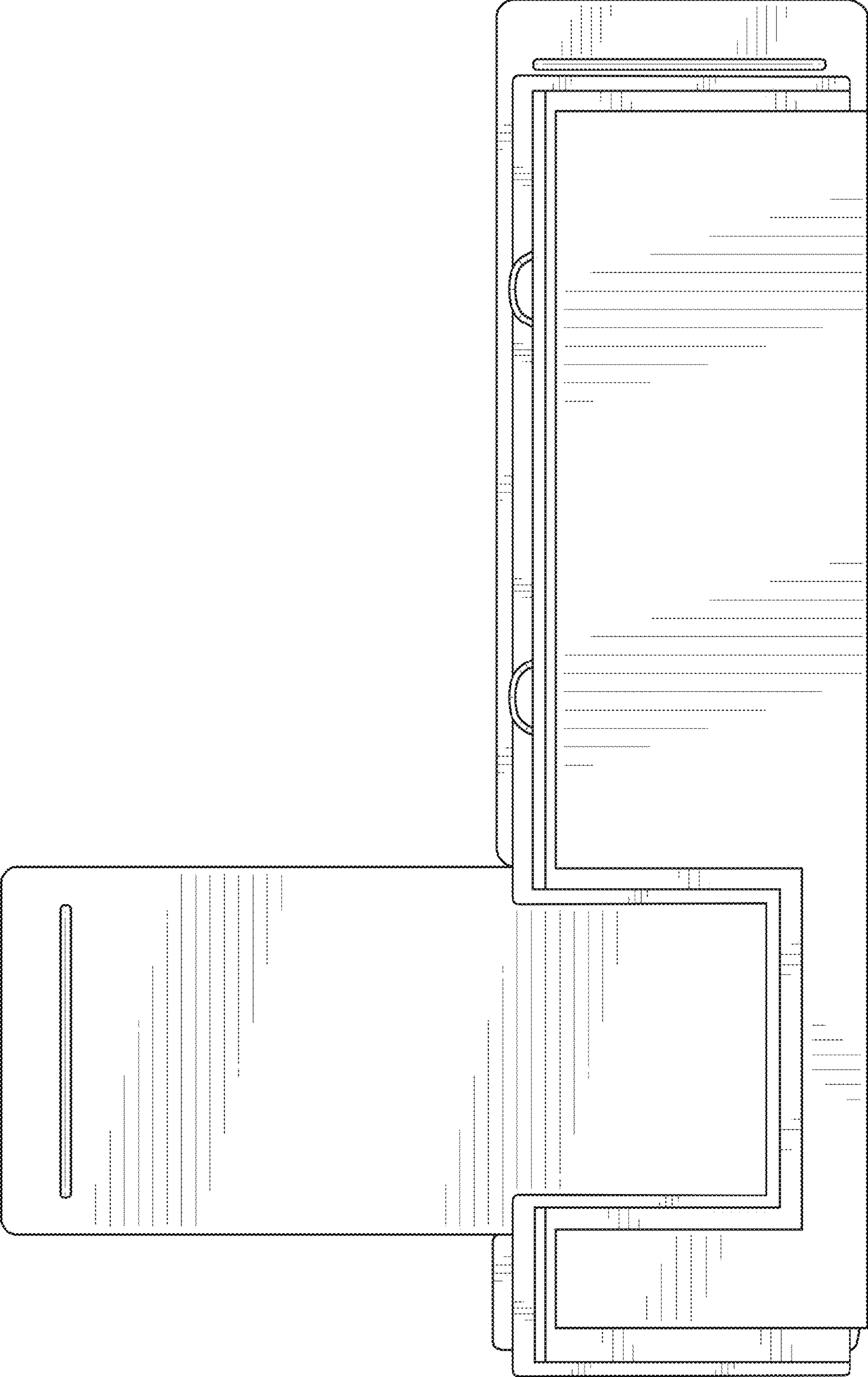


**FIG. 5**



**FIG. 6**





**FIG. 7**