



US00D910330S

(12) **United States Design Patent**  
**Li**

(10) **Patent No.:** **US D910,330 S**

(45) **Date of Patent:** **\*\* Feb. 16, 2021**

(54) **CHAIR**

(71) Applicant: **39F USA INC**, Rancho Cucamonga, CA (US)

(72) Inventor: **Yuehai Li**, Rancho Cucamonga, CA (US)

(\*\*) Term: **15 Years**

(21) Appl. No.: **29/715,869**

(22) Filed: **Dec. 5, 2019**

(51) **LOC (13) Cl.** ..... **06-01**

(52) **U.S. Cl.**  
USPC ..... **D6/366**

(58) **Field of Classification Search**  
USPC ..... D6/334, 364, 365, 366, 369, 375, 379,  
D6/716.1, 716.7

CPC .... A47C 3/12; A47C 3/18; A47C 3/20; A47C  
5/02; A47C 7/24; A47C 7/36; A47C 7/46

See application file for complete search history.

(56) **References Cited**

**U.S. PATENT DOCUMENTS**

D204,374 S \* 4/1966 Bergstrom ..... D6/364  
4,053,129 A \* 10/1977 Graff ..... A47C 7/004  
248/188.7  
D408,162 S \* 4/1999 Olson ..... D6/366  
D553,376 S \* 10/2007 Nakamura ..... D6/366

D572,930 S \* 7/2008 Frnier ..... D6/369  
D596,864 S \* 7/2009 Bergmann ..... D6/369  
D603,177 S \* 11/2009 Kubryk ..... D6/366  
D612,175 S \* 3/2010 Kubryk ..... D6/716  
D648,158 S \* 11/2011 Kubryk ..... D6/716  
D687,233 S \* 8/2013 Pedersen ..... D6/369  
D846,295 S \* 4/2019 Tham ..... D6/369  
D893,909 S \* 8/2020 Zhong ..... D6/366  
D899,795 S \* 10/2020 Hale ..... D6/334

**FOREIGN PATENT DOCUMENTS**

EP 2110050 A1 \* 10/2009 ..... A47C 1/03255

\* cited by examiner

*Primary Examiner* — R. Johnson

(74) *Attorney, Agent, or Firm* — Feng Qian

(57) **CLAIM**

The ornamental design for a chair, as shown and described.

**DESCRIPTION**

FIG. 1 is a front perspective view of a chair showing my new design;

FIG. 2 is a front elevation view thereof;

FIG. 3 is a rear elevation view thereof;

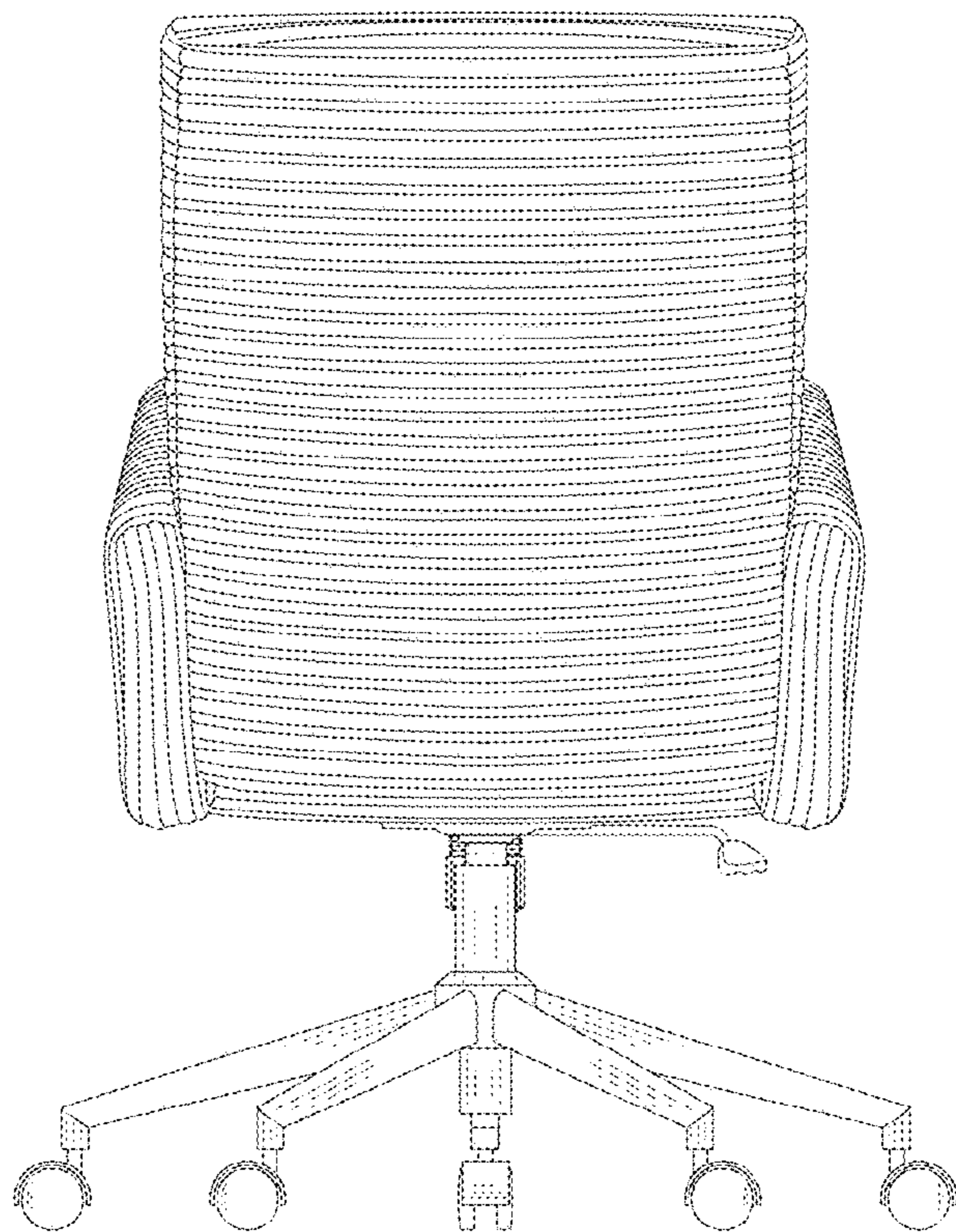
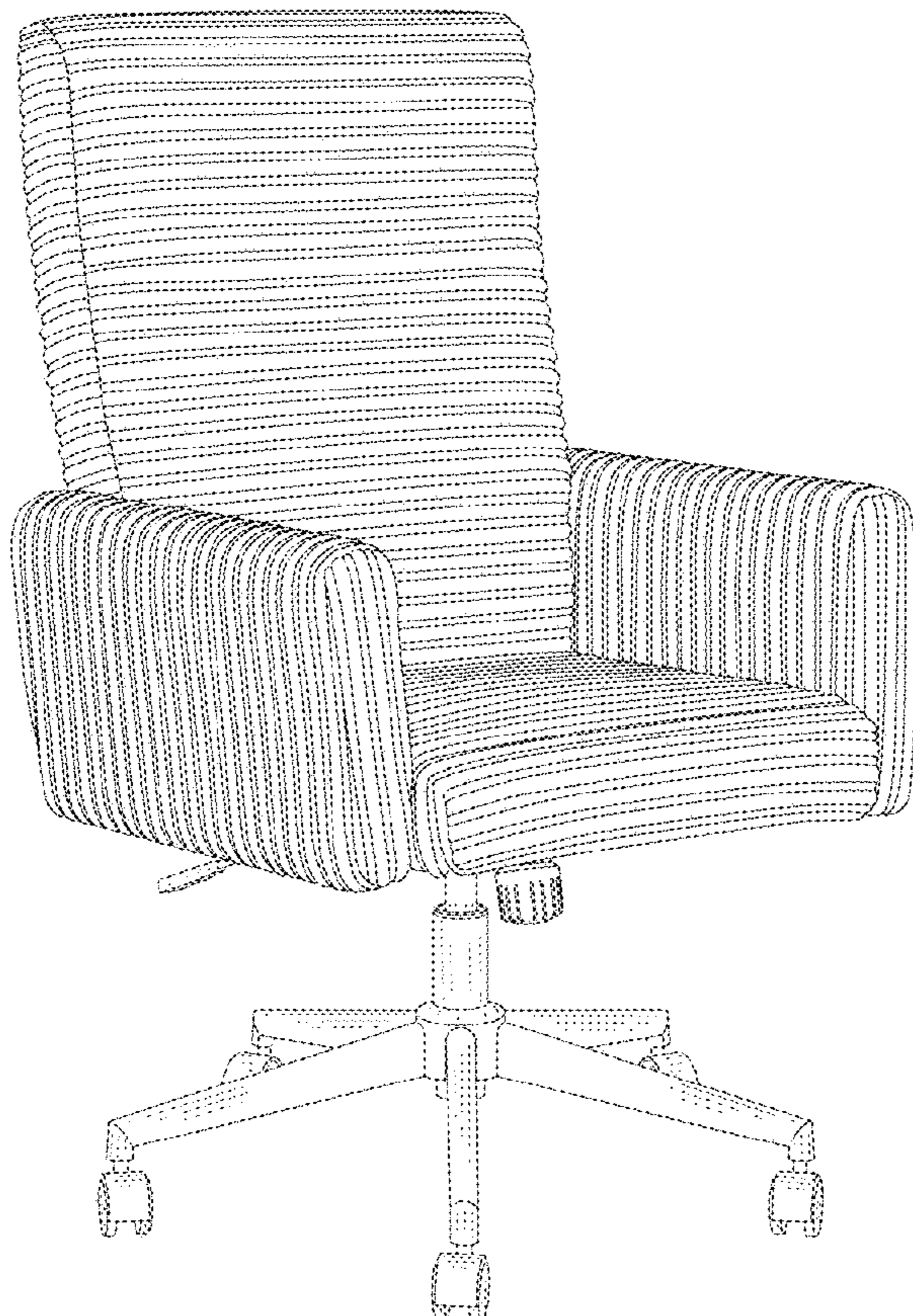
FIG. 4 is a left-side elevation view thereof;

FIG. 5 is a right-side elevation view thereof;

FIG. 6 is a top plan view thereof; and,

FIG. 7 is a bottom plan view thereof.

**1 Claim, 7 Drawing Sheets**



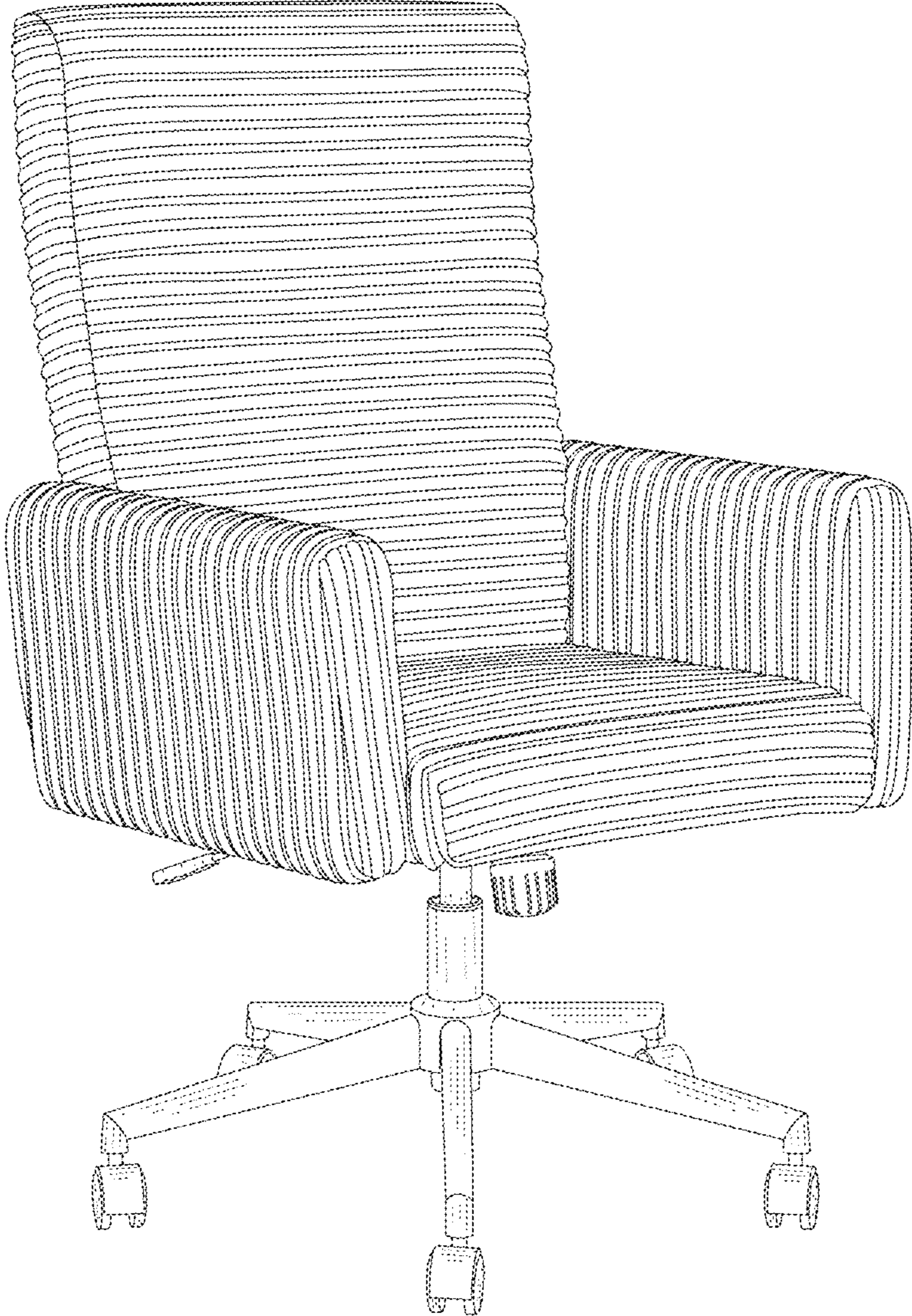


Fig.1

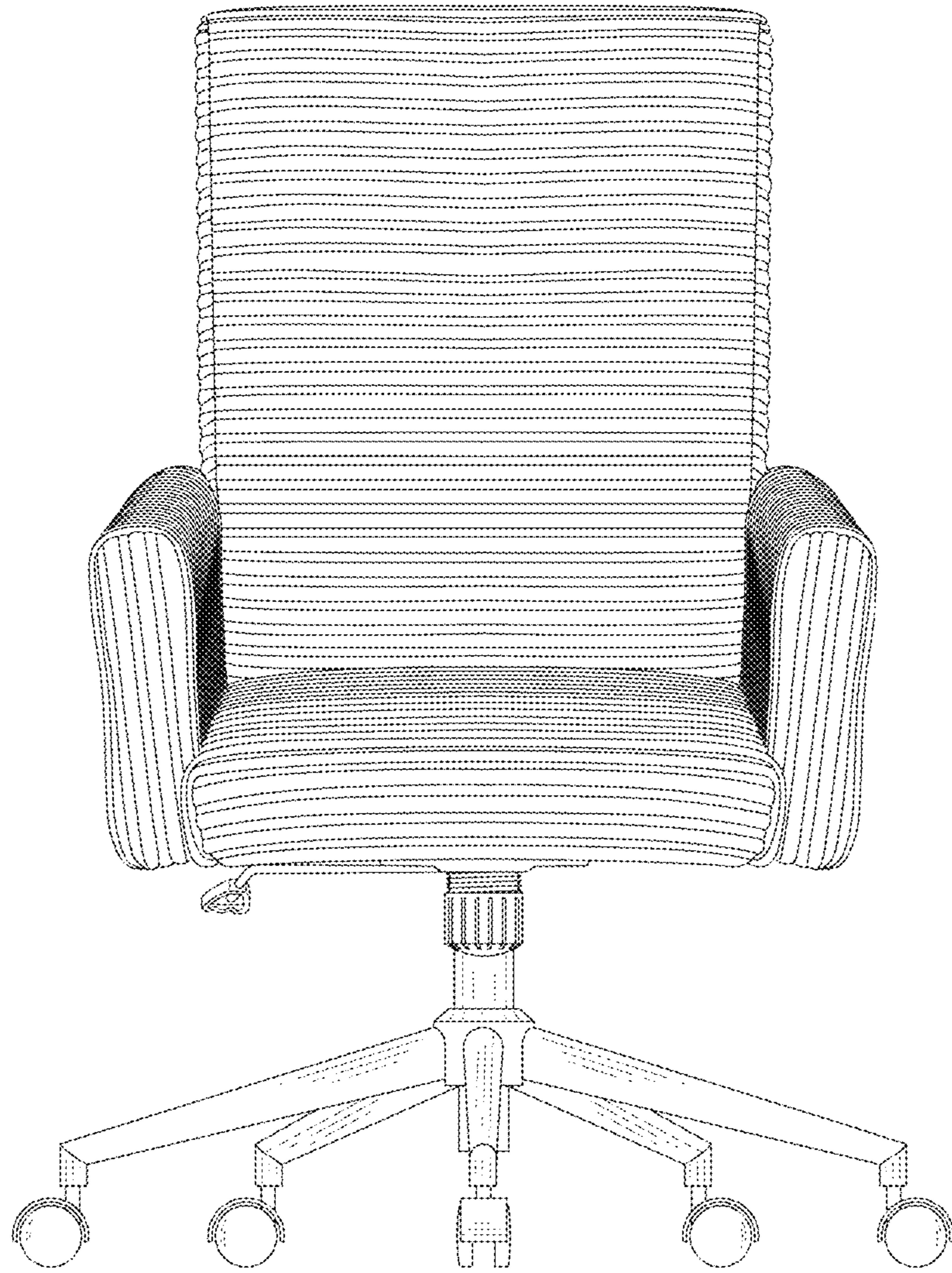


Fig.2

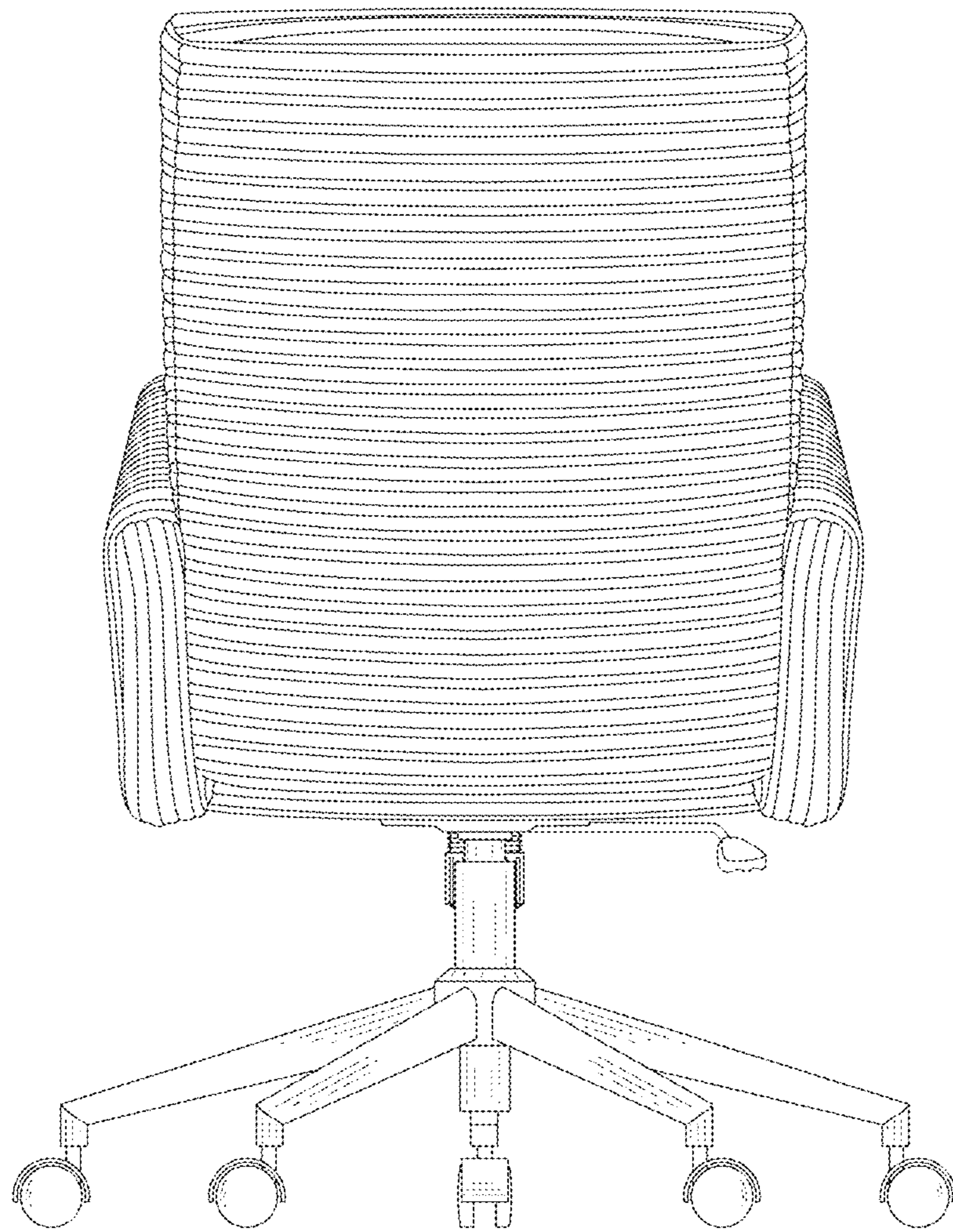


Fig.3

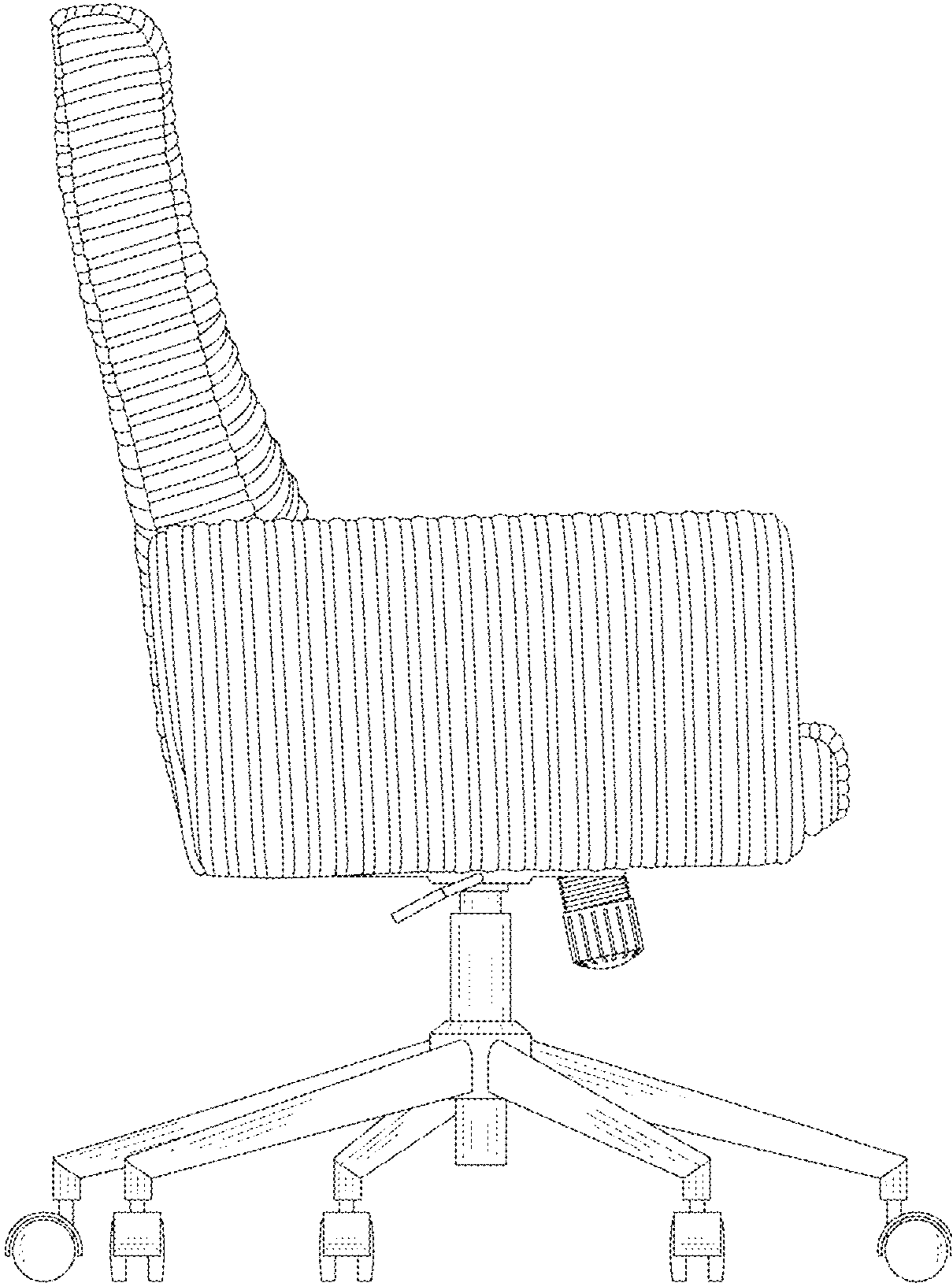


Fig.4

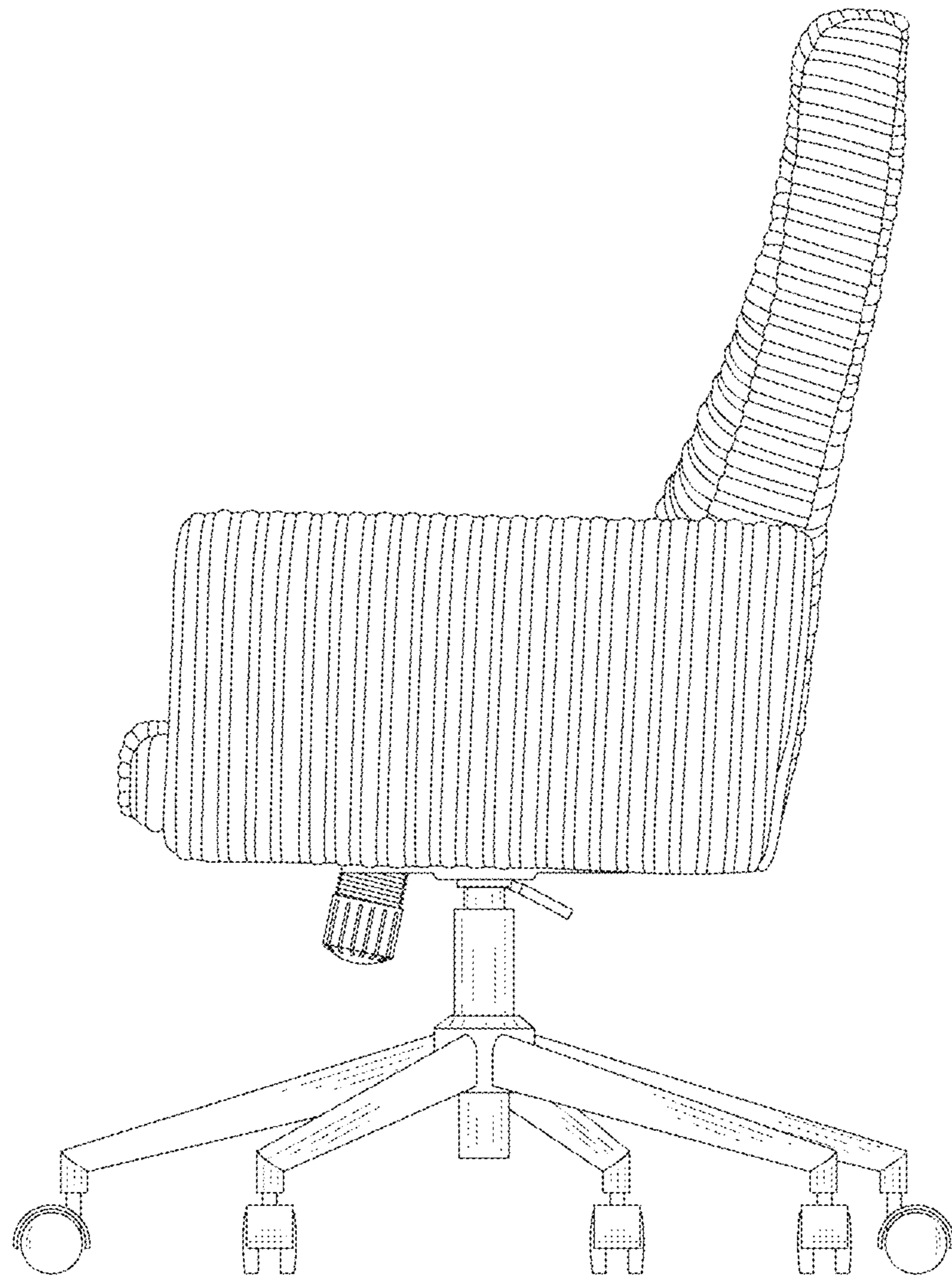


Fig.5

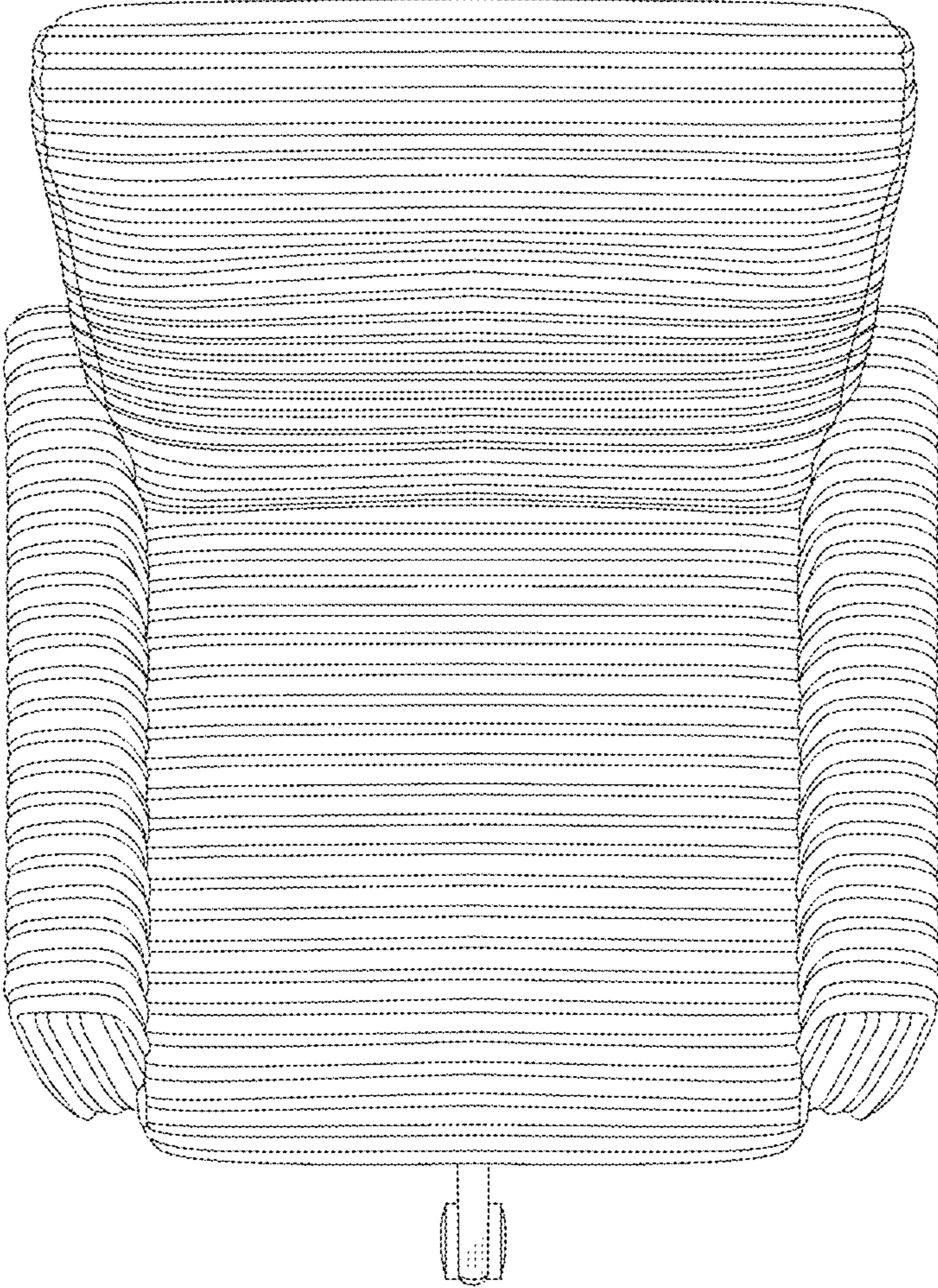


Fig.6

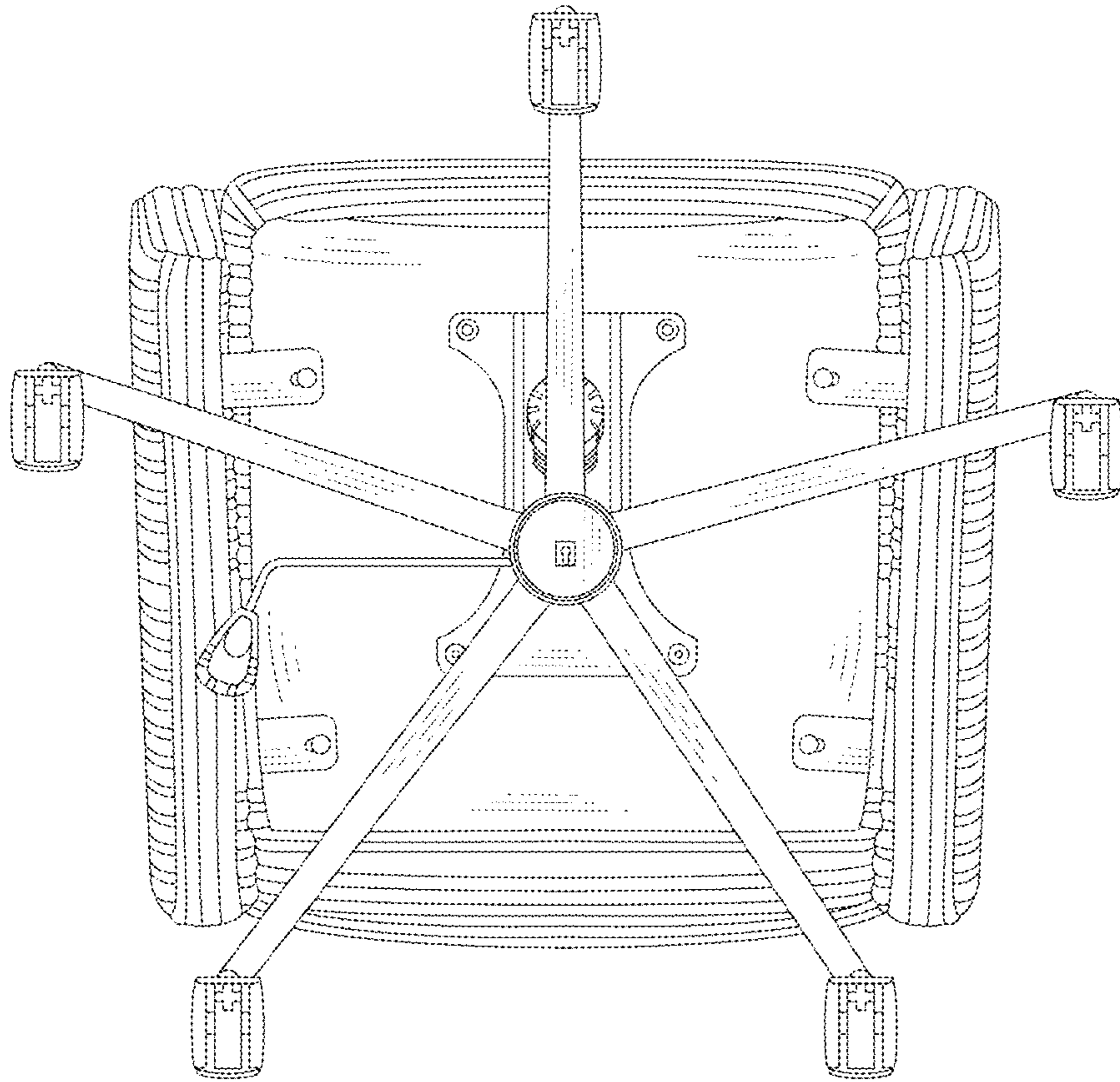


Fig.7