



US00D910328S

(12) **United States Design Patent**
Li

(10) **Patent No.:** **US D910,328 S**

(45) **Date of Patent:** **** Feb. 16, 2021**

(54) **CHAIR**

(71) Applicant: **39F USA INC**, Rancho Cucamonga,
CA (US)

(72) Inventor: **Yuehai Li**, Rancho Cucamonga, CA
(US)

(**) Term: **15 Years**

(21) Appl. No.: **29/711,776**

(22) Filed: **Nov. 2, 2019**

(51) **LOC (13) Cl.** **06-01**

(52) **U.S. Cl.**
USPC **D6/366**

(58) **Field of Classification Search**
USPC D6/334, 364, 365, 366, 369, 375, 379,
D6/716.1, 716.7

CPC A47C 3/12; A47C 3/18; A47C 3/20; A47C
5/02; A47C 7/24; A47C 7/36; A47C 7/46
See application file for complete search history.

(56) **References Cited**

U.S. PATENT DOCUMENTS

3,823,980 A * 7/1974 Harnick A47C 7/185
297/452.14
D249,302 S * 9/1978 Ruf D6/366

D417,795 S * 12/1999 Rashid D6/375
D596,871 S * 7/2009 Farber D6/375
D638,231 S * 5/2011 Lievore D6/375
D649,801 S * 12/2011 Salto D6/375
D741,615 S * 10/2015 Morrison D6/375
D886,480 S * 6/2020 Feng D6/366
D893,896 S * 8/2020 Hubert D6/334
2004/0212244 A1 * 10/2004 Wu A47C 5/12
297/452.65
2007/0257176 A1 * 11/2007 Lai A47C 7/006
248/440.1

* cited by examiner

Primary Examiner — R. Johnson

(74) *Attorney, Agent, or Firm* — Feng Qian

(57) **CLAIM**

The ornamental design for a chair, as shown and described.

DESCRIPTION

FIG. 1 front perspective view of a chair showing my new design;

FIG. 2 is a front elevation view thereof;

FIG. 3 is a rear elevation view thereof;

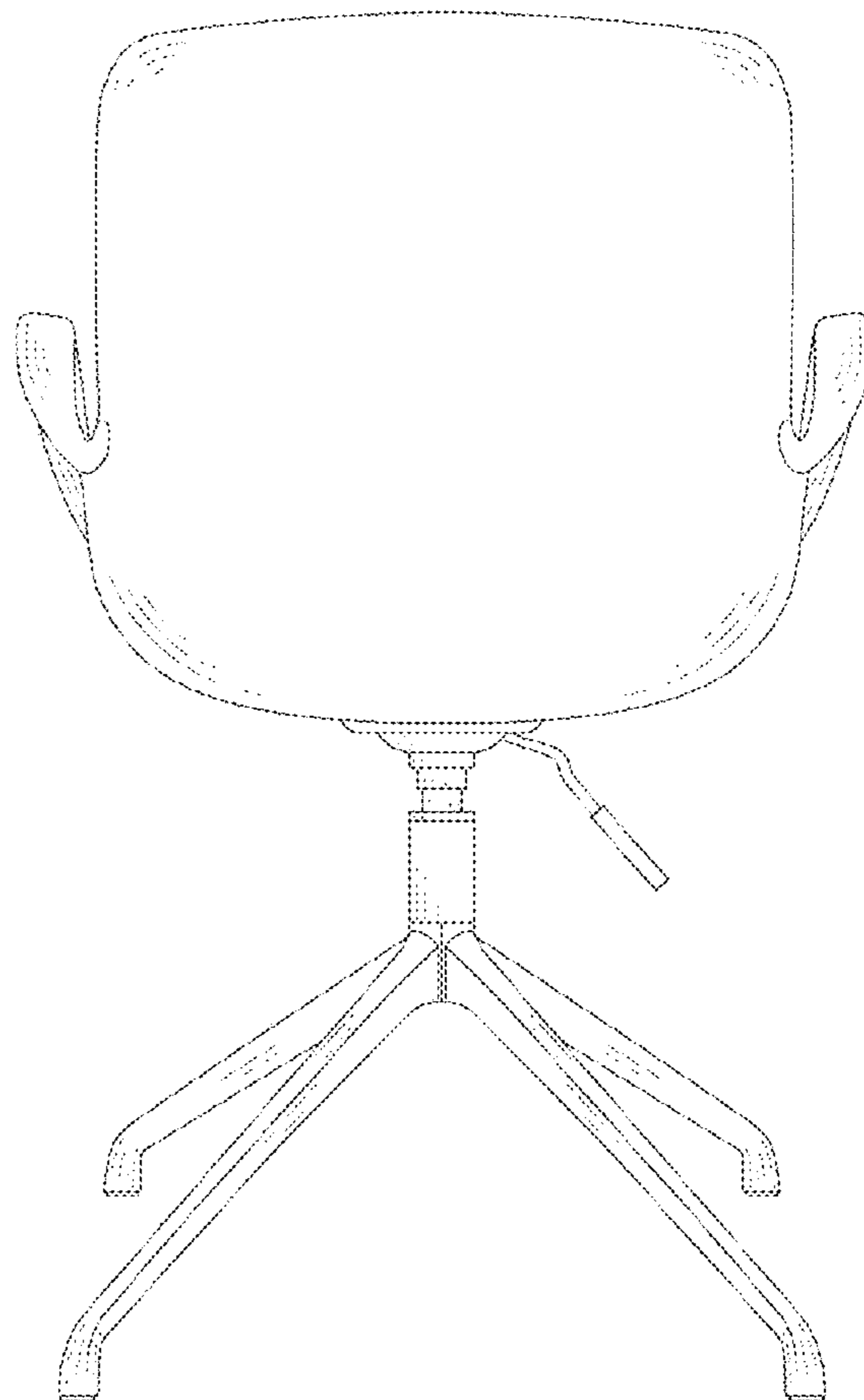
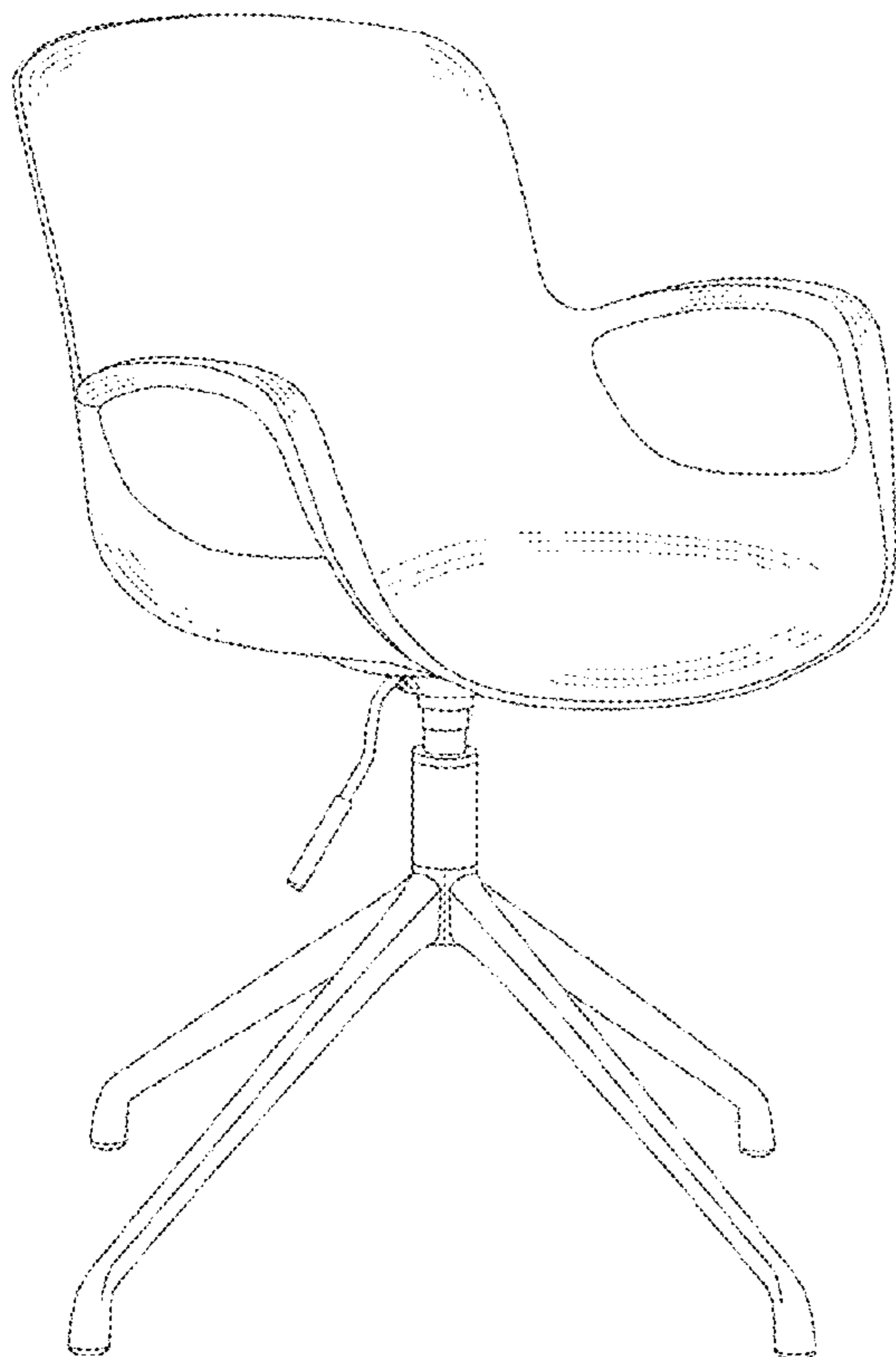
FIG. 4 is a left-side elevation view thereof;

FIG. 5 is a right-side elevation view thereof;

FIG. 6 is a top plan view thereof; and,

FIG. 7 is a bottom plan view thereof.

1 Claim, 7 Drawing Sheets



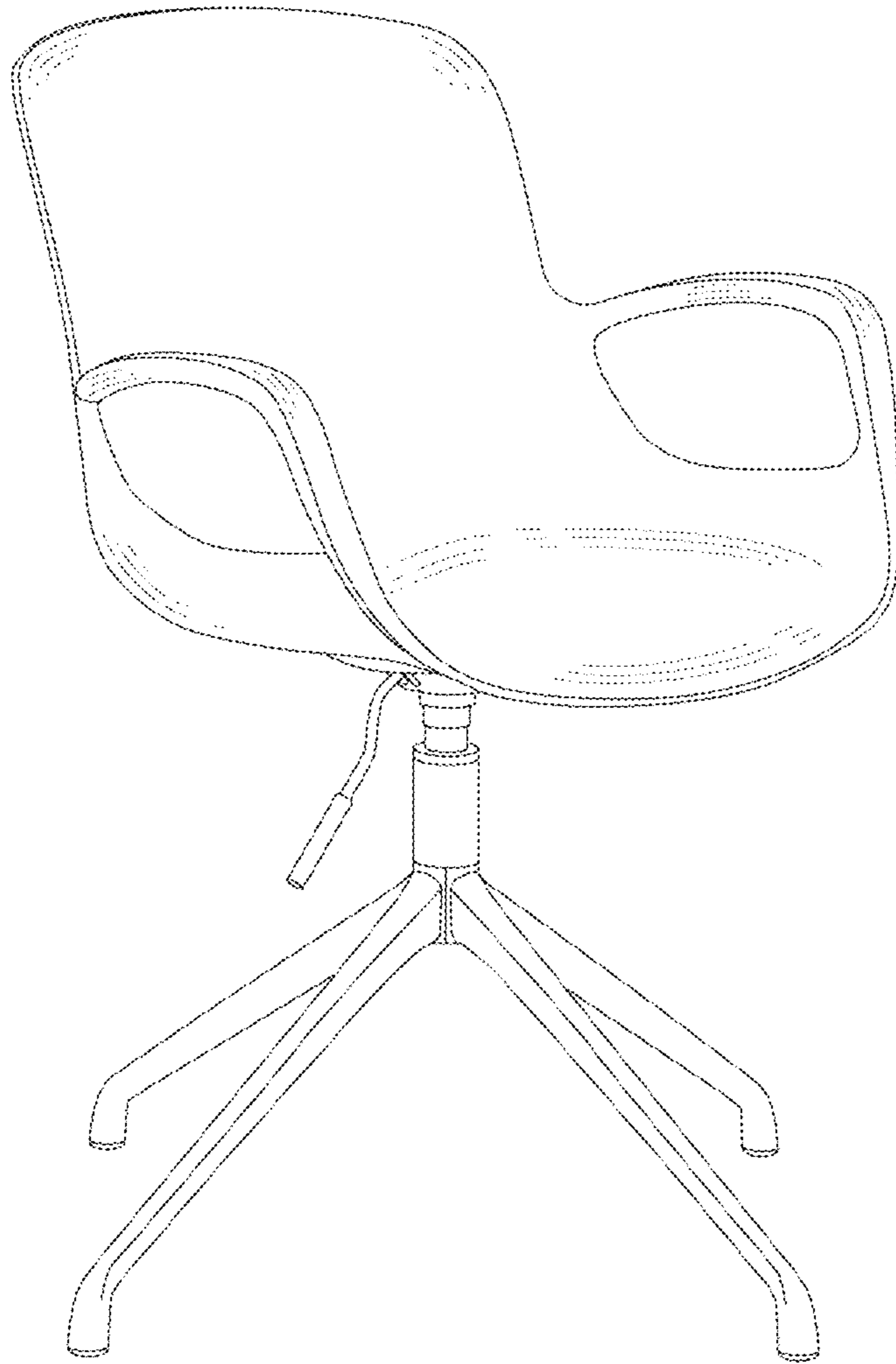


Fig.1

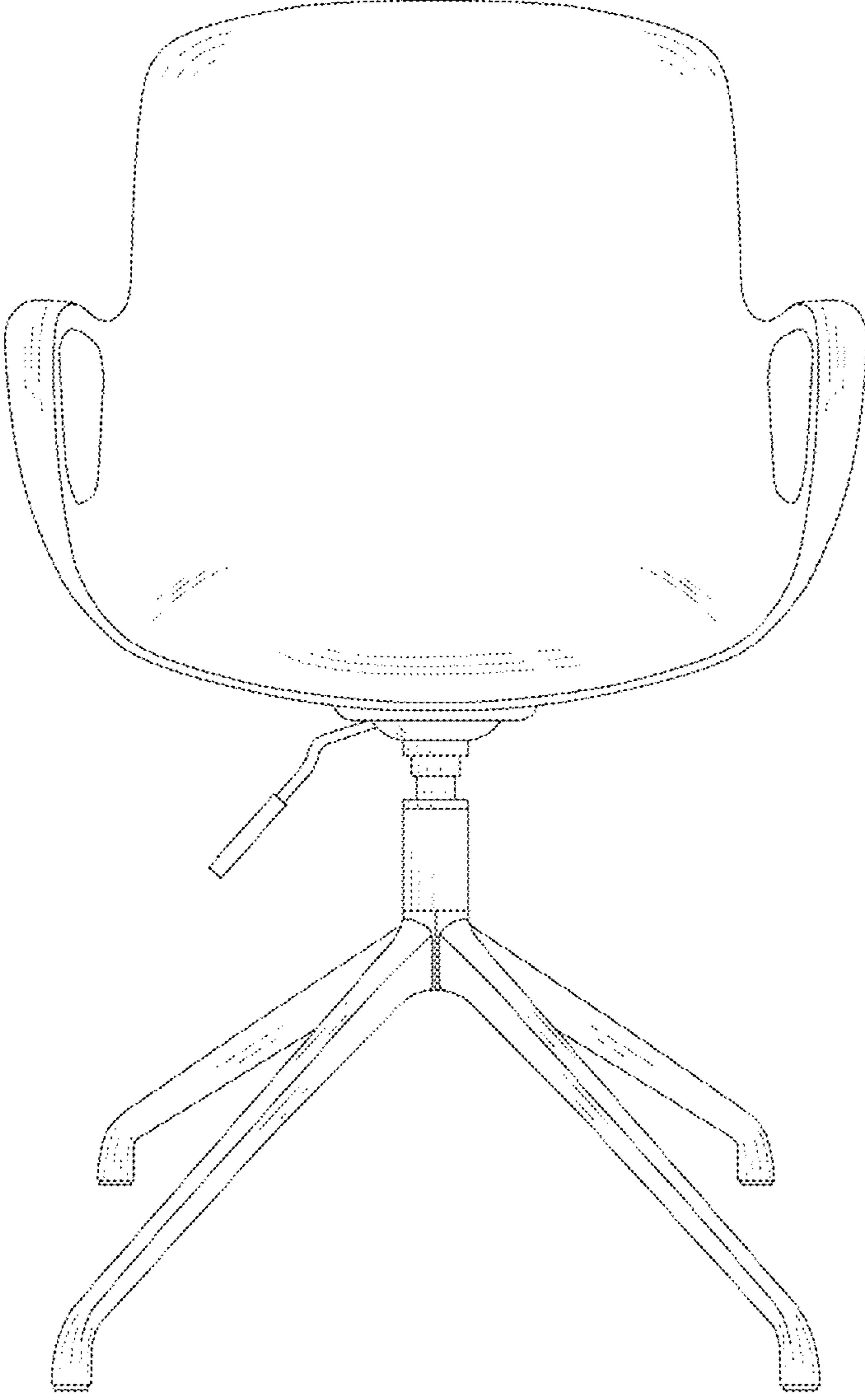


Fig.2

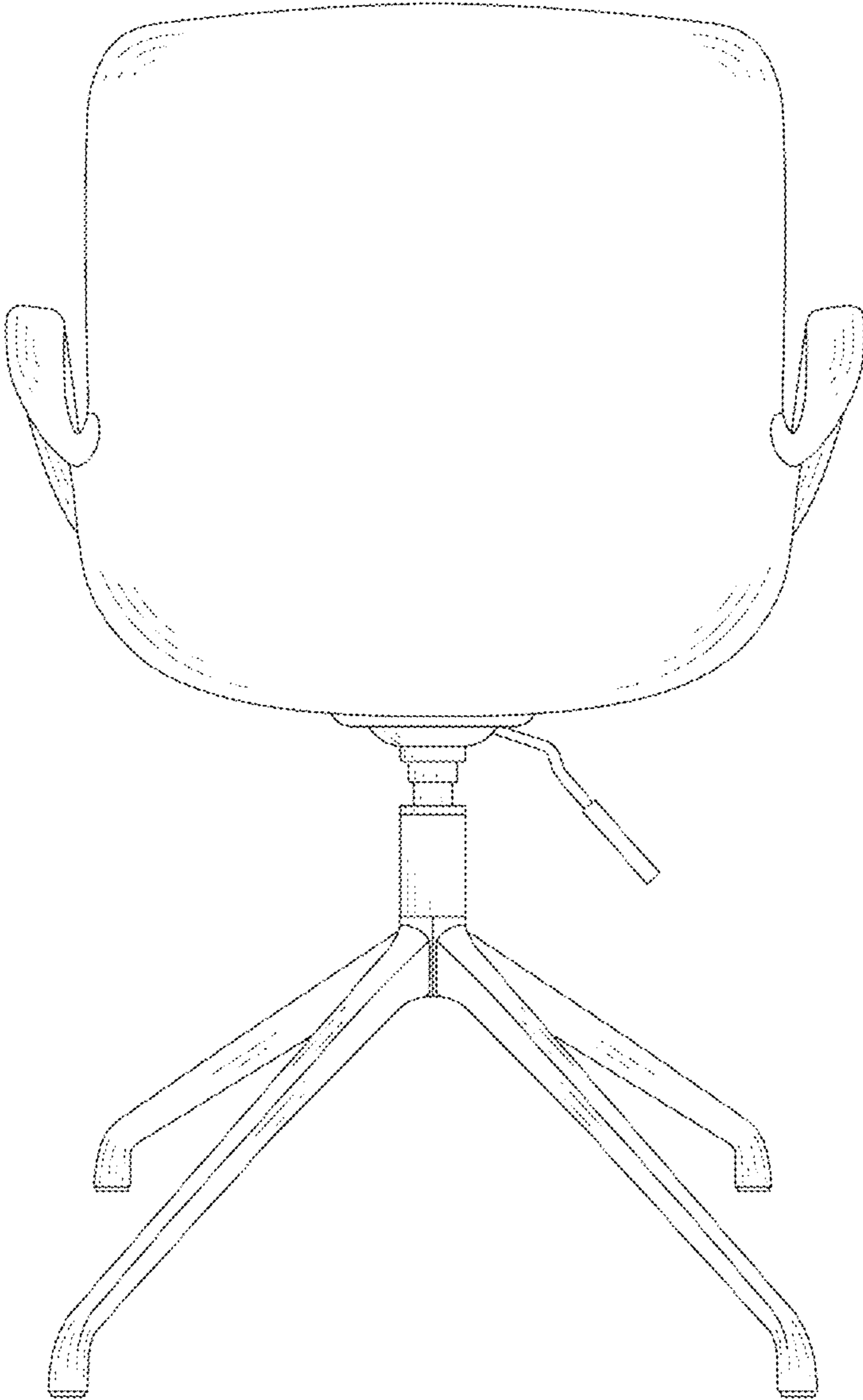


Fig.3

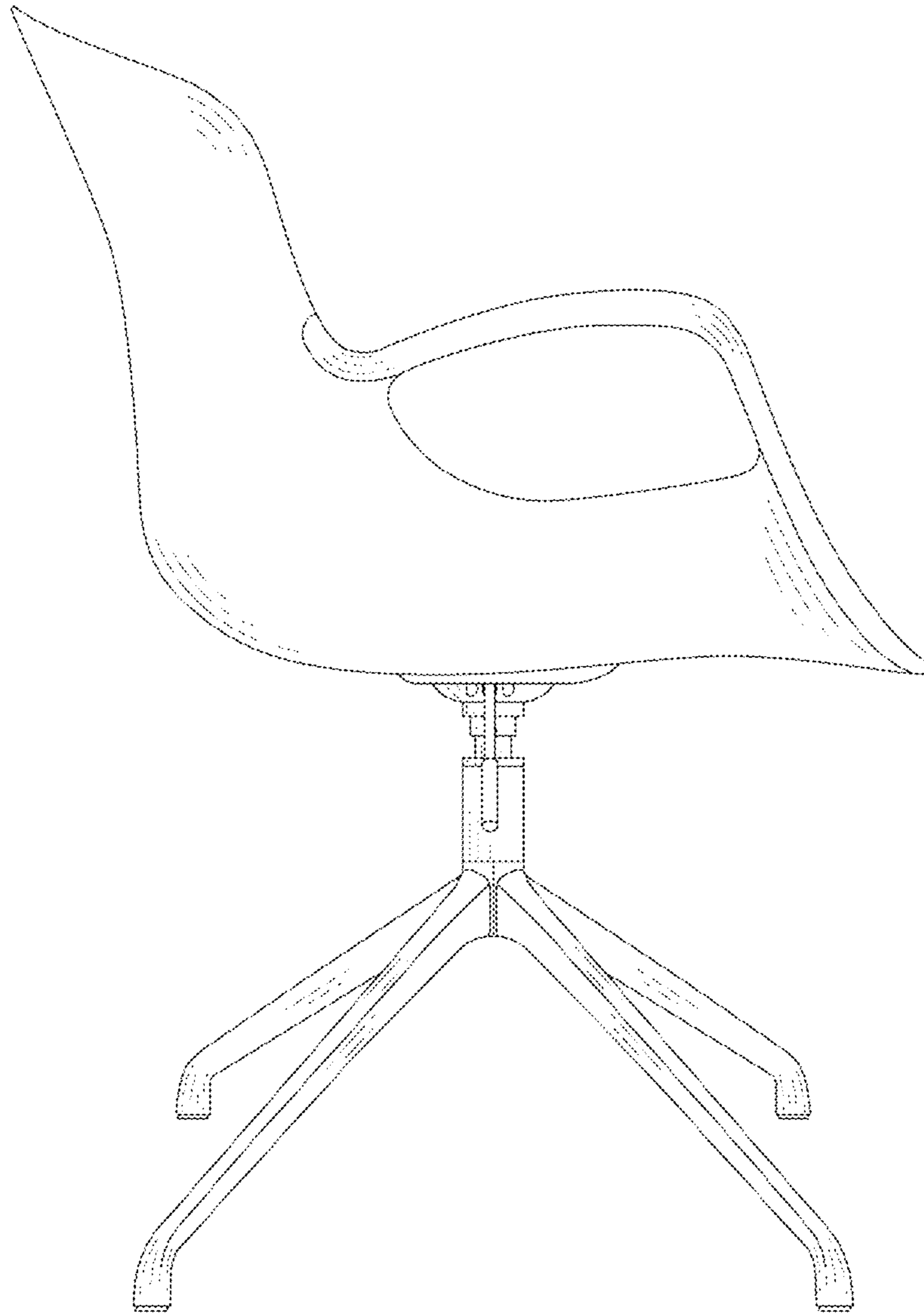


Fig.4

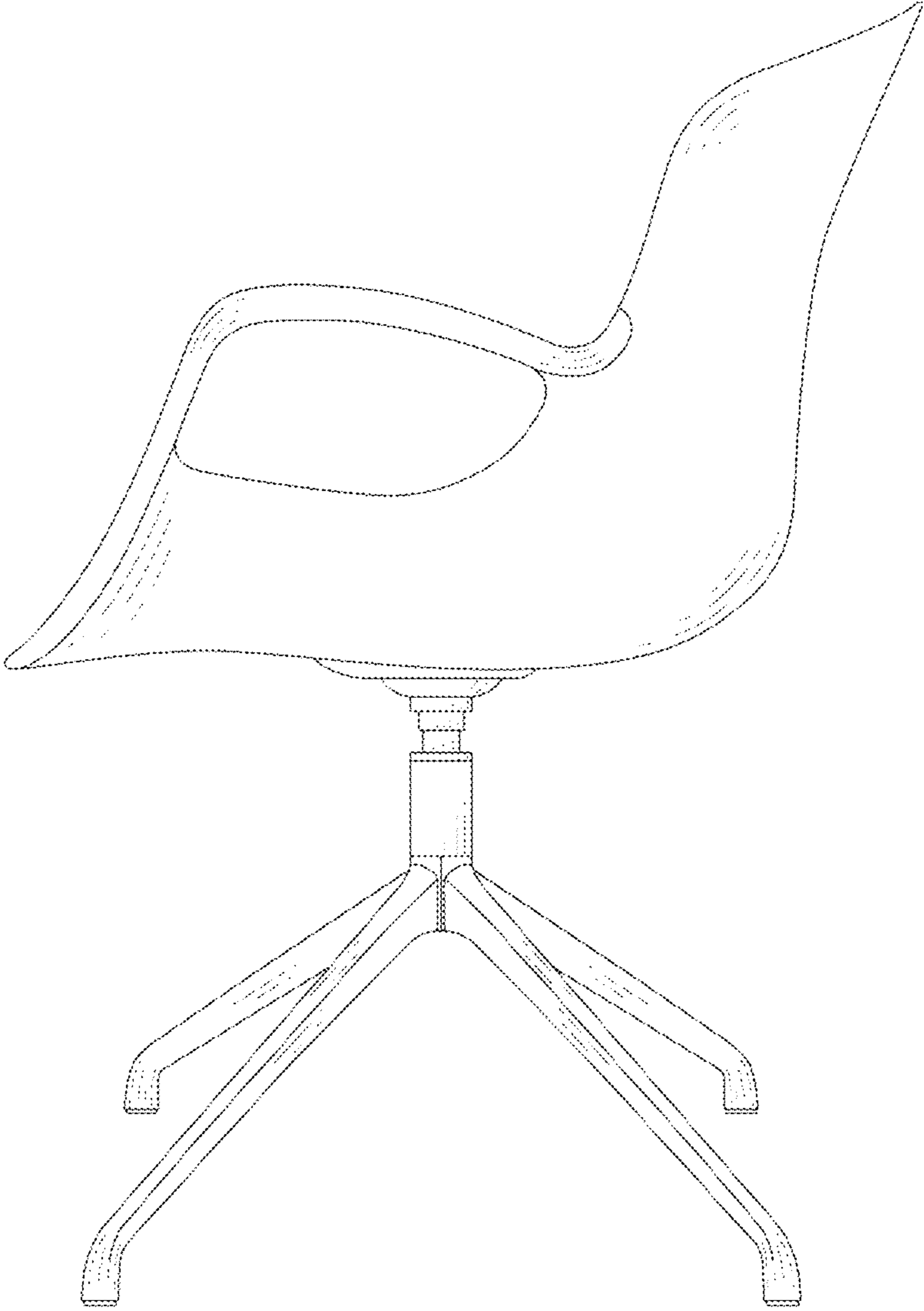


Fig.5

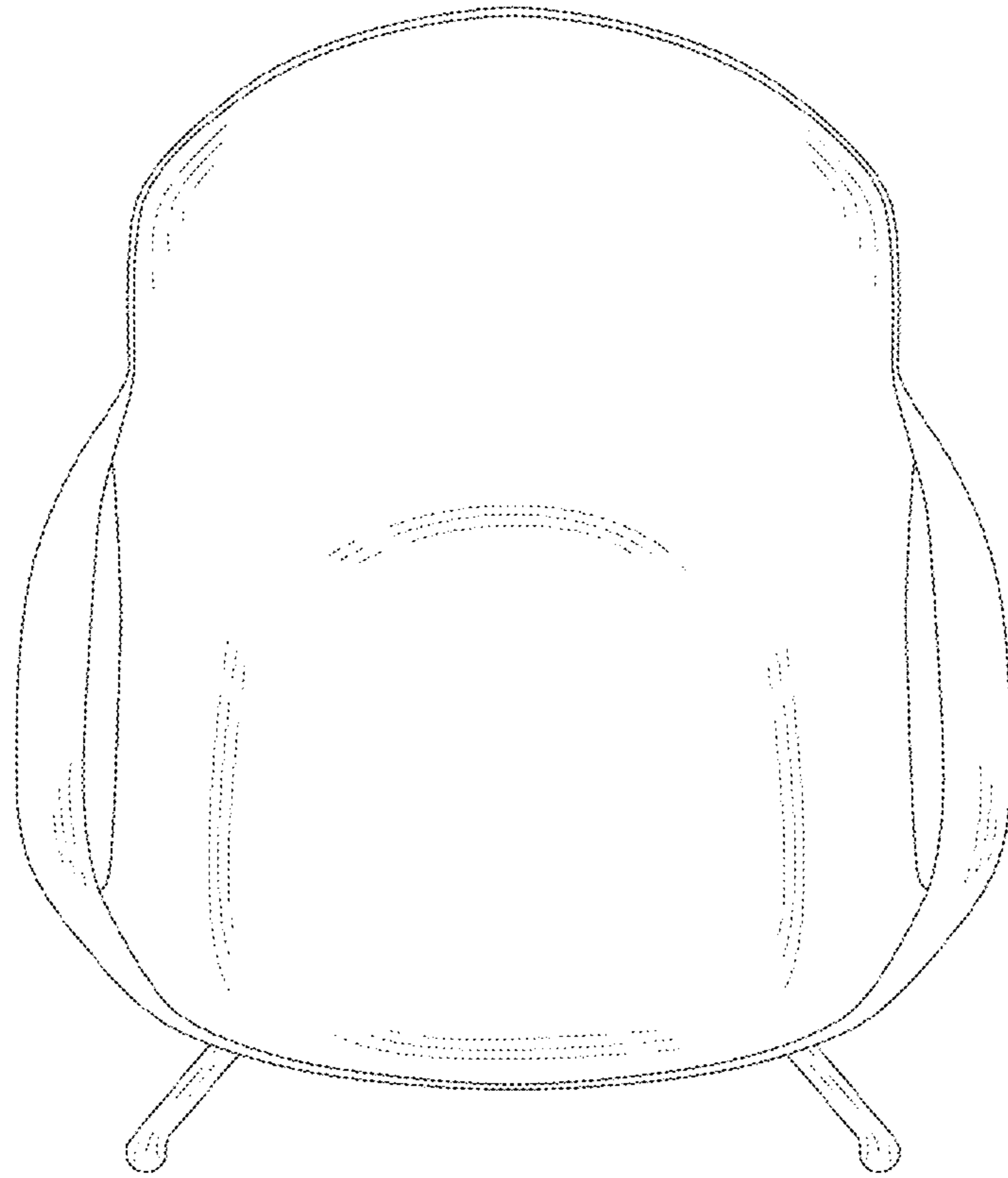


Fig.6

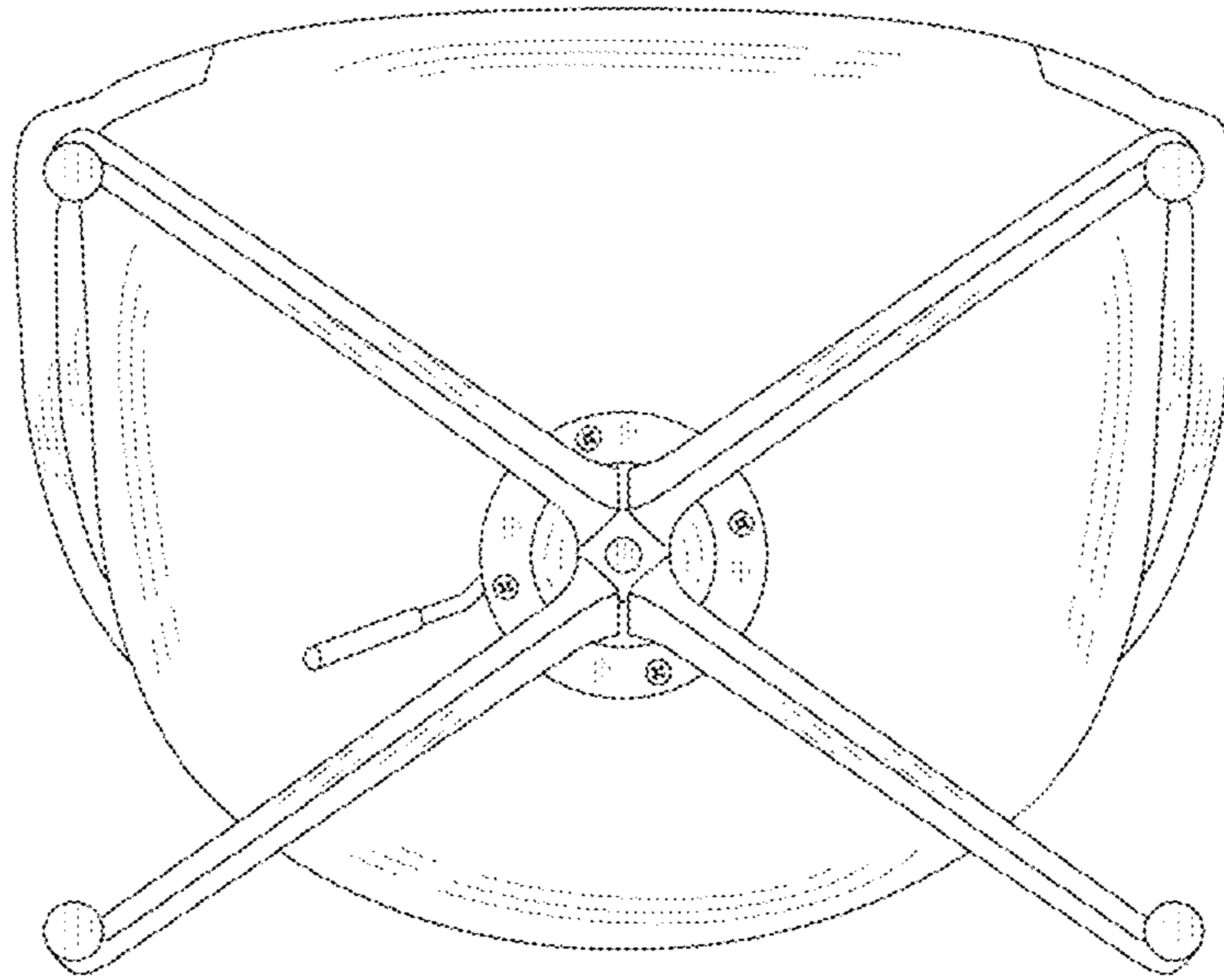


Fig.7