



US00D910327S

(12) **United States Design Patent** (10) **Patent No.:** **US D910,327 S**
Xu (45) **Date of Patent:** **** Feb. 16, 2021**

(54) **SWIVEL CHAIR**
(71) Applicant: **Li-Hong Xu**, Shen Zhen (CN)
(72) Inventor: **Li-Hong Xu**, Shen Zhen (CN)
(73) Assignee: **Li-Hong Xu**, Shen Zhen (CN)
(**) Term: **15 Years**

(21) Appl. No.: **29/666,602**
(22) Filed: **Oct. 15, 2018**
(51) **LOC (13) Cl.** **06-01**
(52) **U.S. Cl.**
USPC **D6/366**
(58) **Field of Classification Search**
USPC D6/334-336, 360, 364, 365, 366, 374,
D6/375, 376, 716, 716.1, 716.4
CPC A47C 3/12; A47C 7/004; A47C 7/006;
A47C 7/16; A47C 7/18; A47C 7/24;
A47C 7/40; A47C 7/46
See application file for complete search history.

(56) **References Cited**
U.S. PATENT DOCUMENTS
D181,945 S * 1/1958 Saarinen D6/365
D607,225 S * 1/2010 Bauchet D6/375
D638,231 S * 5/2011 Lievore D6/375
D742,132 S * 11/2015 Morrison D6/375
D742,658 S * 11/2015 Bisman D6/374
D766,640 S * 9/2016 Kubryk D6/716

D808,182 S * 1/2018 Baron D6/334
D811,757 S * 3/2018 Moscheri D6/334
D856,019 S * 8/2019 Lievore D6/366
D859,019 S * 9/2019 Lievore D6/366
D867,780 S * 11/2019 Krusin D6/374
D871,788 S * 1/2020 Gori D6/360
D882,971 S * 5/2020 Izawa D6/334
D886,483 S * 6/2020 Li D6/374

* cited by examiner

Primary Examiner — Mimosa De

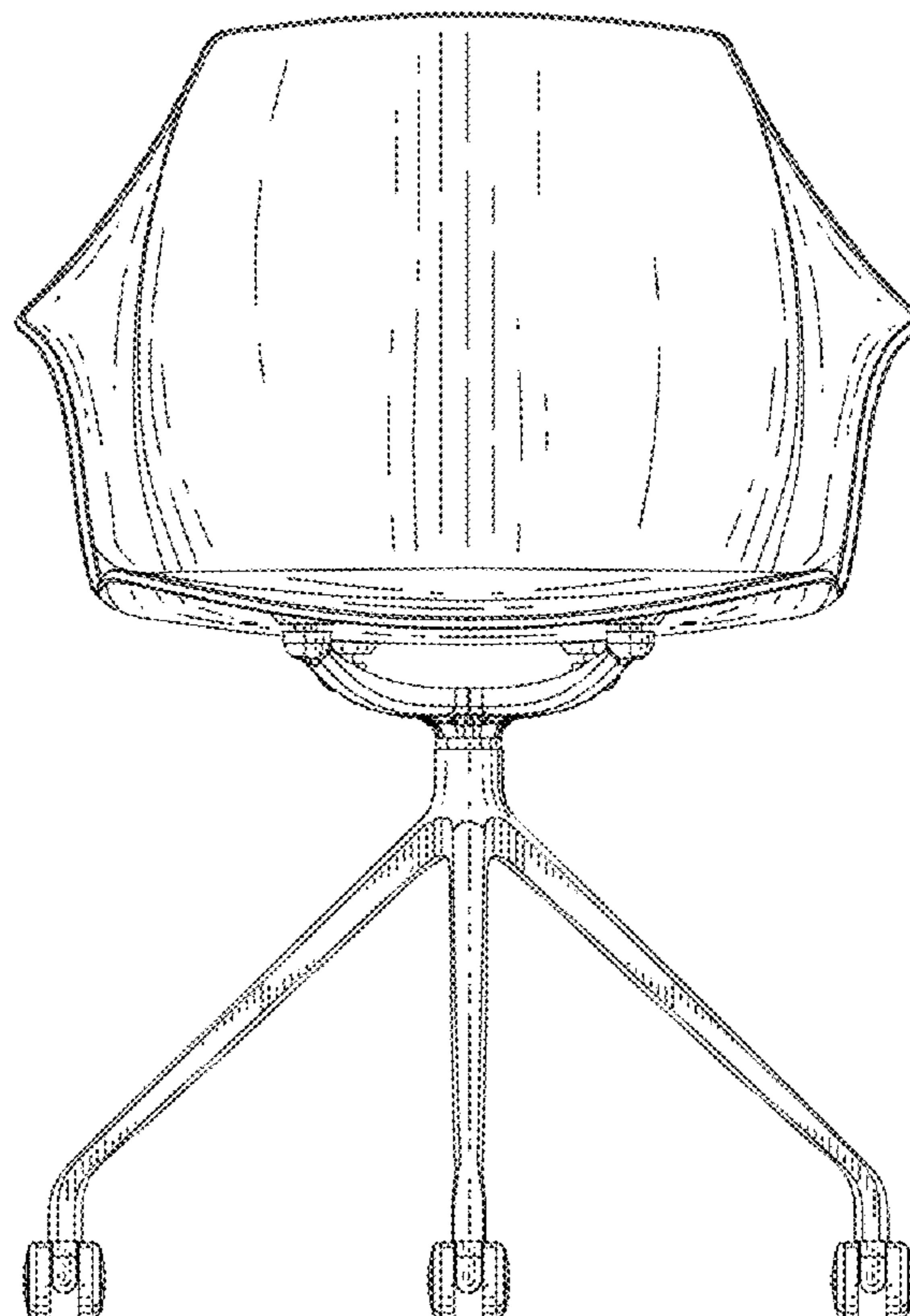
(57) **CLAIM**

The ornamental design for a swivel chair, as shown and described.

DESCRIPTION

FIG. 1 is the principal view for swivel chair, showing my new design.
FIG. 2 is the rear view for swivel chair, showing my new design.
FIG. 3 is the left-side view for swivel chair, showing my new design.
FIG. 4 is the right-side view for swivel chair, showing my new design.
FIG. 5 is the top view for swivel chair, showing my new design.
FIG. 6 is the bottom view for swivel chair, showing my new design; and,
FIG. 7 is the stereoscopic view for swivel chair, showing my new design.
The broken lines shown are included for the purpose of illustrating unclaimed subject matter and form no part of the claimed design.

1 Claim, 7 Drawing Sheets



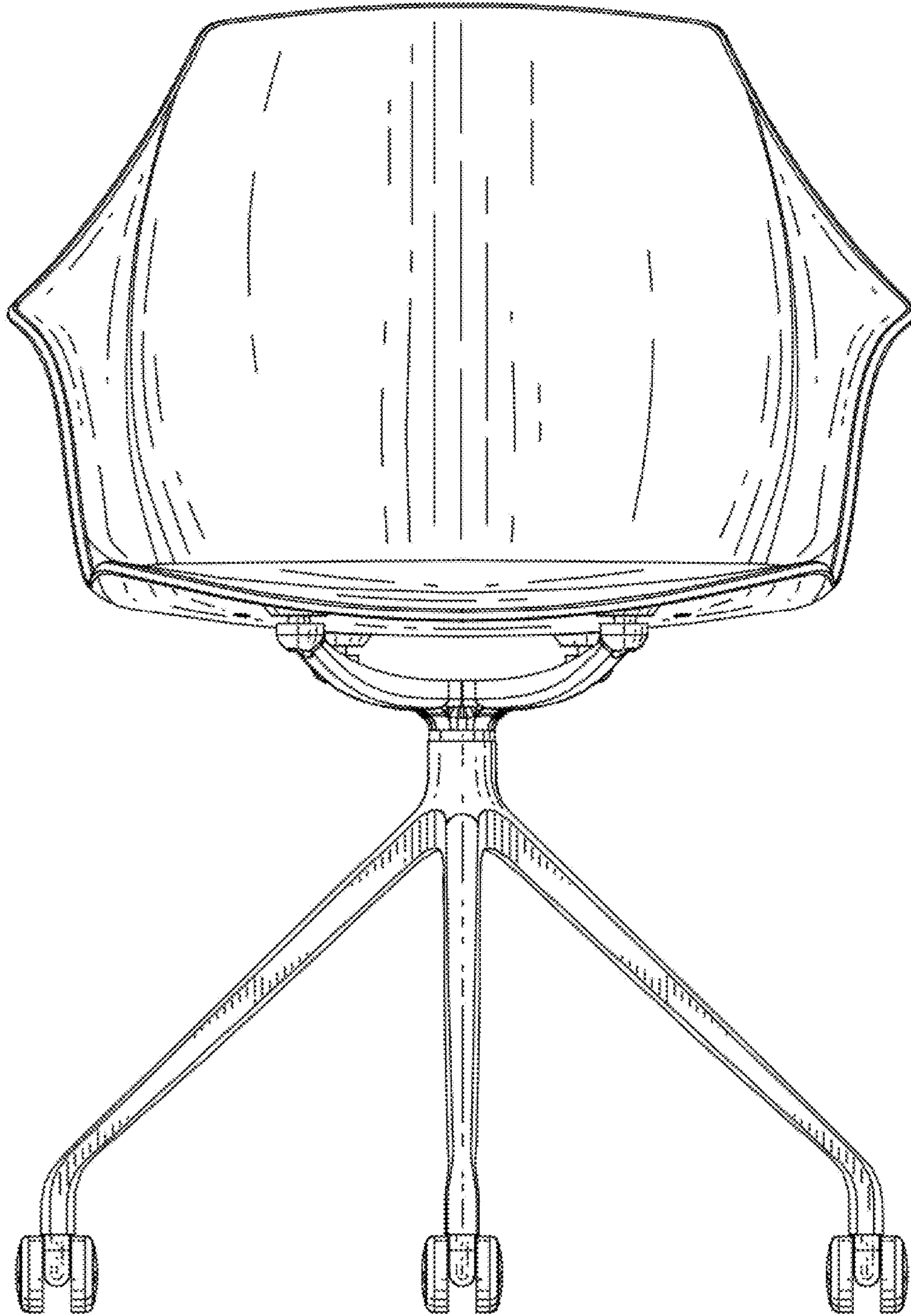


FIG. 1

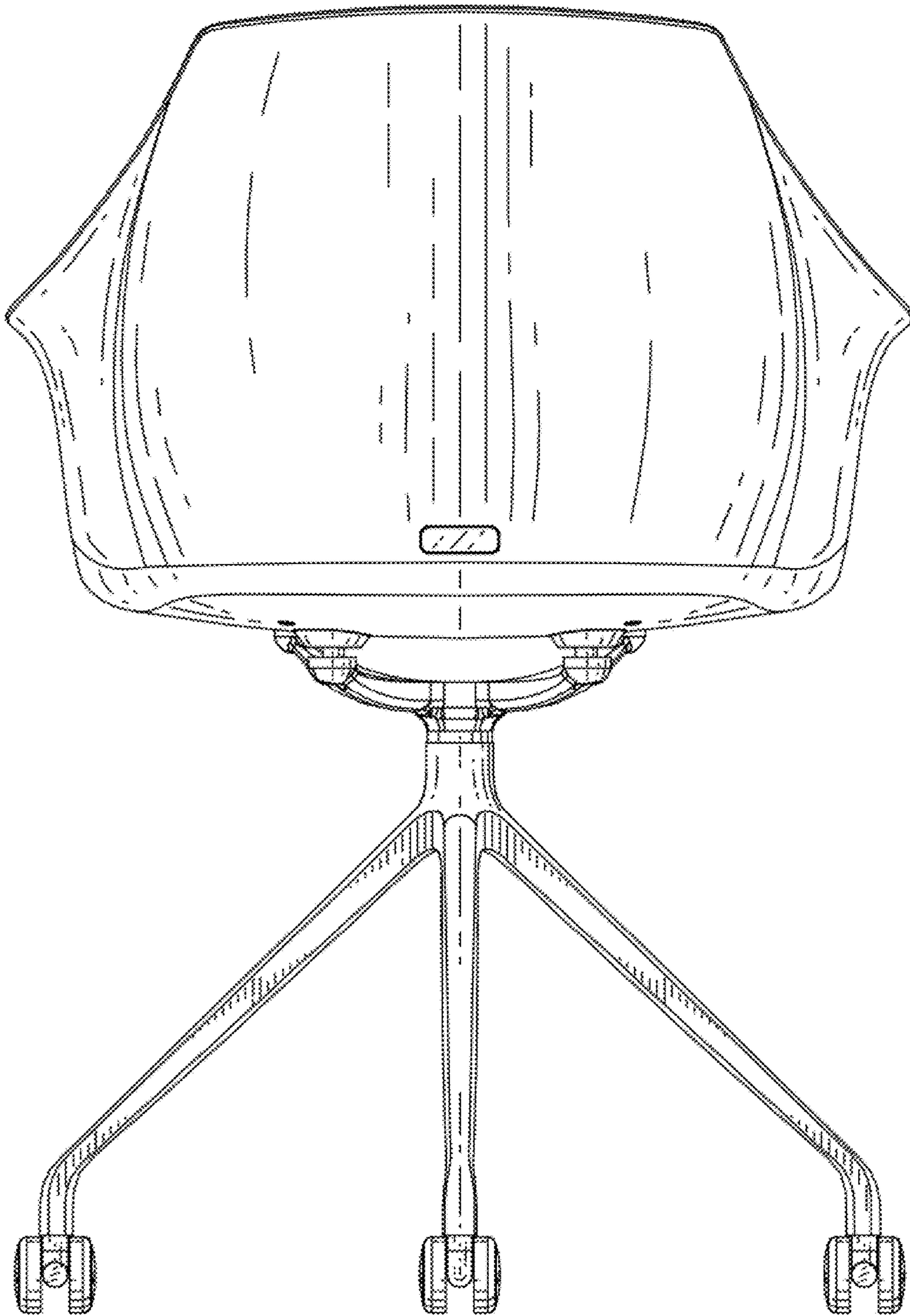


FIG. 2

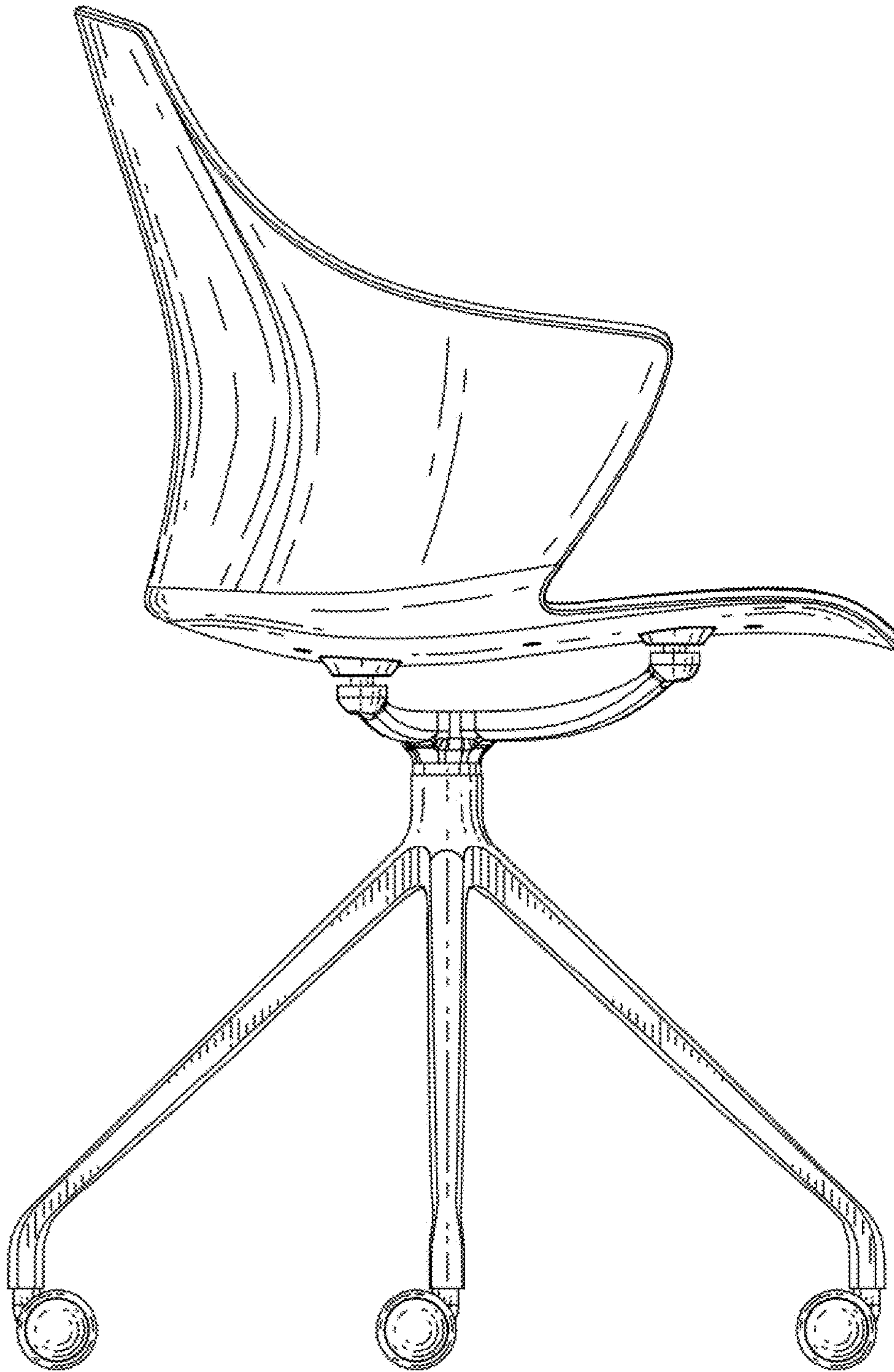


FIG.3

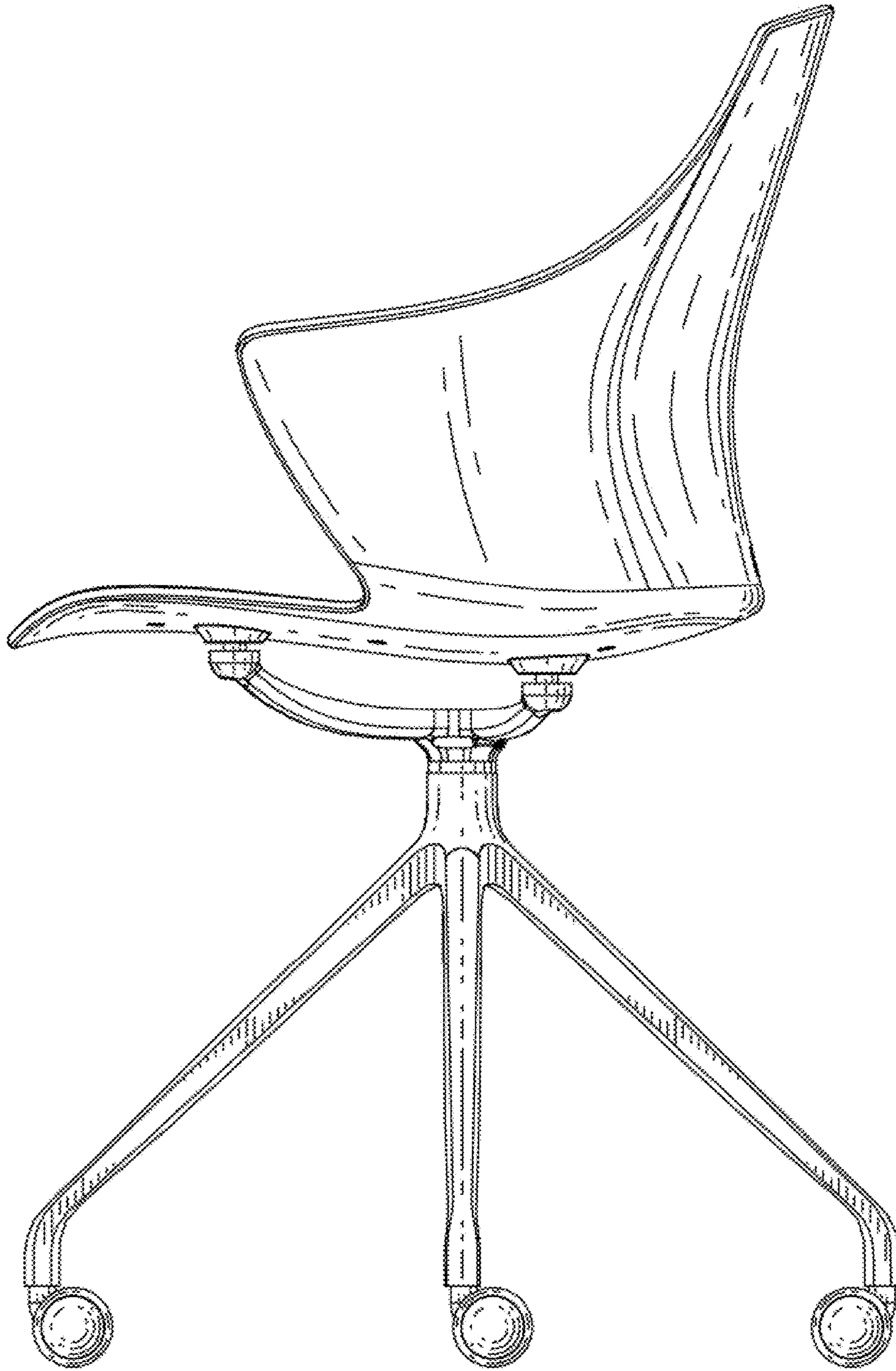


FIG.4

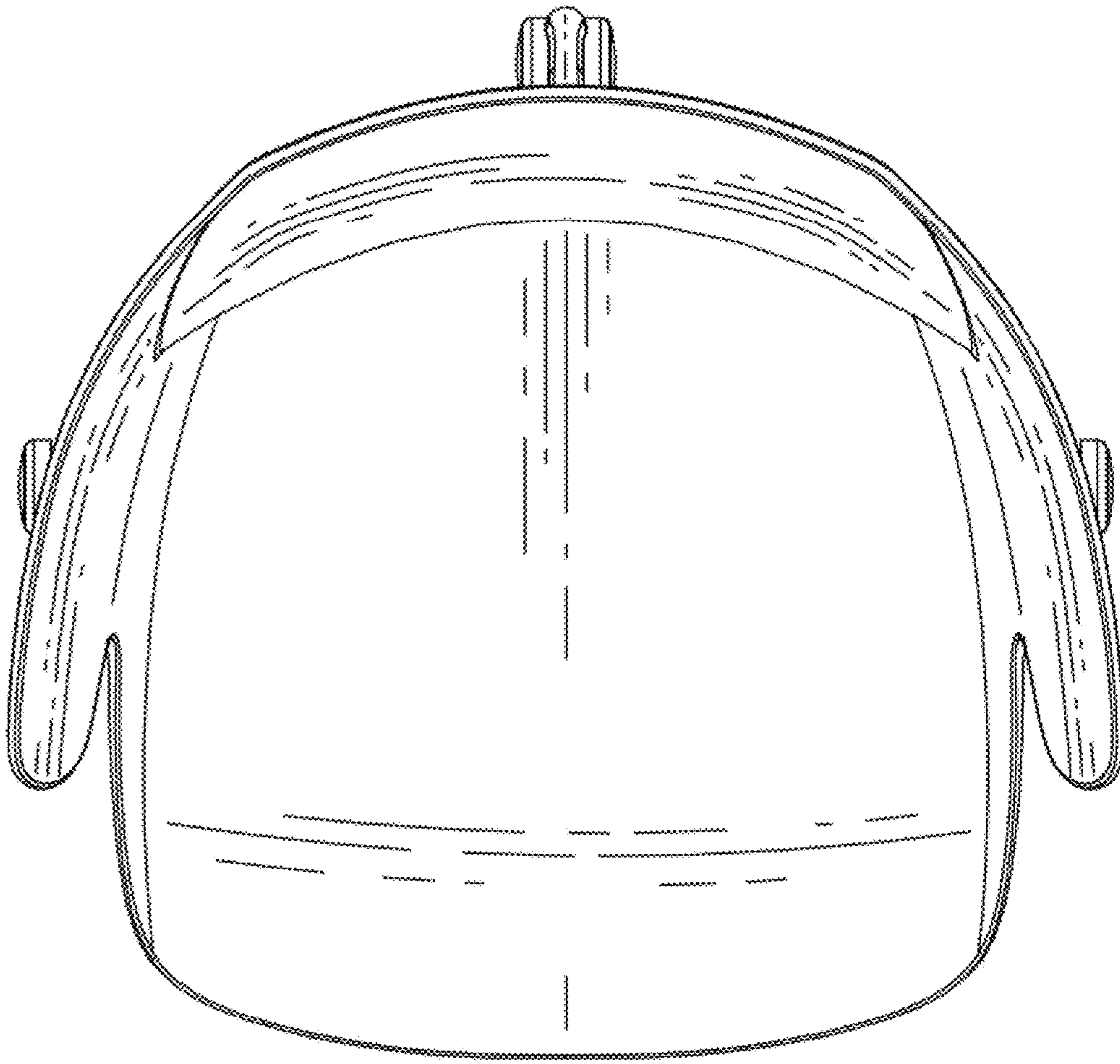


FIG.5

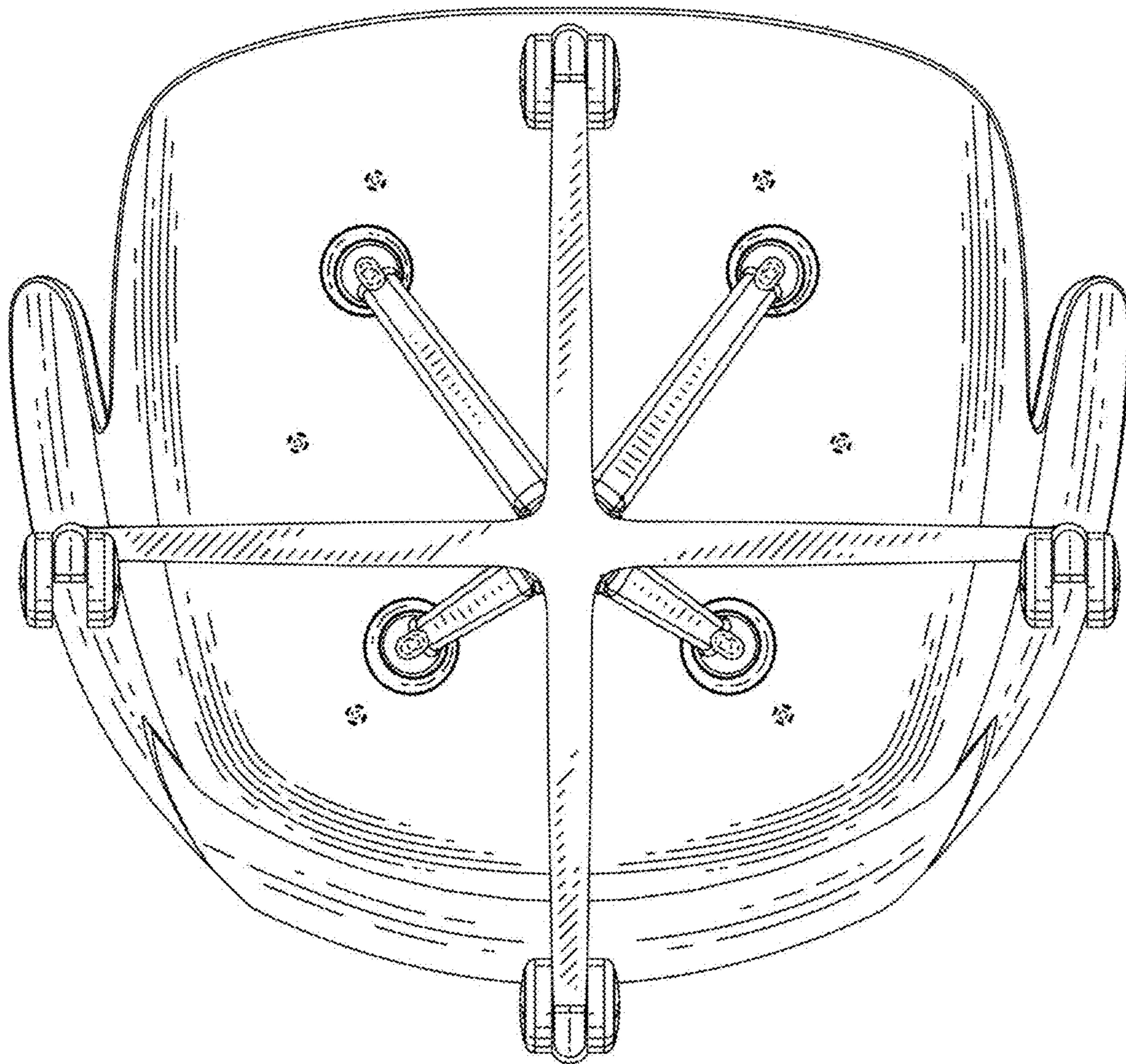


FIG.6

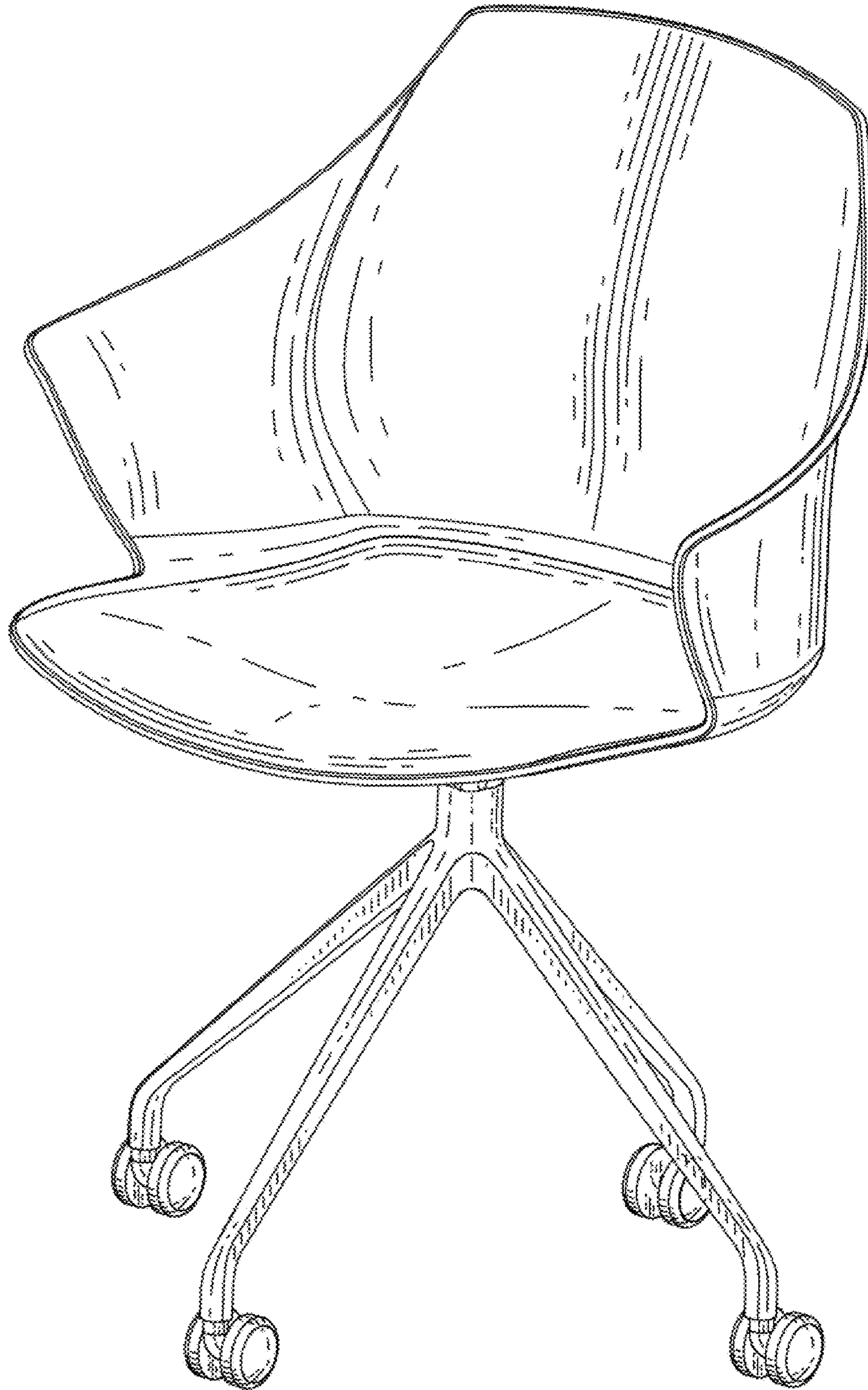


FIG.7