



US00D910326S

(12) **United States Design Patent** (10) **Patent No.:** **US D910,326 S**
Petrucelli (45) **Date of Patent:** **** Feb. 16, 2021**

(54) **SALON CHAIR**

(71) Applicant: **P.S. Pibbs, Inc.**, Flushing, NY (US)

(72) Inventor: **Giulio Petrucelli**, Flushing, NY (US)

(73) Assignee: **P.S. Pibbs, Inc.**, Flushing, NY (US)

(**) Term: **15 Years**

(21) Appl. No.: **29/682,922**

(22) Filed: **Mar. 8, 2019**

(51) **LOC (13) Cl.** **06-01**

(52) **U.S. Cl.**
 USPC **D6/360**

(58) **Field of Classification Search**
 USPC D6/335, 360, 364, 367, 716.4
 CPC A45D 44/02; A47C 1/0242; A47C 1/029;
 A47C 1/04; A47C 1/06; A47C 1/11;
 A47C 13/00; A47C 17/04; A47C 7/004;
 A47C 7/40; A47C 7/506; A61G 13/12;
 A61G 13/1225; A61G 15/02; A61G
 15/12; A61G 2200/34; B64D 11/0647;
 B64D 11/064; B64D 11/06

See application file for complete search history.

D560,379 S * 1/2008 Fancelli D6/364
 D660,619 S * 5/2012 Petrucelli D6/716
 D672,980 S * 12/2012 Mitjans D6/364
 D800,486 S * 10/2017 Petrucelli D6/716
 10,117,515 B2 * 11/2018 Osweiler A47C 7/62
 2020/0190894 A1 * 6/2020 Gunawardena A47D 13/00

* cited by examiner

Primary Examiner — Kevin K Rudzinski
Assistant Examiner — Paul D Bohannon
 (74) *Attorney, Agent, or Firm* — Gerald E. Hespos;
 Michael J. Porco; Matthew T. Hespos

(56) **References Cited**

U.S. PATENT DOCUMENTS

3,235,305 A * 2/1966 Dlouhy A47C 1/04
 297/188.05
 D232,138 S * 7/1974 Armbruster D6/360
 4,500,137 A * 2/1985 Morehouse A47C 7/029
 297/452.21
 5,039,167 A * 8/1991 Sweet A47C 1/04
 297/423.28
 D384,212 S * 9/1997 Infanti D6/360
 D384,213 S * 9/1997 Infanti D6/341

(57) **CLAIM**

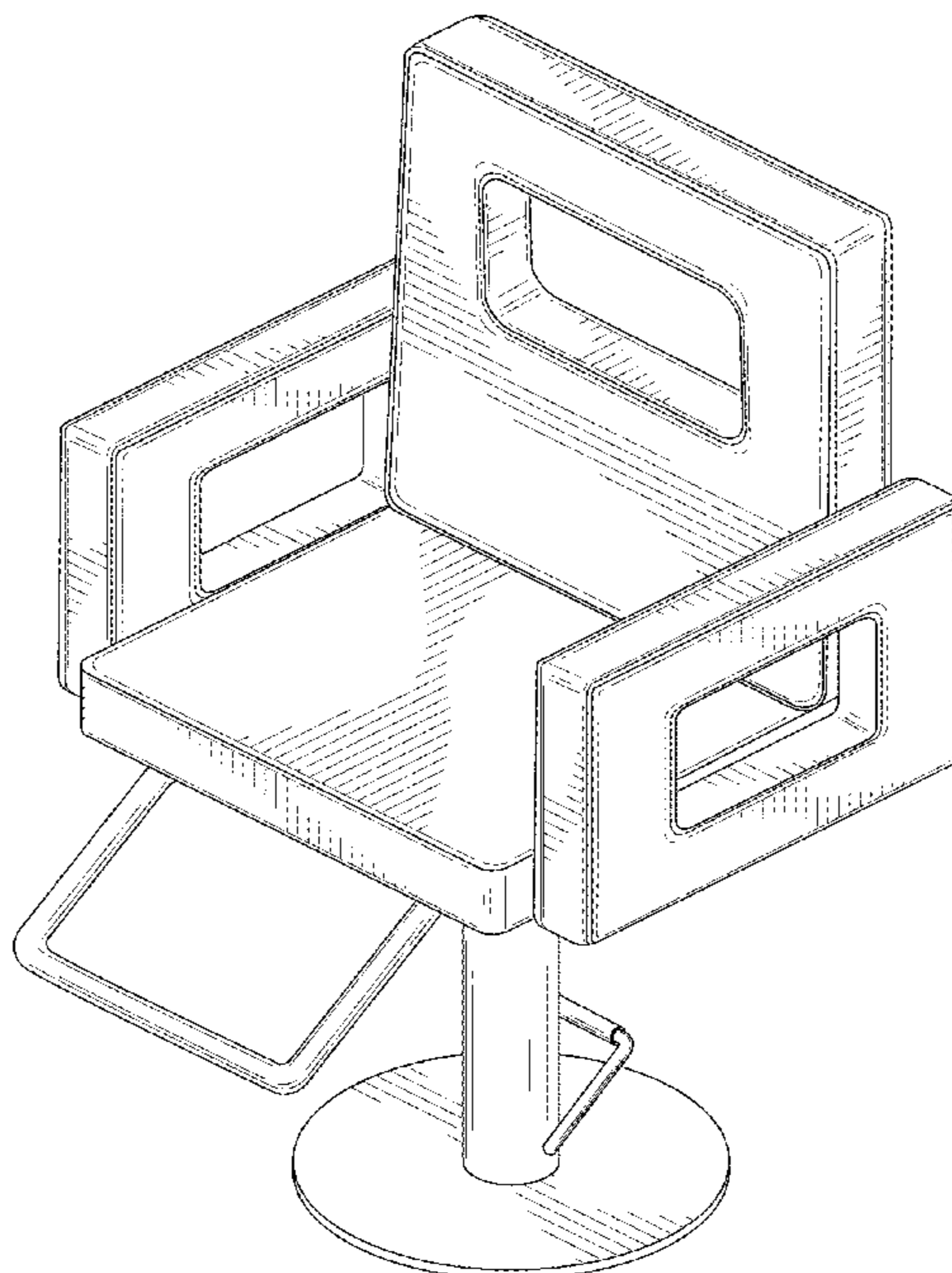
The ornamental design for a salon chair, as shown and described.

DESCRIPTION

FIG. 1 is a perspective view of a salon chair in accordance with my new design;
 FIG. 2 is a front elevational view thereof;
 FIG. 3 is a rear elevational view thereof;
 FIG. 4 is a side elevational view thereof as viewed from the left side of FIG. 1;
 FIG. 5 is a side elevational view thereof as viewed from the right side of FIG. 1;
 FIG. 6 is a top plan view thereof; and,
 FIG. 7 is a bottom plan view thereof.

The broken lines shown in the drawings are for the purpose of illustrating portions of the article and form no part of the claimed design. The short length dash-dash broken lines and the longer length dash-dash broken lines shown in the drawings represent stitching and form no part of the claimed design.

1 Claim, 7 Drawing Sheets



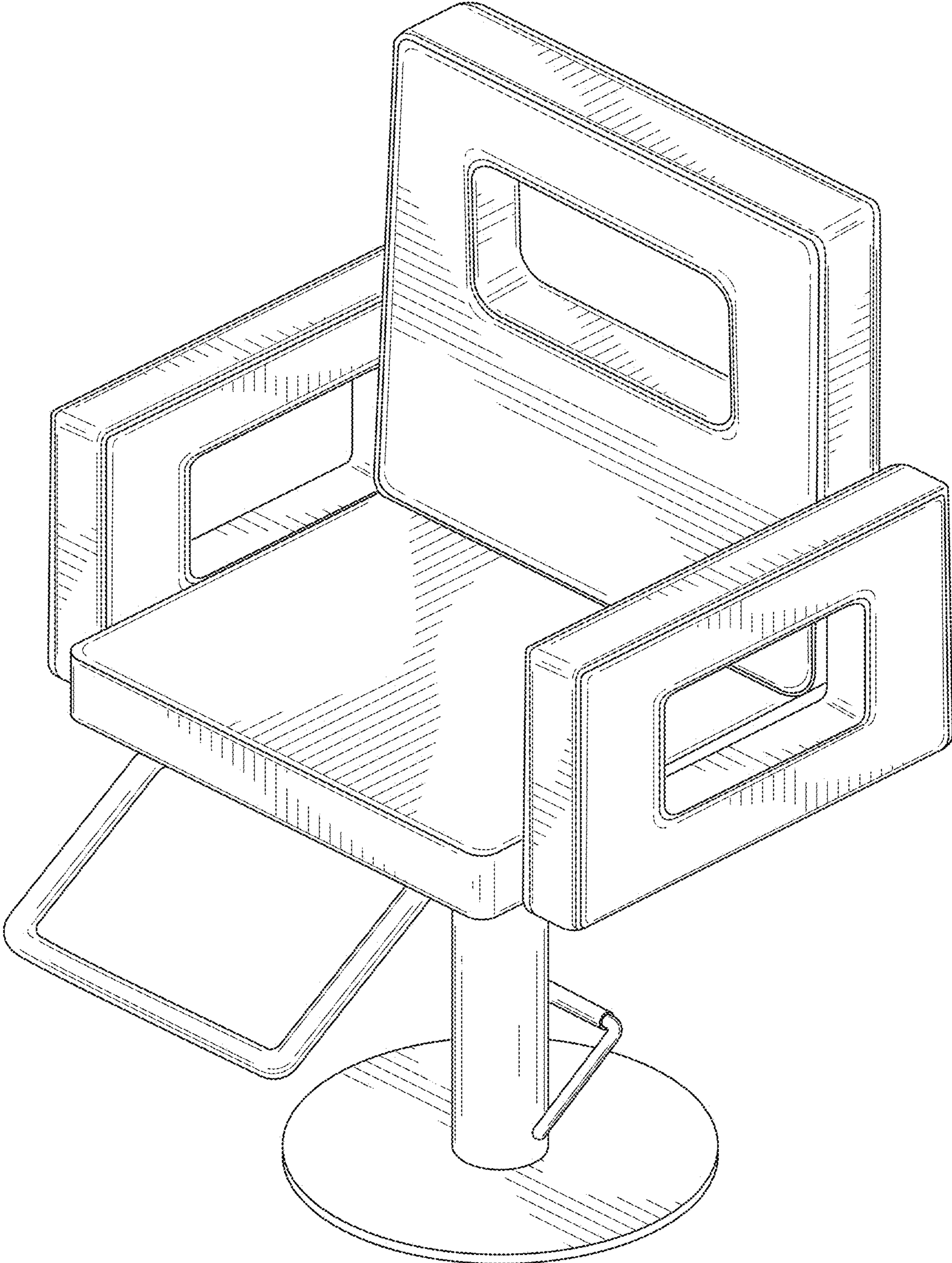


FIG. 1

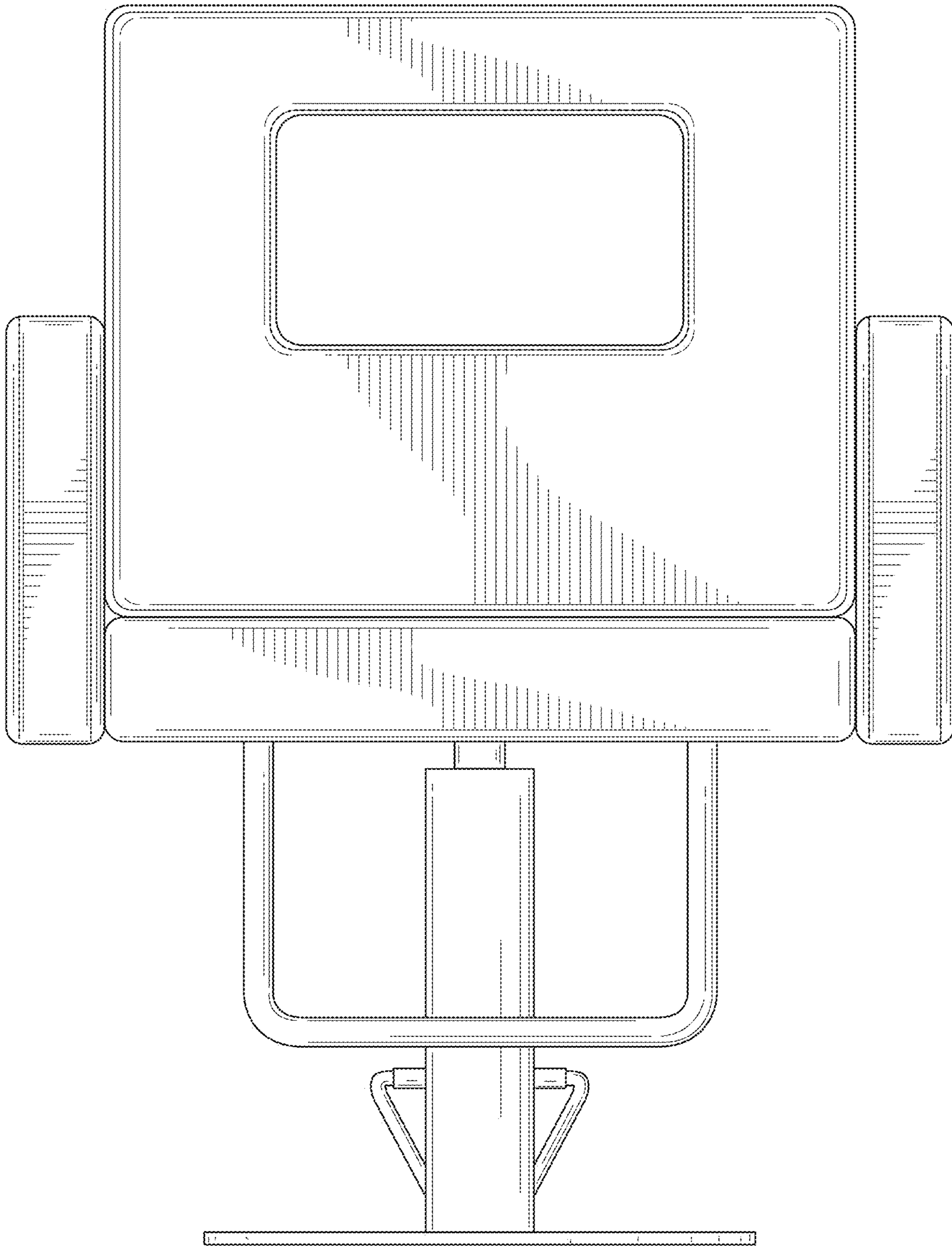


FIG. 2

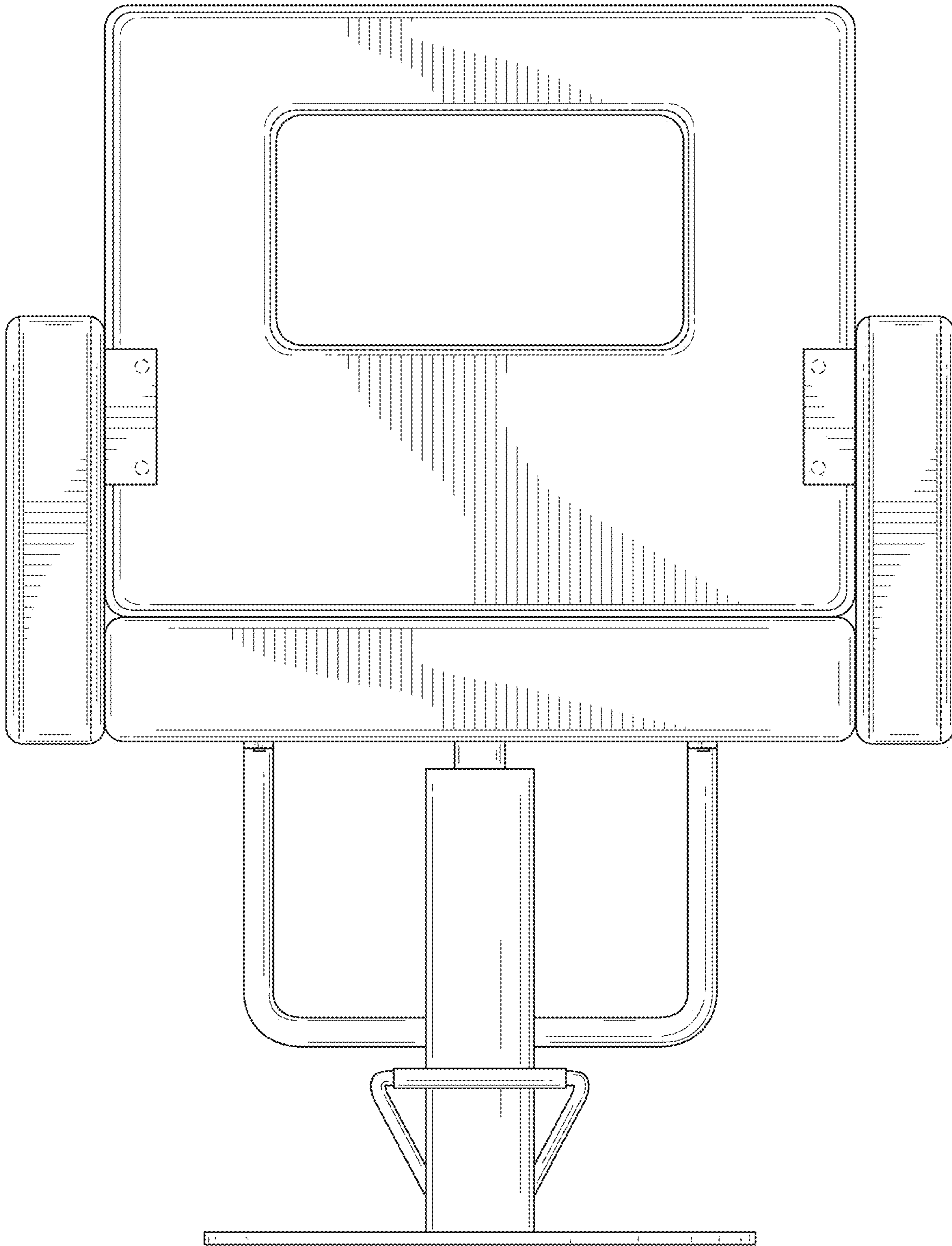


FIG. 3

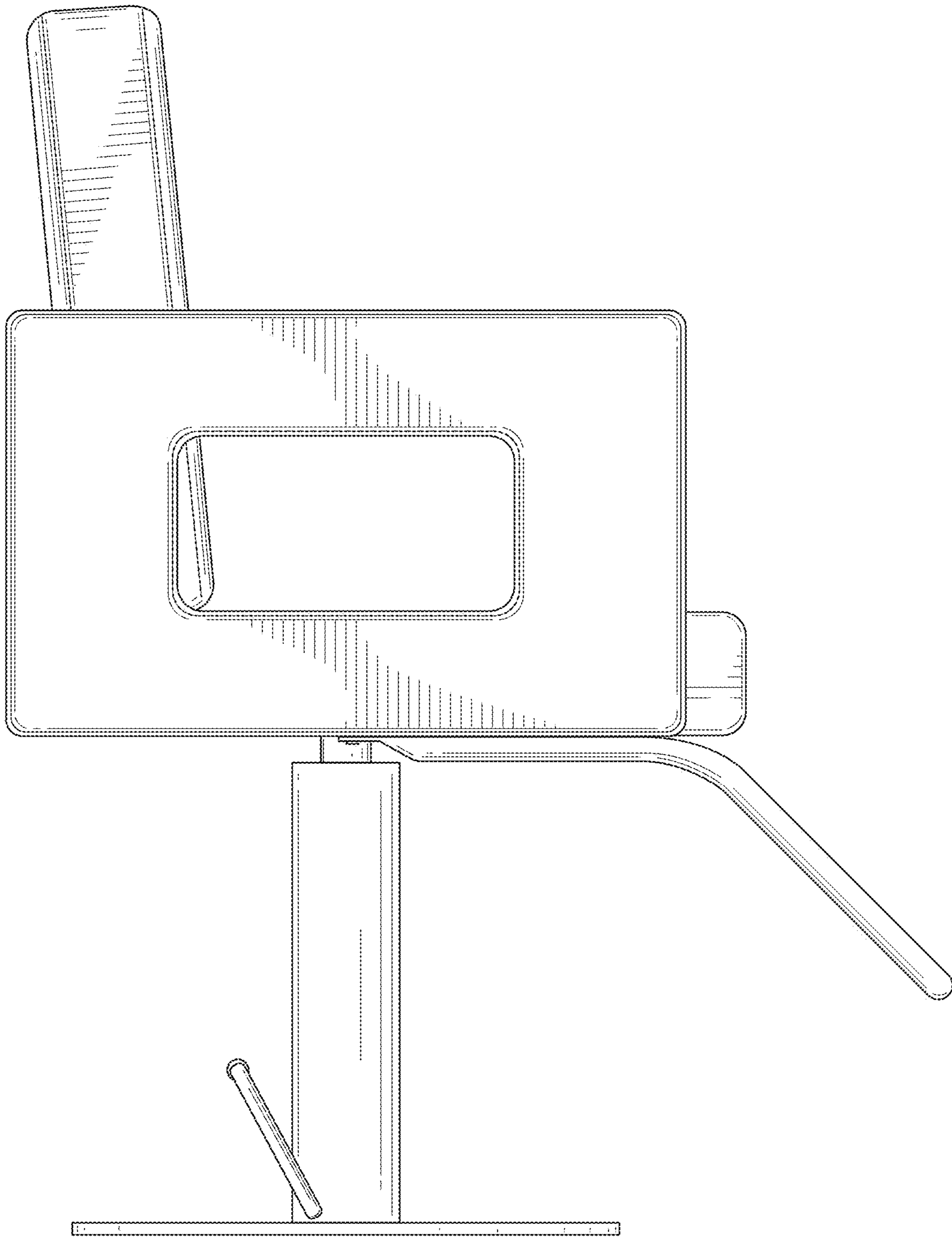


FIG. 4

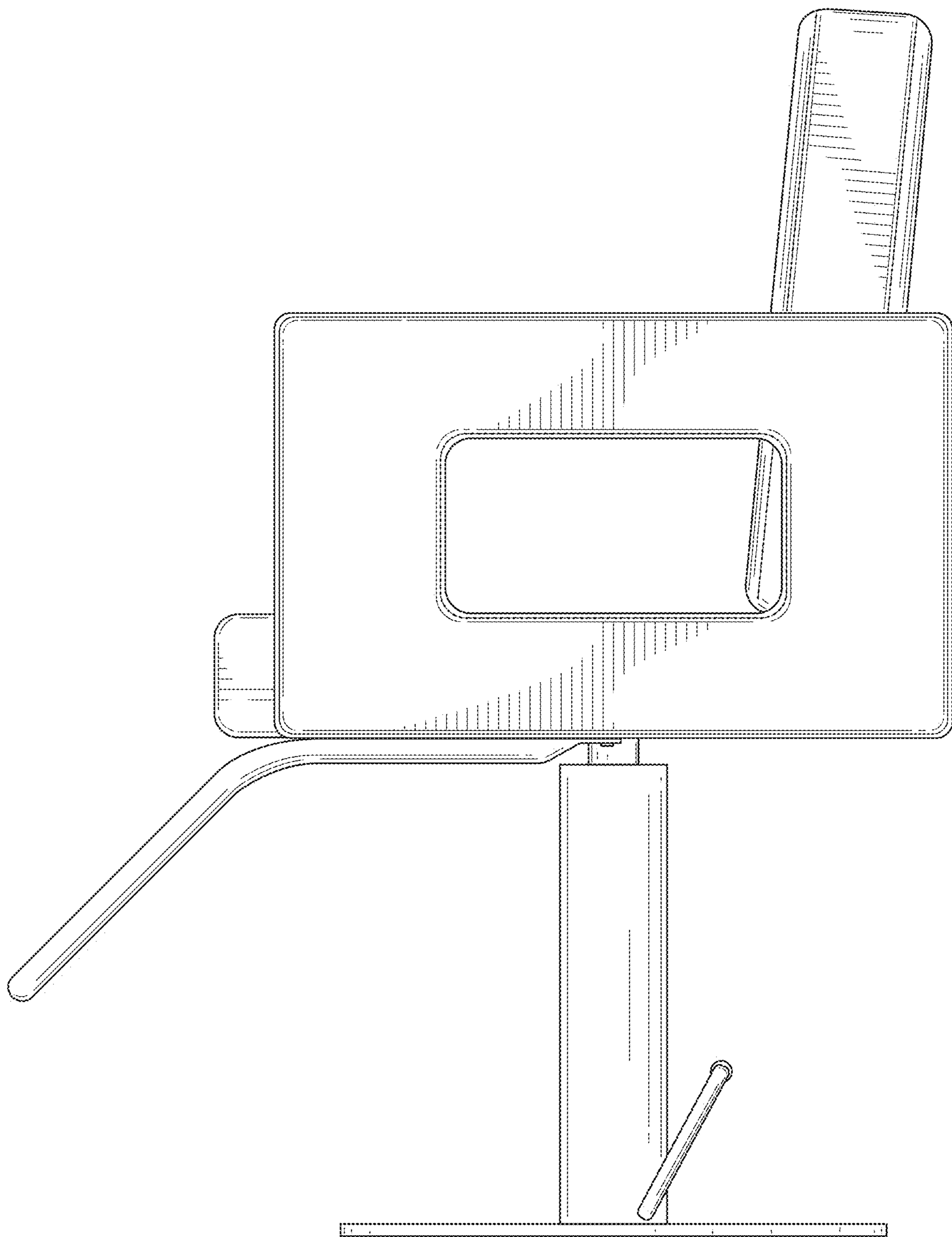


FIG. 5

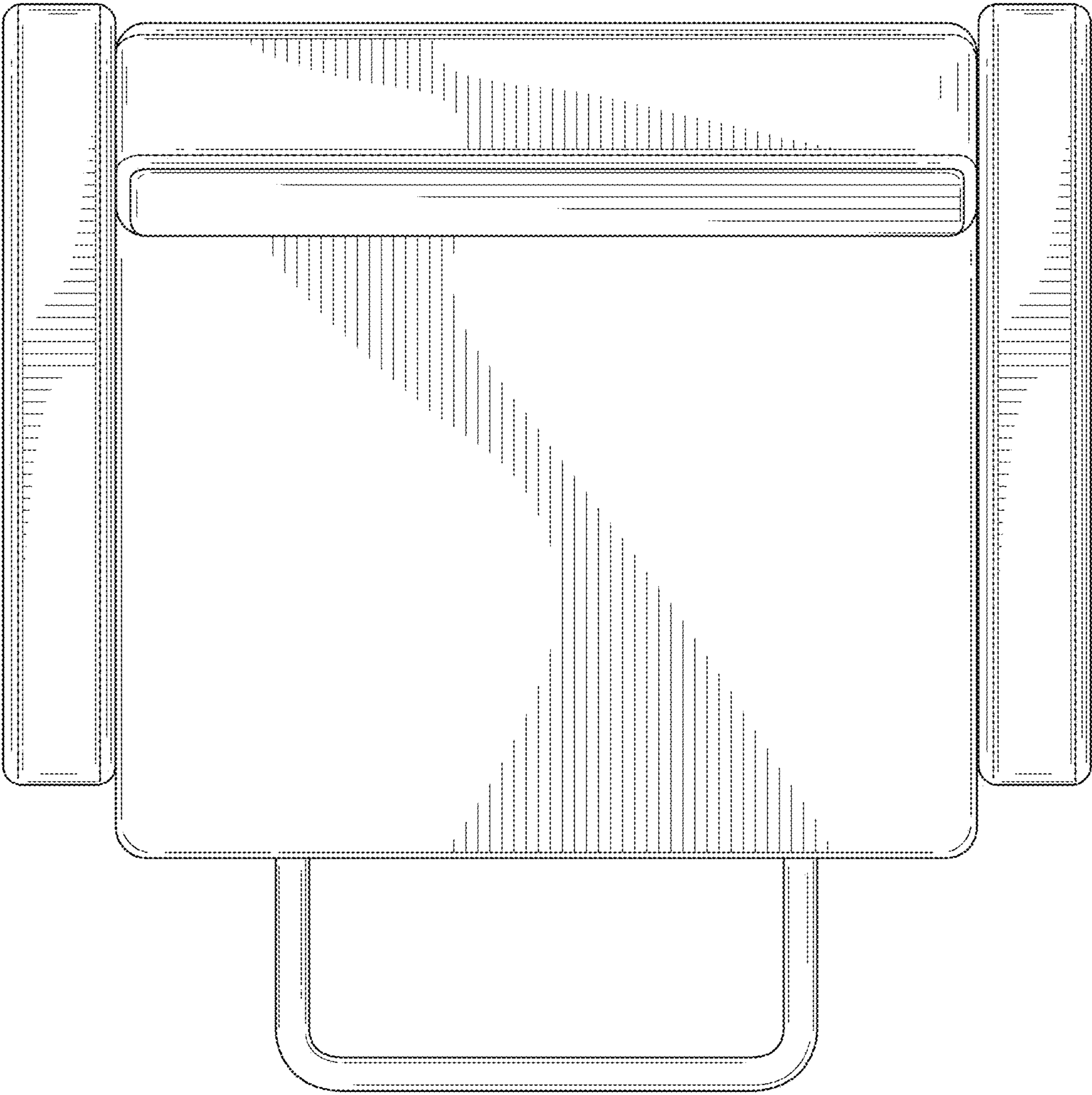


FIG. 6

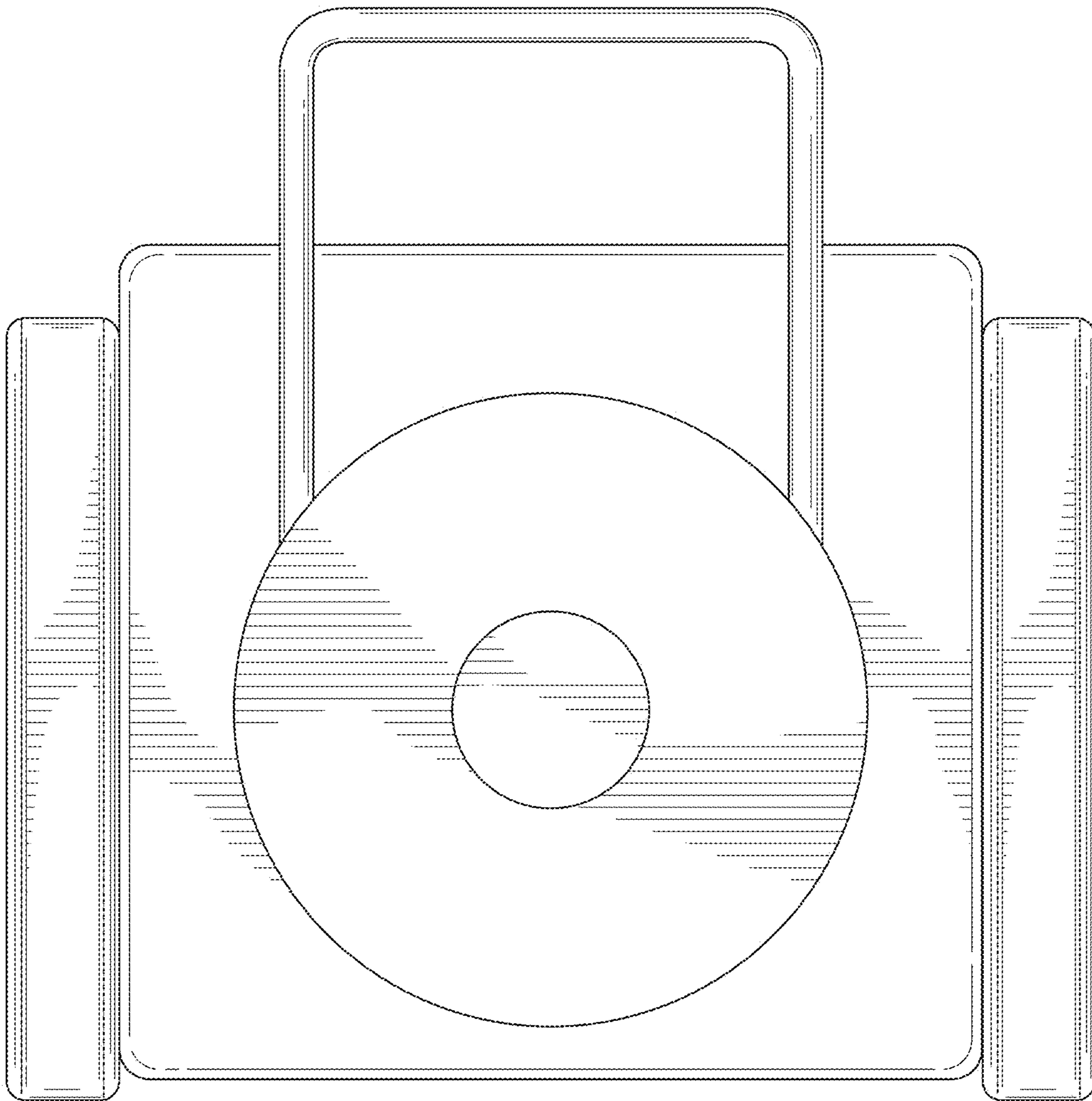


FIG. 7