



US00D910325S

(12) **United States Design Patent** (10) **Patent No.:** **US D910,325 S**  
**Li** (45) **Date of Patent:** **\*\* Feb. 16, 2021**

(54) **STOOL**  
(71) Applicant: **39F USA INC**, Rancho Cucamonga, CA (US)  
(72) Inventor: **Yuehai Li**, Rancho Cucamonga, CA (US)  
(\*\*) Term: **15 Years**  
(21) Appl. No.: **29/694,417**  
(22) Filed: **Jun. 10, 2019**  
(51) **LOC (13) Cl.** ..... **06-01**  
(52) **U.S. Cl.**  
USPC ..... **D6/352**  
(58) **Field of Classification Search**  
USPC ..... D6/334, 335, 349-353, 354, 355, 360, D6/363, 364-365, 368, 596, 601, 604, D6/691-691.9, 692-692.6, 716-716.1; D25/65  
CPC ..... A47B 7/00-02; A47C 11/00; A47C 12/00; A47C 13/00; A47C 16/00; A47C 16/02-04; A47C 9/00-105; A47K 17/02; A47K 17/028  
See application file for complete search history.

D557,524 S \* 12/2007 Simpson ..... D6/692.4  
D718,561 S \* 12/2014 Velez ..... D6/708.16  
9,049,922 B2 \* 6/2015 Schlueter ..... A47B 7/00  
D798,070 S \* 9/2017 Iqbal ..... D6/334  
D798,617 S \* 10/2017 Iqbal ..... D6/334  
D836,960 S \* 1/2019 Rockwell ..... D6/692.4

**OTHER PUBLICATIONS**

Lavish Home Bar Heigh Stools-Backless Barstools with Hairpin Legs Wood Seat-Kitchen or Dining Room—Modern Farmhouse Accent Furniture (Set of 2). [online] First available date: May 3, 2019. Retrieved from URL: <https://www.amazon.com/Lavish-Home-Stools-Backless-Barstools-Seat-Kitchen/dp/B07RGM3YW4>.  
Simpli Home Simeon Bar Stool. [online] Retrieved Jun. 21, 2020 from URL: <https://www.kohls.com/product/prd-3337610/simpli-home-simeon-metal-bar-stool.jsp?pfm=bdrecs-WebStore-PDP-Horizontal1-b1156-299&bdrecsId=eb8b97bb-6001-4c4e-988d-6be20cb92812>.  
MC Wire Bar Stools Homestead Seattle. [online] Retrieved May 21, 2020 from URL: <https://homesteadseattle.com/products/pair-wire-bar-stools>.

\* cited by examiner

*Primary Examiner* — Vy N Koenig  
(74) *Attorney, Agent, or Firm* — Feng Qian

(56) **References Cited**

**U.S. PATENT DOCUMENTS**

1,619,686 A \* 3/1927 Witkowski ..... A47C 4/24  
297/284.11  
D85,814 S \* 12/1931 Critchfield et al. .... D6/677.2  
D155,125 S \* 9/1949 Castelli ..... D6/691  
2,697,575 A \* 12/1954 Eames ..... A47B 13/06  
248/175  
D182,037 S \* 2/1958 Noguchi ..... D6/692.4  
D230,164 S \* 1/1974 Young et al. .... D30/106  
4,998,774 A \* 3/1991 Huff ..... A47C 9/007  
297/452.41  
5,435,510 A \* 7/1995 Wey ..... A47B 13/06  
248/163.1  
D484,335 S \* 12/2003 Murphy ..... D6/692.4

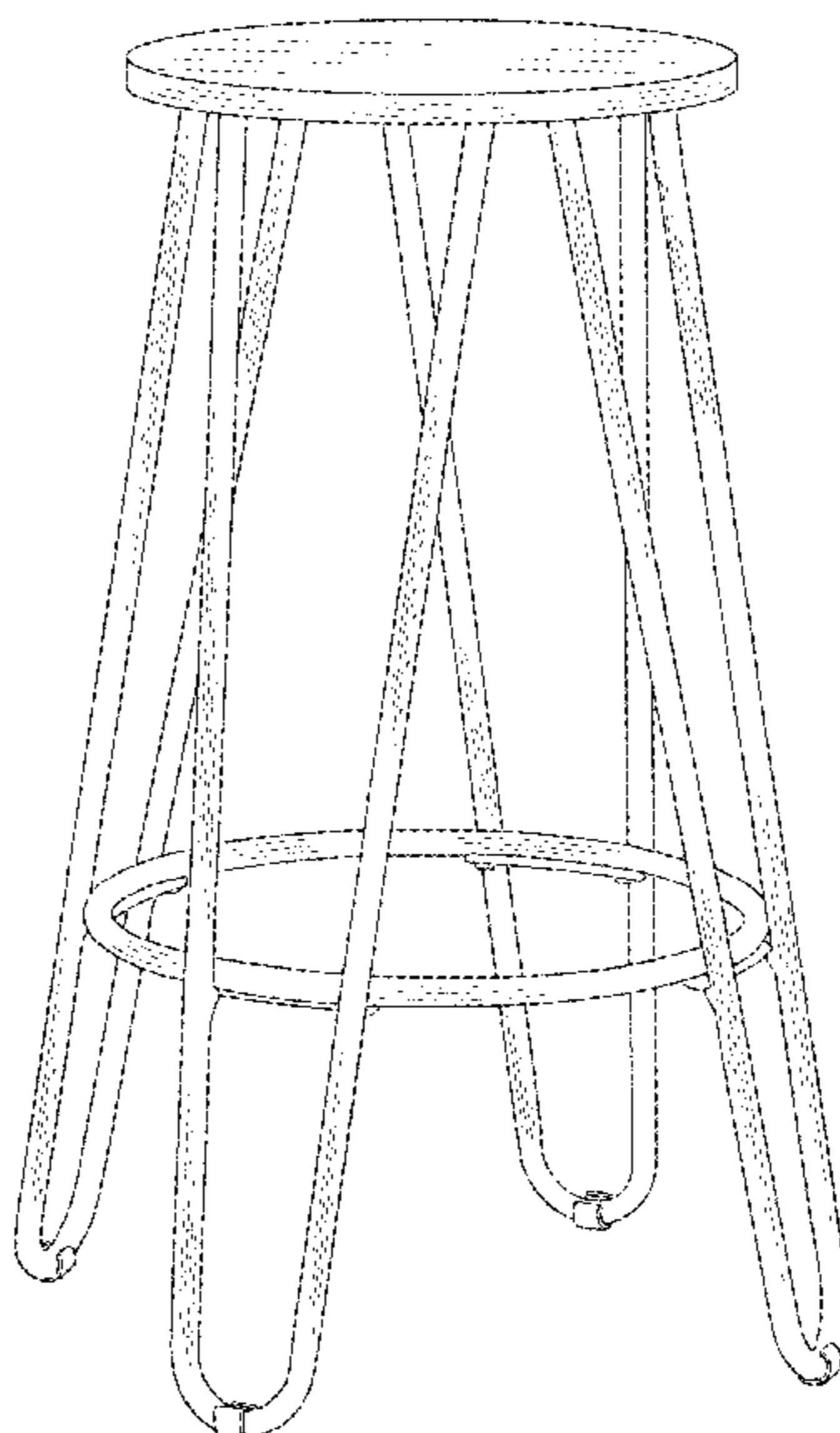
(57) **CLAIM**

The ornamental design for a stool, as shown and described.

**DESCRIPTION**

FIG. 1 is a front perspective view of a stool showing my new design;  
FIG. 2 is a front elevation view thereof;  
FIG. 3 is a rear elevation view thereof;  
FIG. 4 is a left-side elevation view thereof;  
FIG. 5 is a right-side elevation view thereof;  
FIG. 6 is a top plan view thereof; and,  
FIG. 7 is a rear plan view thereof.

**1 Claim, 7 Drawing Sheets**



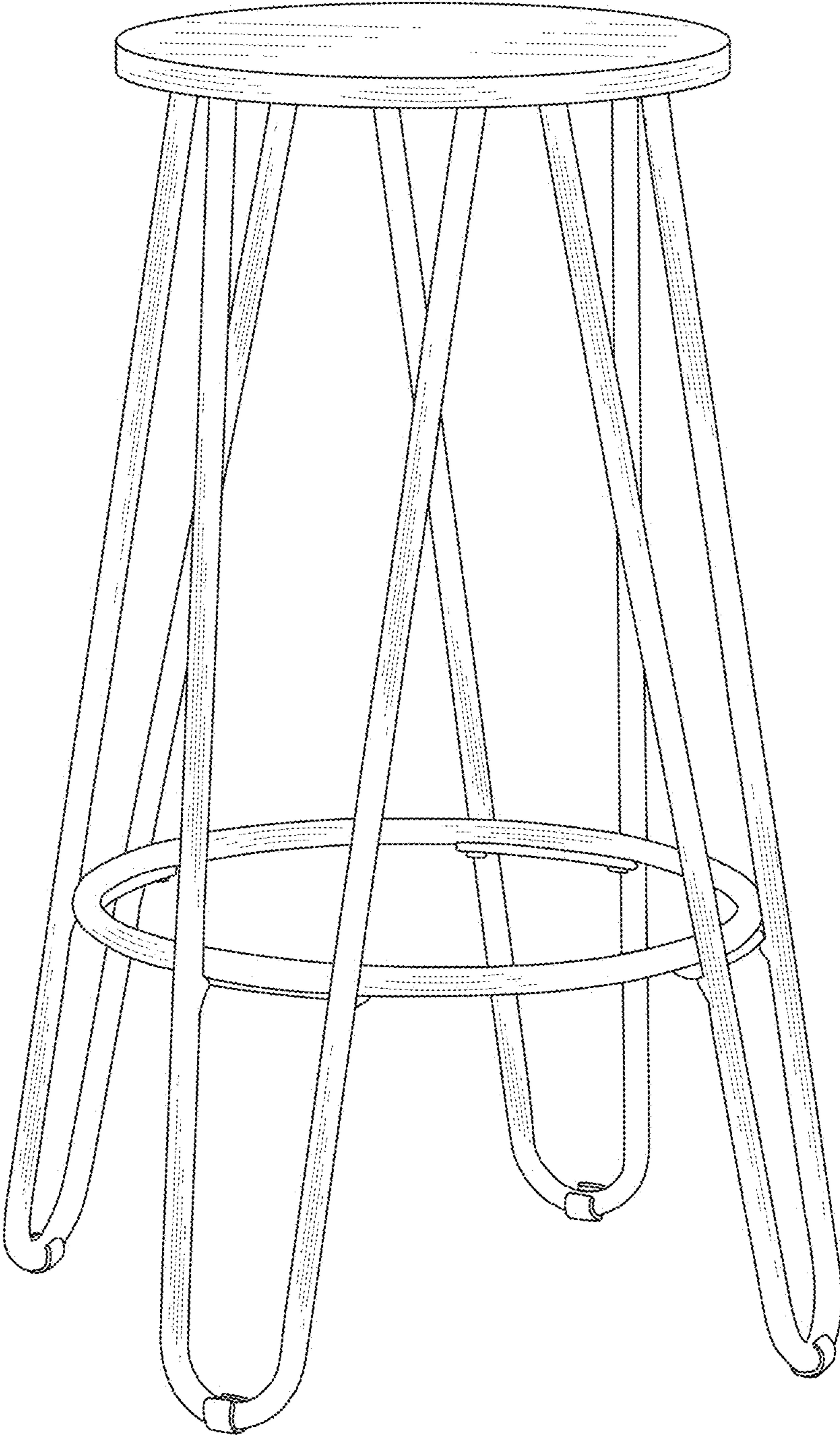


Fig.1

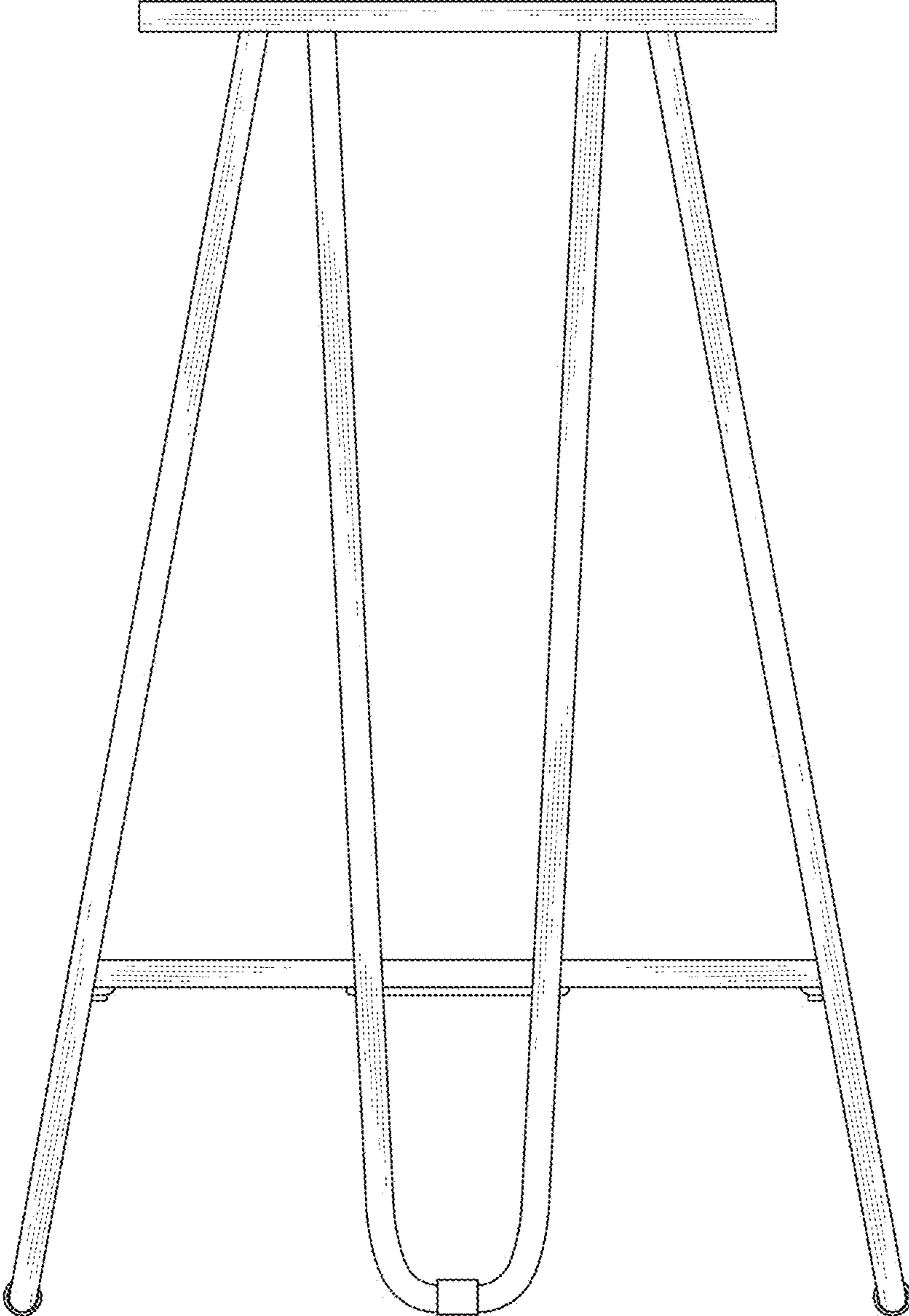


Fig.2

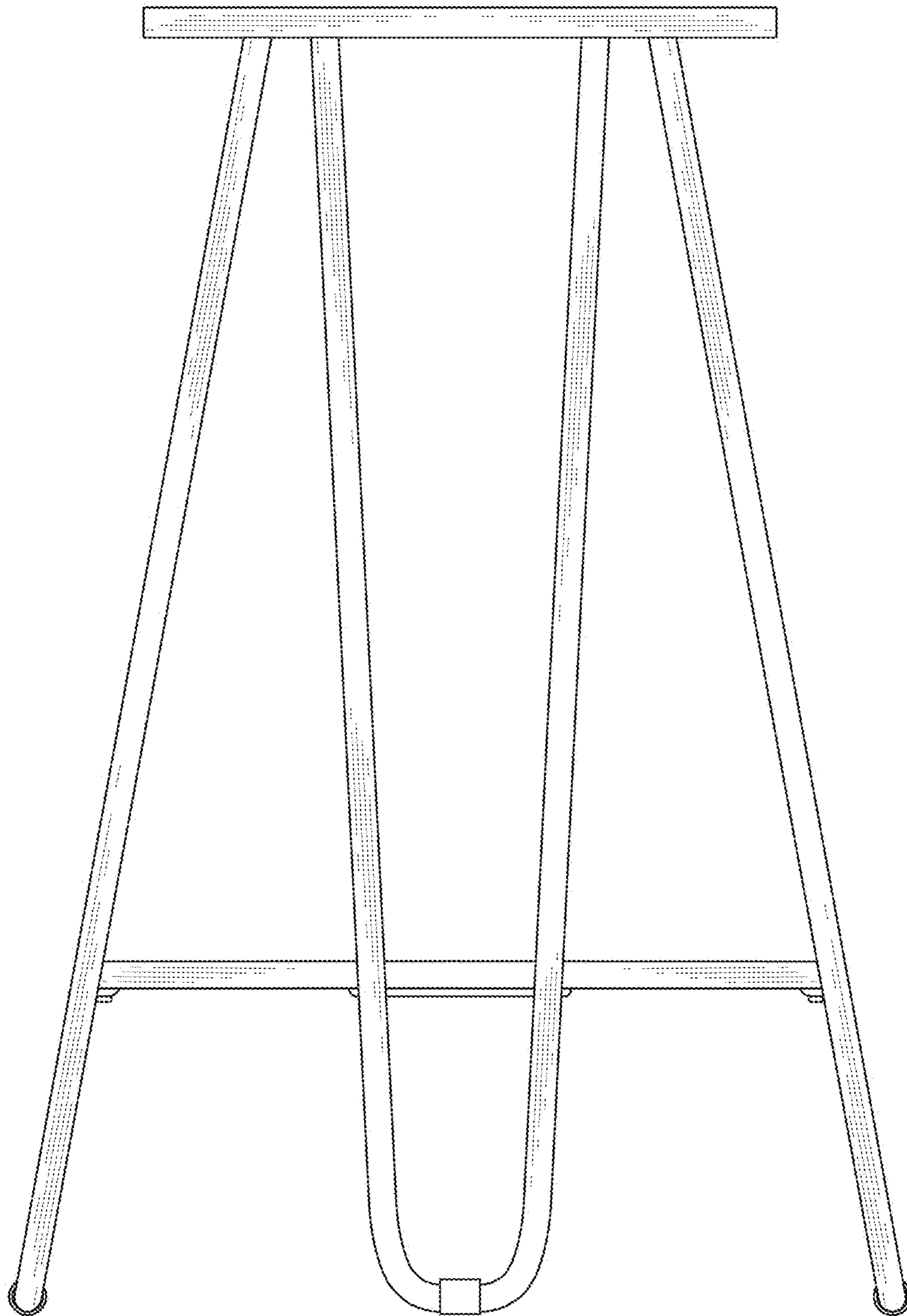


Fig.3

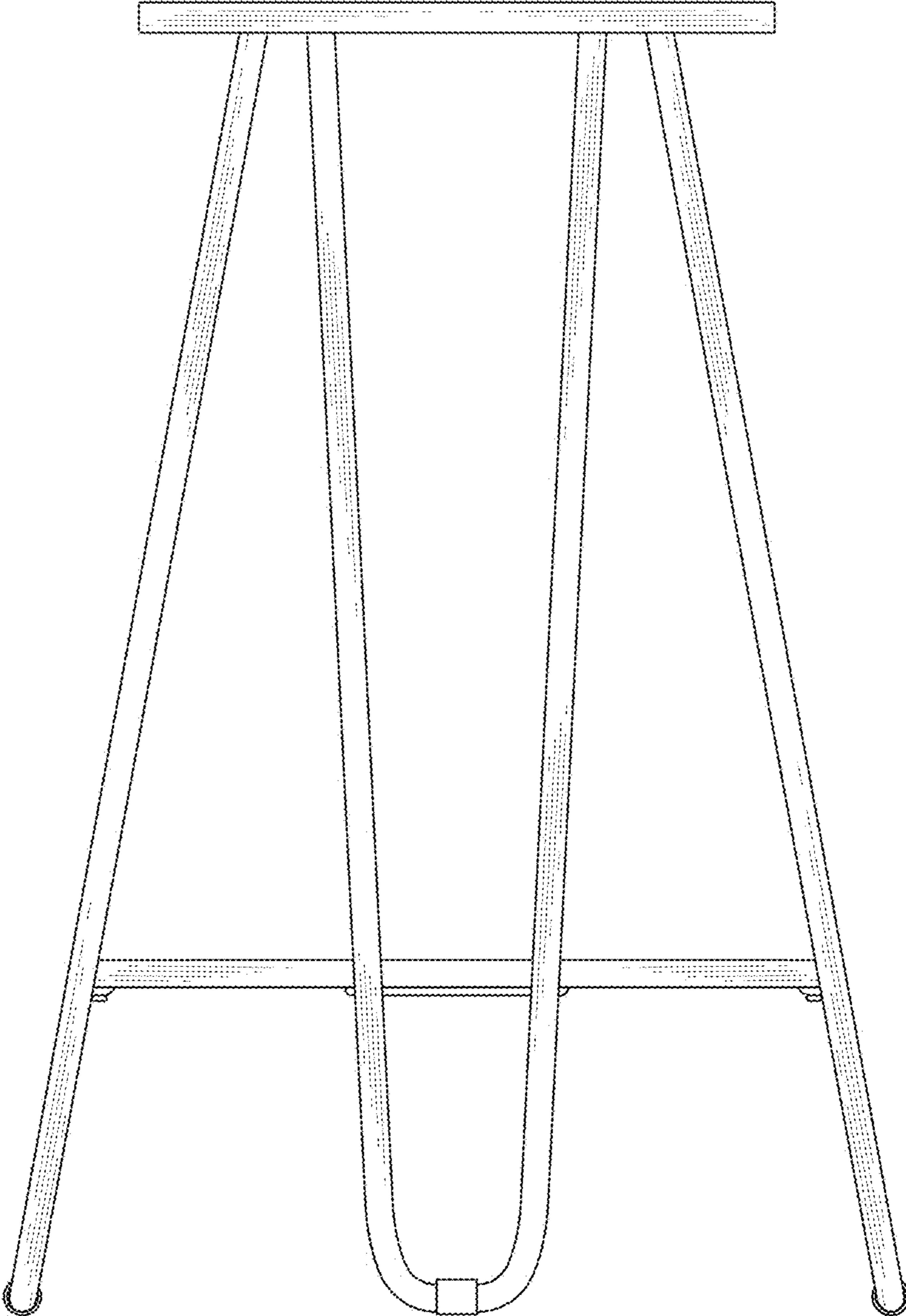


Fig.4

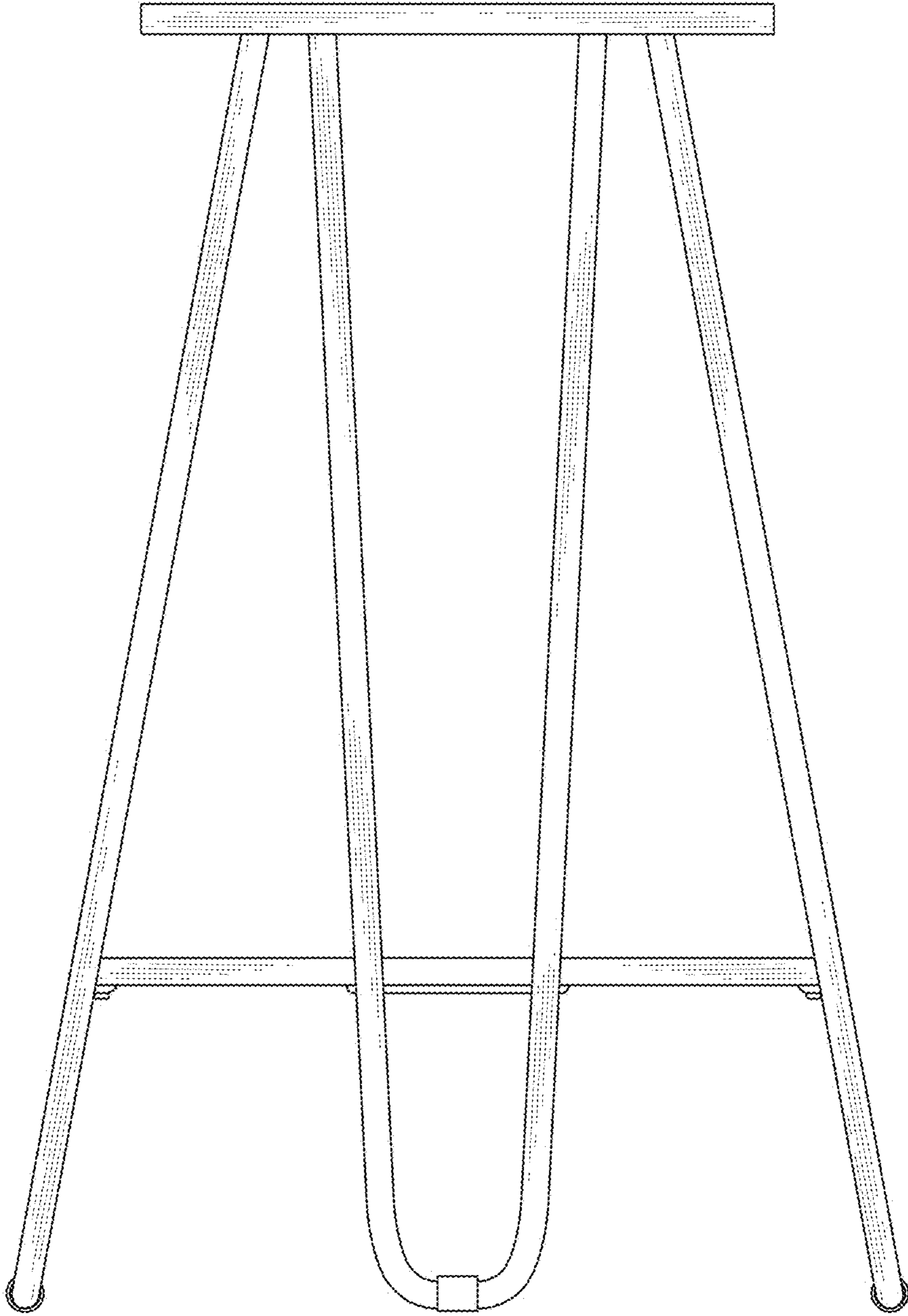


Fig.5

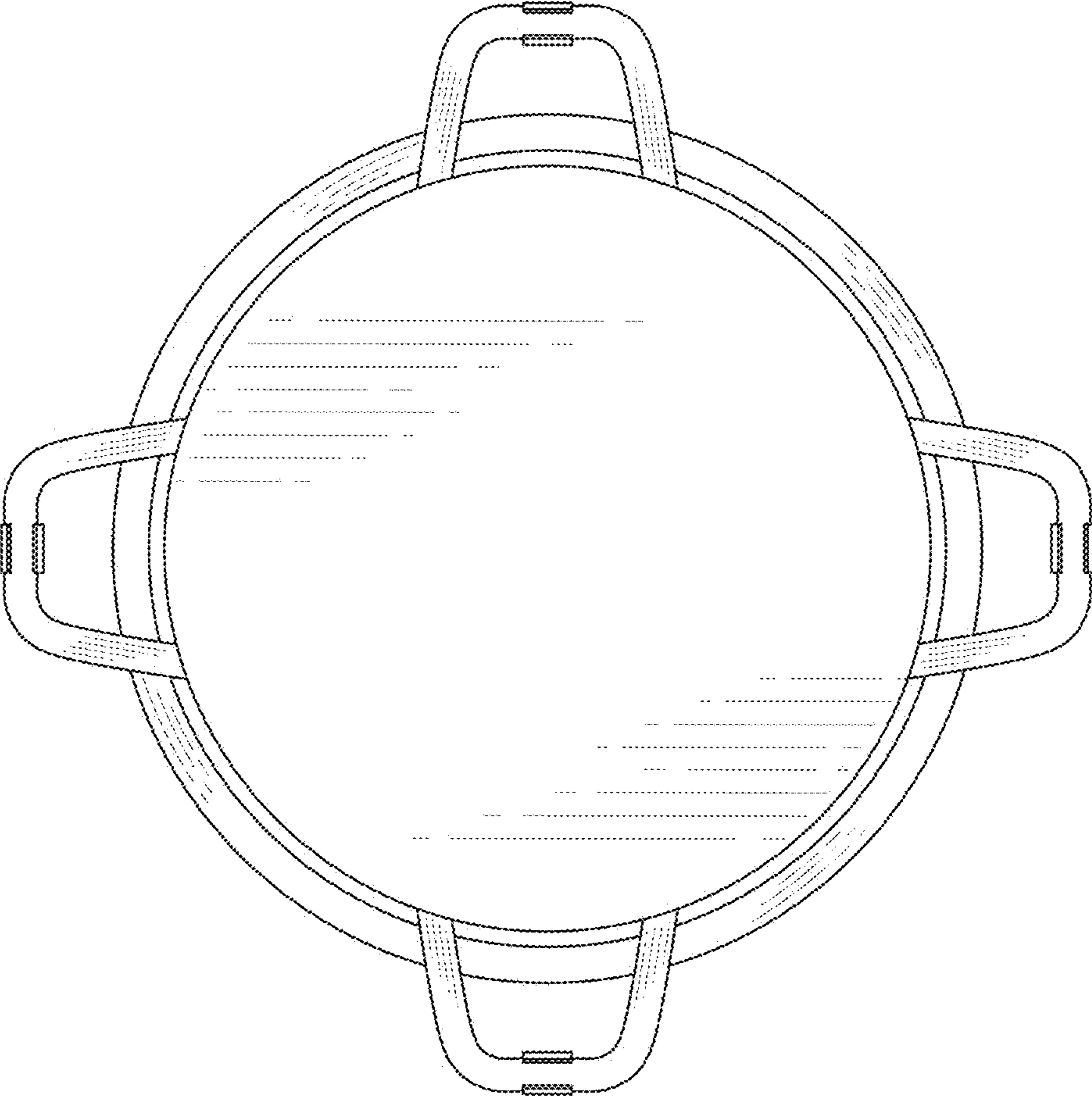


Fig.6

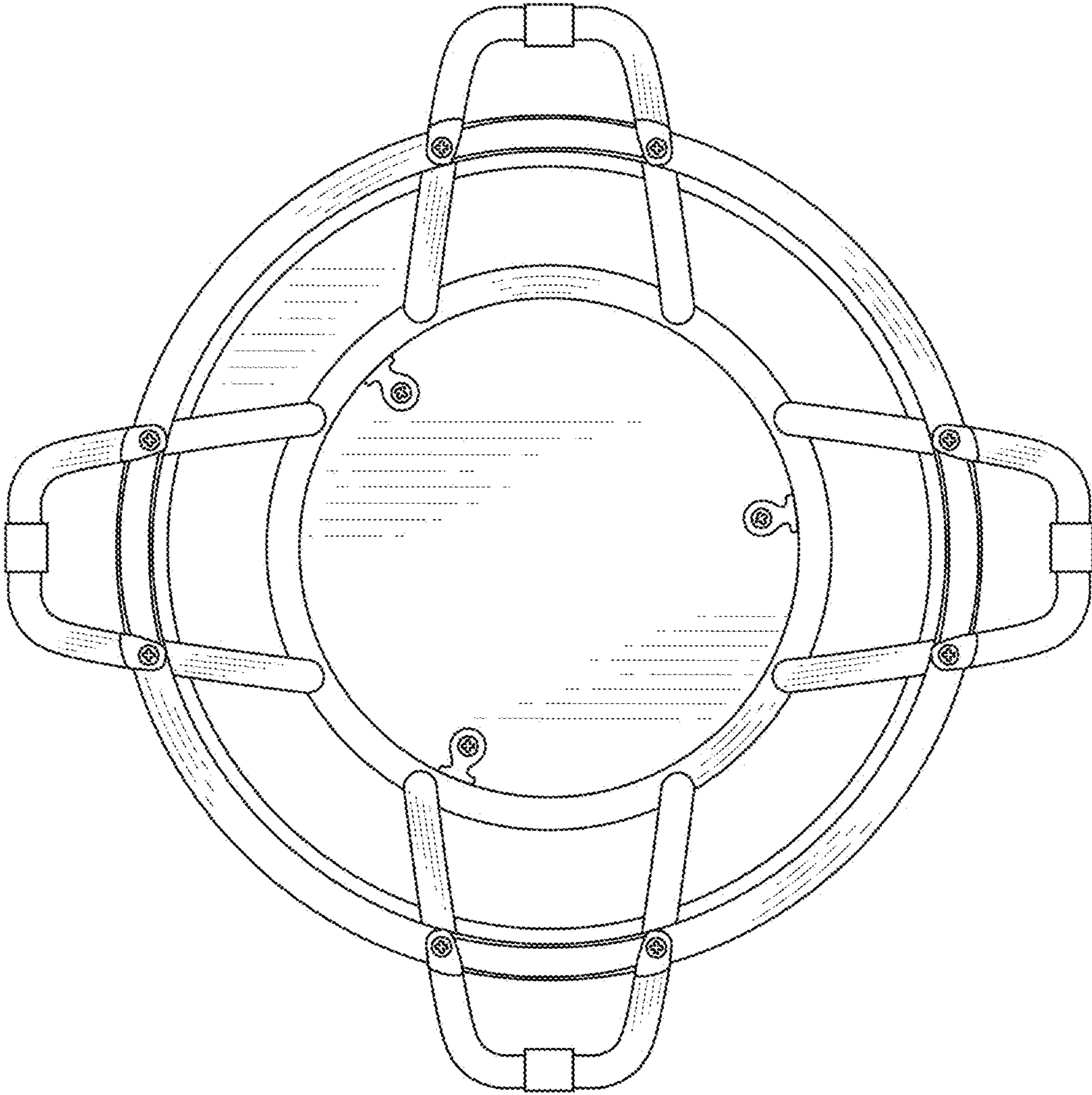


Fig.7