



US00D910324S

(12) **United States Design Patent** (10) **Patent No.:** **US D910,324 S**
Tao (45) **Date of Patent:** **** Feb. 16, 2021**

(54) **WOBBLE CHAIR**
(71) Applicant: **Shou-Ping Tao**, Ningbo (CN)
(72) Inventor: **Shou-Ping Tao**, Ningbo (CN)
(73) Assignee: **Shou-Ping Tao**, Ningbo (CN)
(**) Term: **15 Years**
(21) Appl. No.: **29/653,151**
(22) Filed: **Jun. 13, 2018**
(51) **LOC (13) Cl.** **06-01**
(52) **U.S. Cl.**
USPC **D6/348**
(58) **Field of Classification Search**
USPC D6/348, 349, 352, 353, 364, 365, 375,
D6/692.2, 692.3, 677, 708.2, 716.1;
D21/521
CPC A47C 3/0252; A47C 3/029; A47C 3/026;
A47C 3/025; A47C 3/02; A47C 3/20;
A47C 3/30; A47C 7/008; A47C 7/004;
A47C 7/00; A47C 9/025; A47C 9/002;
A47C 9/00; A61B 5/486; A61B 5/6891
See application file for complete search history.

(56) **References Cited**

U.S. PATENT DOCUMENTS

3,312,437 A * 4/1967 Barth A47C 3/029
248/158
D218,422 S * 8/1970 Crandall D6/708.2
D225,283 S * 11/1972 Axelrod D6/677
4,099,697 A * 7/1978 Von Schuckmann
A47C 3/026
248/398
D283,856 S * 5/1986 Elmaleh D6/349
5,044,587 A * 9/1991 Degen A47C 3/025
108/150
D567,547 S * 4/2008 Gauger D6/692.3

D581,705 S * 12/2008 Li D6/692.3
D745,287 S * 12/2015 Chadwick D6/352
D746,073 S * 12/2015 Elmaleh D6/349
D748,924 S * 2/2016 Walser D6/352
D764,200 S * 8/2016 Elmaleh D6/349
D801,714 S * 11/2017 Elmaleh D6/352
D803,592 S * 11/2017 Lenz D6/349
D807,091 S * 1/2018 Morrison D6/716
D808,183 S * 1/2018 Ono D6/353
D837,545 S * 1/2019 Jahns D6/349
D861,366 S * 10/2019 Jahns D6/364
D864,642 S * 10/2019 Hotchkiss D6/716.1
10,531,743 B2 * 1/2020 Marsh A61B 5/486
2016/0088944 A1 * 3/2016 Walser A47C 3/029
297/313
2017/0332788 A1 * 11/2017 Qi A47C 3/026
2018/0317660 A1 * 11/2018 Marsh A61B 5/486
2019/0200769 A1 * 7/2019 Aono A47C 7/14
2019/0200771 A1 * 7/2019 Marsh A47C 9/10

* cited by examiner

Primary Examiner — Kevin K Rudzinski
Assistant Examiner — Paul D Bohannon
(74) *Attorney, Agent, or Firm* — Dragon Sun Law Firm,
PC; Jinggao Li, Esq.

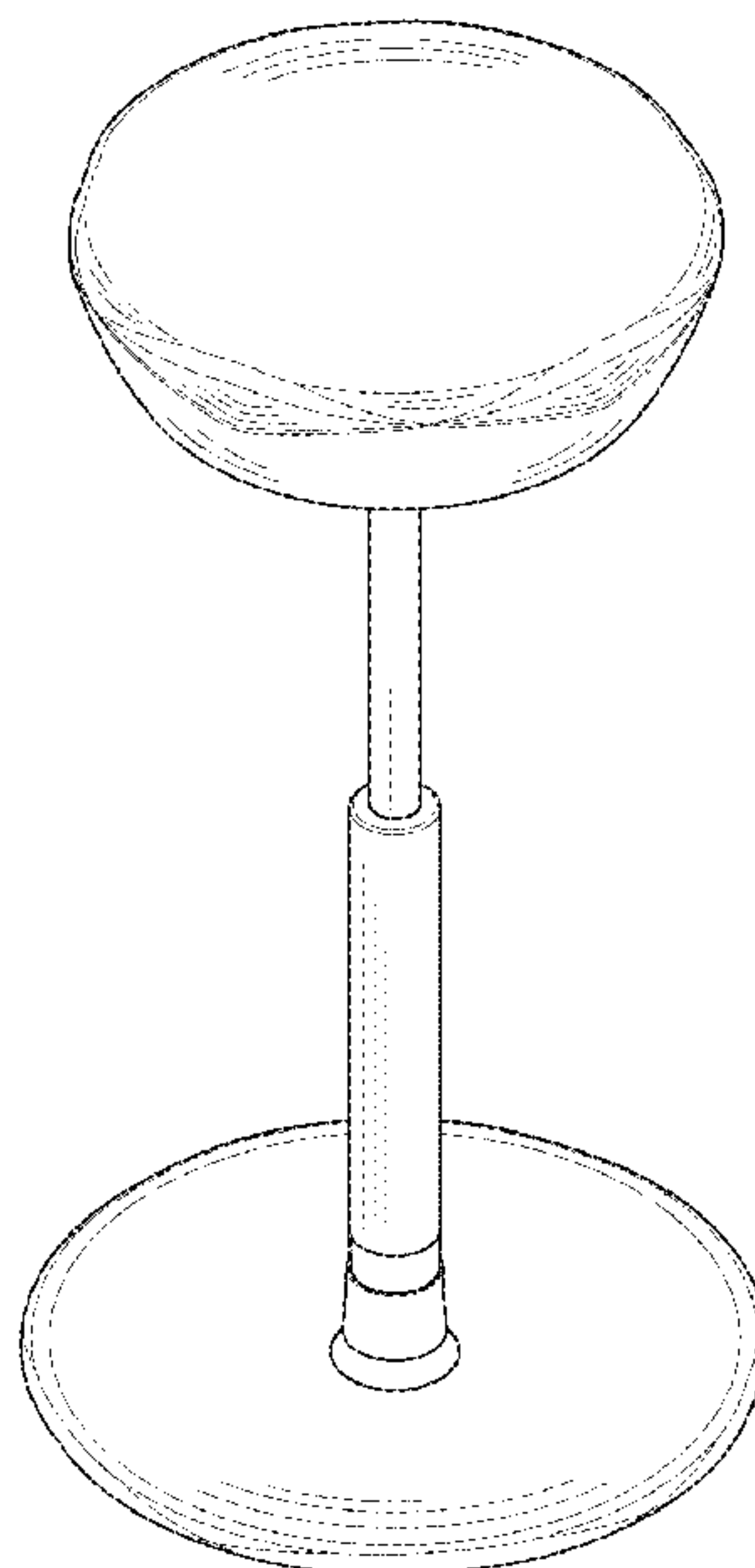
(57) **CLAIM**

The ornamental design for a wobble chair, as shown and described.

DESCRIPTION

FIG. 1 is a perspective view of a wobble chair showing my new design;
FIG. 2 is a front elevational view thereof;
FIG. 3 is a top plan view thereof;
FIG. 4 is a left side elevational view thereof;
FIG. 5 is a rear elevational view thereof;
FIG. 6 is a right side view thereof; and,
FIG. 7 is a bottom plan view thereof.

1 Claim, 7 Drawing Sheets



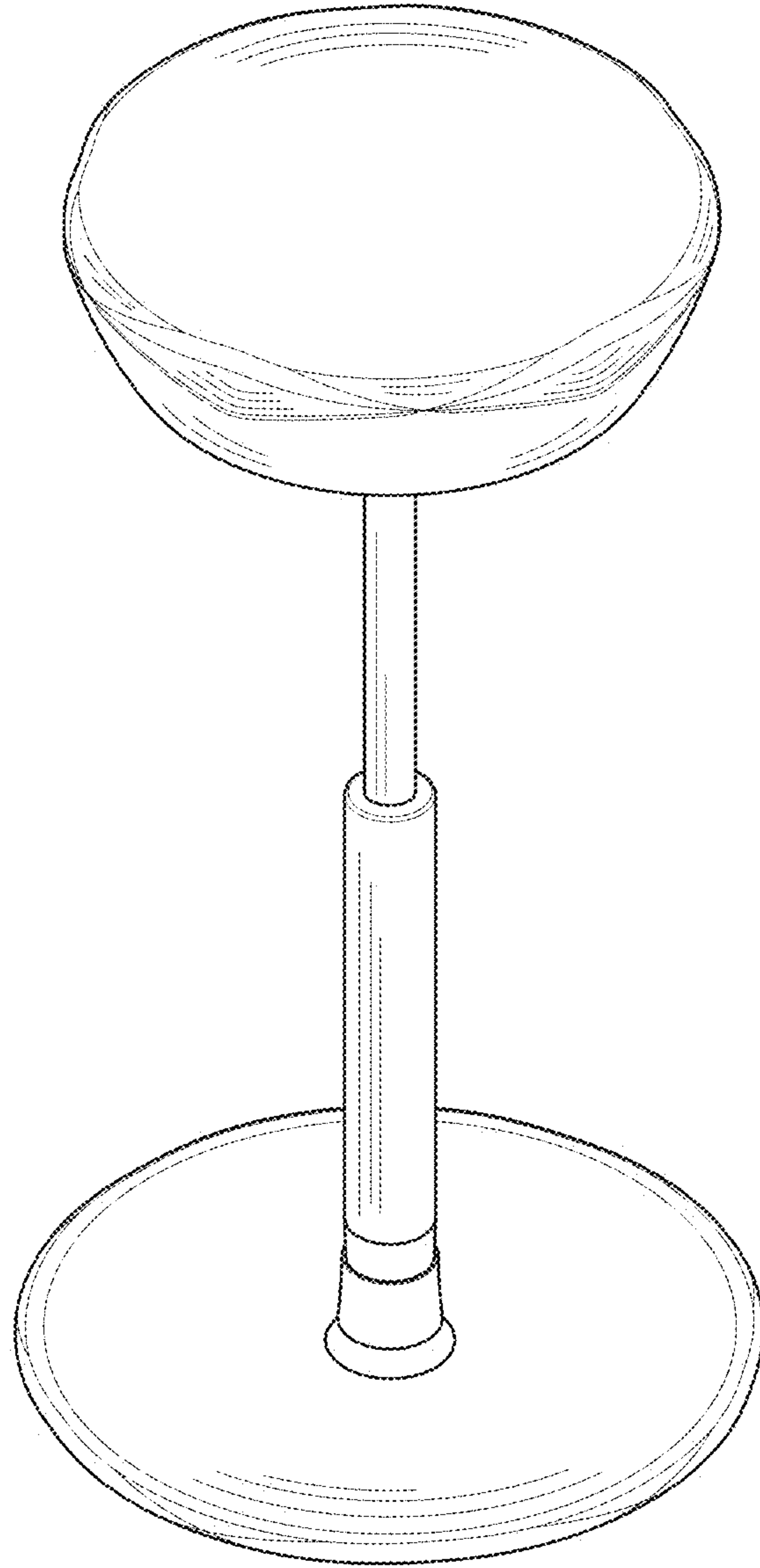


FIG. 1

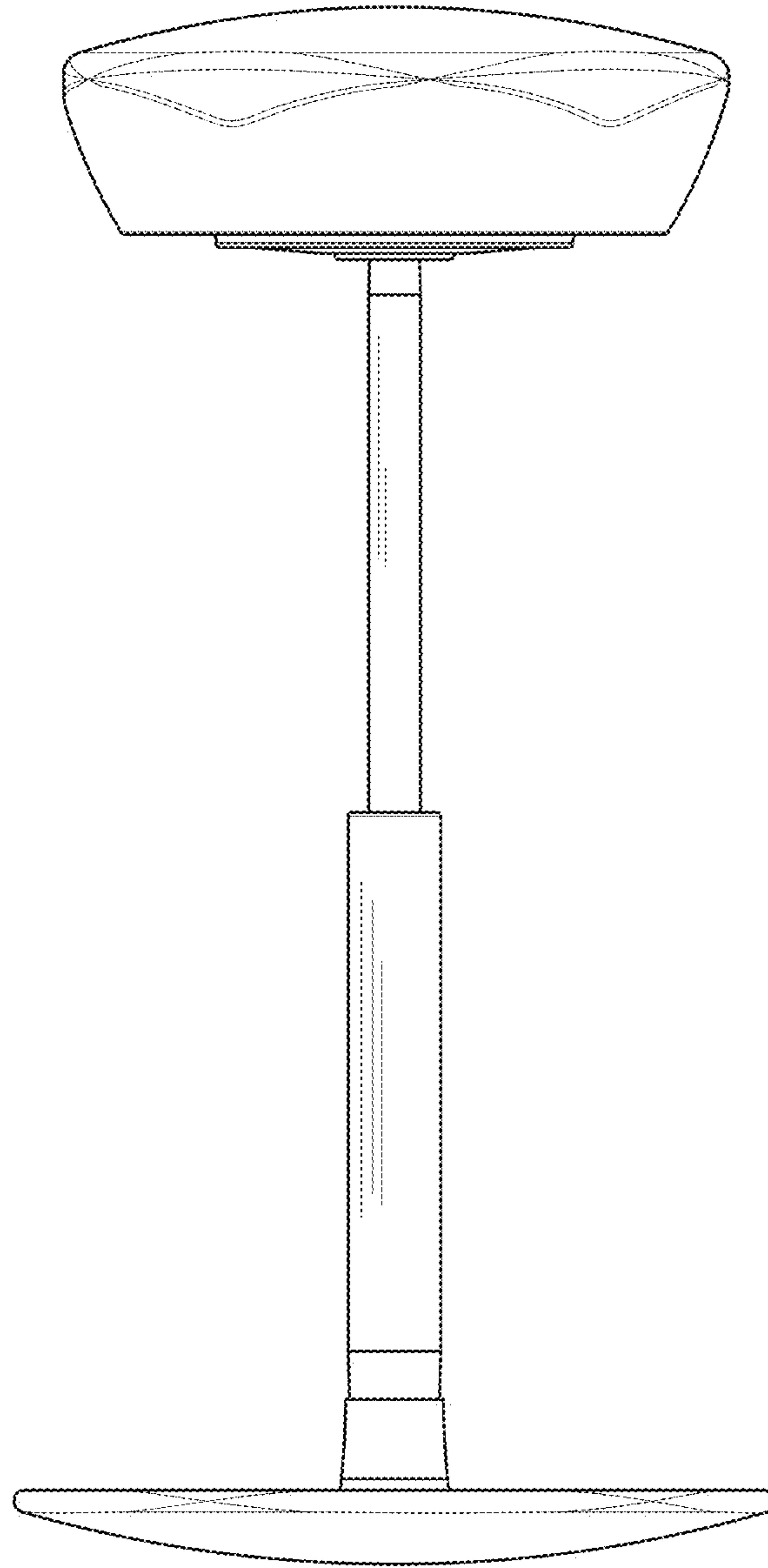


FIG. 2

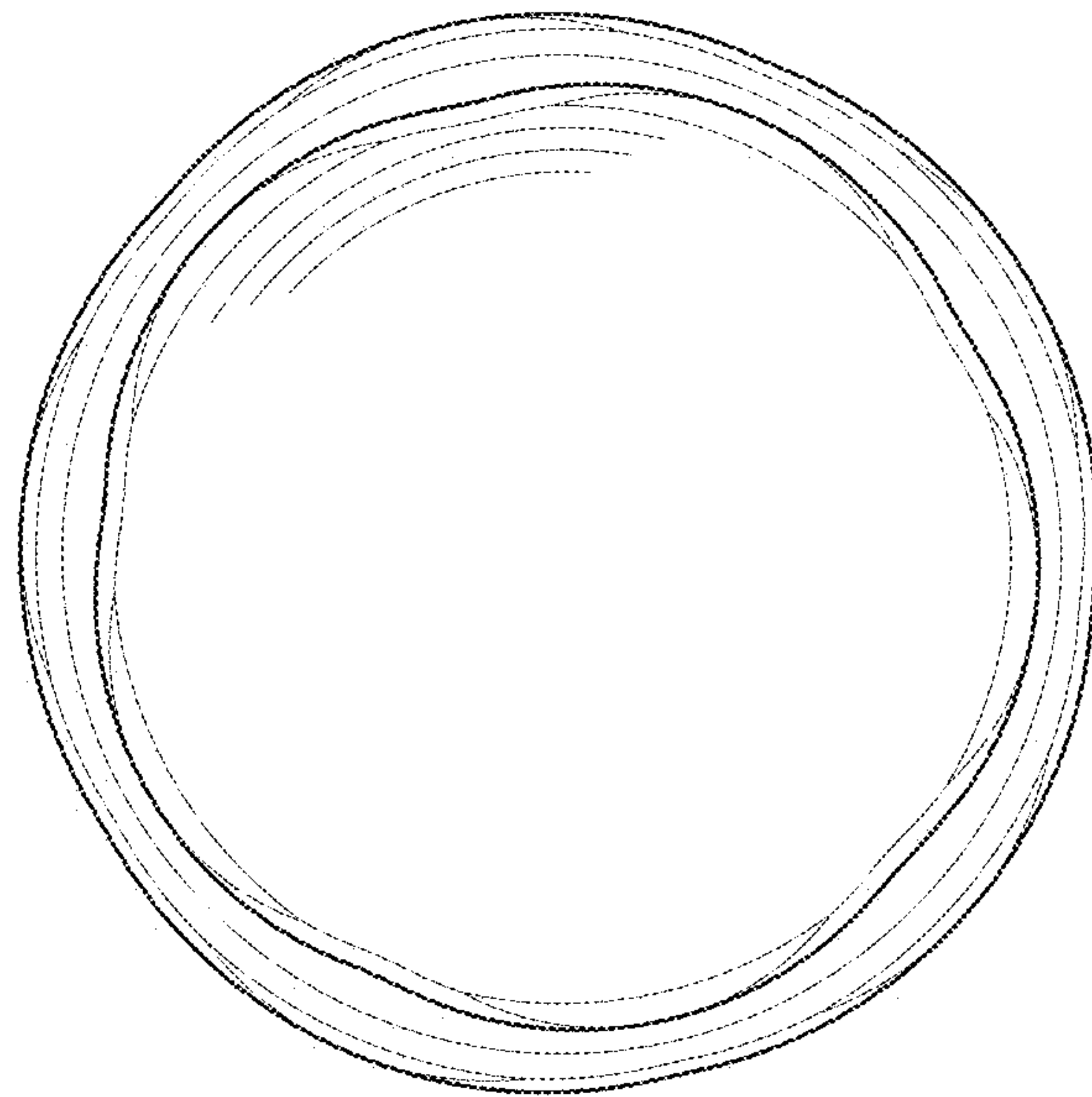


FIG. 3

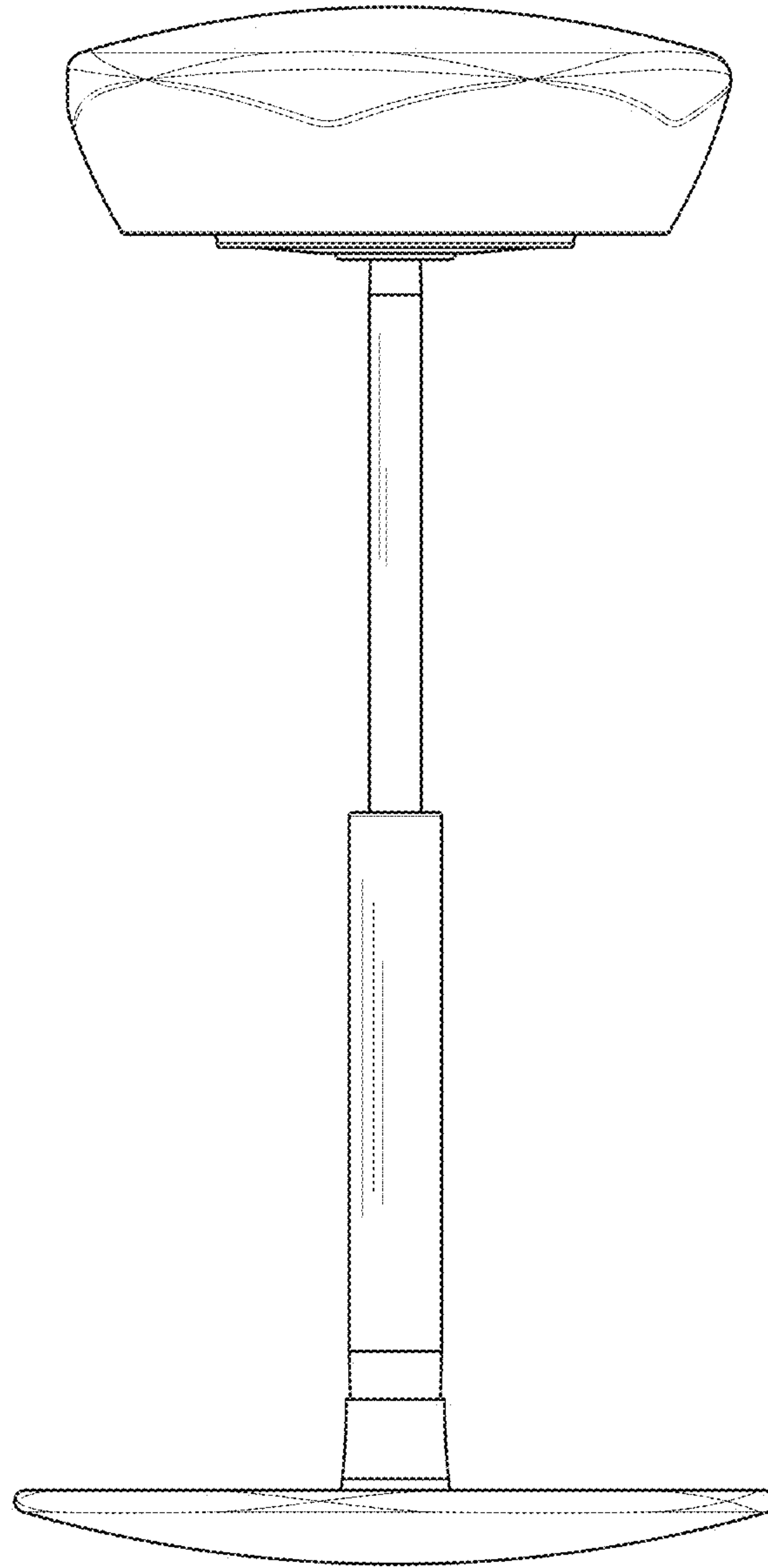


FIG. 4

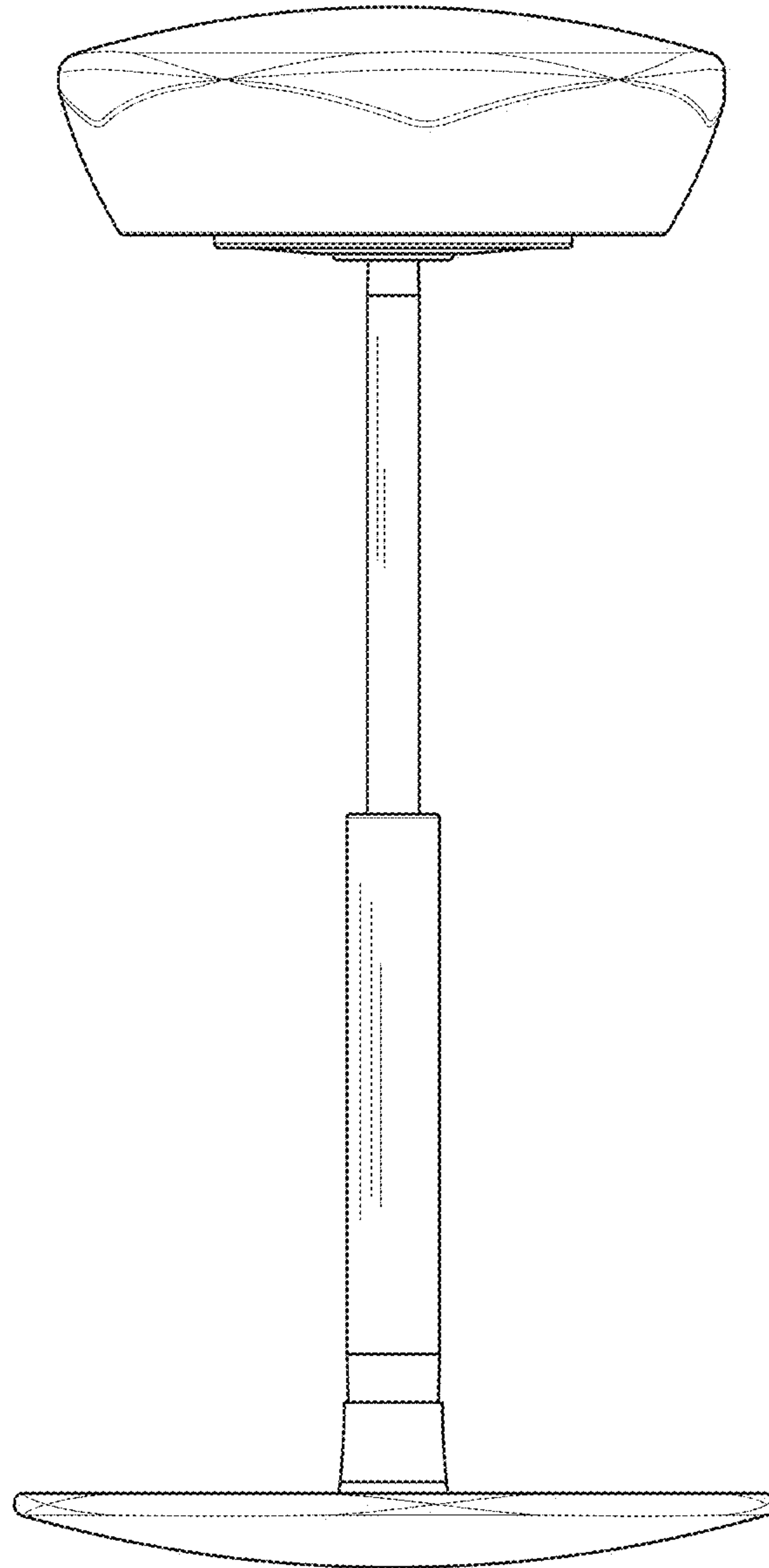


FIG. 5

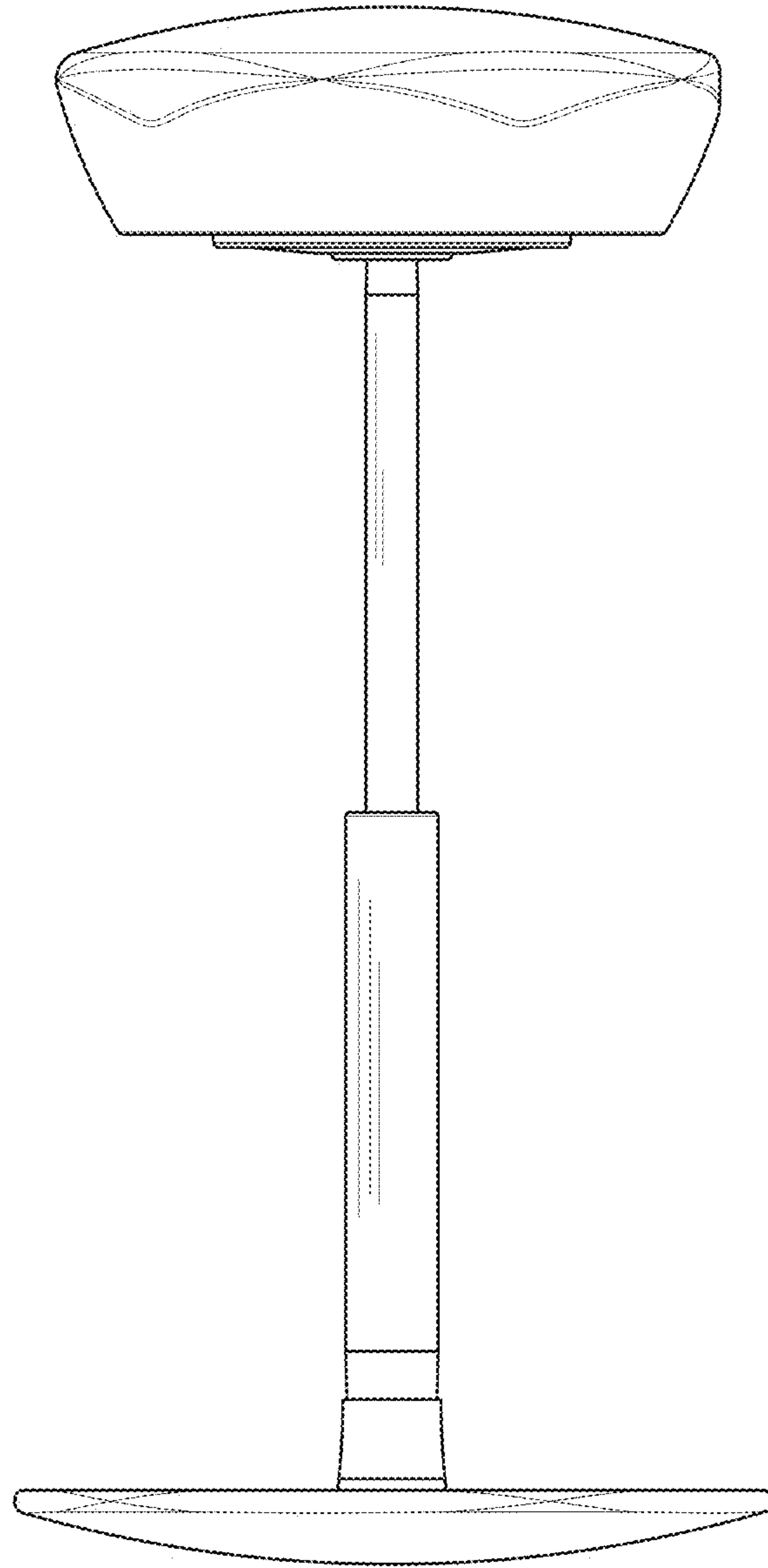


FIG. 6

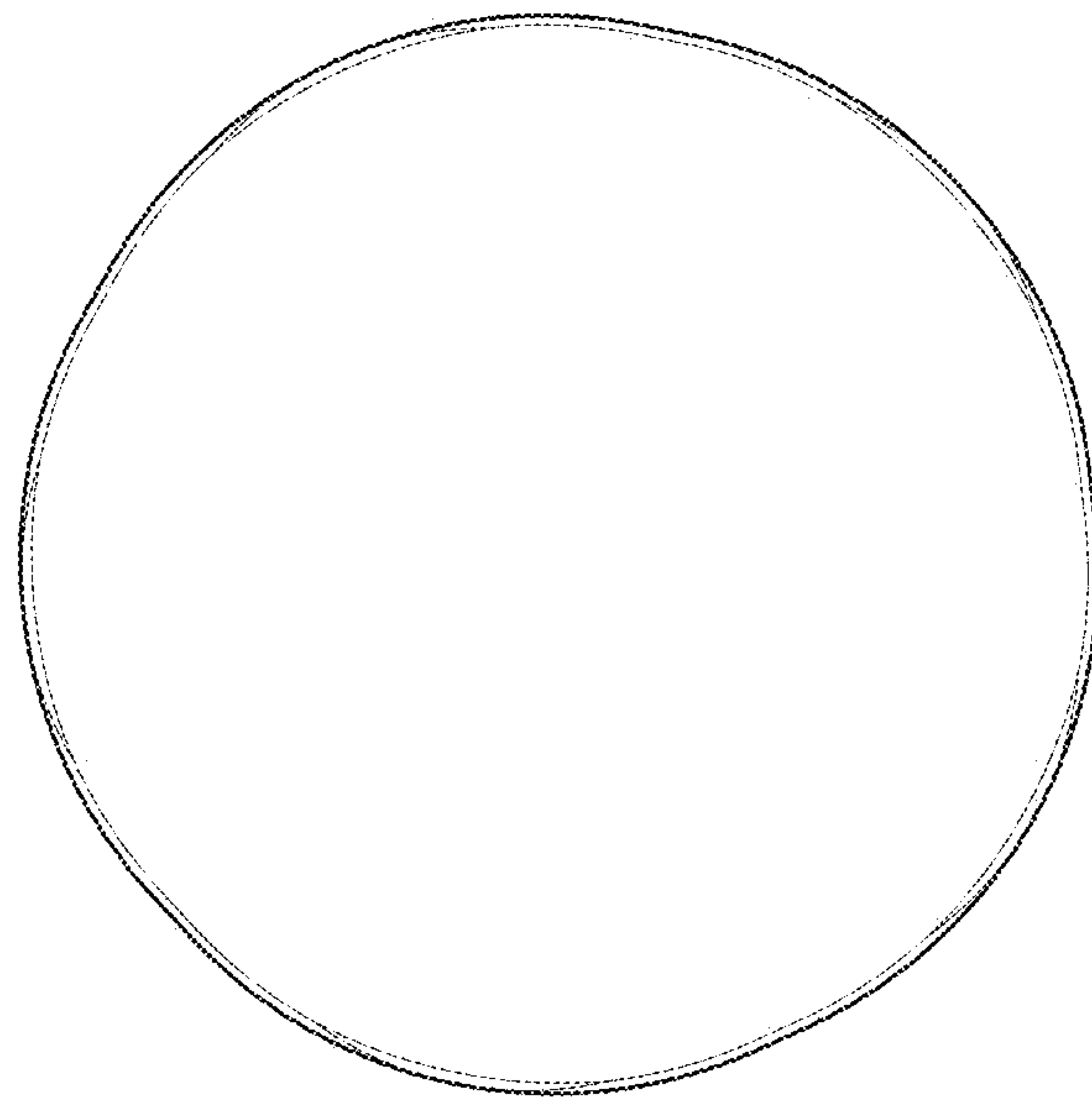


FIG. 7