

US00D910322S

(12) **United States Design Patent** (10) **Patent No.:** **US D910,322 S**
Doherty et al. (45) **Date of Patent:** **** Feb. 16, 2021**

(54) **MAT**

(71) Applicant: **Wexel Art**, Austin, TX (US)

(72) Inventors: **Morgan Doherty**, Austin, TX (US);
Natasha McRee, Austin, TX (US)

(73) Assignee: **Wexel Art, LLC**, Austin, TX (US)

(**) Term: **15 Years**

(21) Appl. No.: **29/681,199**

(22) Filed: **Feb. 22, 2019**

(51) **LOC (13) Cl.** **06-07**

(52) **U.S. Cl.**
USPC **D6/300; D6/309**

(58) **Field of Classification Search**
USPC D6/300, 301, 302, 303, 304, 307, 309,
D6/310, 311, 312, 313, 314; D8/349,
D8/354; D11/132, 133; D13/156;
D20/10, 19, 27, 42; D23/249, 259, 233;
D25/48.3, 48.7, 60, 110, 119, 124
CPC A47G 1/06; A47G 1/0605; A47G 1/0633;
A47G 1/0638; A47G 1/0644; A47G 1/08;
A47G 1/10; A47G 1/14; A47G 1/141;
A47G 1/142; A47G 1/16; A47G 1/1606;
A47G 1/1613; A47G 2001/0661; A47G
(Continued)

(56) **References Cited**

U.S. PATENT DOCUMENTS

D31,074 S * 6/1899 Odgers D6/309
2,998,126 A 8/1961 Jenkins
(Continued)

FOREIGN PATENT DOCUMENTS

EM 000499017-0003 * 3/2006
EP 2222209 B9 10/2012
GB 2450379 A 12/2008

OTHER PUBLICATIONS

Wixelart Instagram post, announced 2018 [online], [site visited Jun. 16, 2020]. Available from internet, URL: <https://www.instagram.com/p/BgBr2FEh_fX/> (Year: 2018).*

(Continued)

Primary Examiner — Cynthia Ramirez

Assistant Examiner — Xavier Marti-Santos

(74) *Attorney, Agent, or Firm* — Sprinkle IP Law Group

(57) **CLAIM**

The ornamental design for a mat, as shown and described.

DESCRIPTION

FIG. 1 is a front view of a mat, showing a first embodiment of the new design;

FIG. 2 is a rear view of the new design of FIG. 1;

FIG. 3 is a side view of the new design of FIG. 1;

FIG. 4 is a front perspective view of the new design of FIG. 1;

FIG. 5 is a front perspective view of the new design of FIG. 1 in condition of use;

FIG. 6 is a front view of a mat, showing a second embodiment of the new design;

FIG. 7 is a front perspective view of the new design of FIG. 6 in condition of use;

FIG. 8 is a front view of a mat, showing a third embodiment of the new design;

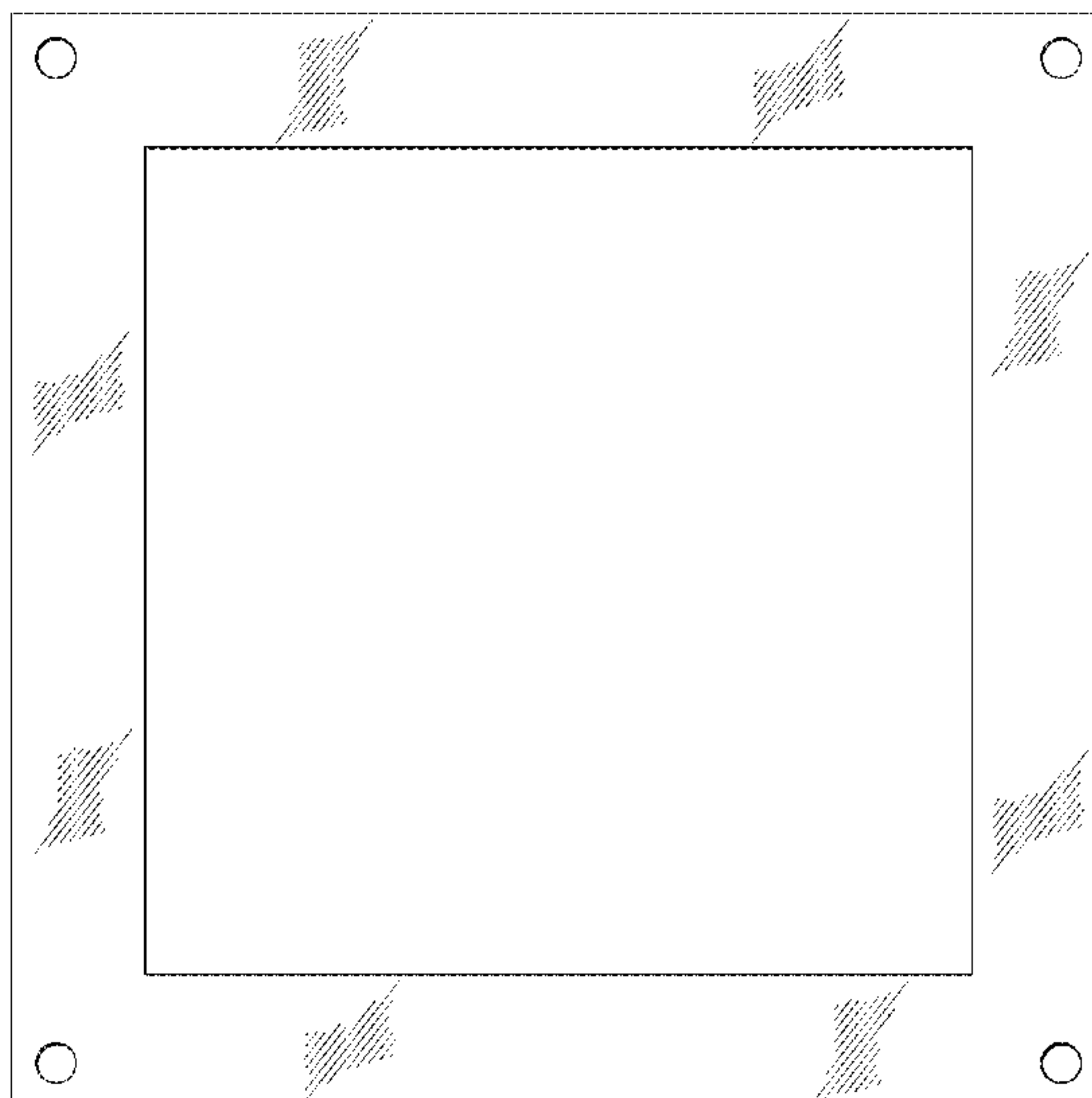
FIG. 9 is a front view of a clear mat having an interior opening of a boxy shape, four corner holes, and four additional holes along the center of each edge of the clear mat, showing another a fourth embodiment of the new design;

FIG. 10 is a front view of a mat, showing a fifth embodiment of the new design; and,

FIG. 11 is a front view of a mat, showing a sixth embodiment of the new design.

The broken lines in the figures are to show environment and form no part of the claimed design.

1 Claim, 11 Drawing Sheets



(58) **Field of Classification Search**

CPC 2001/0672; A47G 2001/0688; A47G
2001/148; E03D 11/16; E03D 11/17;
F16L 23/003; F16L 23/032

See application file for complete search history.

2003/0014892 A1* 1/2003 Matsuda G09F 3/20
40/661
2007/0119083 A1 5/2007 Diller
2015/0027017 A1 1/2015 Gregerson
2020/0268179 A1 8/2020 Doherty et al.

(56)

References Cited

U.S. PATENT DOCUMENTS

D224,877 S * 10/1972 Fendrick D6/300
4,010,845 A 3/1977 Bloomfield
4,402,399 A 9/1983 Friess
5,502,907 A * 4/1996 Wang A47G 1/14
248/455
5,586,401 A * 12/1996 Sheehan G09F 1/12
40/737
D388,077 S * 12/1997 Starck D11/132
D389,323 S * 1/1998 Buchert D6/300
5,960,573 A 10/1999 Wong
D418,984 S * 1/2000 Koconis D6/300
D442,197 S * 5/2001 Willet D15/143
D445,262 S * 7/2001 Rowan D6/300
6,460,280 B1 10/2002 Haines-Woon
6,865,837 B2 3/2005 Matteau et al.
D518,300 S * 4/2006 Dele-Ogunrinde D6/301
7,412,792 B2 8/2008 Hale
8,365,452 B2 2/2013 Goldman
9,380,892 B2 7/2016 Kallinger
D807,058 S * 1/2018 Gilad D6/309
D829,449 S * 10/2018 Orsi D6/300
D846,891 S * 4/2019 Doherty D6/310
10,660,460 B2 * 5/2020 Gray A47G 1/16

OTHER PUBLICATIONS

Record Album Frame with 12×12" Acrylic Mat [online], [site visited Jun. 16, 2020]. Available from internet, URL: <https://wixelart.com/products/record-album-12x12-acrylic-mat?_pos=1&_sid=45bde1a93&_ss=r&variant=12188803399782> (Year: 2020).*

SF-Z0068 1620927 Phoenix Contact Square mounting flange [online], [site visited Jun. 16, 2020]. Available from internet, URL: <<https://www.electricalautomationnetwork.com/en/phoenixcontact/mstbt-25-3-st-rd-1620927-phoenixcontact-square-mounting-flange-sf-z0068-1620927>> (Year: 2020).*

Alloy Steel AISI 4130 Square Flanges [online], [site visited Jun. 16, 2020]. Available from internet, URL: <<http://www.4130pipefittings.com/aisi-4130-alloysteel/aisi-4130-alloysteel-flange-flanges/alloysteel-flanges-type-aisi-4130-square-flanges/index.html>> (Year: 2020).*

Square Flange 4" [online], [site visited Jun. 16, 2020]. Available from internet, URL: <<https://www.salcoproducts.com/pd4ssf>> (Year: 2020).*

Border Acrylic Frame [online], [site visited Jun. 16, 2020]. Available from internet, URL: <<https://www.12timbers.com/products/copy-of-look-what-i-made-acrylic-frame>> (Year: 2020).*

Office Action issued for U.S. Appl. No. 16/797,878, dated Jun. 22, 2020, 13 pages.

Office Action issued for U.S. Appl. No. 16/797,878, datd Oct. 6, 2020, 10 pages.

* cited by examiner

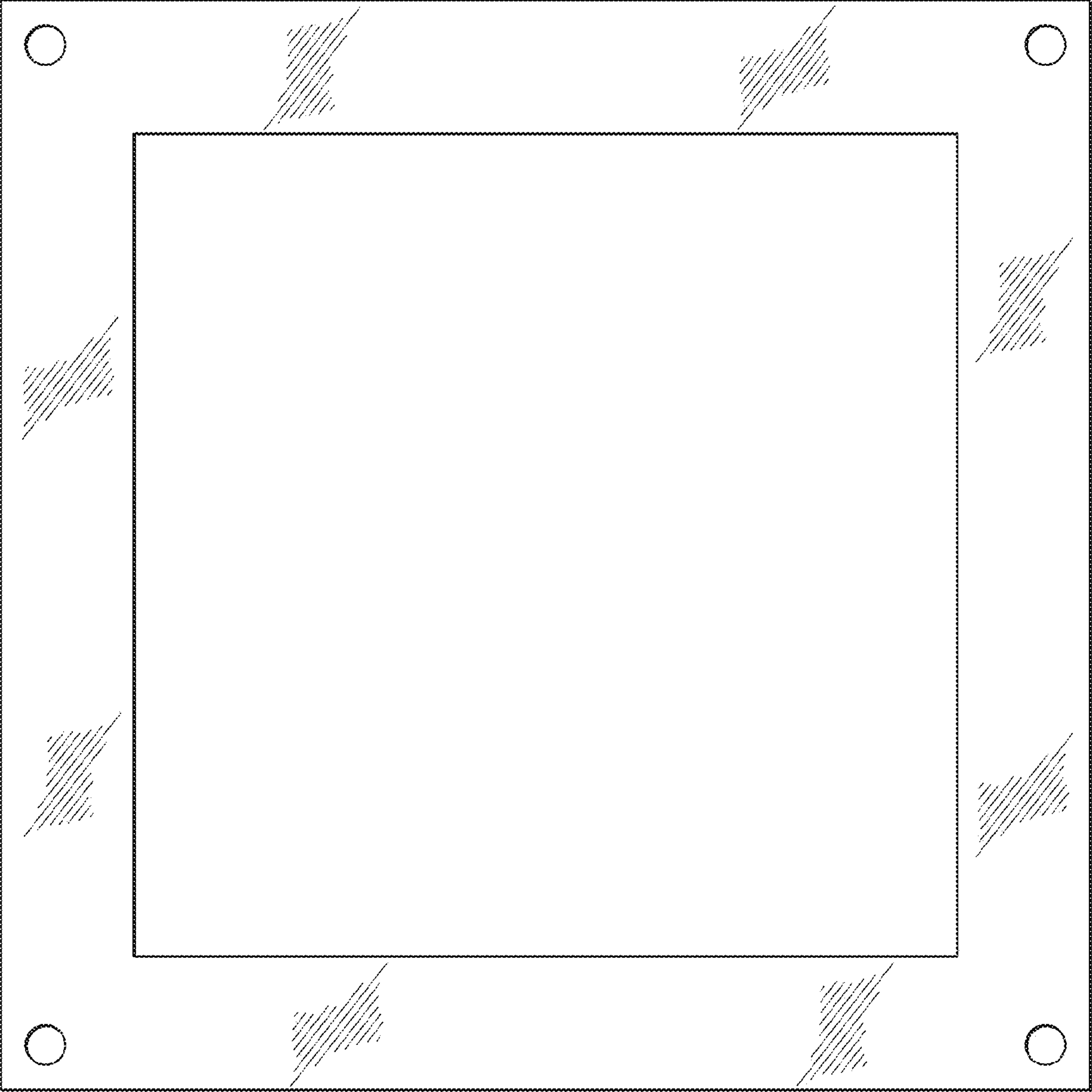


FIG. 1

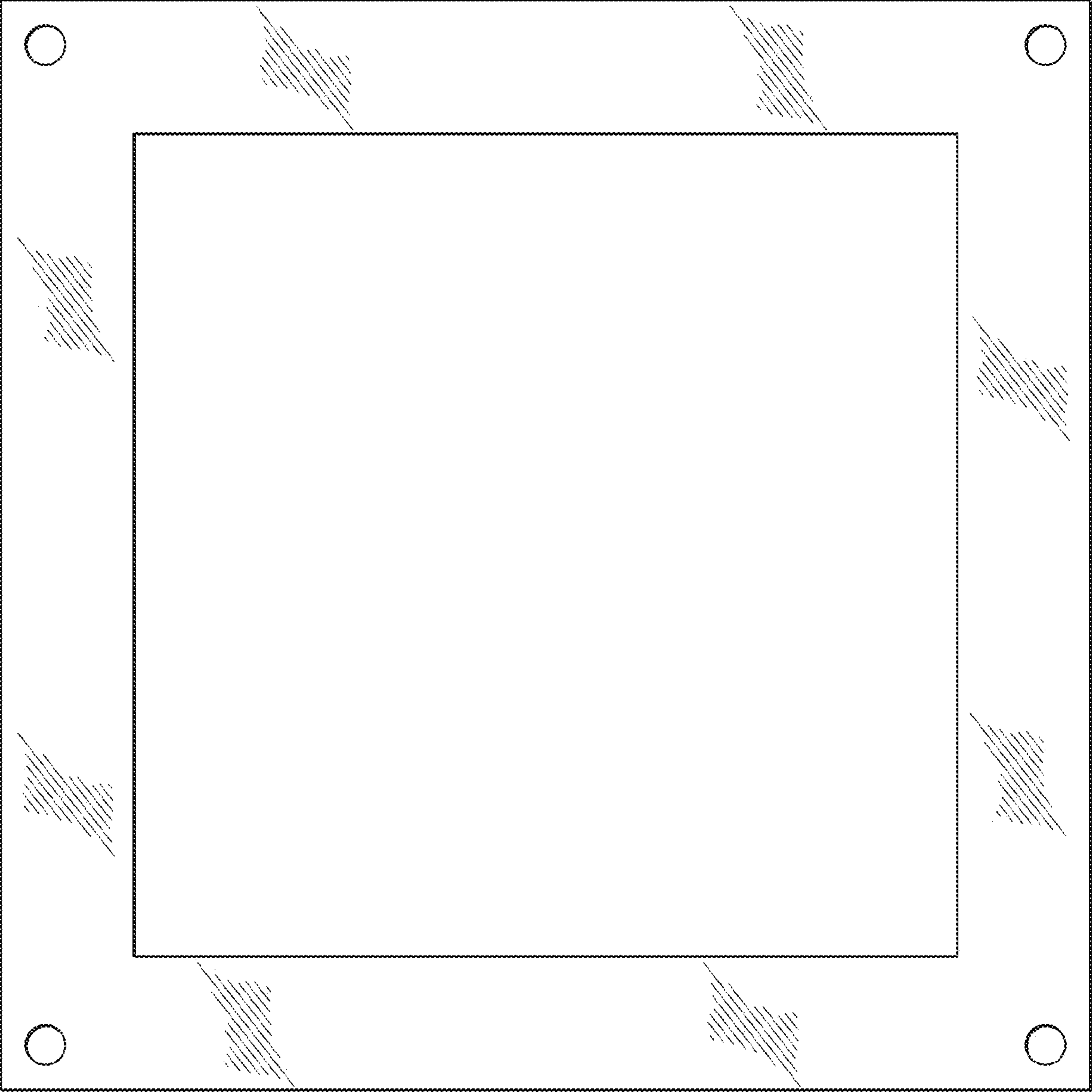


FIG. 2



FIG. 3

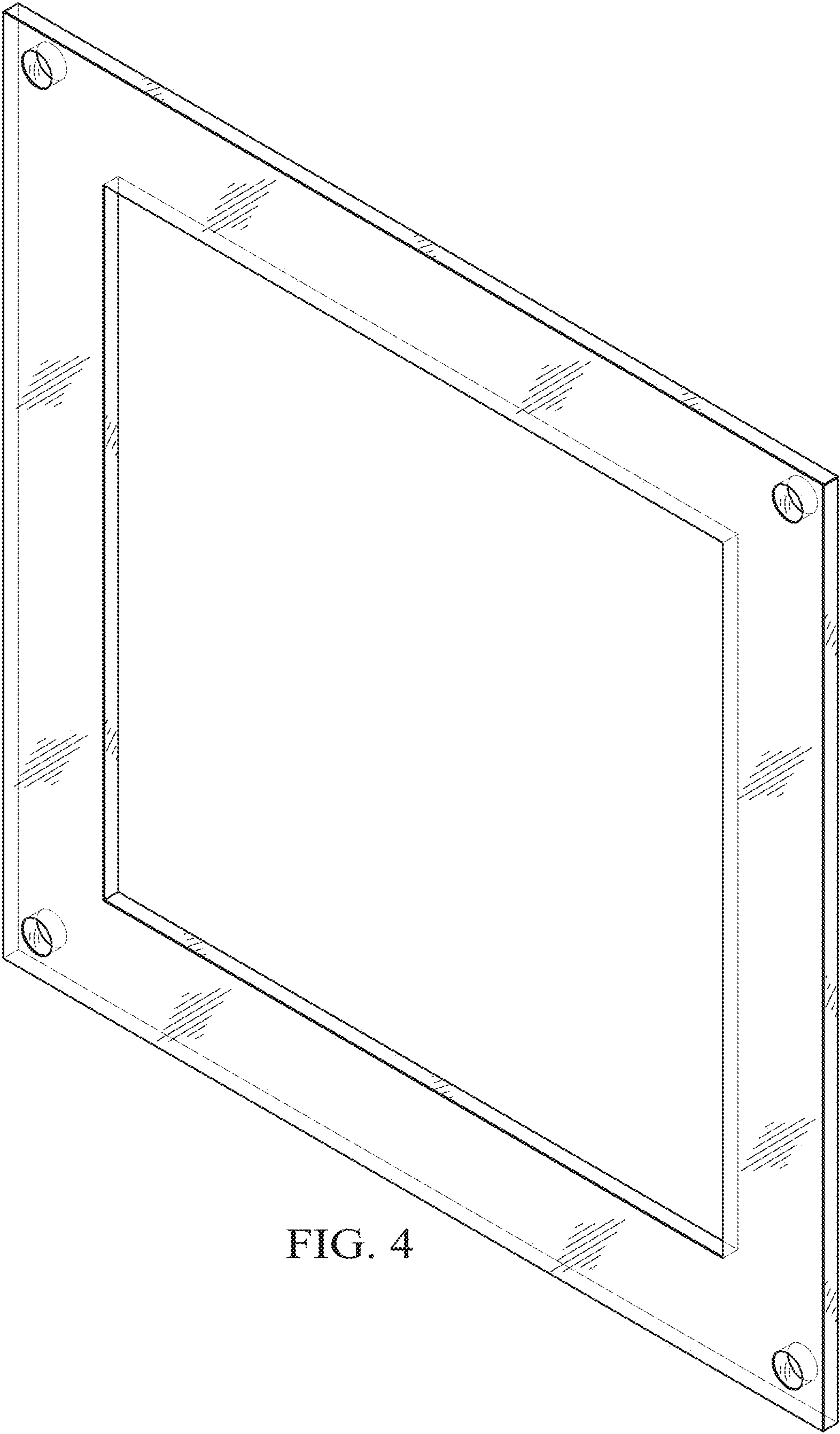


FIG. 4

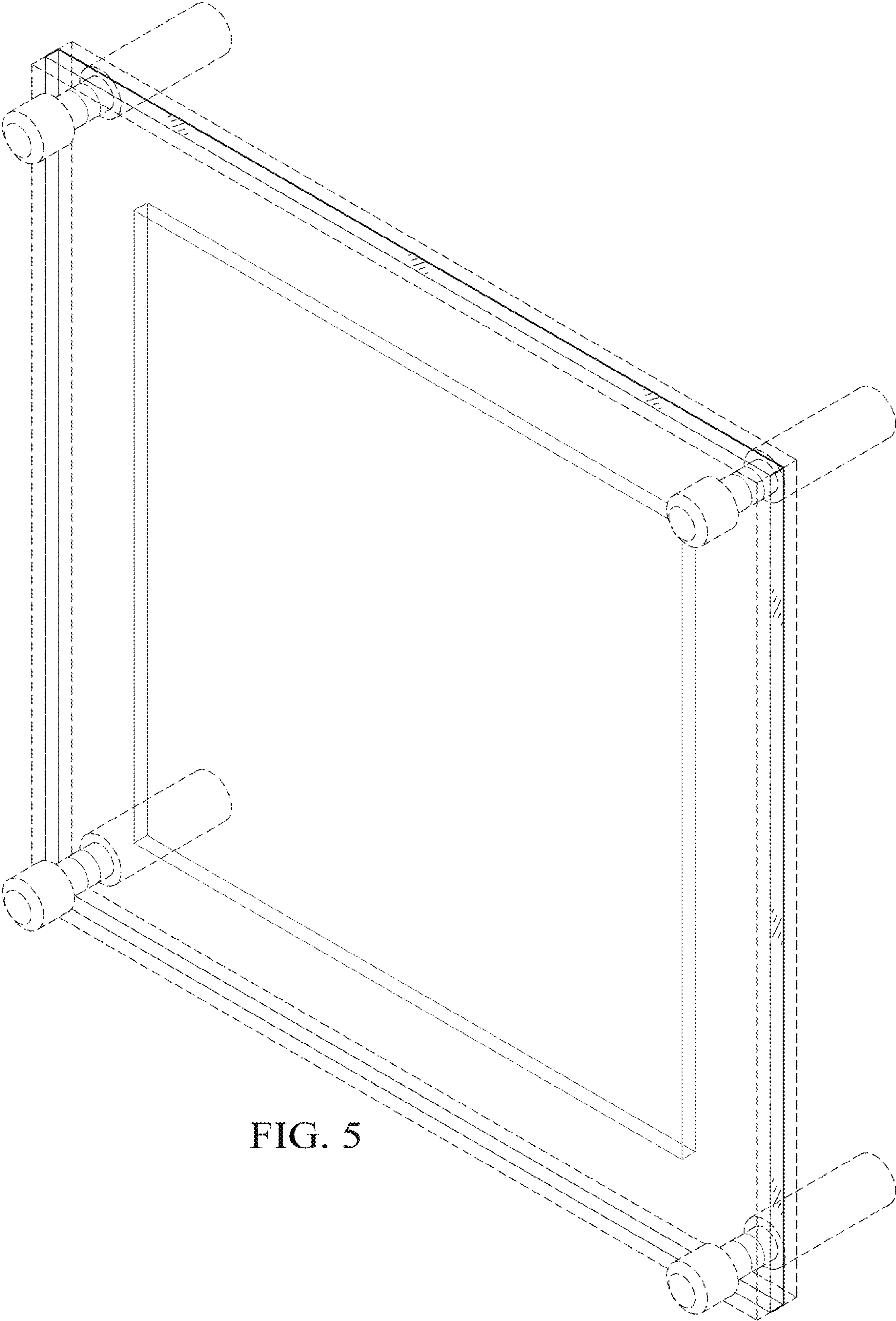


FIG. 5

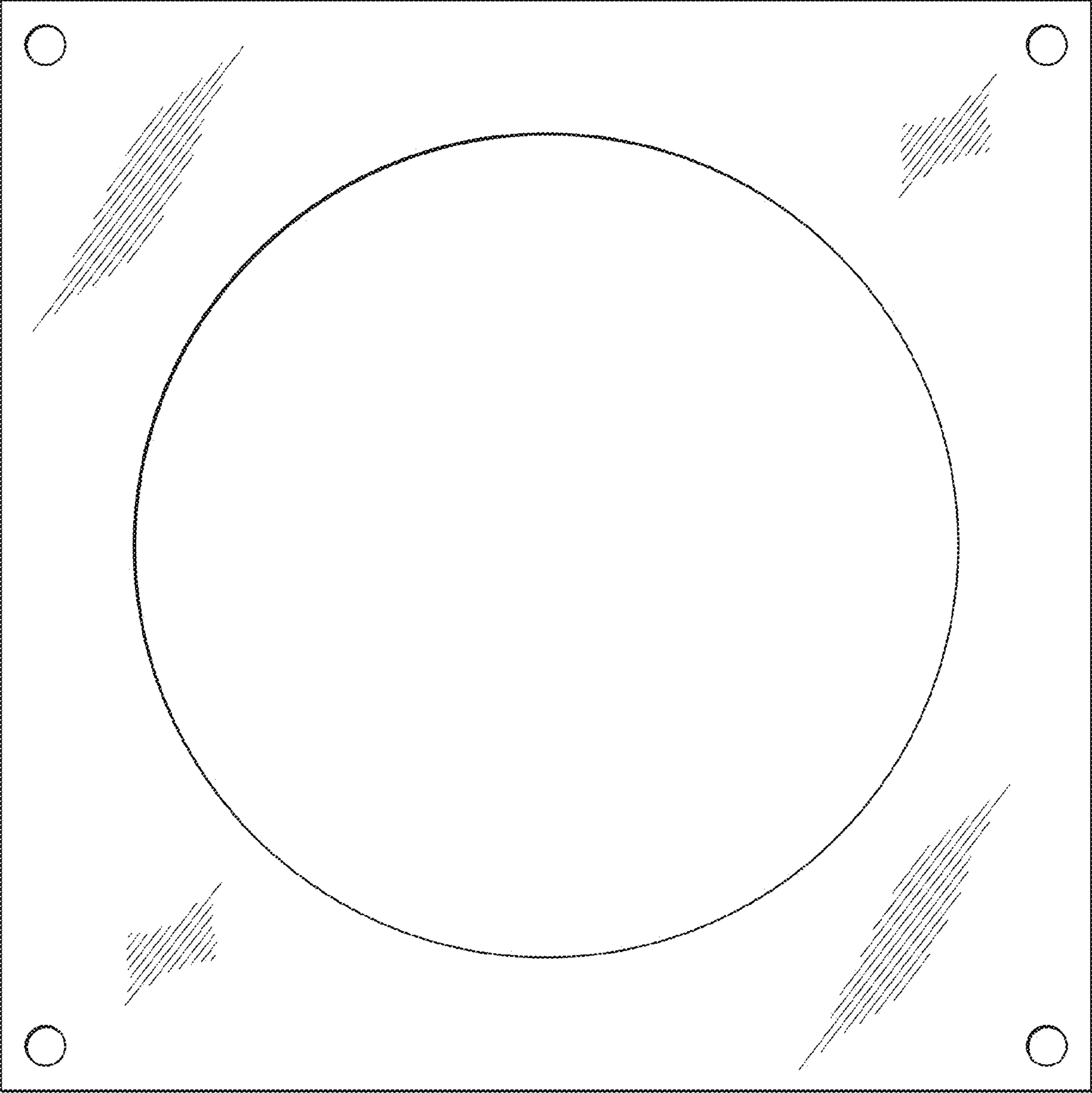


FIG. 6

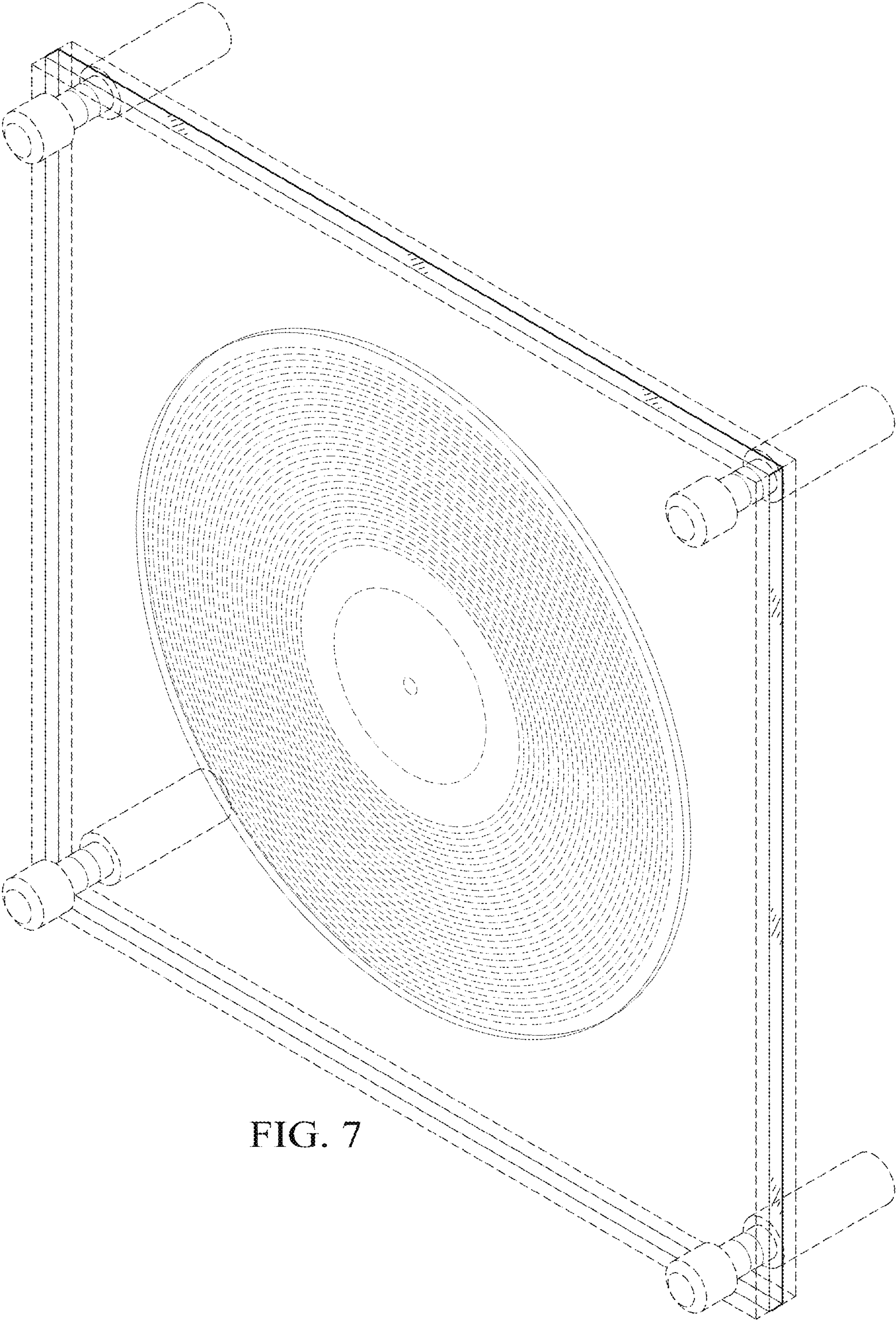


FIG. 7

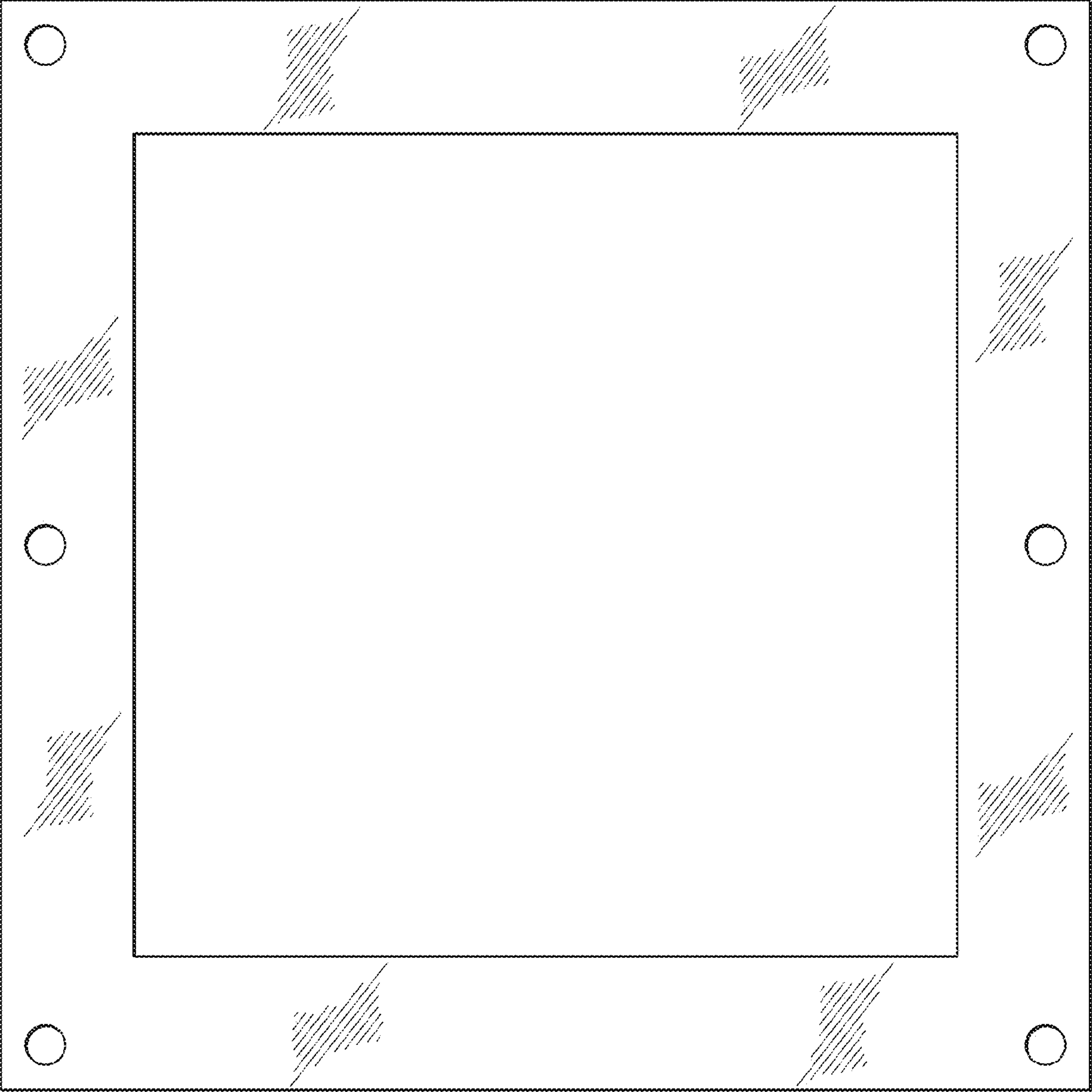


FIG. 8

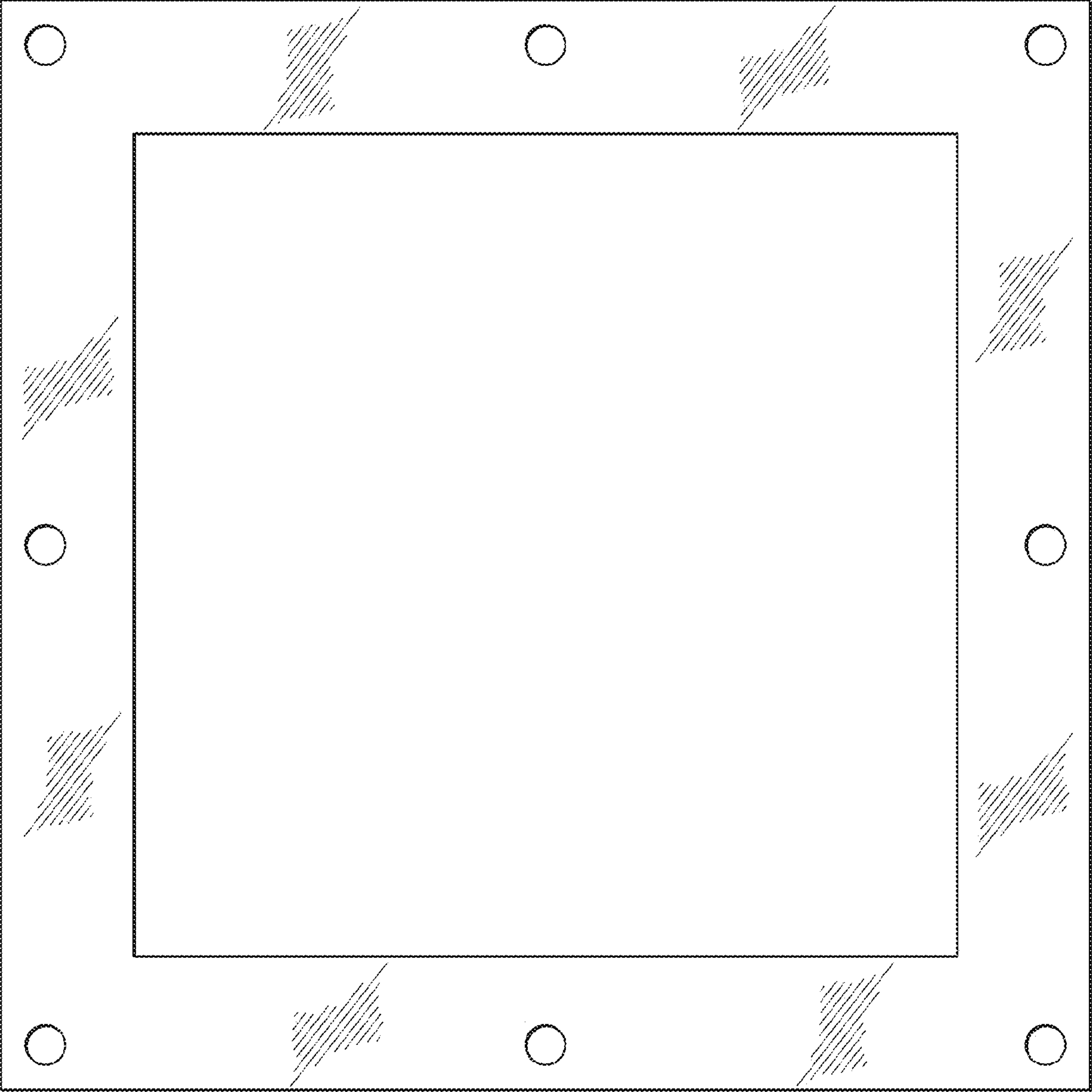


FIG. 9

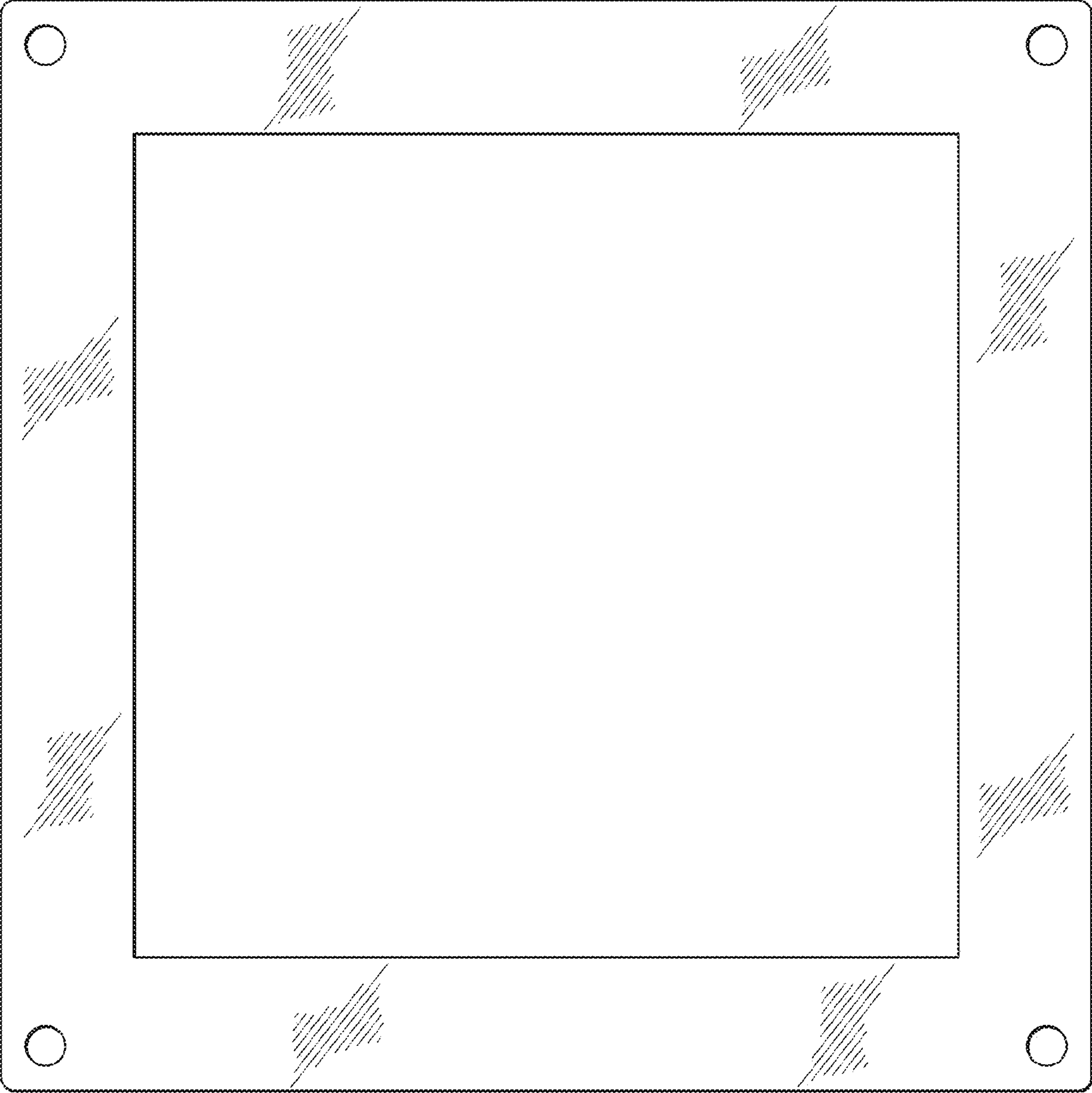


FIG. 10

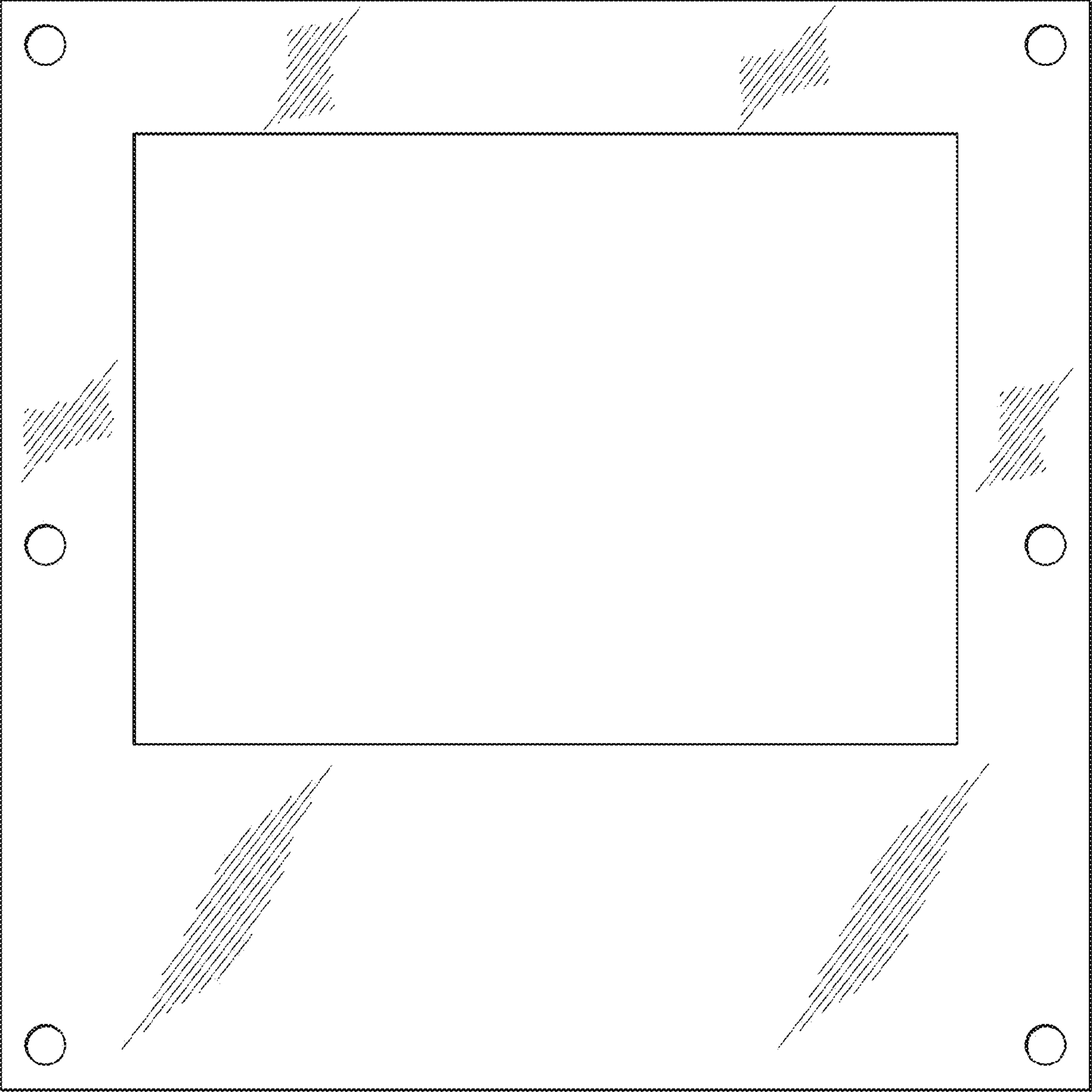


FIG. 11