



US00D910312S

(12) **United States Design Patent** (10) **Patent No.:** **US D910,312 S**
Reinhart et al. (45) **Date of Patent:** **** Feb. 16, 2021**

(54) **BASE WALL OF TOTE**
(71) Applicant: **CREATIVE PLASTIC CONCEPTS, LLC**, Sycamore, OH (US)
(72) Inventors: **Nickolas Reinhart**, Findlay, OH (US); **Jacob H. Whitta**, Findlay, OH (US)
(73) Assignee: **CREATIVE PLASTIC CONCEPTS, LLC**, Sycamore, OH (US)

D812,377 S * 3/2018 Shpitzer D3/304
D832,577 S * 11/2018 Ogilvie D3/304
D834,315 S 11/2018 Reinhart
D888,604 S * 6/2020 Calle A01G 25/023
D11/155
2019/0092524 A1 3/2019 Reinhart

(**) Term: **15 Years**
(21) Appl. No.: **29/699,869**

* cited by examiner
Primary Examiner — Kelley A Donnelly
(74) *Attorney, Agent, or Firm* — Jacob M. Ward; Ward Law Office LLC

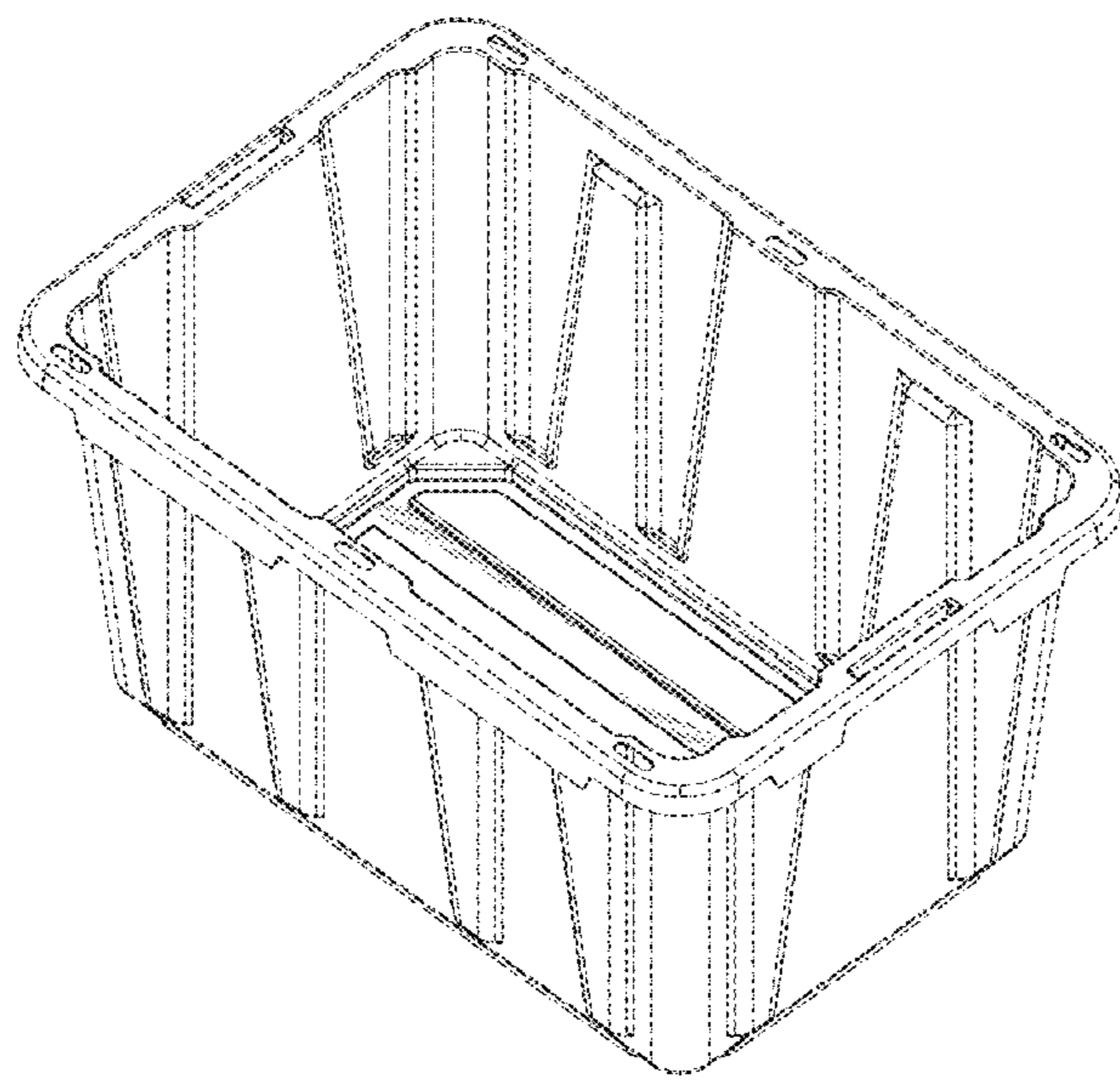
(22) Filed: **Jul. 30, 2019**
(51) **LOC (13) Cl.** **03-01**
(52) **U.S. Cl.**
USPC **D3/304**
(58) **Field of Classification Search**
USPC D6/672, 675, 682, 682.1, 683, 683.1;
D3/304, 307, 308, 309, 314, 315
CPC ... B65D 1/00; B65D 1/22; B65D 1/24; B65D
1/243; B65D 11/20; B65D 11/00
See application file for complete search history.

(57) **CLAIM**
The ornamental design for a base wall of tote, as shown and described.

(56) **References Cited**
U.S. PATENT DOCUMENTS
D197,311 S * 1/1964 Spaak et al. D3/307
D246,872 S * 1/1978 White D3/304
D248,280 S * 6/1978 Martin D3/304
4,416,374 A * 11/1983 Smith B65D 21/045
206/507
D341,461 S * 11/1993 Davidson D3/312
D549,454 S * 8/2007 Åhman D3/304
D648,535 S * 11/2011 Reinhart D3/302
D743,171 S 11/2015 Reinhart
D746,131 S * 12/2015 Astorga D9/425
D756,652 S 5/2016 Reinhart
D762,387 S * 8/2016 Green D3/304
D794,958 S * 8/2017 Reinhart D3/307
D797,453 S * 9/2017 Shamp D3/314

DESCRIPTION
FIG. 1 is a top perspective view of a base wall of tote according to the present disclosure;
FIG. 2 is a bottom perspective view of the base wall of tote shown in FIG. 1;
FIG. 3 is a left elevational view of the base wall of tote shown in FIG. 1;
FIG. 4 is a front elevational view of the base wall of tote shown in FIG. 1;
FIG. 5 is a top plan view of the base wall of tote in FIG. 1; and,
FIG. 6 is a bottom plan view of the base wall of tote shown in FIG. 1.
A right side elevational view of the base wall of tote is not shown because it is identical to the left side elevational view shown in FIG. 3.
A rear elevational view of the base wall of tote is not shown because it is identical to the front elevational view shown in FIG. 4.
The ornamental design which is claimed is shown in solid lines in the drawings. The broken lines illustrate environmental structure and form no part of the claimed design.

1 Claim, 3 Drawing Sheets



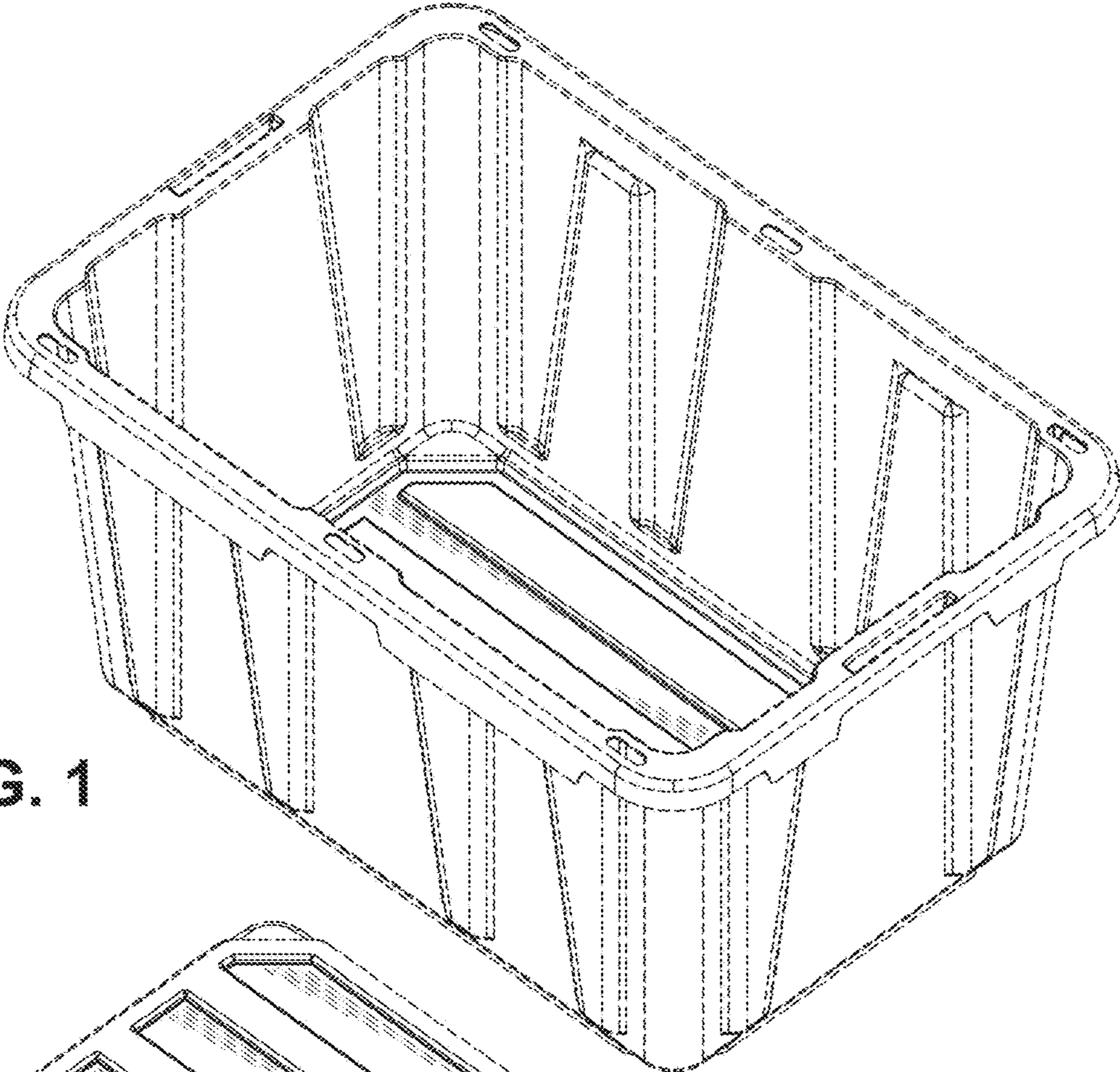


FIG. 1

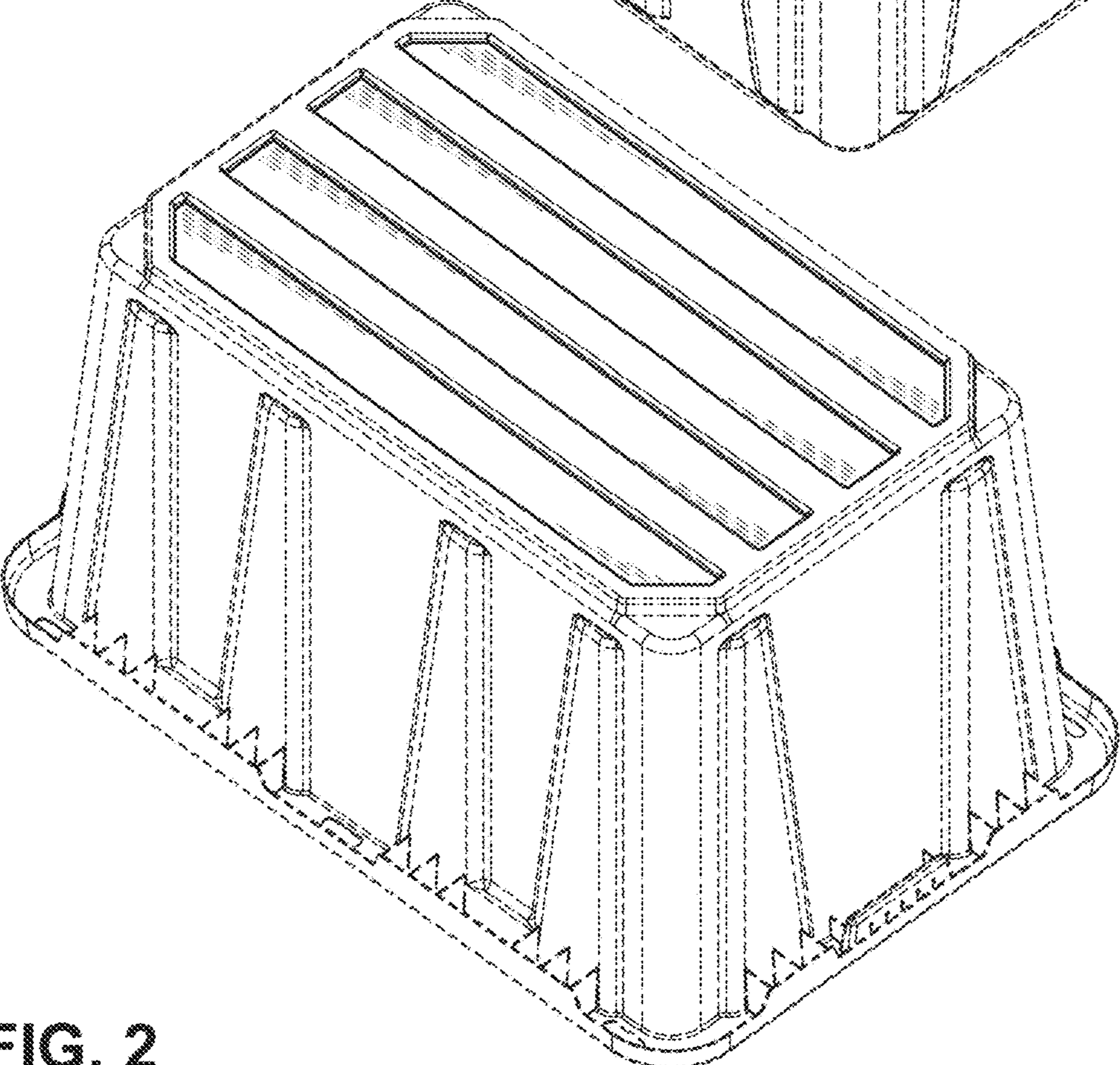


FIG. 2

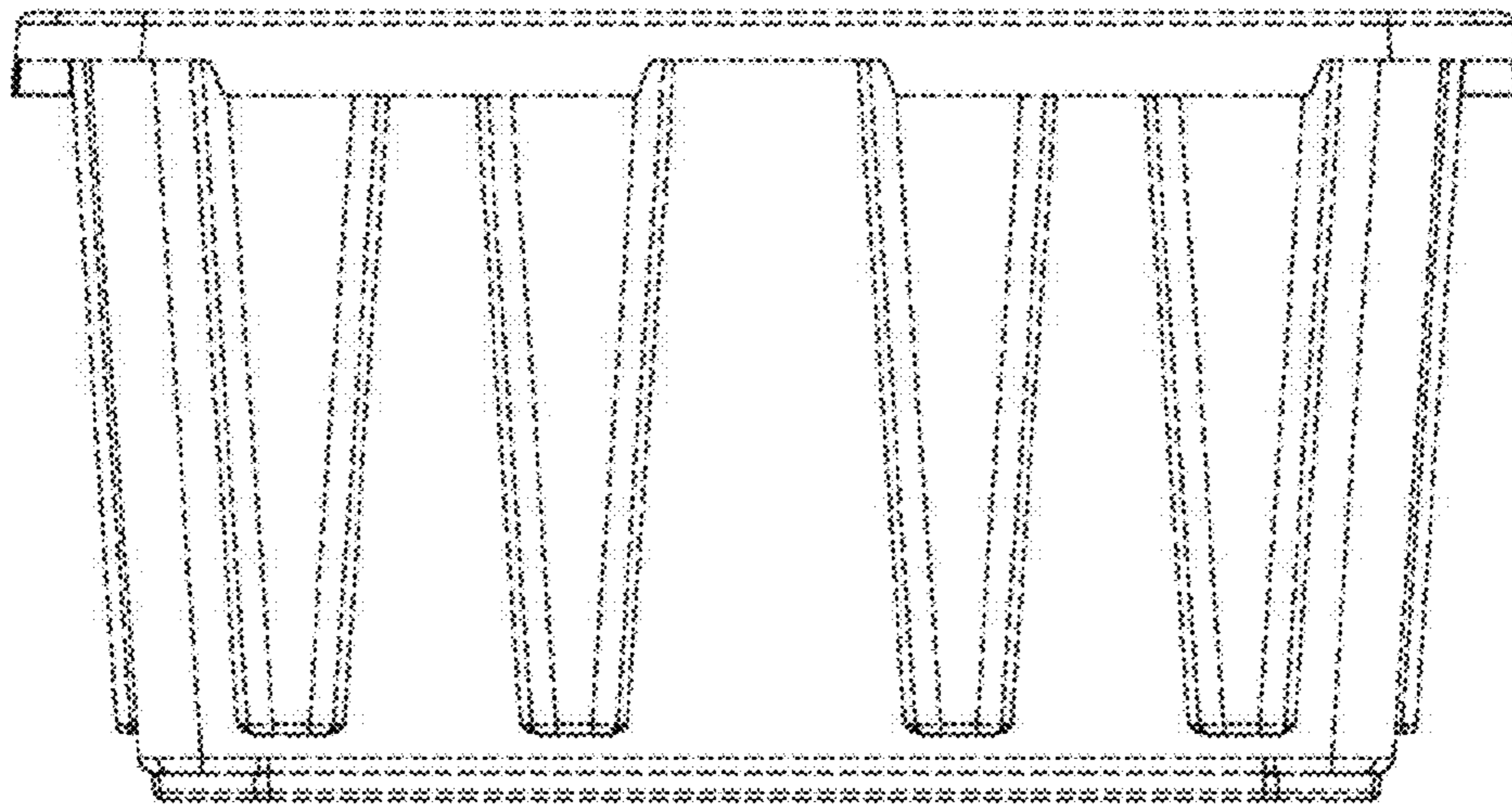


FIG. 3

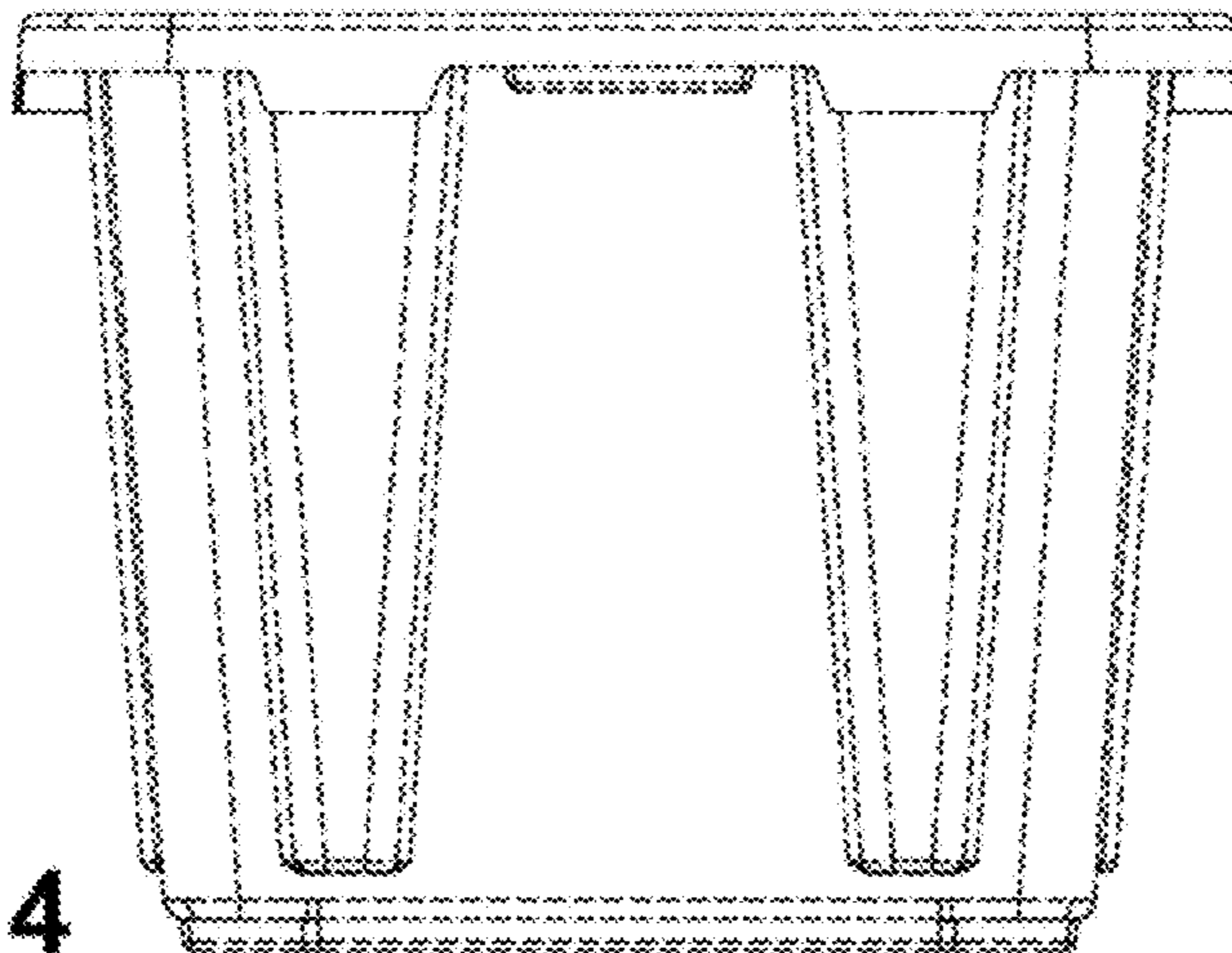


FIG. 4

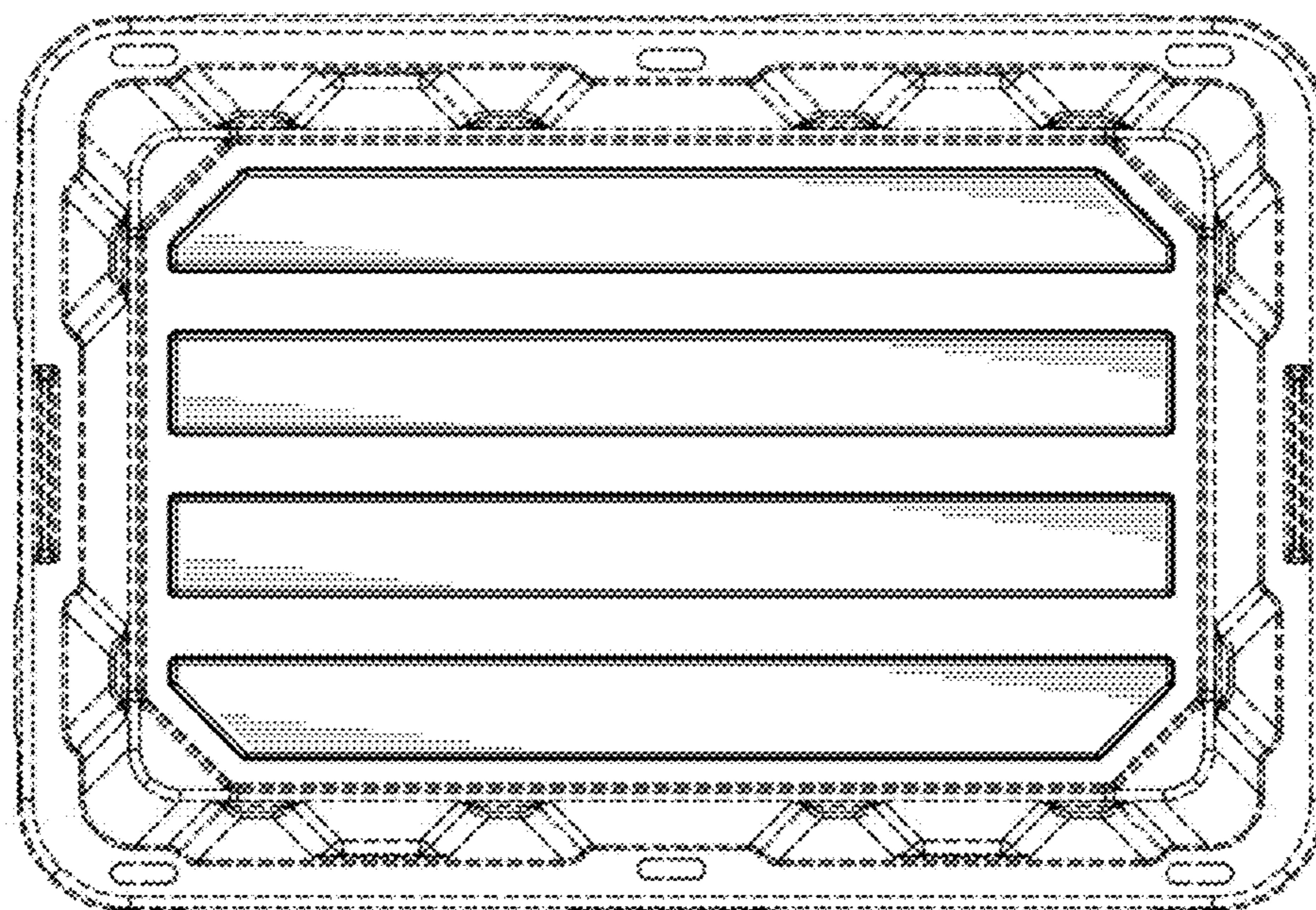


FIG. 5

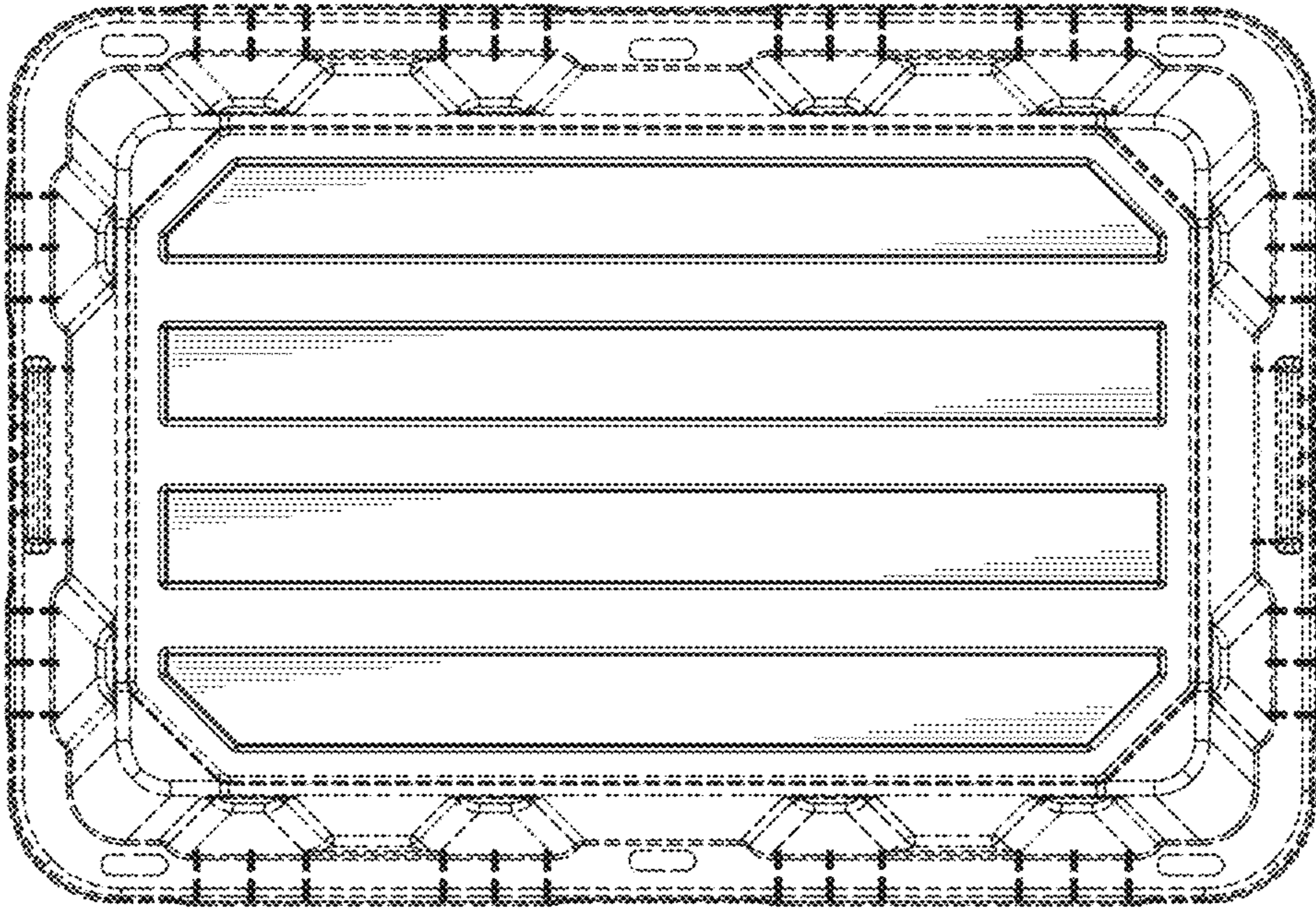


FIG. 6