



US00D910311S

(12) **United States Design Patent** (10) **Patent No.:** **US D910,311 S**
Howington (45) **Date of Patent:** **** Feb. 16, 2021**

(54) **POCKET PROTECTOR**
(71) Applicant: **Mary Howington**, Vista, CA (US)
(72) Inventor: **Mary Howington**, Vista, CA (US)
(**) Term: **15 Years**

D782,190 S * 3/2017 Bauer D3/247
D799,212 S * 10/2017 Huante D3/303
D830,354 S * 10/2018 Deng D14/250
D846,280 S * 4/2019 Bo D3/303
D863,761 S * 10/2019 Bermond D3/247
D889,122 S * 7/2020 Fitzgerald D3/247
2012/0096628 A1 4/2012 Grady

(21) Appl. No.: **29/668,573**
(22) Filed: **Oct. 31, 2018**
(51) **LOC (13) Cl.** **03-01**
(52) **U.S. Cl.**
USPC **D3/303**
(58) **Field of Classification Search**
USPC D3/247, 249–253, 300, 303; D2/857,
D2/864
CPC A45F 5/022; A41D 27/20; A41D 27/204
See application file for complete search history.

OTHER PUBLICATIONS

PUL Protector of Uniform Pockets, posted at pinterest.at., no posting date, retrieved Jul. 29, 2020, online, URL:https://www.pinterest.at/mmom5/pul-protector-of-uniform-pockets/ (Year: 2020).*
PUPsByMary, posted at etsy.com, no posting date, retrived Jul. 31, 2020, online, URL:https://www.etsy.com/shop/PUPsByMary/updates?ref=shop-shares-sash-viewwall (Year: 2020).*

* cited by examiner

Primary Examiner — Lilyana Bekic
Assistant Examiner — Mary Shannon Malley

(56) **References Cited**

U.S. PATENT DOCUMENTS

2,020,979 A 11/1935 Wiedermann
3,647,056 A 3/1972 Jacobson
4,310,109 A 1/1982 Coyle
D313,695 S * 1/1991 Mawhinney D12/422
5,031,763 A 7/1991 Lynam
D400,352 S * 11/1998 Akutsu D3/247
D449,927 S * 11/2001 Dorizas D3/201
D522,750 S * 6/2006 Girod D3/303
7,216,370 B1 * 5/2007 Warner A41D 13/0575
2/23
D666,417 S 9/2012 Phillips
D679,499 S * 4/2013 Harris D3/303
D694,009 S * 11/2013 D'Amore D3/249
D694,012 S * 11/2013 Hyzdu D3/303
D707,965 S * 7/2014 Requa D3/247
8,950,639 B1 2/2015 Moss

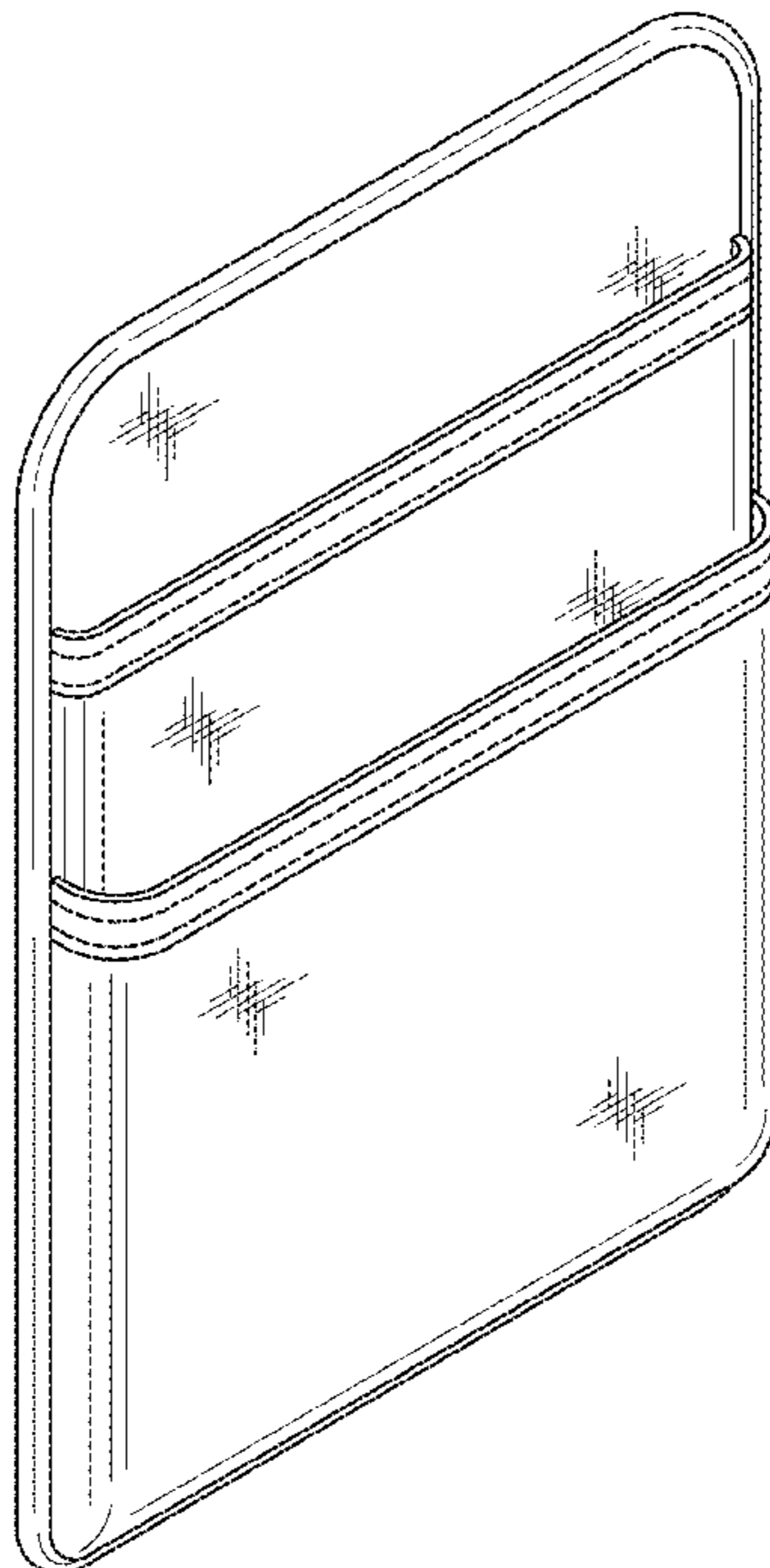
(57) **CLAIM**

The ornamental design for a pocket protector, as shown and described.

DESCRIPTION

FIG. 1 is a top front side perspective view of a pocket protector showing my new design;
FIG. 2 is a front view of the pocket protector;
FIG. 3 is a rear view of the pocket protector;
FIG. 4 is a right side view of the pocket protector, a left side view being a mirror image thereof;
FIG. 5 is a top view of the pocket protector; and,
FIG. 6 is a bottom view of the pocket protector.
The broken lines in the figures represent stitching that does not form part of the claimed design.

1 Claim, 3 Drawing Sheets



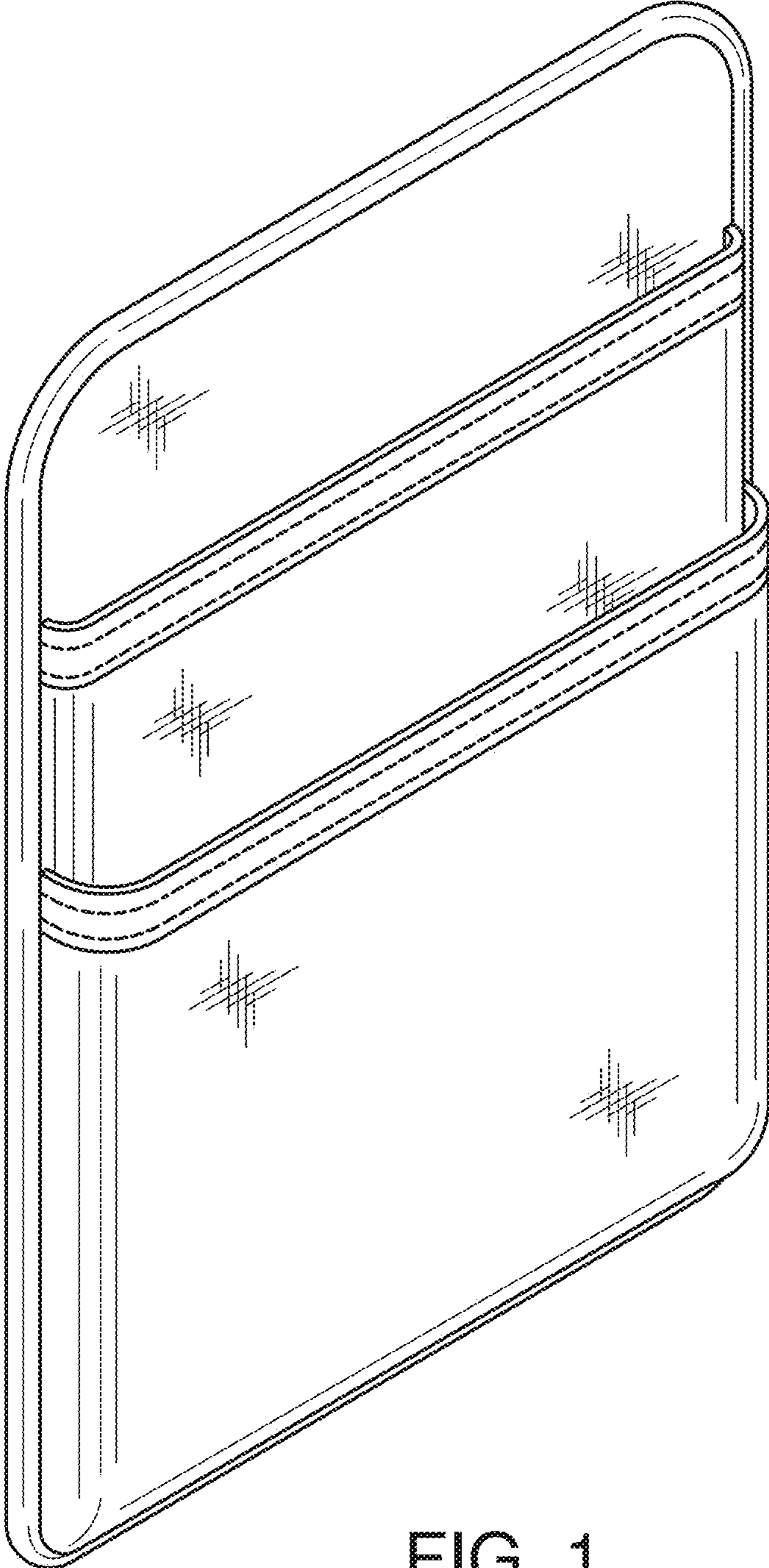


FIG. 1

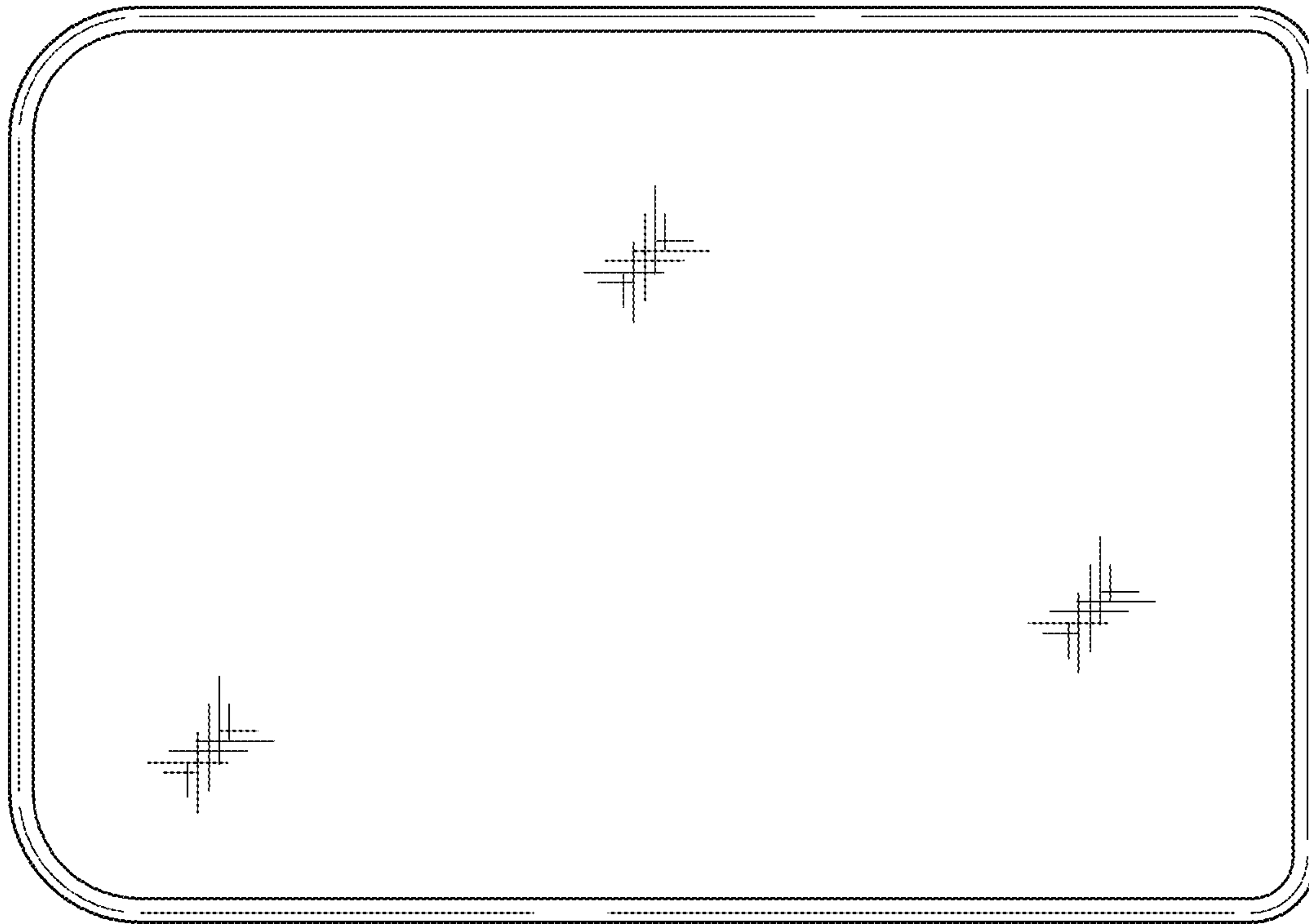


FIG. 3

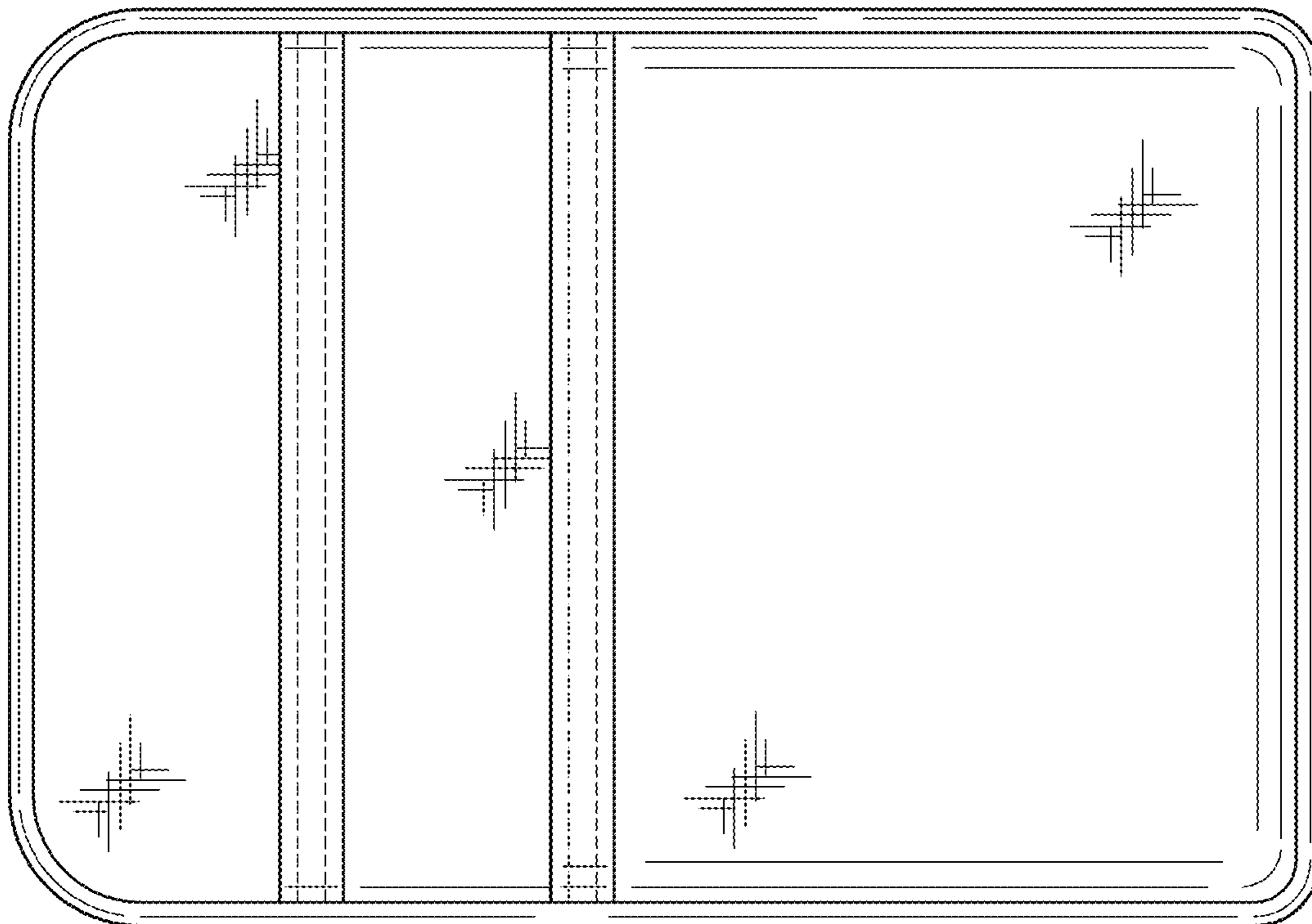


FIG. 2

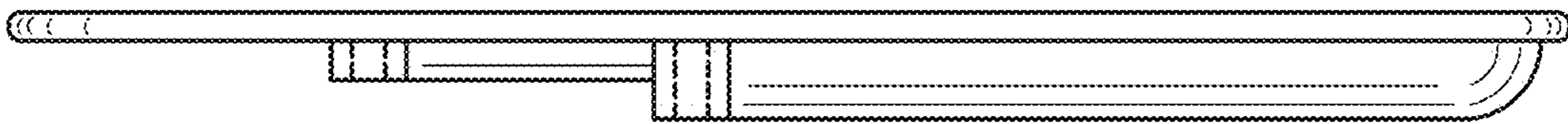


FIG. 4

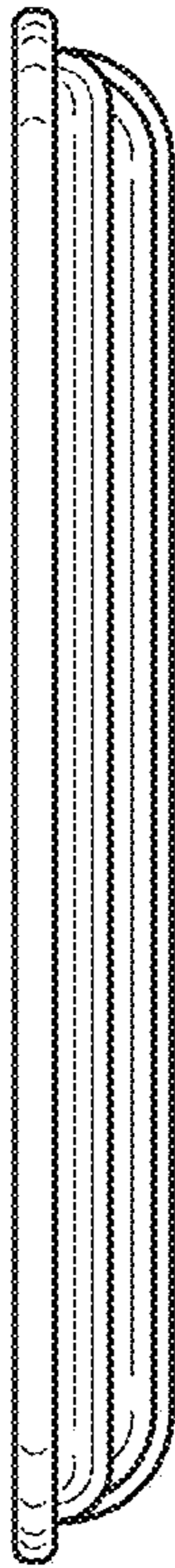


FIG. 5

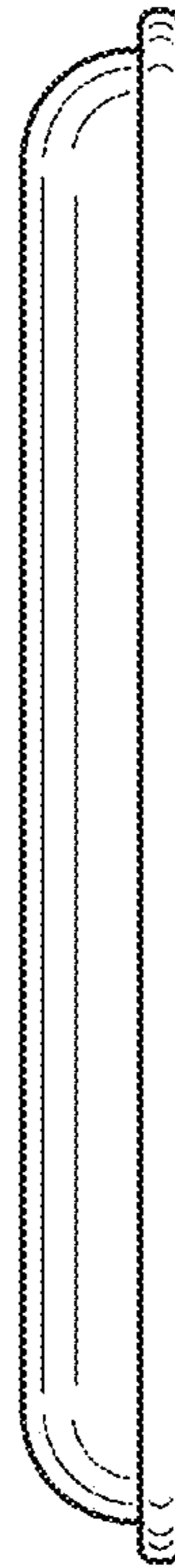


FIG. 6