



US00D910309S

(12) **United States Design Patent** (10) **Patent No.:** **US D910,309 S**  
**Gibbons** (45) **Date of Patent:** **\*\* Feb. 16, 2021**

(54) **COMPONENT FOR BABY CARRIER**

(71) Applicant: **The Boppy Company, LLC**, Golden, CO (US)  
(72) Inventor: **Haley Gibbons**, Westminster, CO (US)  
(73) Assignee: **The Boppy Company, LLC**, Golden, CO (US)  
(\*\*) Term: **15 Years**

(21) Appl. No.: **29/699,303**

(22) Filed: **Jul. 24, 2019**

(51) **LOC (13) Cl.** ..... **03-99**

(52) **U.S. Cl.**  
USPC ..... **D3/213**

(58) **Field of Classification Search**  
USPC ..... D3/213, 214, 216  
CPC .... A47D 13/02; A47D 13/025; A47D 13/086;  
A47D 15/00; A47D 15/006; A45F 3/047;  
A45F 2003/045

See application file for complete search history.

(56) **References Cited**

**U.S. PATENT DOCUMENTS**

3,229,873 A 1/1966 Hershman  
3,871,562 A 3/1975 Grenier  
4,009,808 A 3/1977 Sharp  
4,166,558 A 9/1979 Schroeder  
4,402,440 A \* 9/1983 Purtzer ..... A47D 13/025  
224/159  
4,428,514 A 1/1984 Elf  
4,434,920 A 3/1984 Moore  
4,469,259 A 9/1984 Krich et al.

(Continued)

**FOREIGN PATENT DOCUMENTS**

AU 2008249011 A1 11/2008  
CA 2685364 C 12/2014

(Continued)

**OTHER PUBLICATIONS**

[https://www.amazon.com/Boppy-ComfyChic-Carrying-Positions-Charcoal/dp/B07XZRVKLT/ref=sr\\_1\\_2?crd=18L0B73F840I3&dchild=1&keywords=boppy+comfyChic+baby+carrier&sprefix=boppy+com%2Caps%2C161&sr=8-2](https://www.amazon.com/Boppy-ComfyChic-Carrying-Positions-Charcoal/dp/B07XZRVKLT/ref=sr_1_2?crd=18L0B73F840I3&dchild=1&keywords=boppy+comfyChic+baby+carrier&sprefix=boppy+com%2Caps%2C161&sr=8-2) (Year: 2020).\*

(Continued)

*Primary Examiner* — Steven J Czyz

(74) *Attorney, Agent, or Firm* — Kilpatrick Townsend & Stockton LLP

(57) **CLAIM**

The ornamental design for a component for baby carrier, as shown and described.

**DESCRIPTION**

FIG. 1 is a front view of a component for baby carrier; FIG. 2 is a rear view thereof; FIG. 3 is a top view thereof; FIG. 4 is a bottom view thereof; FIG. 5 is a right side view thereof; FIG. 6 is a left side view thereof; FIG. 7 is a front perspective view of the component for baby carrier shown in use; FIG. 8 is a front view of the component for baby carrier shown in an alternate state of use; FIG. 9 is a rear view thereof; FIG. 10 is a top view thereof; FIG. 11 is a bottom view thereof; FIG. 12 is a right side view thereof; FIG. 13 is a left side view thereof; and, FIG. 14 is a front perspective view of the component for baby carrier shown in use. In the drawings, the evenly-spaced broken lines depict portions of the article and environment that form no part of the claimed design; the dash-dot-dash lines represent the boundary of the claim design that forms no part thereof.

**1 Claim, 12 Drawing Sheets**



(56)

References Cited

U.S. PATENT DOCUMENTS

4,492,326 A	1/1985	Storm		9,192,221 B2 *	11/2015	Just	A45F 3/047
4,986,458 A	1/1991	Linday		9,198,525 B2	12/2015	Wernick et al.	
5,071,047 A *	12/1991	Cordisco	A47D 13/025 224/158	9,220,352 B2	12/2015	Frost	
5,205,451 A	4/1993	Manzer		9,277,830 B2	3/2016	Schachtner	
5,246,152 A	9/1993	Dotseth		9,289,076 B2 *	3/2016	Mullins	A47D 13/025
5,490,620 A	2/1996	Bergqvist		D752,855 S *	4/2016	Halverstadt	D3/213
5,632,425 A	5/1997	Hull		9,314,111 B2	4/2016	Hartwell et al.	
D382,092 S *	8/1997	Daly	D2/828	9,314,112 B2	4/2016	Chuah et al.	
5,678,739 A	10/1997	Darling et al.		9,314,113 B1	4/2016	Lehan et al.	
5,692,655 A	12/1997	Fair et al.		9,357,852 B2	6/2016	Salazar et al.	
5,791,535 A	8/1998	Roan et al.		9,375,096 B2	6/2016	Larch	
5,813,580 A	9/1998	Fair		9,380,886 B2 *	7/2016	Rahni	A47D 13/02
5,848,741 A	12/1998	Fair		9,380,887 B2	7/2016	Frost	
5,961,014 A	10/1999	Knerr		9,380,888 B2	7/2016	Telford et al.	
6,045,018 A	4/2000	Onishi		9,386,863 B1	7/2016	Antunovic	
6,065,655 A *	5/2000	Parewick	A47D 13/025 224/158	9,439,515 B2	9/2016	Kim	
6,257,468 B1	7/2001	Yamazoe et al.		9,521,912 B2	12/2016	Yen	
D452,993 S	1/2002	Norman		9,565,951 B2	2/2017	Schaarschmidt	
6,343,727 B1	2/2002	Leach		9,629,398 B2	4/2017	Goryl	
6,409,060 B2	6/2002	Donine		9,681,737 B2	6/2017	Gleason	
6,443,339 B1	9/2002	Higuchi		9,700,152 B2	7/2017	Telford et al.	
6,598,771 B2	7/2003	Norman		9,713,391 B2	7/2017	Telford et al.	
6,666,361 B1	12/2003	Lin		9,750,352 B2	9/2017	Harris	
D486,635 S	2/2004	Yagisawa		9,750,353 B2	9/2017	Antunovic	
6,808,099 B2	10/2004	Nykoluk		9,788,664 B2	10/2017	Andren et al.	
6,988,644 B1	1/2006	Asherbranner		9,839,302 B2	12/2017	Frost	
7,004,362 B2	2/2006	Boone		9,848,713 B2	12/2017	Rosen et al.	
7,070,076 B2	7/2006	Bergqvist		D808,639 S *	1/2018	Gillam	D3/213
7,252,214 B2	8/2007	Krogh		9,877,596 B2	1/2018	Schaarschmidt	
7,284,503 B2 *	10/2007	Elmberg	A47D 13/025 119/770	9,949,575 B2	4/2018	Pond et al.	
7,287,676 B2	10/2007	Chua		9,955,797 B2	5/2018	Telford et al.	
7,322,498 B2	1/2008	Frost		10,045,634 B2	8/2018	Salazar et al.	
7,494,031 B2	2/2009	Kassai et al.		10,172,478 B2	1/2019	Telford et al.	
7,661,566 B2	2/2010	Yoshie et al.		D844,973 S *	4/2019	Gibbons	D3/214
D614,861 S *	5/2010	Smyth	D3/213	10,264,894 B2 *	4/2019	Gibbons	A47D 13/025
7,766,199 B1	8/2010	Caperon		10,278,514 B1 *	5/2019	Emerson	A47D 13/02
D630,838 S *	1/2011	Gmeiner	D3/214	10,532,242 B2 *	1/2020	Donchenko	A63B 21/4011
7,886,946 B2	2/2011	Gray		10,555,620 B2 *	2/2020	Gibbons	A47D 13/025
D642,375 S	8/2011	Zack et al.		D877,490 S *	3/2020	Daws	D3/213
D649,345 S	11/2011	Bergqvist et al.		D882,244 S *	4/2020	Gibbons	D3/214
8,056,779 B1	11/2011	Brunwin		10,631,582 B2 *	4/2020	Brault	A47D 13/02
D657,132 S	4/2012	Caperon		10,743,678 B2 *	8/2020	Salazar	A45F 3/047
8,172,116 B1	5/2012	Lehan et al.		10,765,230 B2 *	9/2020	Jeneske	A47D 13/025
D672,546 S *	12/2012	Dror	D3/214	2003/0178452 A1	9/2003	Norman	
8,393,505 B2	3/2013	Coote et al.		2005/0133551 A1 *	6/2005	Heidt	A47D 13/025 224/160
8,403,193 B2	3/2013	Chan		2005/0218168 A1 *	10/2005	Chua	A47D 13/025 224/160
8,418,897 B1	4/2013	Young		2005/0242136 A1	11/2005	Moriguchi et al.	
8,424,732 B1	4/2013	Lehan et al.		2005/0279785 A1	12/2005	Liistro et al.	
8,453,894 B2	6/2013	Jung et al.		2007/0029356 A1	2/2007	Moriguchi et al.	
8,453,897 B2	6/2013	Burton		2007/0062987 A1	3/2007	Murakami	
8,464,920 B2	6/2013	Meyer		2007/0080183 A1	4/2007	Lafoux et al.	
8,490,844 B2	7/2013	Favorito et al.		2007/0278264 A1 *	12/2007	Chesal	A47D 13/02 224/160
8,523,028 B1	9/2013	Young		2007/0284403 A1	12/2007	Minami et al.	
D691,791 S *	10/2013	Rondone	D3/213	2008/0283559 A1	11/2008	Parness et al.	
8,579,168 B2	11/2013	Zack et al.		2009/0026235 A1	1/2009	Gray	
8,590,757 B2	11/2013	Frost		2009/0101683 A1 *	4/2009	Gilboa	A47D 13/025 224/160
8,701,949 B1	4/2014	Lehan et al.		2010/0147910 A1	6/2010	Schachtner	
8,752,739 B2	6/2014	Bergqvist et al.		2010/0200626 A1 *	8/2010	Moftakhar	A47D 13/025 224/160
D711,090 S *	8/2014	Schroder	D3/213	2010/0288802 A1	11/2010	Sakanishi	
8,807,411 B2	8/2014	Meyer		2010/0308088 A1	12/2010	Lindblom	
8,925,772 B2 *	1/2015	Vukovics	A47D 13/025 224/160	2011/0101051 A1	5/2011	Parness et al.	
8,973,793 B2	3/2015	Arvan		2011/0240693 A1 *	10/2011	Parness	A47D 13/025 224/160
8,973,794 B2	3/2015	Bergqvist		2012/0152987 A1 *	6/2012	Beltrame	A47D 13/025 224/158
9,022,260 B2	5/2015	Frost		2012/0199619 A1	8/2012	Zack	
D738,614 S *	9/2015	Chapman	D3/214	2012/0234877 A1	9/2012	Hiniduma-Lokuge	
D738,615 S *	9/2015	Chapman	D3/214	2012/0241487 A1	9/2012	Zack et al.	
9,119,423 B2	9/2015	Gotel et al.		2012/0248159 A1	10/2012	Rahni	
9,138,071 B2	9/2015	Larch		2012/0266350 A1	10/2012	Zack	
9,173,473 B2	11/2015	Gleason		2012/0286002 A1 *	11/2012	Dardel	A47D 13/025 224/159
9,179,758 B2	11/2015	Calilung et al.		2014/0084031 A1	3/2014	Bowden	
9,185,993 B2	11/2015	Telford et al.					

(56)

References Cited

U.S. PATENT DOCUMENTS

2014/0166705	A1	6/2014	Vukovics	
2014/0231473	A1*	8/2014	Bailey .....	A47D 13/025 224/160
2014/0263492	A1	9/2014	Bailey et al.	
2014/0284362	A1	9/2014	Halverstadt et al.	
2014/0319189	A1	10/2014	Hoppener-Visser	
2015/0189997	A1	7/2015	Gmeiner	
2015/0196133	A1	7/2015	Rosen et al.	
2015/0201761	A1	7/2015	Wollenberg	
2015/0272342	A1	10/2015	Schaarschmidt	
2016/0066704	A1	3/2016	Frost	
2016/0120334	A1	5/2016	Pond et al.	
2016/0150893	A1	6/2016	Salazar et al.	
2016/0198865	A1	7/2016	Houston	
2016/0206011	A1	7/2016	Houston	
2016/0206115	A1	7/2016	Brake et al.	
2016/0227940	A1	8/2016	Wikner et al.	
2016/0278537	A1	9/2016	Frost	
2016/0296034	A1*	10/2016	Telford .....	A47D 15/005
2017/0013971	A1	1/2017	Harris	
2017/0119173	A1	5/2017	Telford	
2017/0135497	A1	5/2017	Brodin	
2017/0150826	A1	6/2017	Salazar et al.	
2017/0196374	A1	7/2017	Chen	
2017/0238682	A1	8/2017	Goryl	
2017/0238722	A1	8/2017	Flaunty et al.	
2017/0251829	A1	9/2017	Telford et al.	
2017/0332806	A1*	11/2017	Liu .....	A47D 13/025
2017/0332807	A1	11/2017	Liu	
2018/0116426	A1	5/2018	Telford	
2018/0228299	A1	8/2018	Gibbons	
2018/0263857	A1	9/2018	Gibbons et al.	
2019/0014920	A1	1/2019	Matsuyama	
2019/0075936	A1	3/2019	Salazar et al.	
2019/0133339	A1	5/2019	Gibbons	

FOREIGN PATENT DOCUMENTS

DE	202014002721	U1	7/2014
DE	112010003056	B4	8/2018
EP	1907259	A2	4/2008
EP	2194817	A1	6/2010
EP	1765123	B1	6/2011
EP	2421413	A1	2/2012
EP	2470050	B1	3/2014
EP	2810587	A1	12/2014
EP	3366162	A1	8/2018
ES	2540812	T3	7/2015
GB	2297915	A	8/1996
WO	2005025383	A2	6/2005
WO	2011011158	A2	3/2011
WO	2013188810	A1	12/2013
WO	2014160355	A1	11/2014
WO	2016039635	A1	3/2016
WO	2016161111	A1	10/2016
WO	2016164713	A1	10/2016
WO	2017075500	A1	5/2017
WO	2018033351	A1	2/2018
WO	2018081603	A1	5/2018

OTHER PUBLICATIONS

Schotthofer, Peter, "Sling for carrying babies", Office for Harmonization in the Internal Market, No. 000304514-0002, May 3, 2005, all pages.

Schachtner, Petra, "Baby and Toddler Carrier", OHIM—Office For Harmonization in the Internal Market, No. 000989736-0001, Aug. 21, 2008, all pages.

Schachtner, Petra, "Baby and Toddler Carrier", OHIM—Office For Harmonization in the Internal Market, No. 000989736-0002, Aug. 21, 2008, all pages.

Schachtner, Petra, "Baby and Toddler Carrier", OHIM—Office For Harmonization in the Internal Market, No. 000989736-0003, Aug. 21, 2008, all pages.

Schachtner, Petra, "Baby and Toddler Carrier", OHIM—Office For Harmonization in the Internal Market, No. 000989736-0004, Aug. 21, 2008, all pages.

Schachtner, Petra, "Baby and Toddler Carrier", OHIM—Office For Harmonization in the Internal Market, No. 000989736-0005, Aug. 21, 2008, all pages.

Schachtner, Petra, "Baby and Toddler Carrier", OHIM—Office For Harmonization in the Internal Market, No. 000989736-0006, Aug. 21, 2008, all pages.

Schachtner, Petra, "Baby and Toddler Carrier", OHIM—Office For Harmonization in the Internal Market, No. 000989736-0007, Aug. 21, 2008, all pages.

Schachtner, Petra, "Baby and Toddler Carrier", OHIM—Office For Harmonization in the Internal Market, No. 000989736-0008, Aug. 21, 2008, all pages.

Schachtner, Petra, "Baby and Toddler Carrier", OHIM—Office For Harmonization in the Internal Market, No. 000989736-0009, Aug. 21, 2008, all pages.

Schachtner, Petra, "Baby and Toddler Carrier", OHIM—Office For Harmonization in the Internal Market, No. 000989736-0010, Aug. 21, 2008, all pages.

Schachtner, Petra, "Baby and Toddler Carrier", OHIM—Office For Harmonization in the Internal Market, No. 000989736-0011, Aug. 21, 2008, all pages.

Schachtner, Petra, "Baby and Toddler Carrier", OHIM—Office For Harmonization in the Internal Market, No. 000989736-0012, Aug. 21, 2008, all pages.

Schachtner, Petra, "Baby and Toddler Carrier", OHIM—Office For Harmonization in the Internal Market, No. 000989736-0013, Aug. 21, 2008, all pages.

Schachtner, Petra, "Baby and Toddler Carrier", OHIM—Office For Harmonization in the Internal Market, No. 000989736-0014, Aug. 21, 2008, all pages.

Schachtner, Petra, "Baby and Toddler Carrier", OHIM—Office For Harmonization in the Internal Market, No. 000989736-0015, Aug. 21, 2008, all pages.

Schachtner, Petra, "Baby and Toddler Carrier", OHIM—Office For Harmonization in the Internal Market, No. 000989736-0016, Aug. 21, 2008, all pages.

Schachtner, Petra, "Baby and Toddler Carrier", OHIM—Office For Harmonization in the Internal Market, No. 000989736-0017, Aug. 21, 2008, all pages.

Schachtner, Petra, "Baby and Toddler Carrier", OHIM—Office For Harmonization in the Internal Market, No. 000989736-0018, Aug. 21, 2008, all pages.

Schachtner, Petra, "Baby and Toddler Carrier", OHIM—Office For Harmonization in the Internal Market, No. 000989736-0019, Aug. 21, 2008, all pages.

Schachtner, Petra, "Baby and Toddler Carrier", OHIM—Office For Harmonization in the Internal Market, No. 000989736-0020, Aug. 21, 2008, all pages.

Schachtner, Petra, "Baby and Toddler Carrier", OHIM—Office For Harmonization in the Internal Market, No. 000989736-0021, Aug. 21, 2008, all pages.

Schachtner, Petra, "Baby and Toddler Carrier", OHIM—Office For Harmonization in the Internal Market, No. 000989736-0022, Aug. 21, 2008, all pages.

Schachtner, Petra, "Baby and Toddler Carrier", OHIM—Office For Harmonization in the Internal Market, No. 000989736-0023, Aug. 21, 2008, all pages.

Schachtner, Petra, "Baby and Toddler Carrier", OHIM—Office For Harmonization in the Internal Market, No. 000989736-0024, Aug. 21, 2008, all pages.

Unknown, Design DE00000040011804-0001, Dec. 27, 2006, all pages.

International Search Report and Written Opinion for PCT/US2018/014075 dated May 28, 2018, all pages.

(56)

**References Cited**

OTHER PUBLICATIONS

Schotthofer, Peter, "Sling for carrying babies", Office For Harmonization in the Internal Market, No. 000304514-0001, May 3, 2005, all pages.

\* cited by examiner

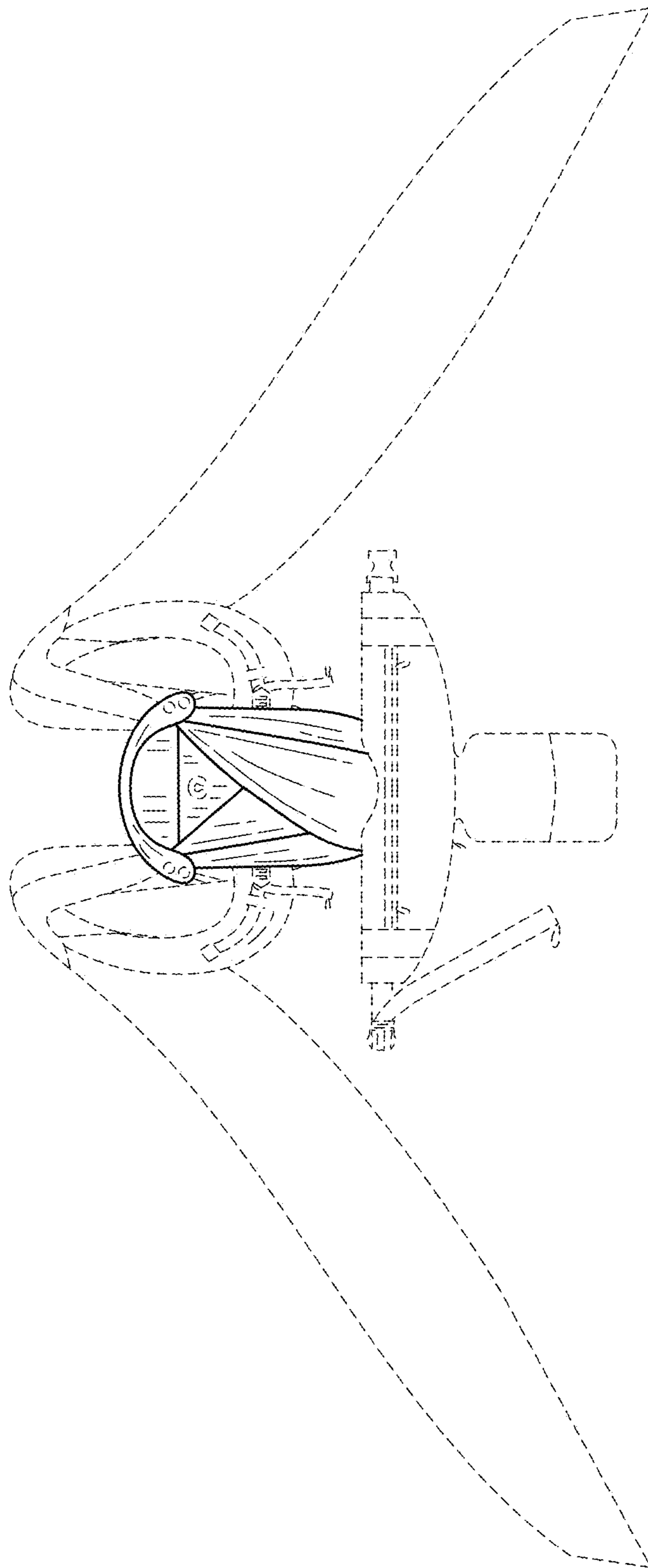


FIG.1

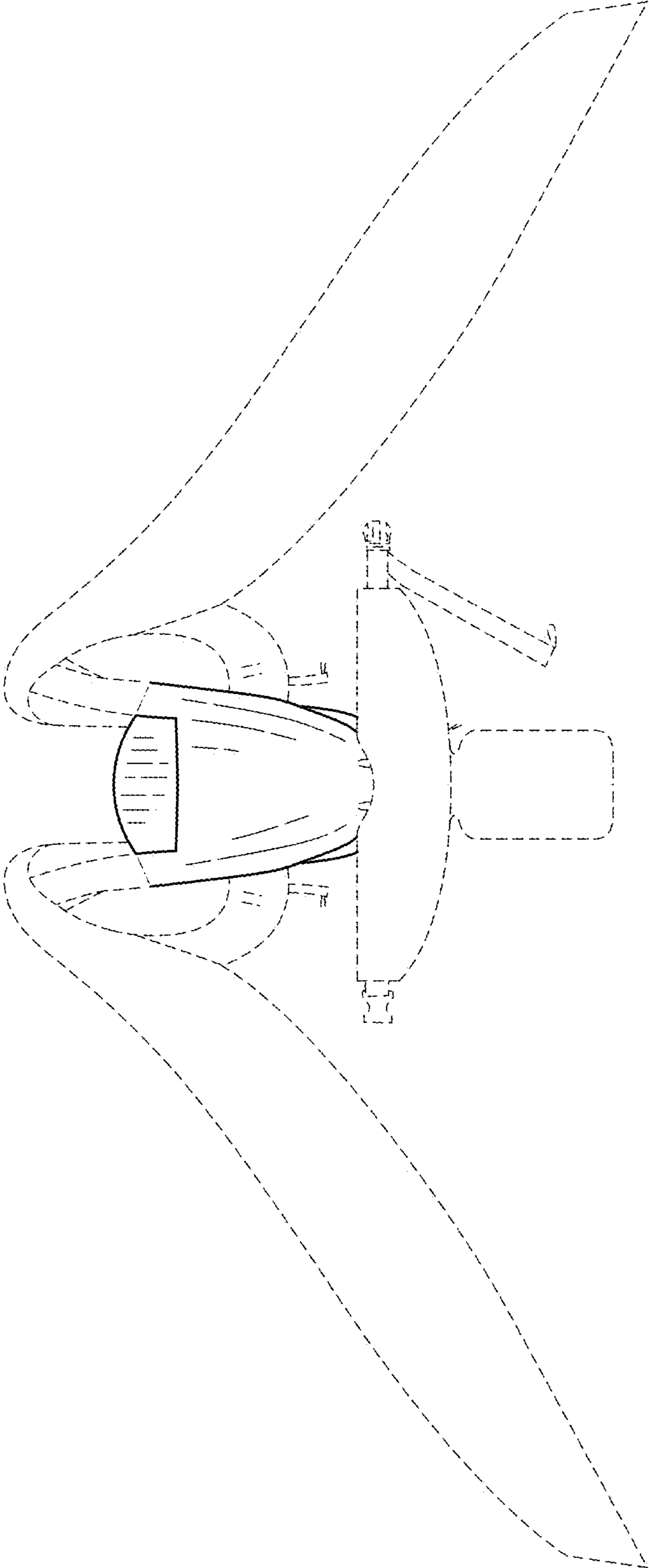


FIG. 2



FIG.3



FIG.4



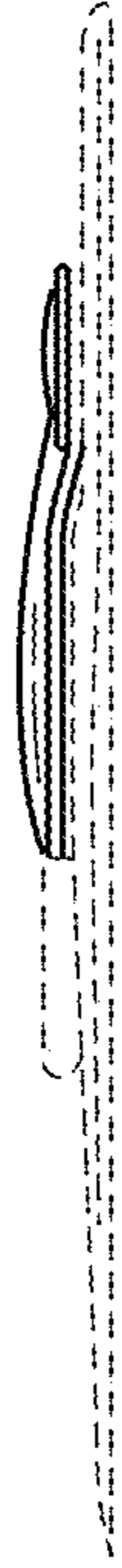


FIG.5



FIG.6

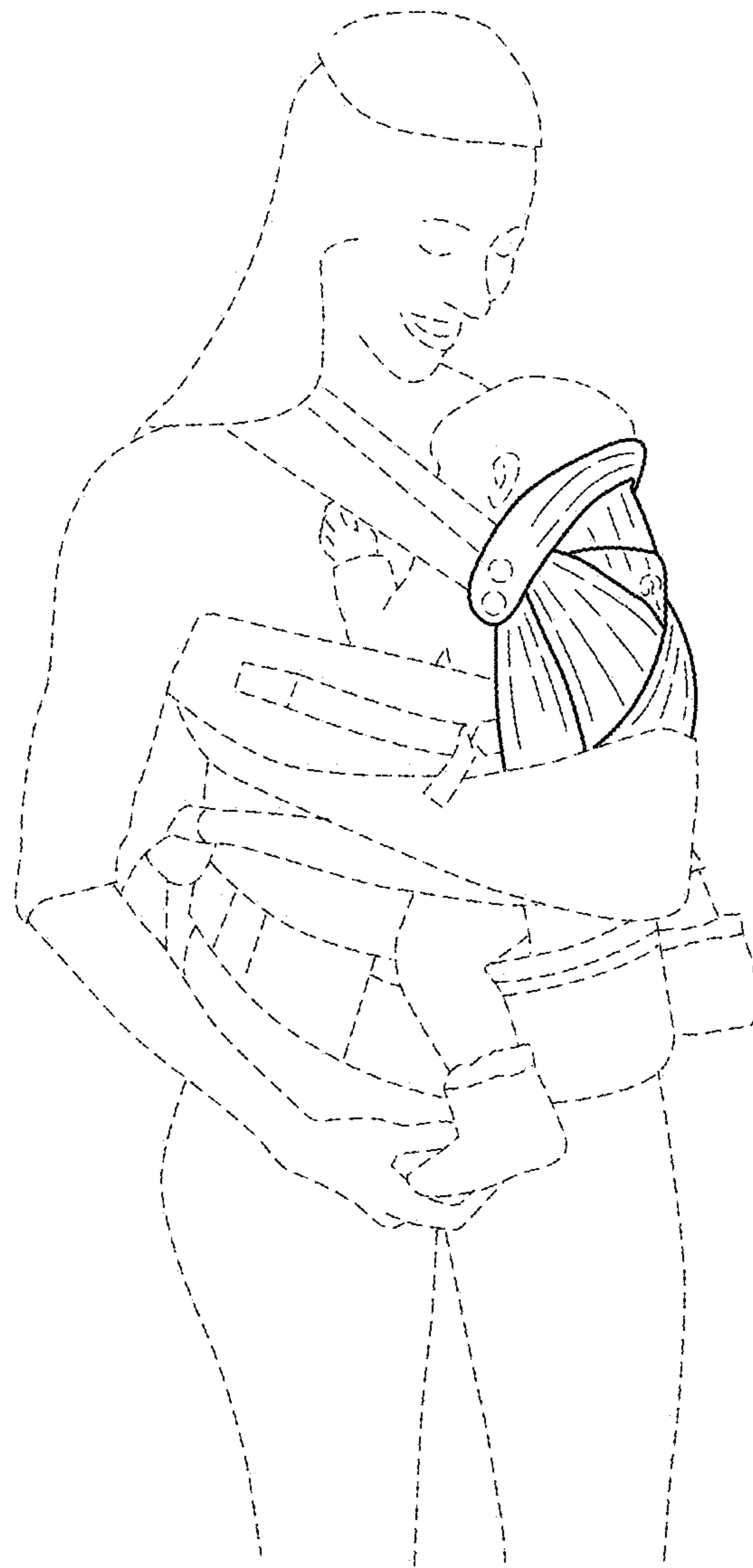


FIG.7

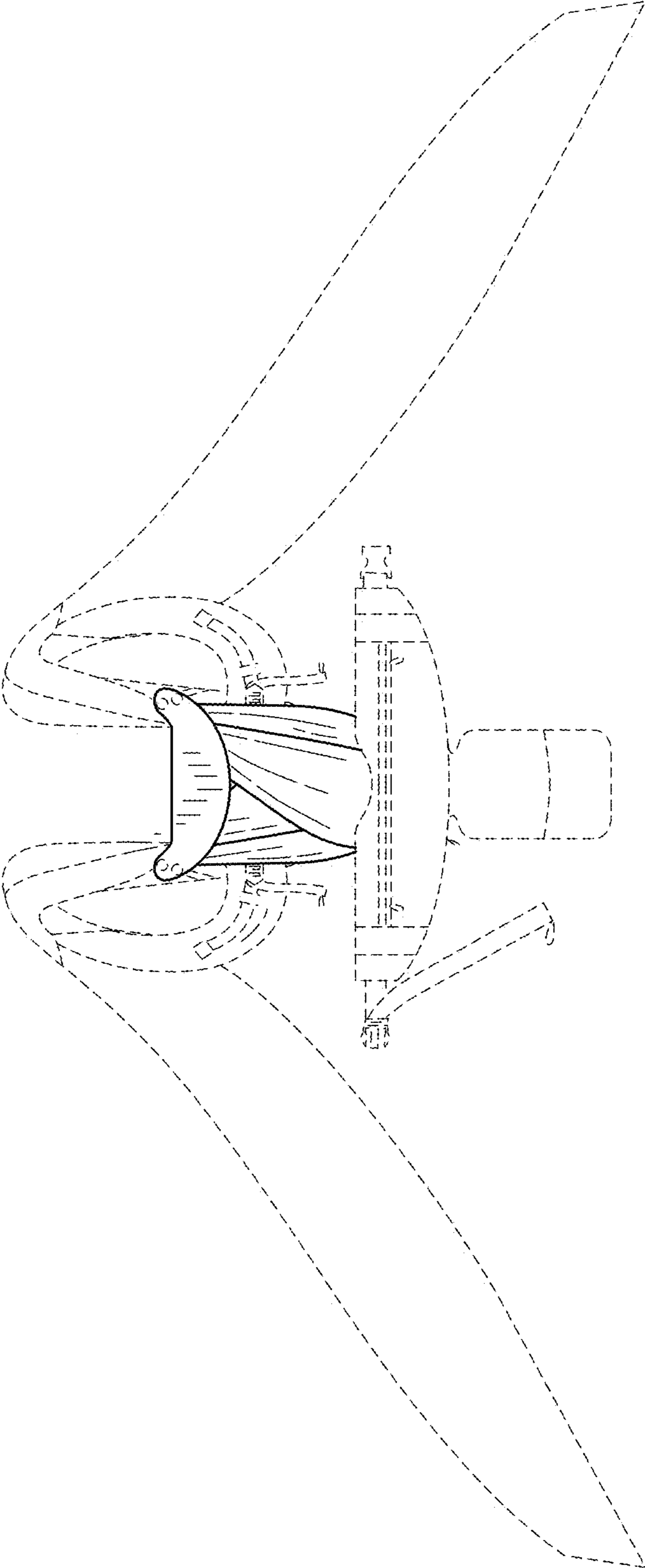


FIG.8

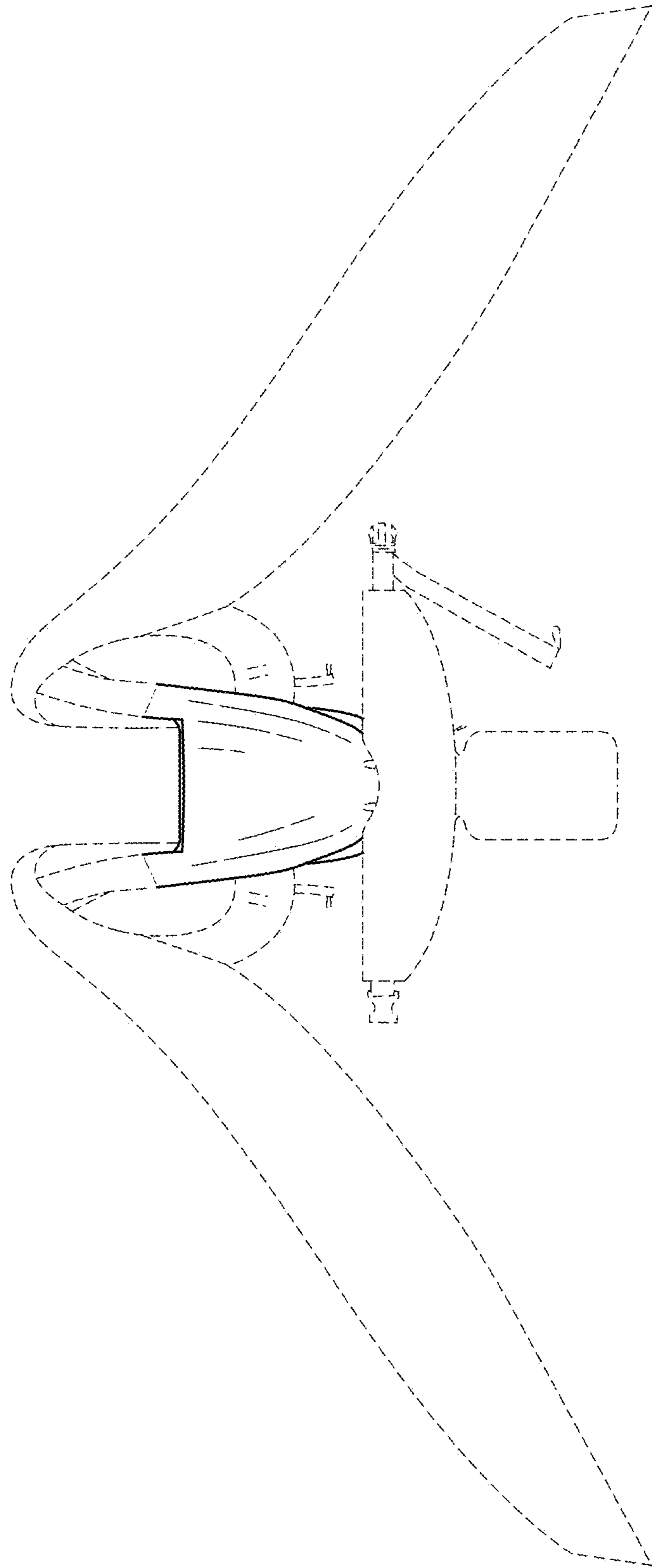


FIG.9



FIG.10

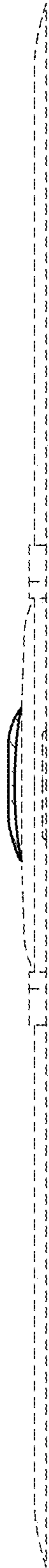


FIG.11

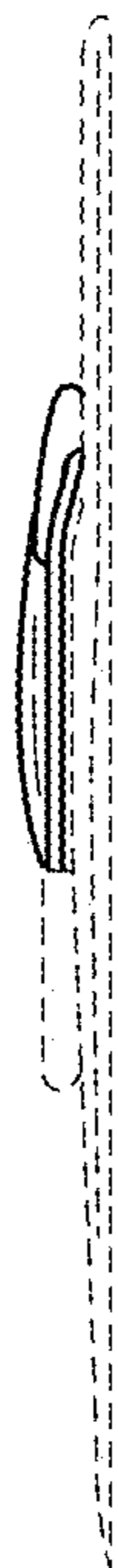


FIG.12



FIG.13

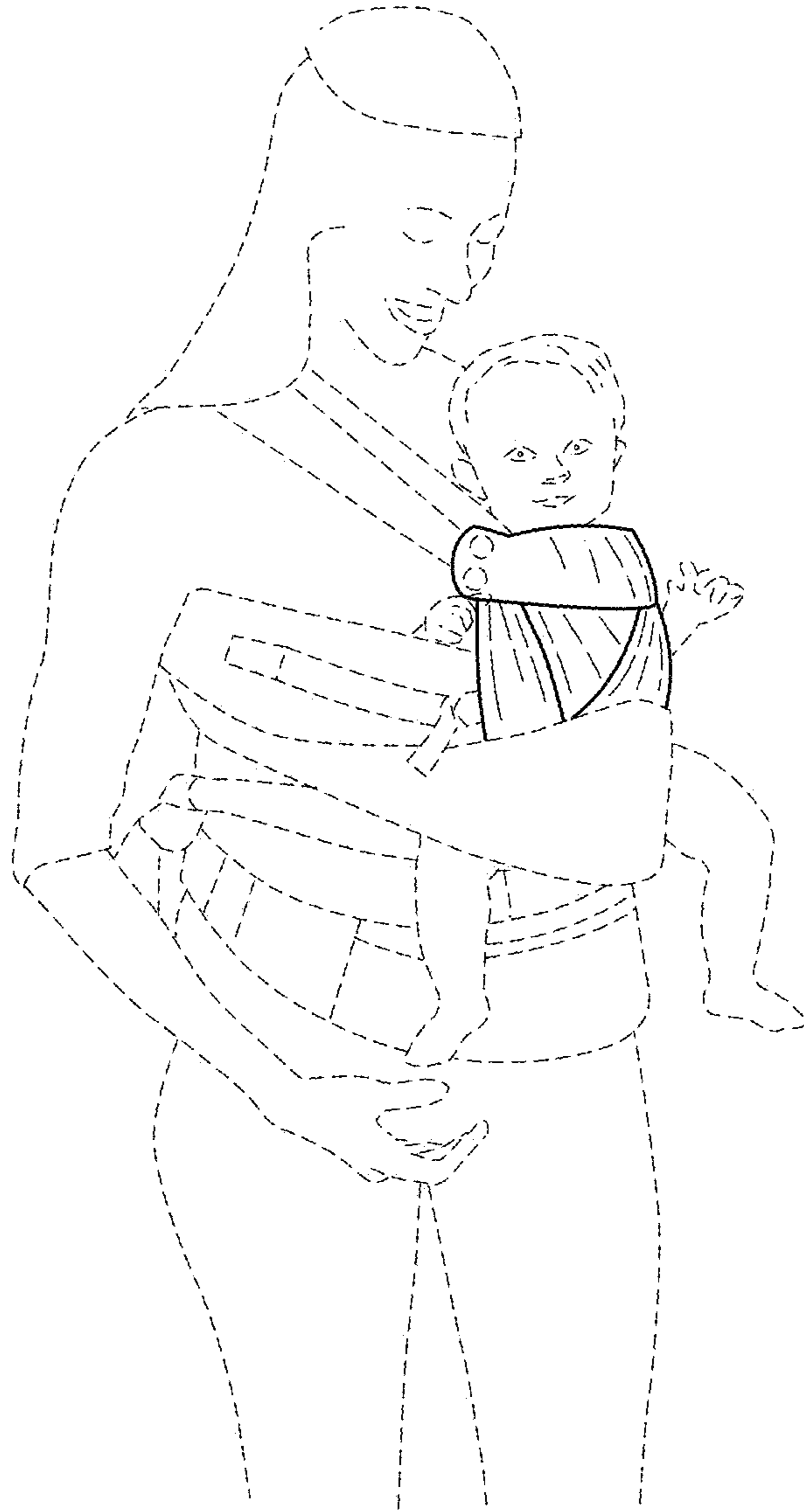


FIG.14