



US00D910308S

(12) **United States Design Patent** (10) **Patent No.:** **US D910,308 S**
Liu (45) **Date of Patent:** **** Feb. 16, 2021**

(54) **KEYCHAIN**

(71) Applicant: **Haitao Liu**, Raoping (CN)

(72) Inventor: **Haitao Liu**, Raoping (CN)

(**) Term: **15 Years**

(21) Appl. No.: **29/747,484**

(22) Filed: **Aug. 24, 2020**

(51) **LOC (13) Cl.** **03-01**

(52) **U.S. Cl.**
USPC **D3/207**

(58) **Field of Classification Search**
USPC D3/207-212; 70/456 R, 457, 458;
D8/347; D10/104.1; 206/37.1;
D21/626, 627; 24/3.6; D11/11, 79, 81,
D11/82, 87
CPC H04B 1/034; F04B 15/00; E05B 19/04;
A44B 15/00; A44B 15/002; A44B
15/005; A44B 15/007

See application file for complete search history.

(56) **References Cited**

U.S. PATENT DOCUMENTS

2,462,206	A *	2/1949	Magee	A45C 11/324
					206/37.8
D308,762	S *	6/1990	Barnes	D3/207
D322,720	S *	12/1991	Moore	D3/207
D324,934	S *	3/1992	Meyers, Jr.	D1/106
D332,032	S *	12/1992	Kaiser	D7/354
D333,445	S *	2/1993	Shyan	D10/116.1
5,285,898	A *	2/1994	Zinbarg	A63H 3/06
					206/457
D353,428	S *	12/1994	Aymar	D21/576
D373,469	S *	9/1996	Hamilton	D3/209
D379,867	S *	6/1997	Miho	D11/52
D383,304	S *	9/1997	Van Osch	D3/208
D387,553	S *	12/1997	Fritsche	D3/211
D396,744	S *	8/1998	Robertson	D3/211

D410,368	S *	6/1999	Wysopal	D3/211
D414,329	S *	9/1999	Parker	D3/212
D416,675	S *	11/1999	MacDonald	D3/207
D433,210	S *	11/2000	Allison	D2/741
D438,373	S *	3/2001	Riley	D3/207

(Continued)

OTHER PUBLICATIONS

DeltaHalo | Batman Keychain [Bat Symbol Bat Wing Key Chain]
Batman Keyring | American Seller!, Amazon.com, Date First Available: Apr. 7, 2018, [online], [site visited Nov. 13, 2020]. <URL: <https://www.amazon.com/DeltaHalo-Batman-Keychain-Keyring-American/dp/B07CBSP8W4?th=1>> (Year: 2018).*

(Continued)

Primary Examiner — T Chase Nelson
Assistant Examiner — Jonathan J. Han
(74) *Attorney, Agent, or Firm* — HYIP

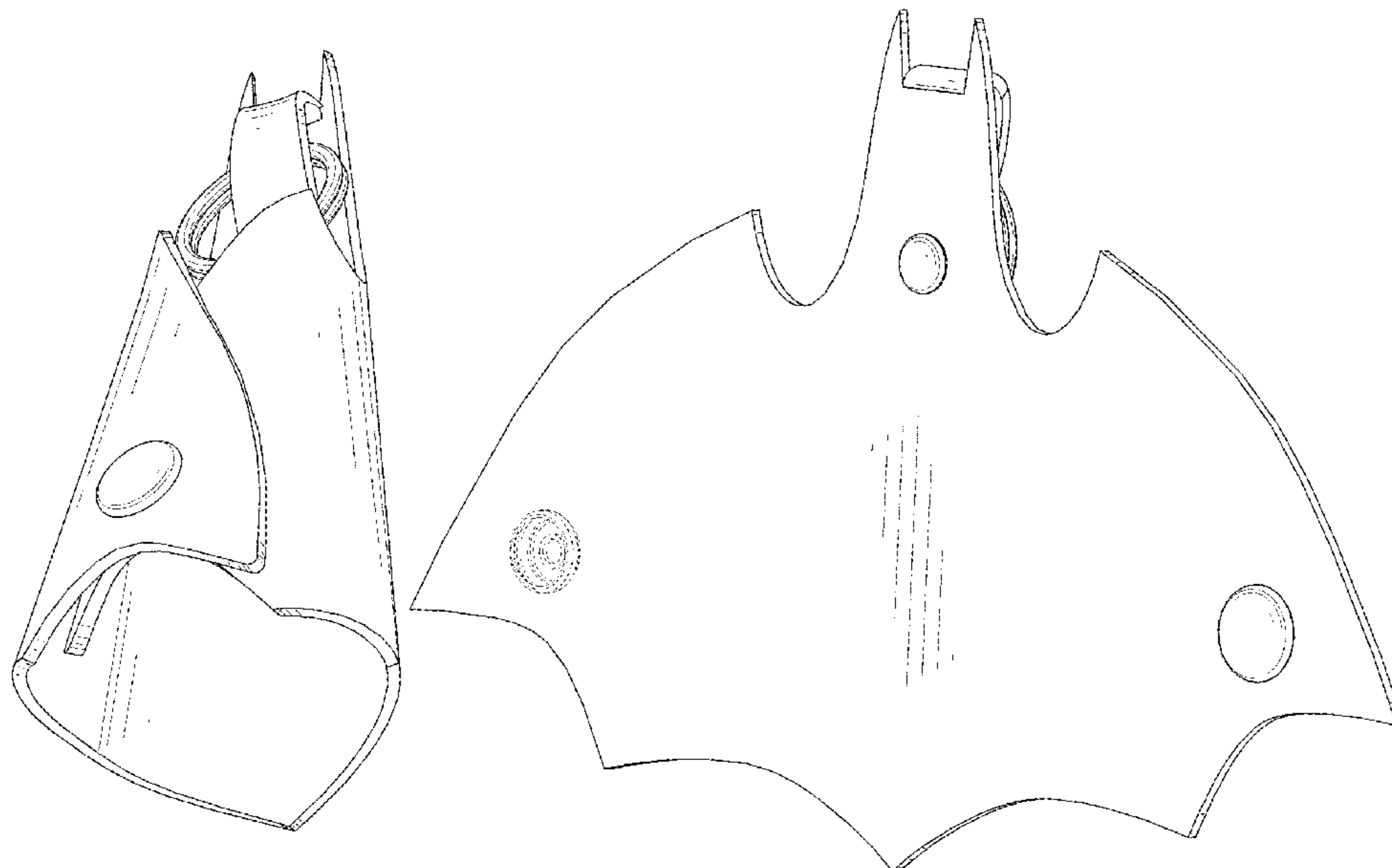
(57) **CLAIM**

The ornamental design for a keychain, as shown and described.

DESCRIPTION

FIG. 1 is a first perspective view of a keychain showing my new design;
FIG. 2 is a second perspective view thereof;
FIG. 3 is a front view thereof;
FIG. 4 is a back view thereof;
FIG. 5 is a left side view thereof;
FIG. 6 is a right side view thereof;
FIG. 7 is a top view thereof;
FIG. 8 is a bottom view thereof;
FIG. 9 is a perspective view of the keychain thereof in an open state; and,
FIG. 10 is a second perspective view of the keychain thereof in an open state.
The broken lines shown in the drawings depict portions of the keychain that form no part of the claimed design.

1 Claim, 10 Drawing Sheets



(56)

References Cited

U.S. PATENT DOCUMENTS

D463,510 S * 9/2002 Weiser D21/585
D506,056 S * 6/2005 Burns D3/207
D509,353 S * 9/2005 Billings D3/211
D540,111 S * 4/2007 Nichols D7/354
D557,491 S * 12/2007 Cerullo D3/207
D604,944 S * 12/2009 Chiu D3/211
D608,689 S * 1/2010 Cerullo D11/221
D629,191 S * 12/2010 Ogalde D3/216
D639,046 S * 6/2011 Ormsbee D3/207
D654,332 S * 2/2012 Mills D7/675
D783,591 S * 4/2017 Grutzik D14/252
D788,448 S * 6/2017 Pennington D3/211
D792,581 S * 7/2017 Wexler D24/125
D819,958 S * 6/2018 LiCalsi D3/207
D822,463 S * 7/2018 Han D8/360
D827,292 S 9/2018 Lee
D841,313 S 2/2019 Wilson
D844,317 S * 4/2019 Poletowski D3/207
D862,068 S * 10/2019 Justiss D3/207
D866,954 S 11/2019 Wood
D882,938 S * 5/2020 Luo D2/978

OTHER PUBLICATIONS

Batman Rebirth Logo Keychain, BioworldInternational.co.uk, [online], [site visited Nov. 13, 2020]. <URL: <https://www.bioworldinternational.co.uk/index.php/batman-rebirth-keychainke.html>> (Year: 2020).*

Dongshen Film Souvenir Superhero Batman Logo Enamel Metal Pendant Keychains Keyrings for Women Men Cosplay Jewelry Gift, AliExpress.com, [online], [site visited Nov. 13, 2020]. <URL: https://www.aliexpress.com/item/1005001709516676.html?aff_platform=link-c-tool&sk=cpRf9CAy&aff_trace_key> (Year: 2020).*

* cited by examiner

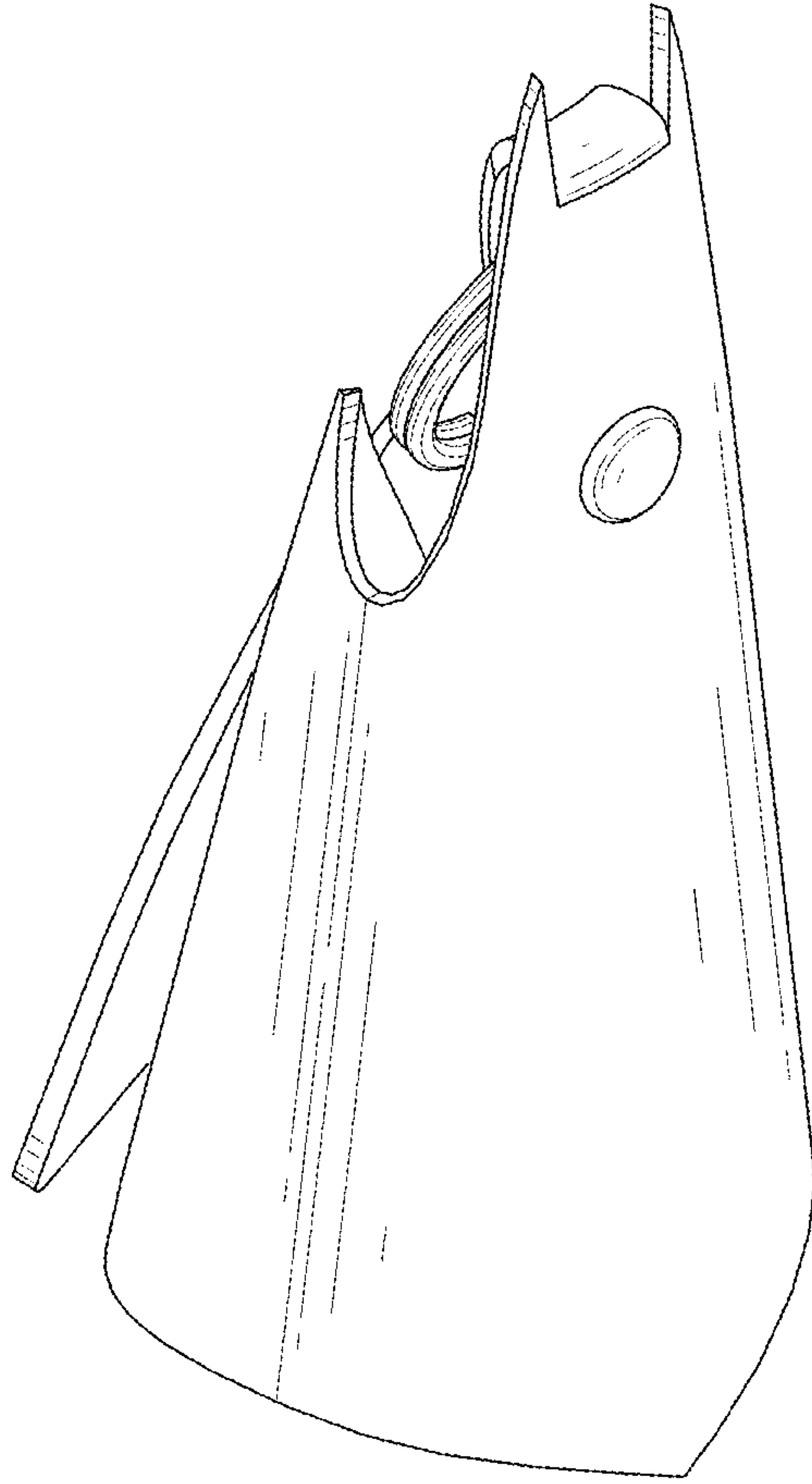


FIG. 1

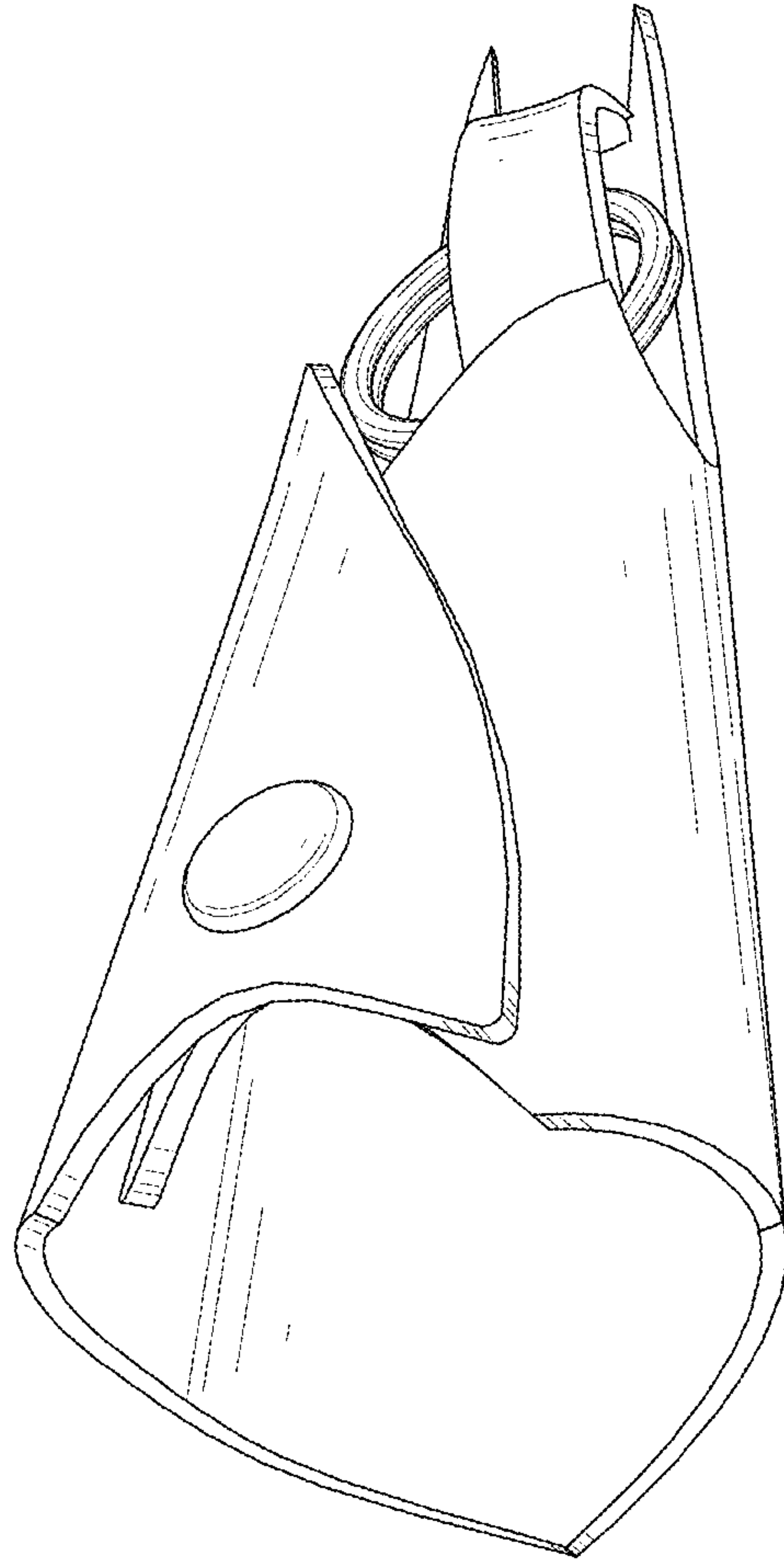


FIG. 2

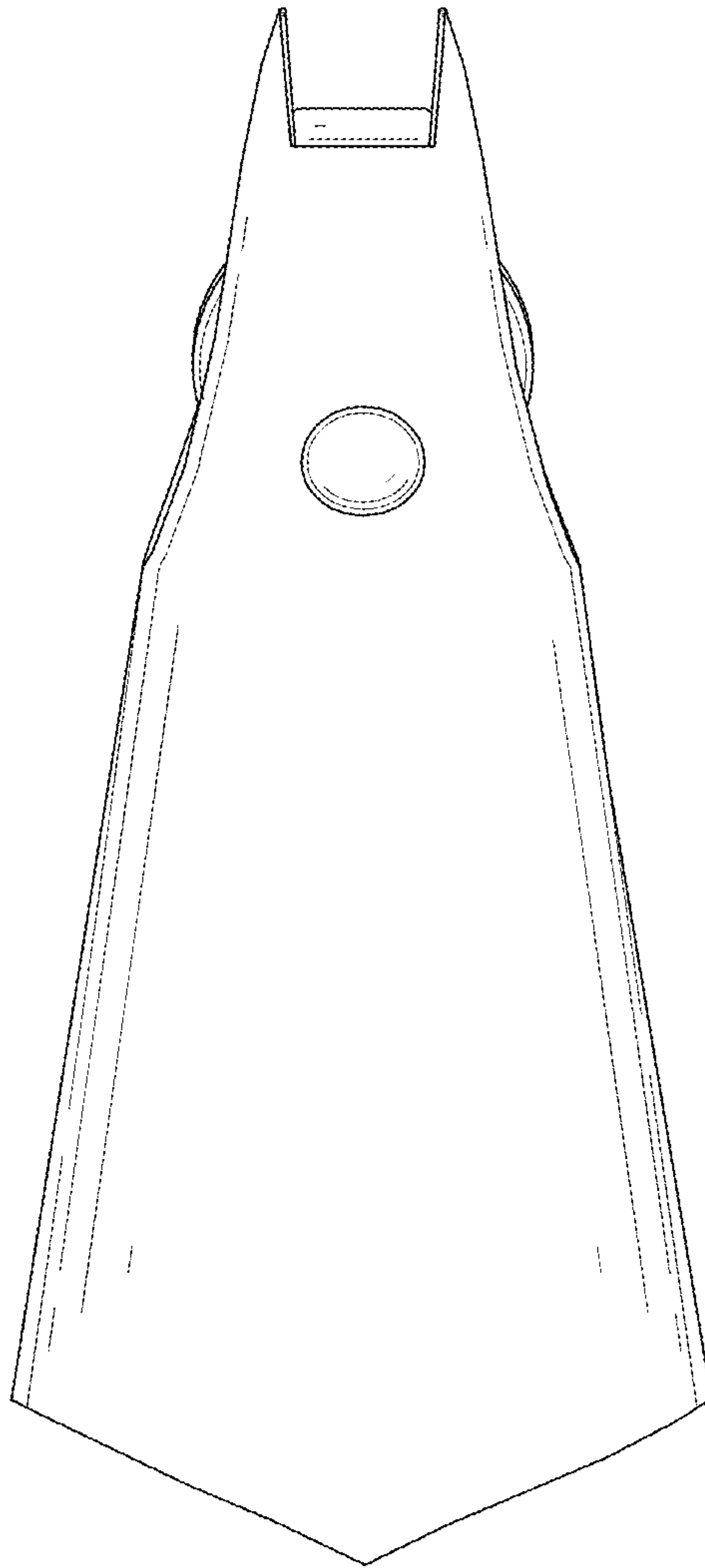


FIG. 3

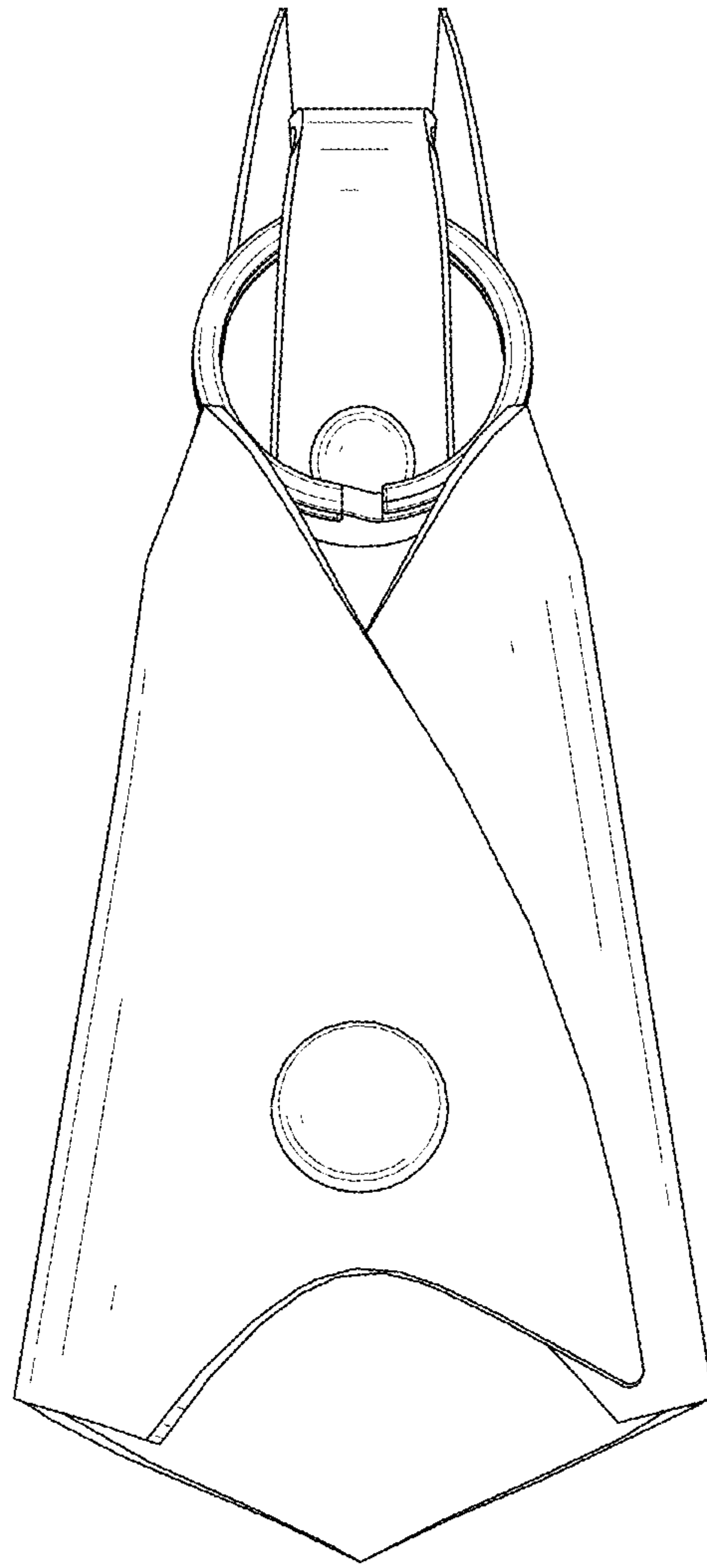


FIG. 4

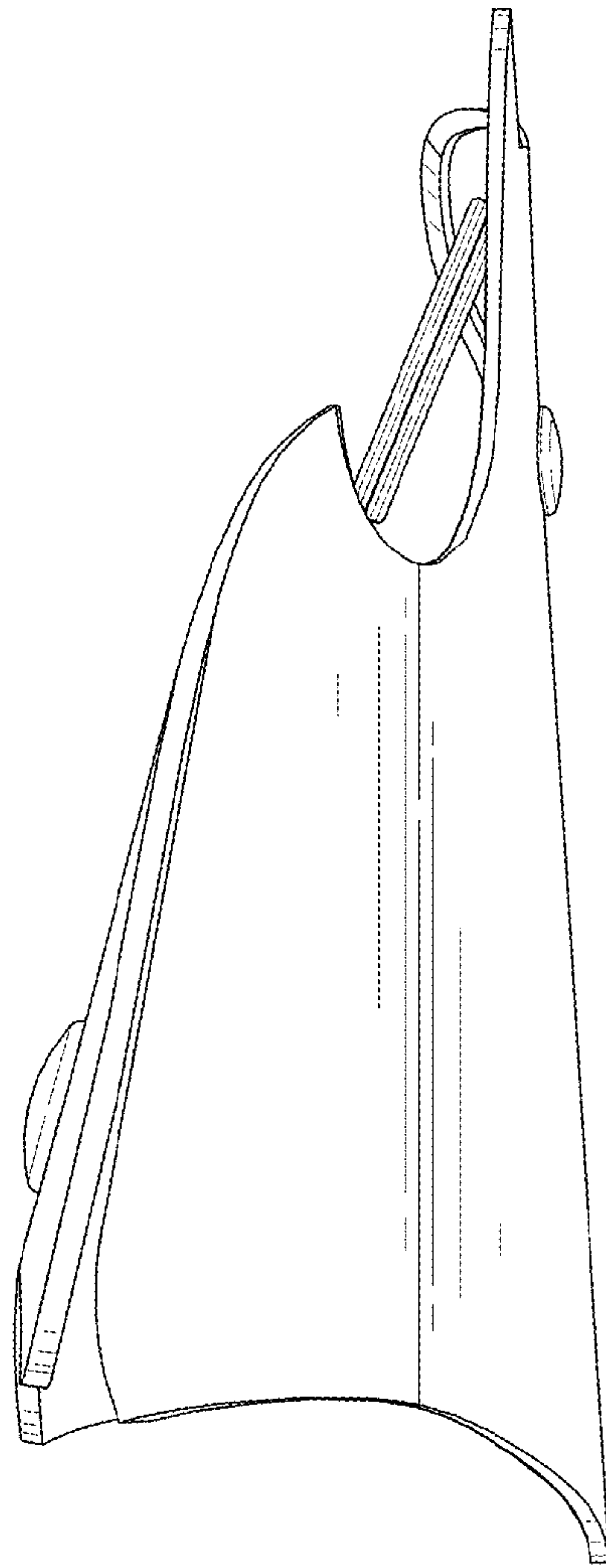


FIG. 5

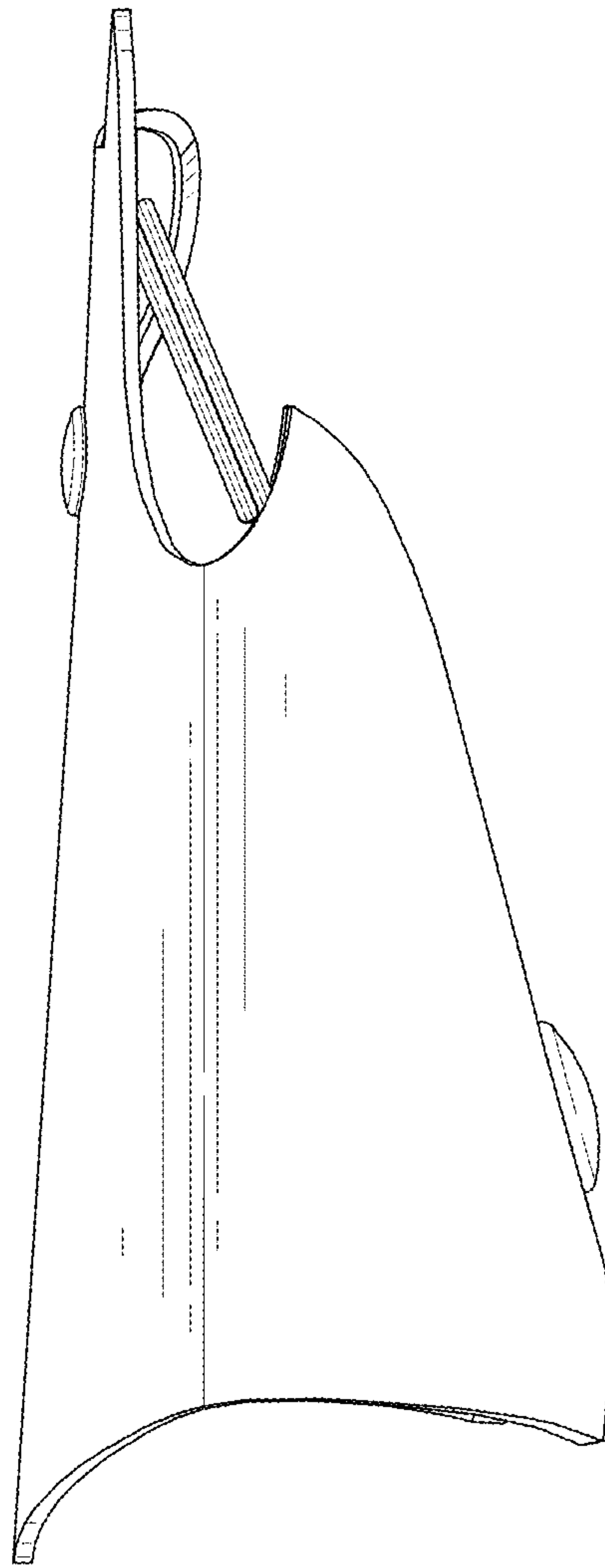


FIG. 6

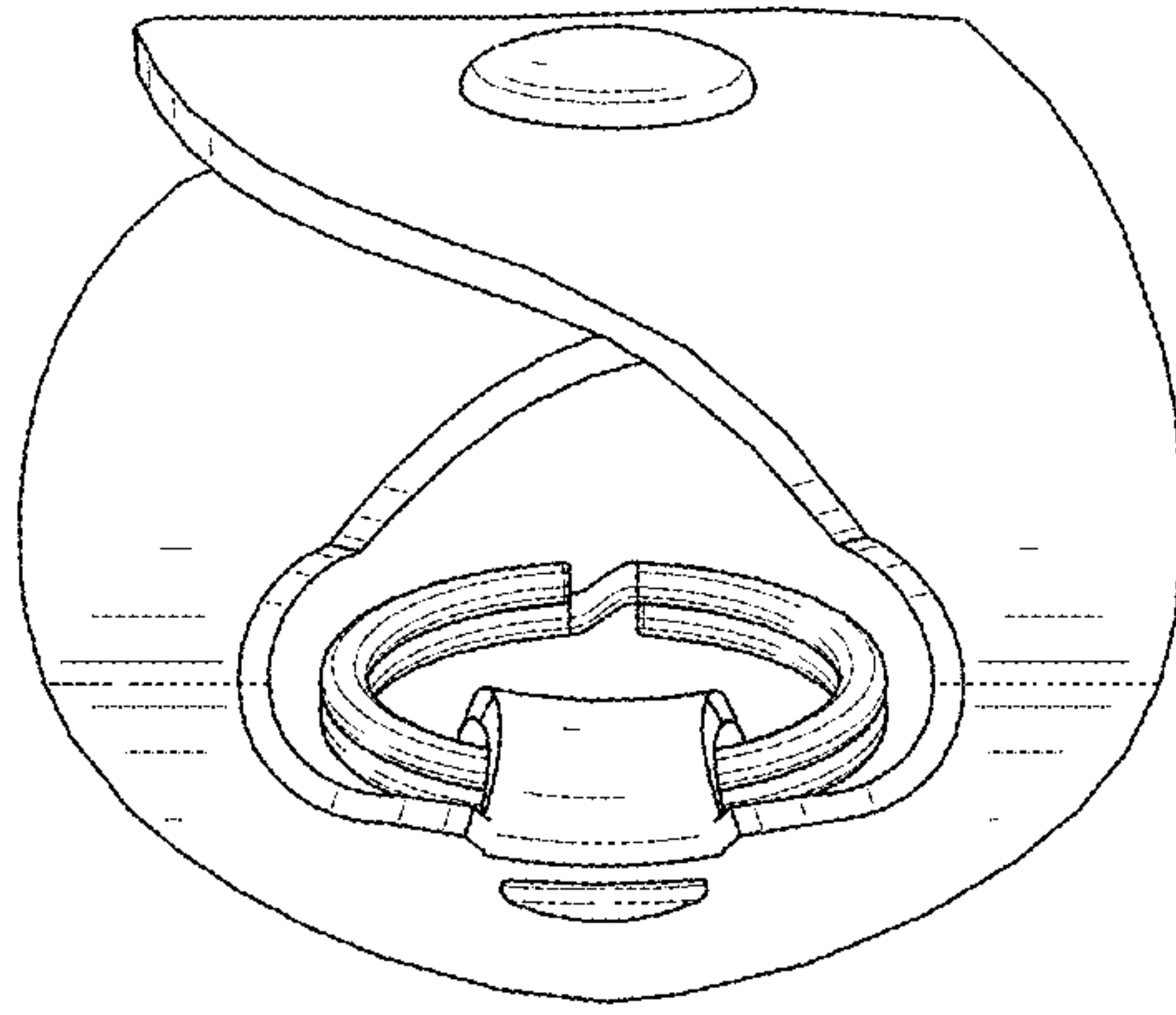


FIG. 7

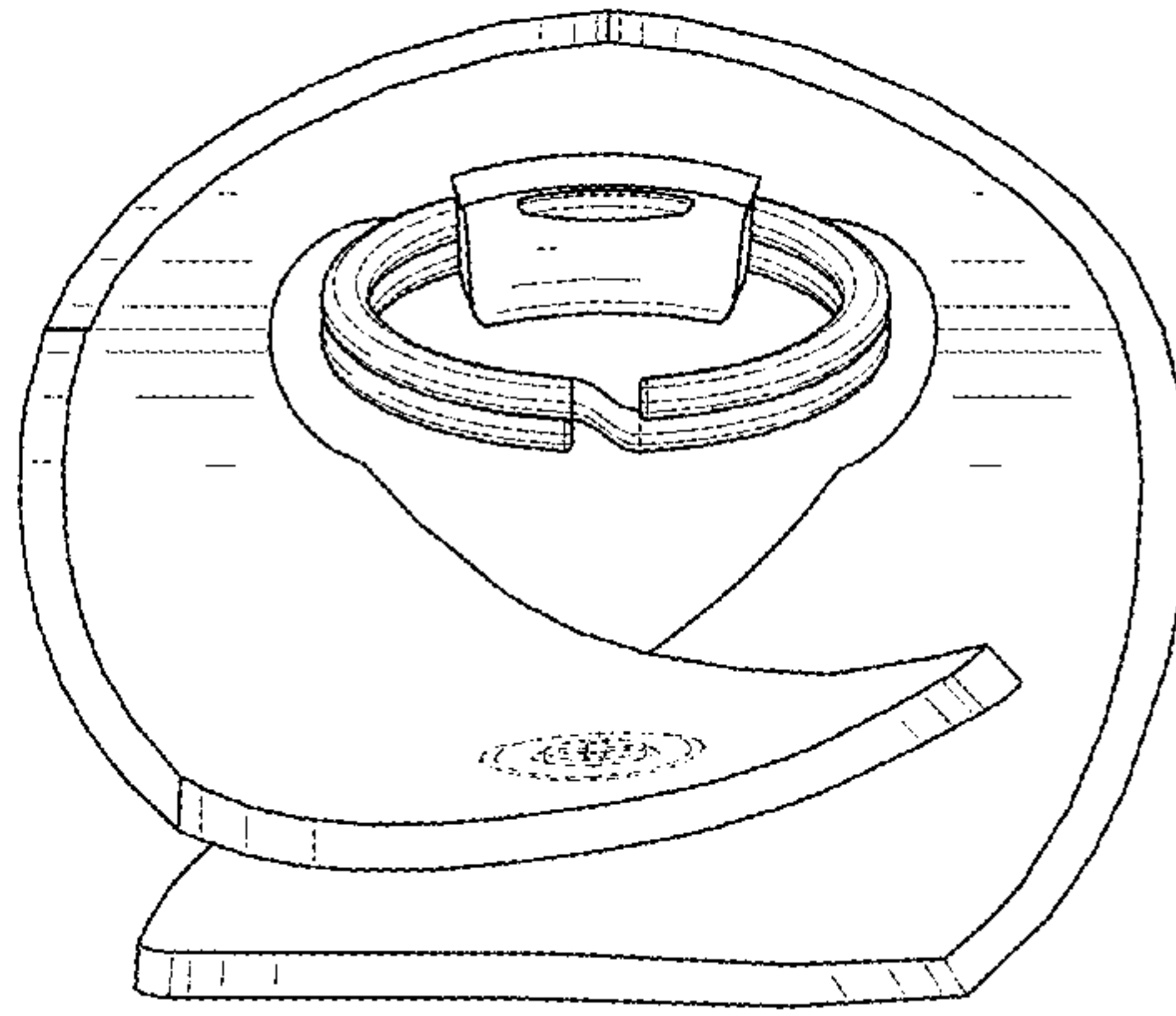


FIG. 8

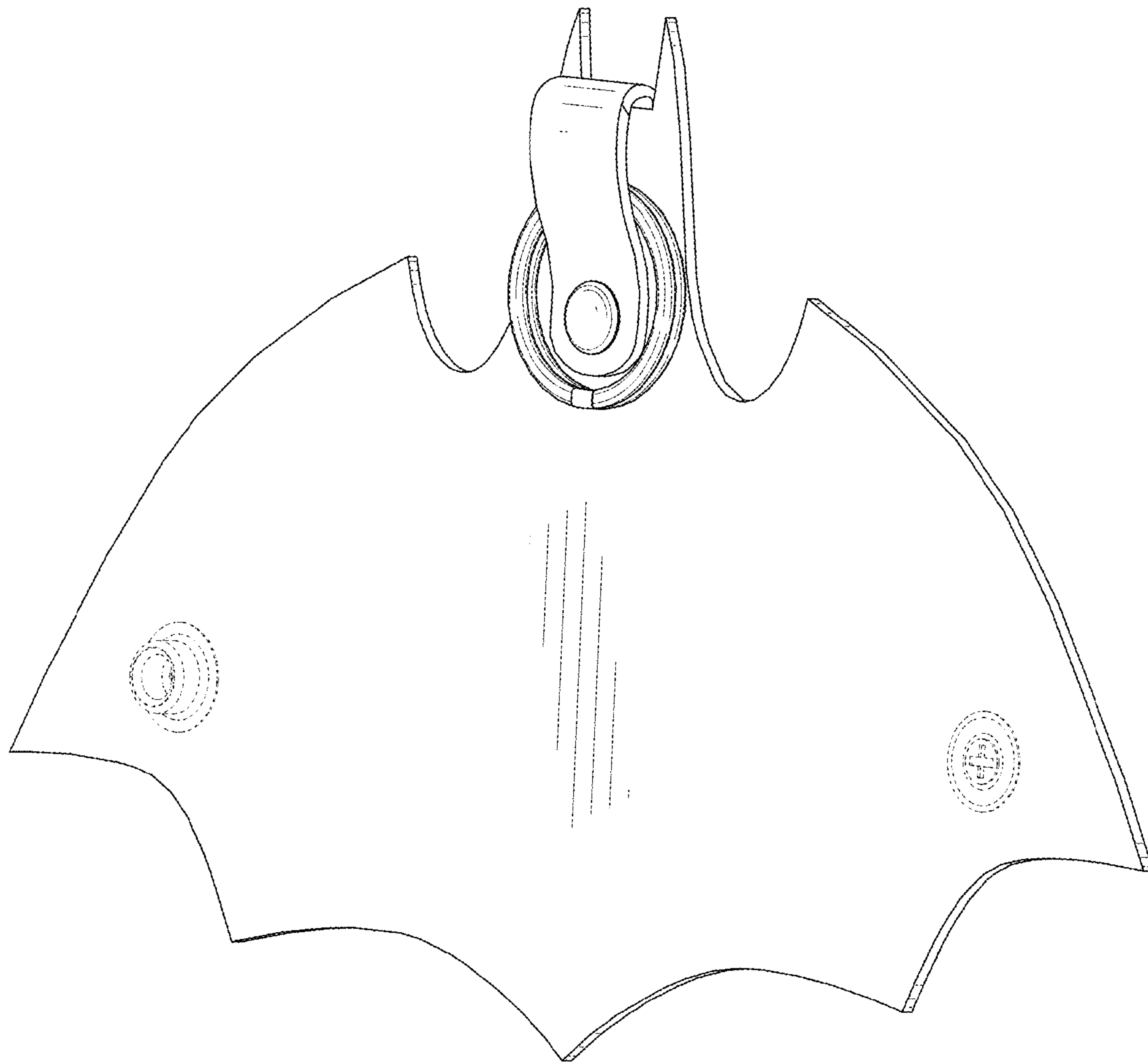


FIG. 9

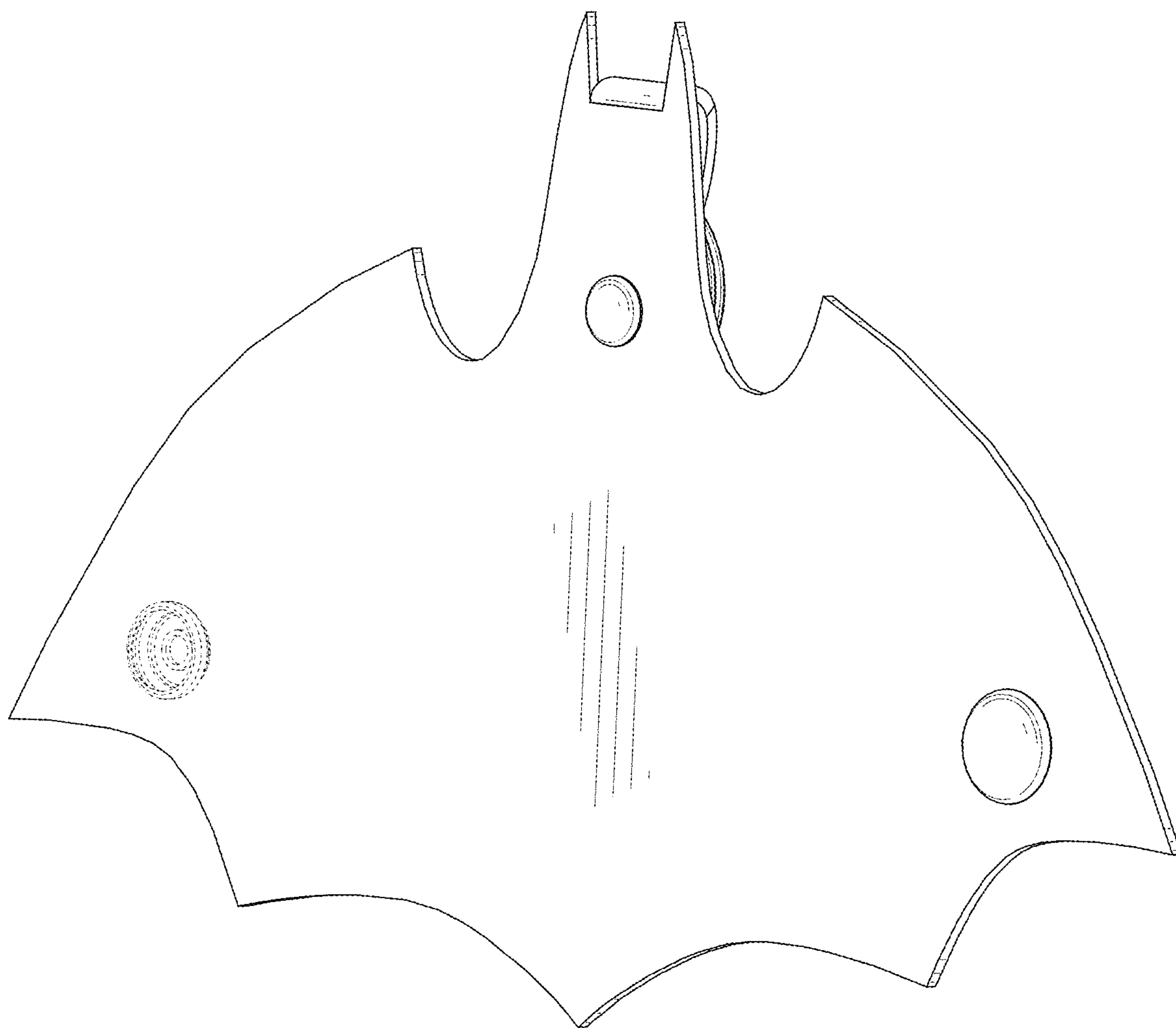


FIG. 10