



US00D910307S

(12) **United States Design Patent**
Yang et al.

(10) **Patent No.:** **US D910,307 S**

(45) **Date of Patent:** **** Feb. 16, 2021**

(54) **TOOTHBRUSH CASE**

(71) Applicant: **THUMBS UP CROSS BORDER
E-COMMERCE CO., LTD.**, Zhuhai
(CN)

(72) Inventors: **Minghui Yang**, Zhuhai (CN); **Yubin Li**,
Zhuhai (CN); **Xiu Zou**, Zhuhai (CN);
Zhidong Wang, Zhuhai (CN); **Yuqiang**
Zhao, Zhuhai (CN); **Rongjin Zheng**,
Zhuhai (CN); **Fen He**, Zhuhai (CN);
Jiacheng Huang, Zhuhai (CN); **Lilin**
Xu, Zhuhai (CN)

(73) Assignee: **THUMBS UP CROSS BORDER
E-COMMERCE CO., LTD.**, Zhuhai
(CN)

(**) Term: **15 Years**

(21) Appl. No.: **29/700,073**

(22) Filed: **Jul. 31, 2019**

(30) **Foreign Application Priority Data**

Apr. 26, 2019 (CN) 201930197839.2

(51) **LOC (13) Cl.** **03-03**

(52) **U.S. Cl.**
USPC **D3/205**

(58) **Field of Classification Search**
USPC D3/205, 206
CPC A45C 11/00; A45C 11/008; A45C 11/26;
A45C 2011/007; A45C 9/00; A45D 44/18
See application file for complete search history.

(56) **References Cited**

U.S. PATENT DOCUMENTS

368,471 A * 8/1887 Hargaves A24F 27/00
206/102
2,815,057 A * 12/1957 Tupper A45D 44/18
220/796

D398,150 S * 9/1998 Vonarburg D28/85
D616,753 S * 6/2010 Beam D9/529
D703,060 S * 4/2014 Okulla D9/529
D727,627 S * 4/2015 DeChristofaro D4/199
D738,612 S * 9/2015 Winiski D3/205
D738,613 S * 9/2015 Winiski D3/205
D877,971 S * 3/2020 Bowen D27/101
2018/0037381 A1 * 2/2018 White B65D 50/04

* cited by examiner

Primary Examiner — Charles D Hanson

(74) *Attorney, Agent, or Firm* — Law Offices of Steven
W. Weinrieb

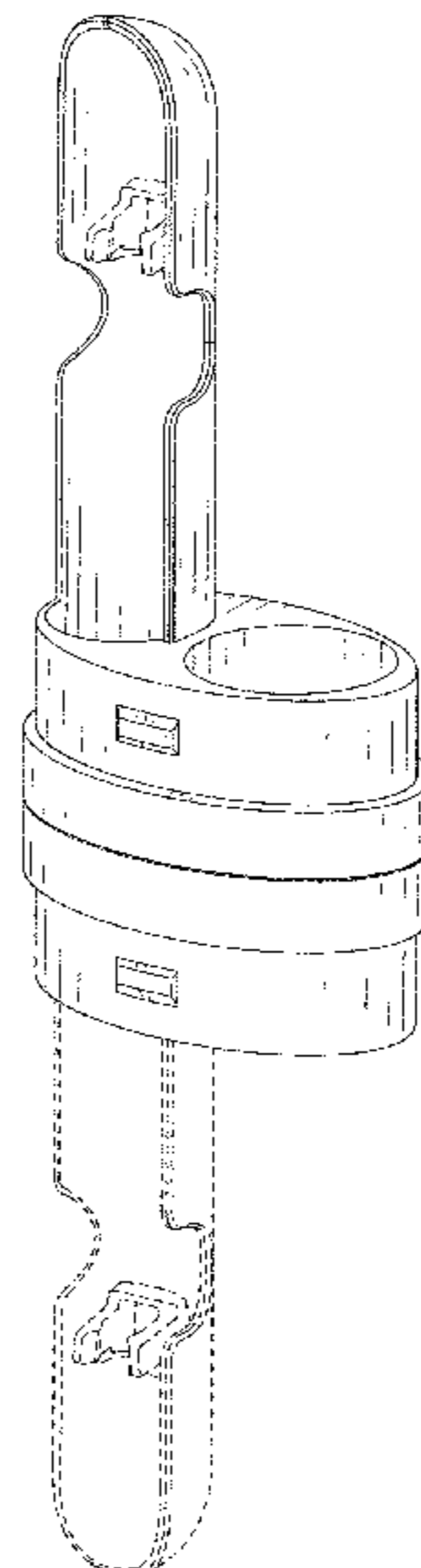
(57) **CLAIM**

The ornamental design for a toothbrush case, as shown and
described.

DESCRIPTION

FIG. 1 is a front, right side, top perspective view of a
toothbrush case showing my new design;
FIG. 2 is a front elevational view thereof;
FIG. 3 is a rear elevational view thereof;
FIG. 4 is a left side elevational view thereof;
FIG. 5 is a right side elevational view thereof;
FIG. 6 is a top plan view thereof;
FIG. 7 is a bottom plan view thereof;
FIG. 8 is a front, right side, top perspective view of thereof
with a cover attached to the lower half of the toothbrush
case; and,
FIG. 9 is a front, right side, top perspective view of thereof
with two covers applied to the toothbrush case.
The broken lines immediately adjacent to the claimed por-
tions are boundaries, all other broken lines are environmen-
tal structures; all the broken lines form no part of the claimed
design.

1 Claim, 9 Drawing Sheets



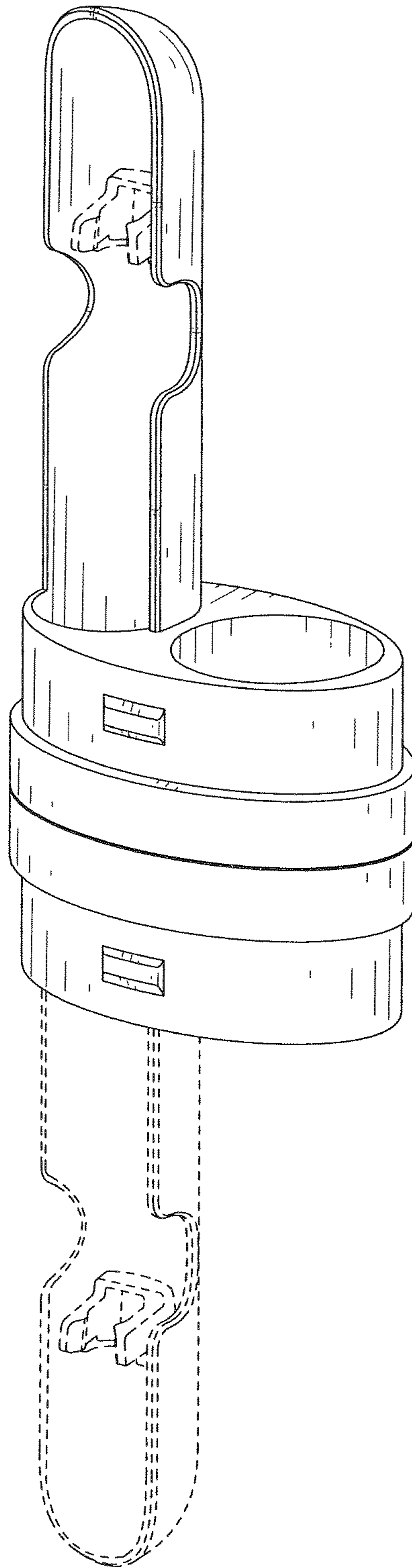


FIG. 1

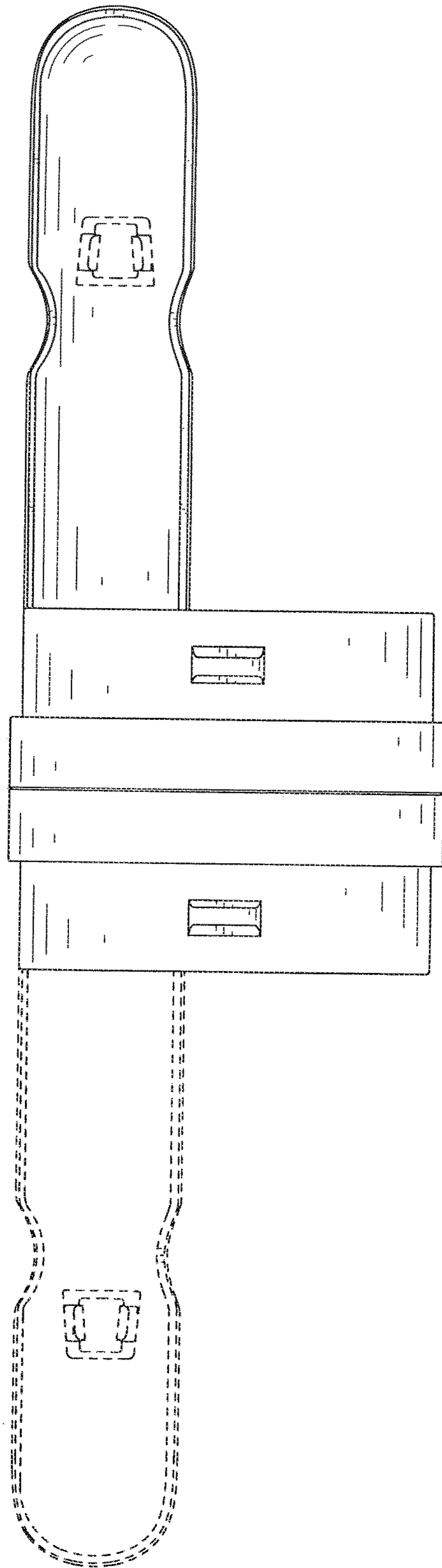


FIG. 2

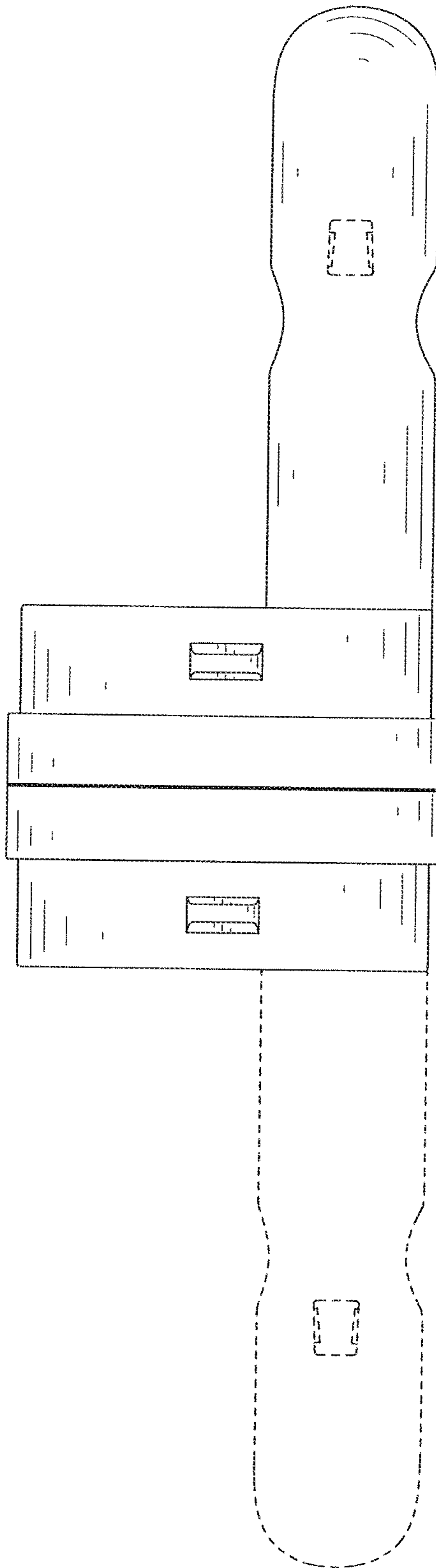


FIG. 3

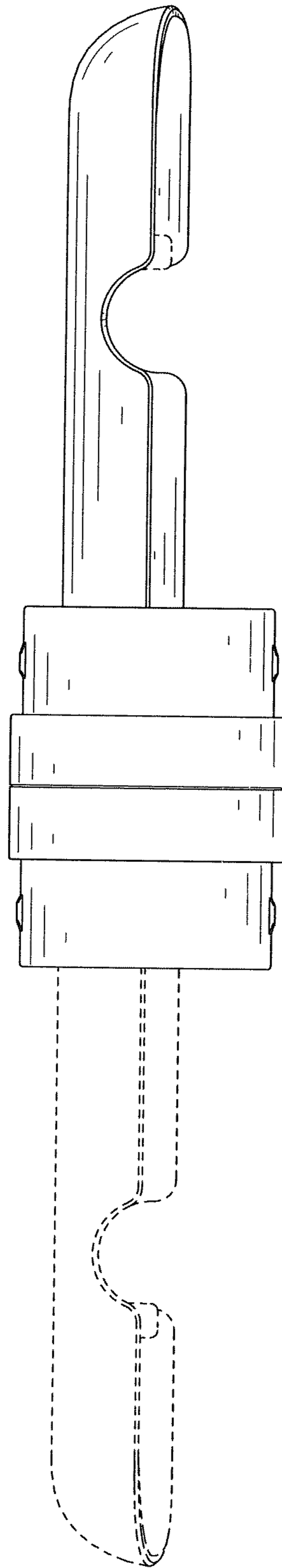


FIG. 4

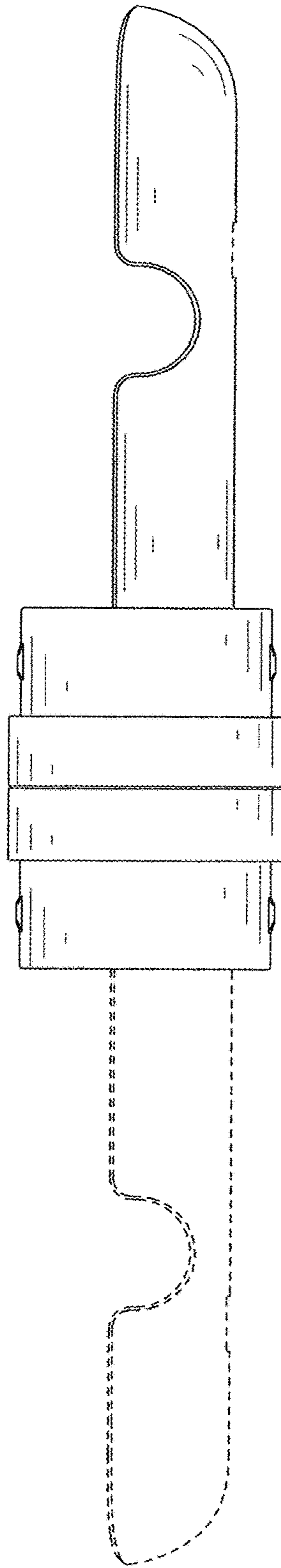


FIG. 5

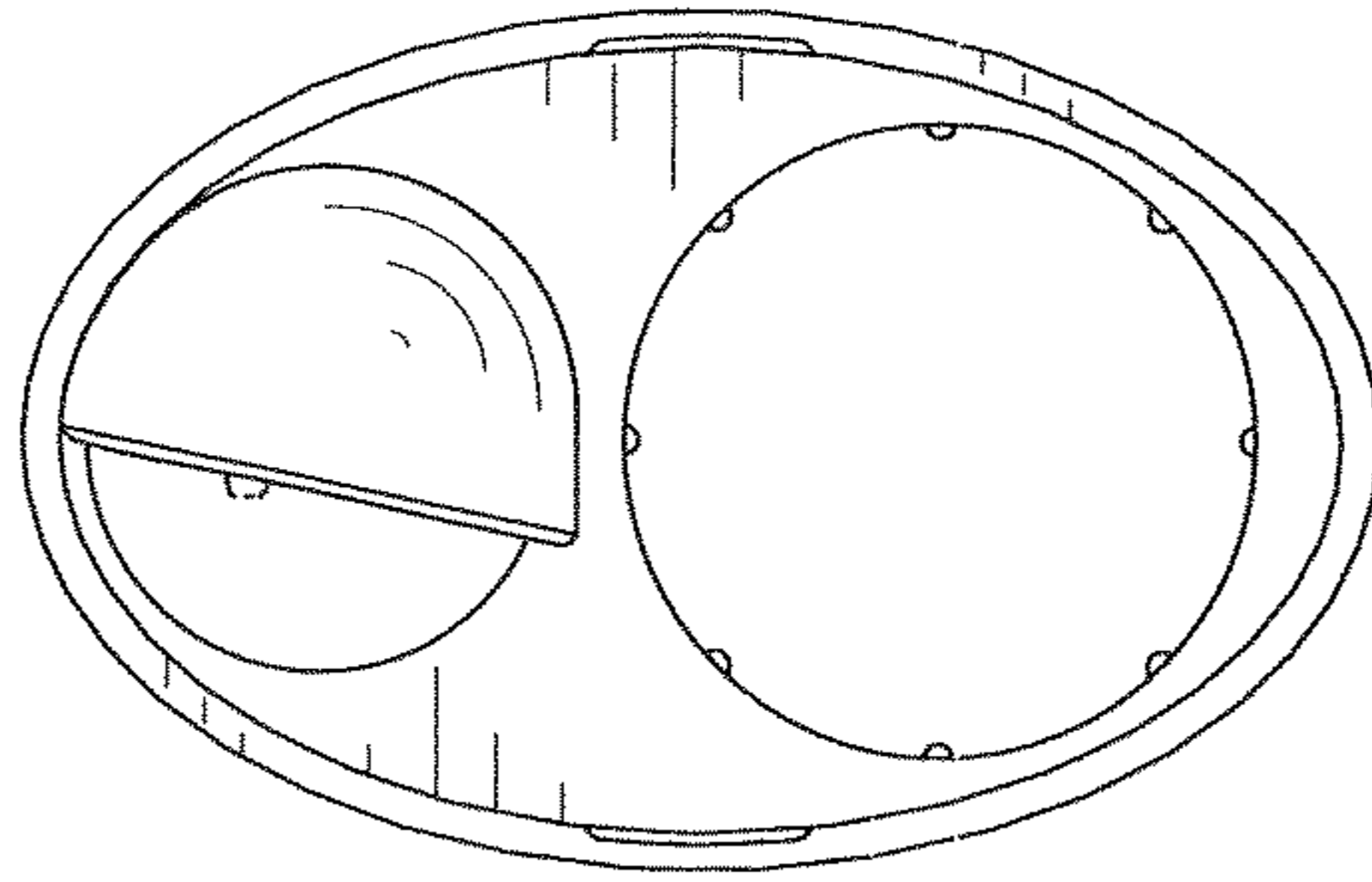


FIG. 6

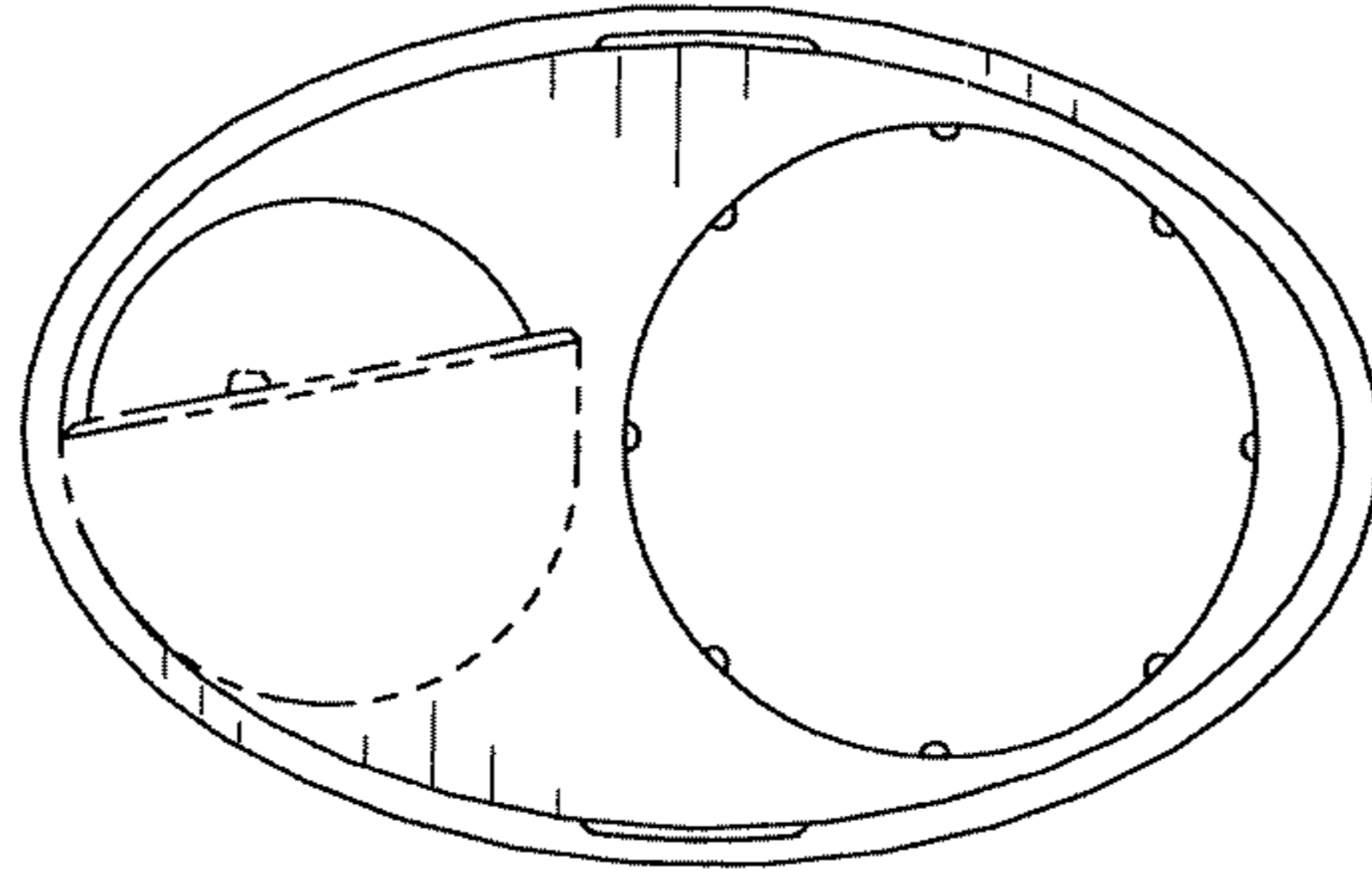


FIG. 7

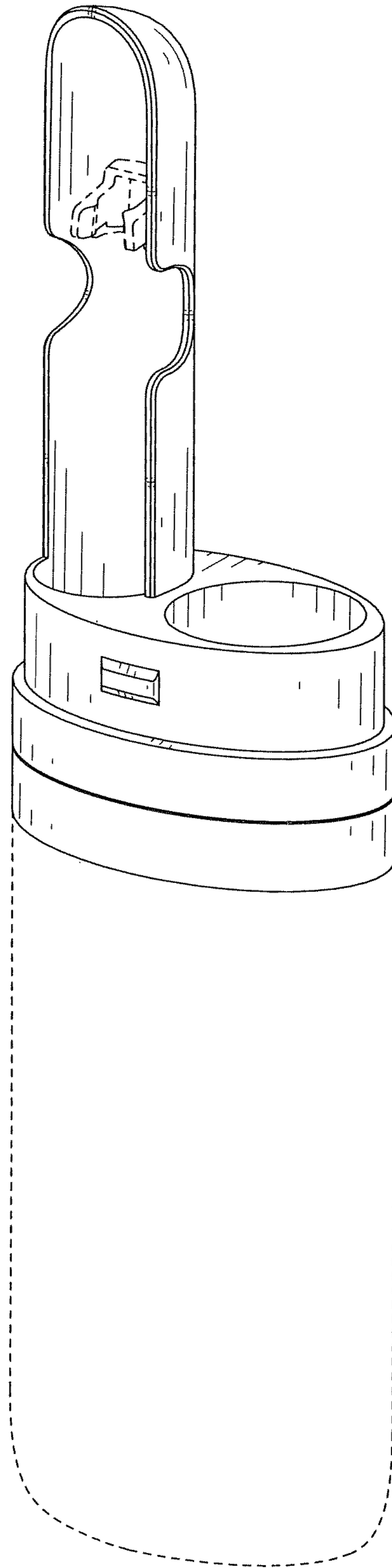


FIG. 8

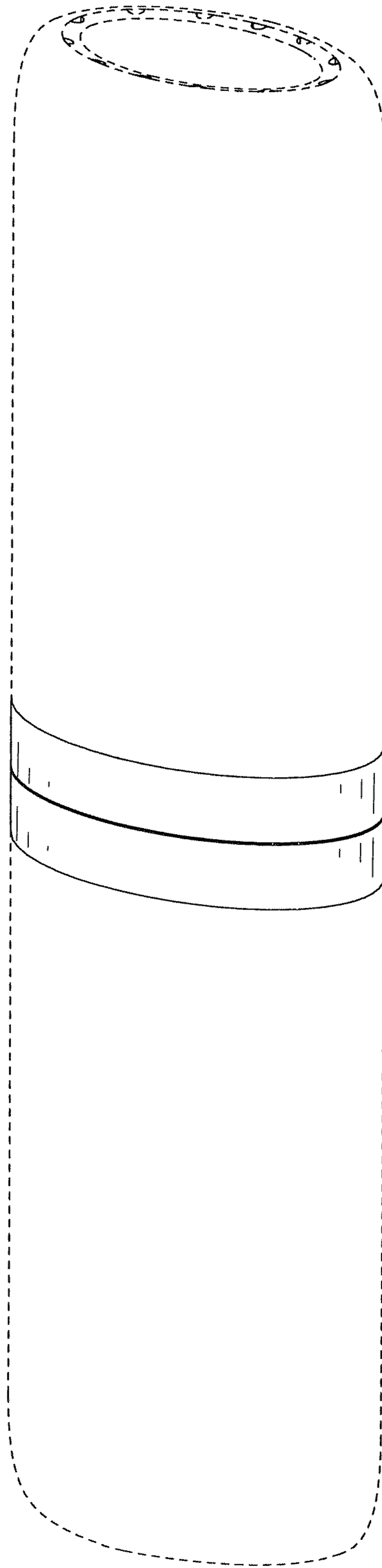


FIG. 9