



US00D910306S

(12) **United States Design Patent**  
**Chui**

(10) **Patent No.:** **US D910,306 S**

(45) **Date of Patent:** **\*\* Feb. 16, 2021**

(54) **PENCIL CASE**

(71) Applicant: **Chiu Wai Chui**, Hong Kong (CN)

(72) Inventor: **Chiu Wai Chui**, Hong Kong (CN)

(\*\*) Term: **15 Years**

(21) Appl. No.: **29/696,822**

(22) Filed: **Jul. 1, 2019**

(51) **LOC (13) Cl.** ..... **03-03**

(52) **U.S. Cl.**  
USPC ..... **D3/205**

(58) **Field of Classification Search**  
USPC ..... D3/205, 206  
CPC ..... A45C 11/00; A45C 11/008; A45C 11/26;  
A45C 2011/007; A45C 9/00; A45D 44/18  
See application file for complete search history.

(56) **References Cited**

**U.S. PATENT DOCUMENTS**

D367,558 S \* 3/1996 Lai ..... D3/281  
D370,557 S \* 6/1996 Ferris ..... D3/201  
D484,305 S \* 12/2003 Eldon, III ..... D3/205

D778,503 S \* 2/2017 Teller ..... D28/85  
D811,723 S \* 3/2018 Chen ..... D3/206  
D829,120 S \* 9/2018 Mitchell ..... D10/104.1  
D839,586 S \* 2/2019 Li ..... D3/205  
D853,113 S \* 7/2019 Wang ..... D3/276

\* cited by examiner

*Primary Examiner* — Charles D Hanson

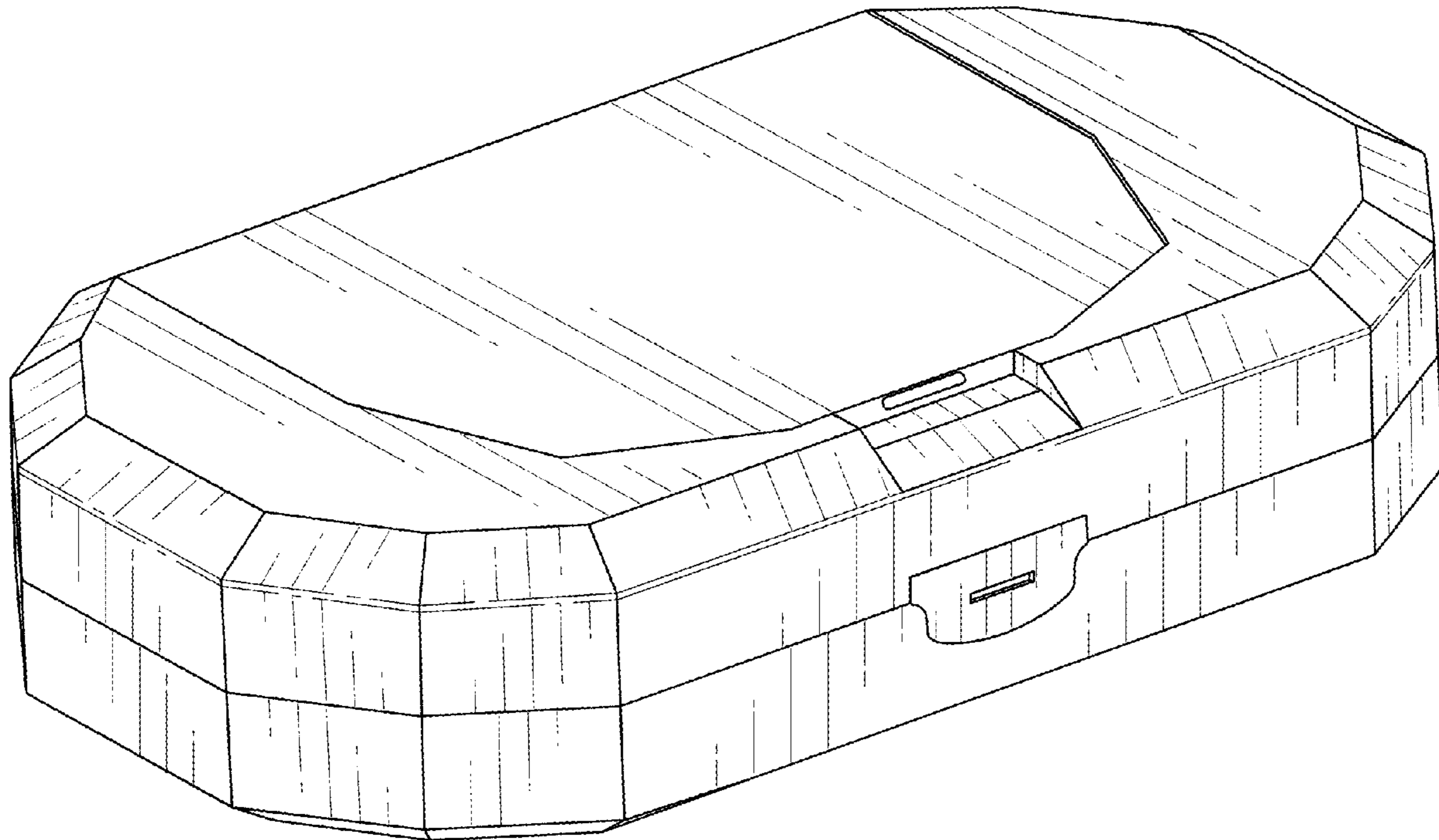
(57) **CLAIM**

The ornamental design for a pencil case, as shown and described.

**DESCRIPTION**

FIG. 1 is a top perspective view of a pencil case showing my design;  
FIG. 2 is a bottom perspective view thereof;  
FIG. 3 is a left side view thereof;  
FIG. 4 is a right side view thereof;  
FIG. 5 is a rear side view thereof;  
FIG. 6 is a front side view thereof;  
FIG. 7 is a top elevational view thereof; and,  
FIG. 8 is a bottom elevational view thereof.

**1 Claim, 8 Drawing Sheets**



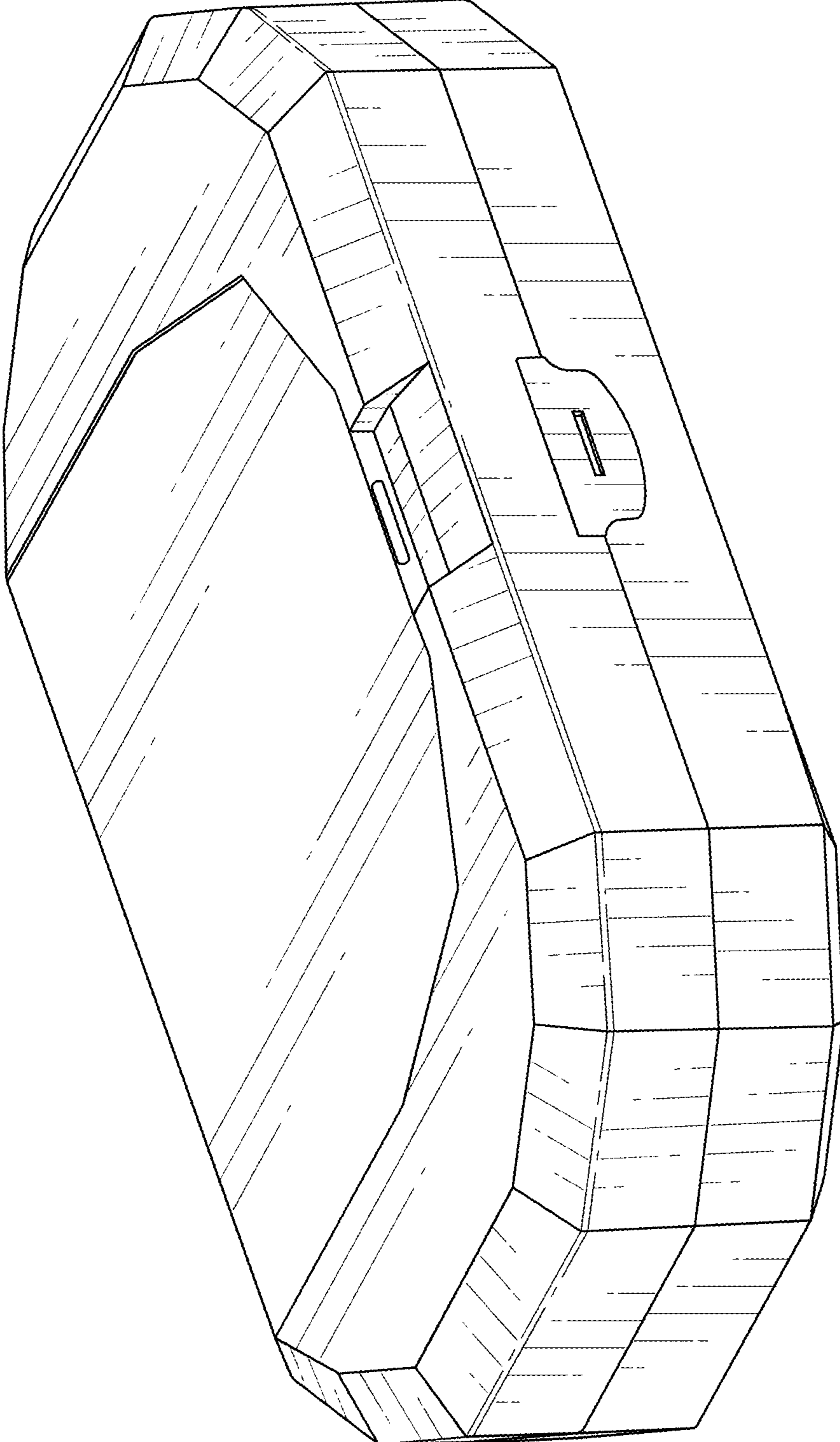


FIG. 1

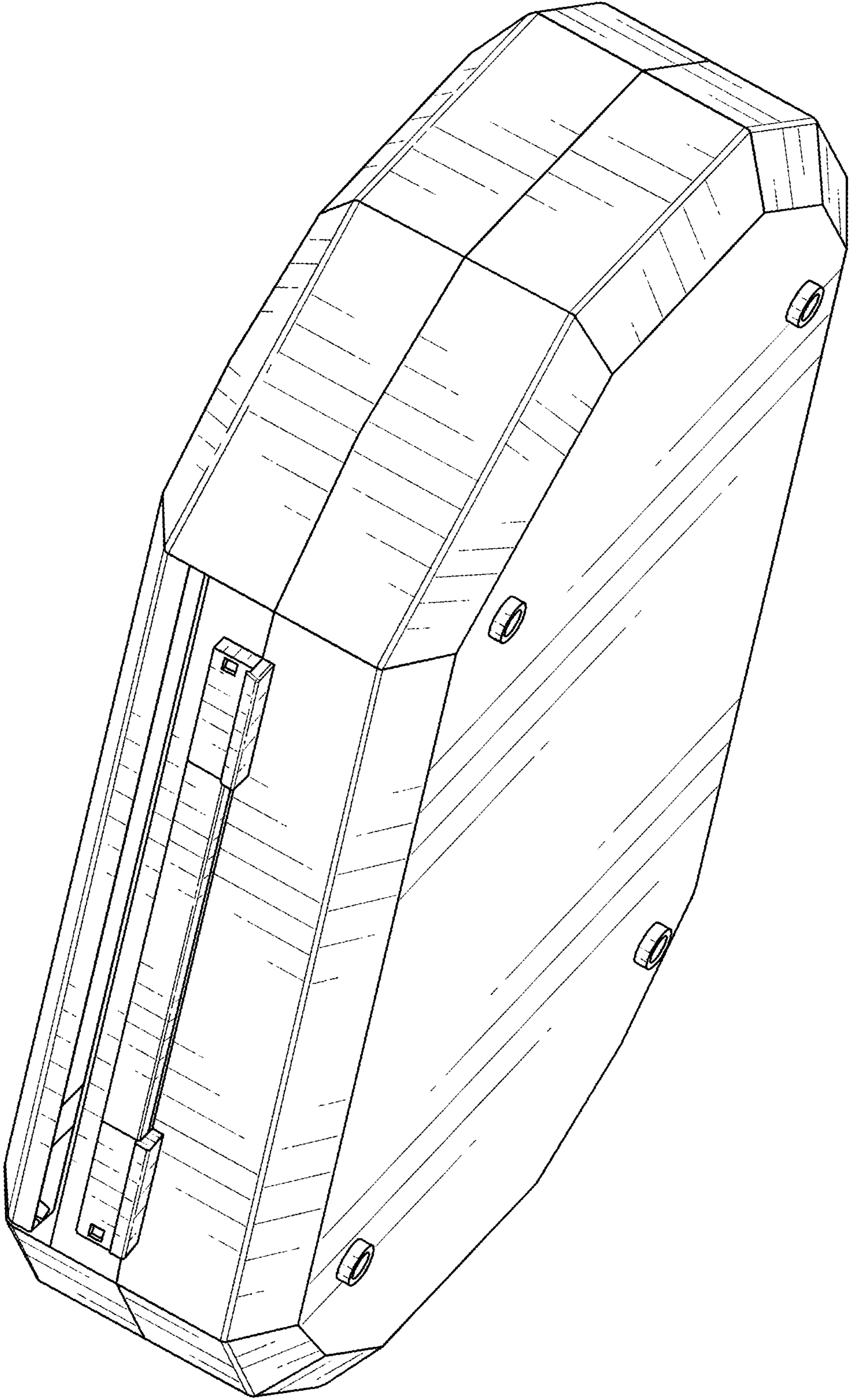


FIG. 2

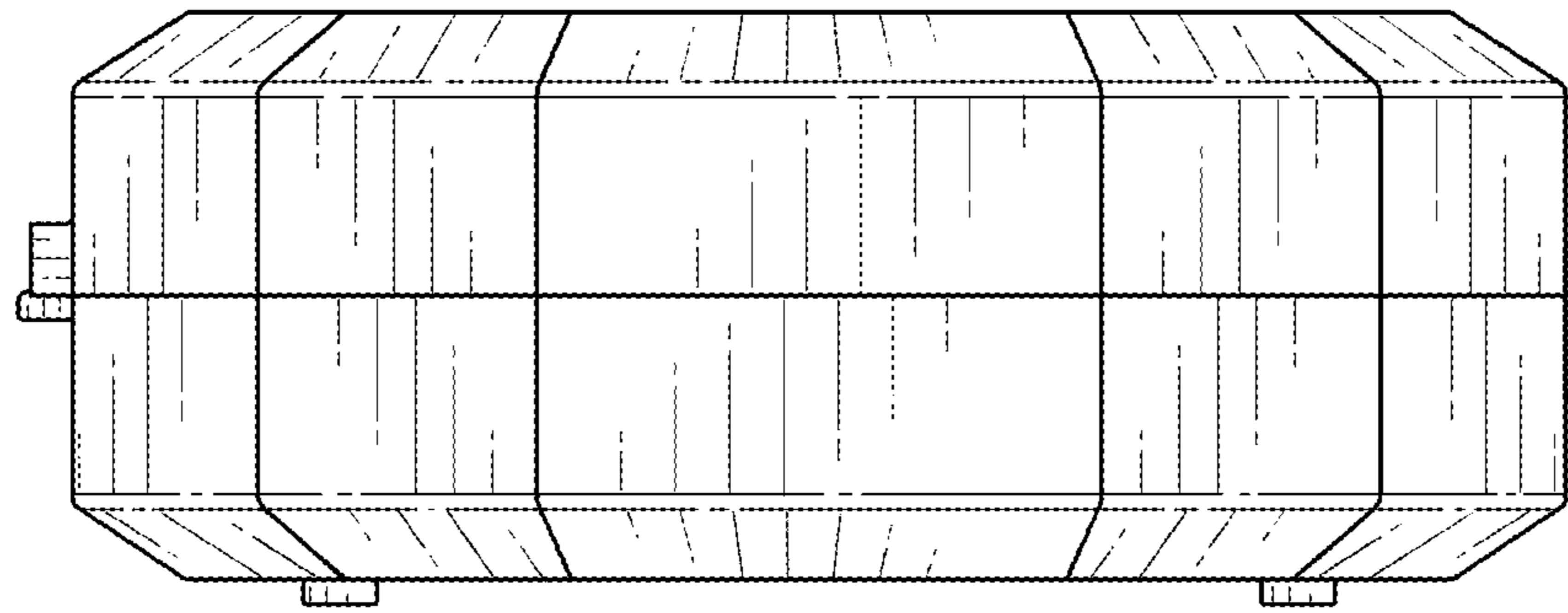


FIG. 3

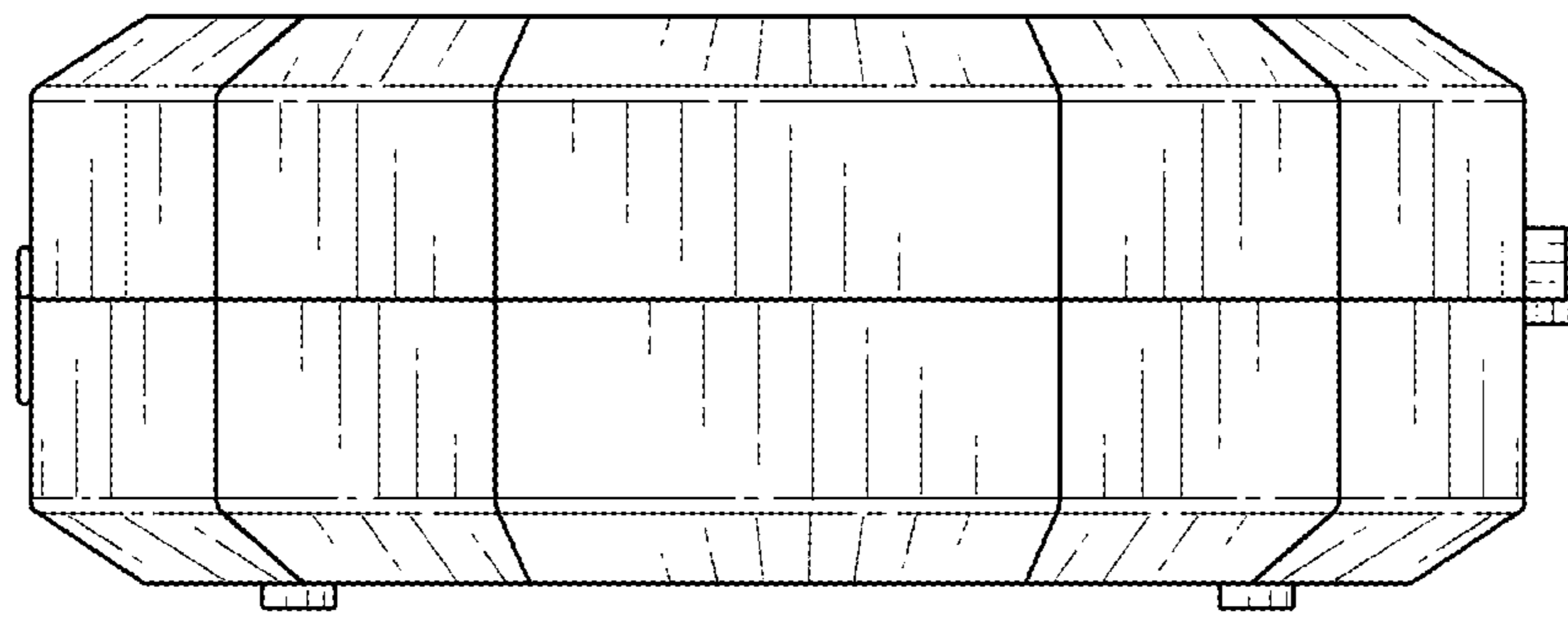


FIG. 4

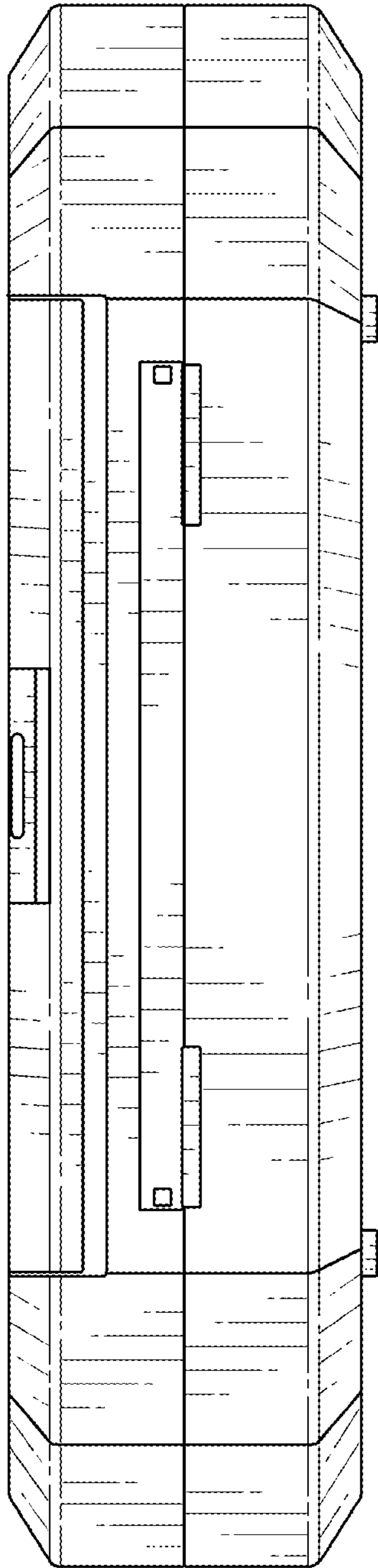


FIG. 5

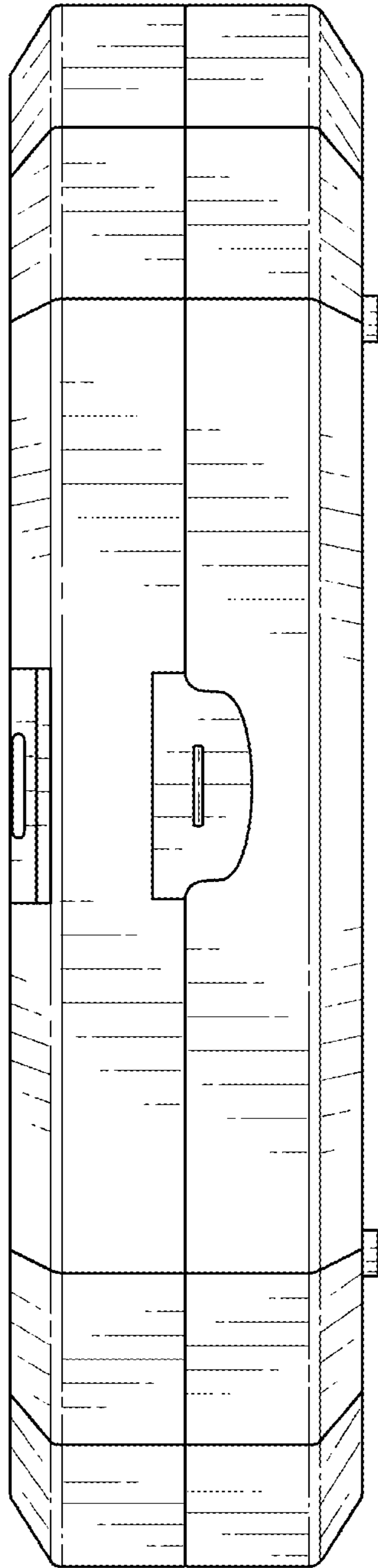


FIG. 6

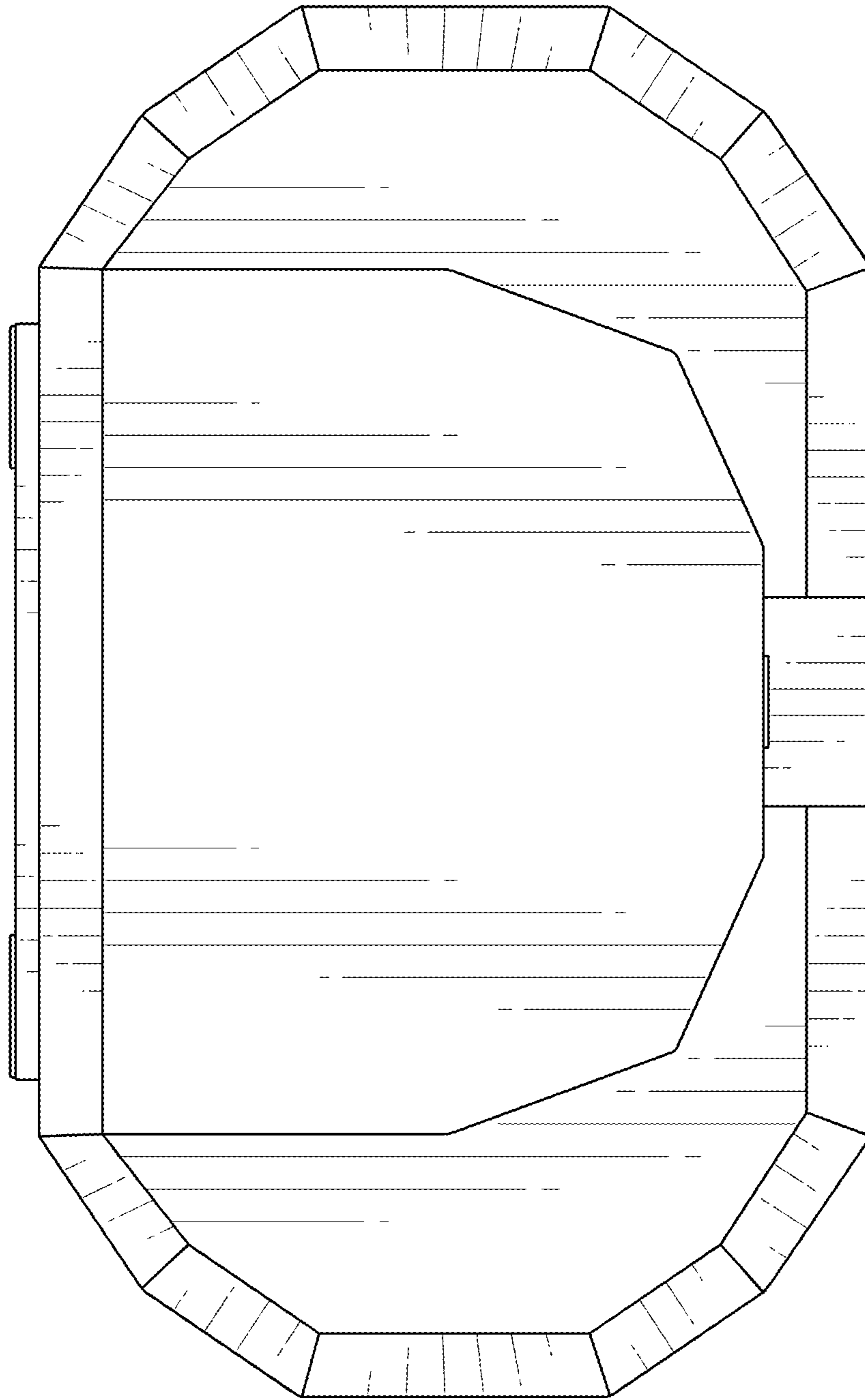


FIG. 7



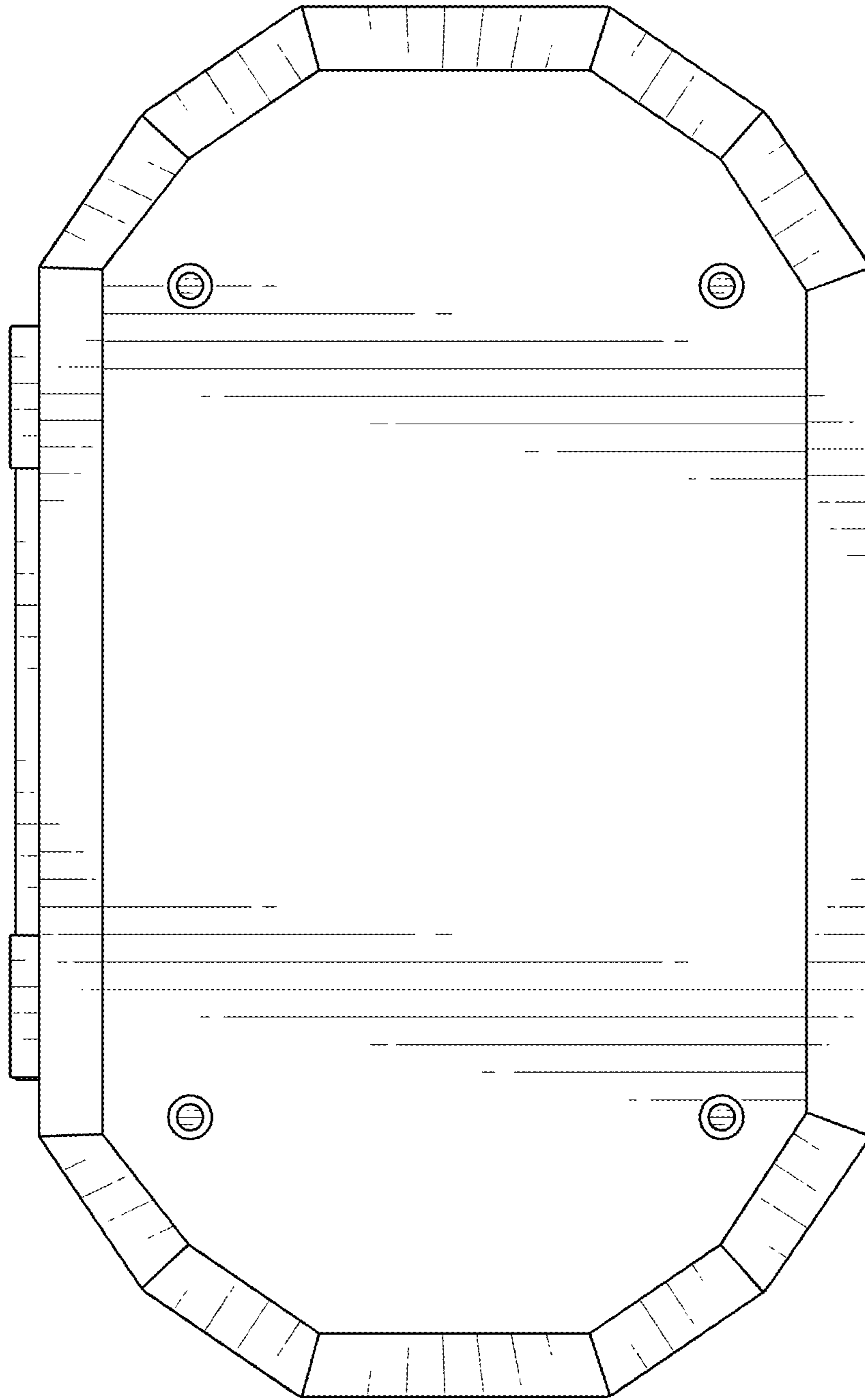


FIG. 8