



US00D910292S

(12) **United States Design Patent**  
**Britton**

(10) **Patent No.:** **US D910,292 S**

(45) **Date of Patent:** **\*\* Feb. 16, 2021**

(54) **FOOTWEAR OUTSOLE**

(71) Applicant: **Deckers Outdoor Corporation**, Goleta, CA (US)

(72) Inventor: **Alice A. Britton**, Santa Barbara, CA (US)

(73) Assignee: **Deckers Outdoor Corporation**, Goleta, CA (US)

(\*\*) Term: **15 Years**

(21) Appl. No.: **29/711,848**

(22) Filed: **Nov. 4, 2019**

(51) **LOC (13) Cl.** ..... **02-04**

(52) **U.S. Cl.**  
USPC ..... **D2/953**; D2/947; D2/951; D2/957;  
D2/959; D2/960

(58) **Field of Classification Search**

USPC ..... D2/902, 906, 908, 916, 918, 925,  
D2/946-962, 977; 36/1, 1.5, 3 B, 22 R,  
36/24.5, 25 R, 28, 32 R, 34 R, 59 C,  
36/67 A, 101-107, 114-116, 117.3, 117.4,  
36/124-136

CPC ..... A43B 13/00; A43B 13/02; A43B 13/023;  
A43B 13/026; A43B 13/04; A43B 13/08;  
A43B 13/10; A43B 13/12; A43B 13/14;  
A43B 13/141; A43B 13/143; A43B  
13/16; A43B 13/18; A43B 13/181; A43B  
13/187; A43B 13/189; A43B 13/20; A43B  
13/22; A43B 13/223; A43B 13/24; A43B  
13/28; A43B 13/30; A43B 13/32; A43B  
13/34; A43B 13/36

See application file for complete search history.

(56) **References Cited**

**U.S. PATENT DOCUMENTS**

D61,017 S \* 5/1922 Heilhecker ..... D2/953  
D80,001 S \* 11/1929 Wydom ..... D2/952

D94,079 S \* 12/1934 Fowler ..... D2/955  
D285,023 S \* 8/1986 Tong ..... 36/32 R  
D291,944 S \* 9/1987 Tong ..... D2/955  
D293,503 S \* 1/1988 Mitsui ..... D2/953  
D298,483 S \* 11/1988 Liggett ..... D2/954  
D324,604 S \* 3/1992 Hoshimi ..... D2/949  
D325,808 S \* 5/1992 Austin ..... D2/955  
D350,430 S \* 9/1994 Pallera ..... D2/952  
D369,895 S \* 5/1996 Finn ..... D2/949

(Continued)

**OTHER PUBLICATIONS**

Classic Mini II UGG Print, Ugg.com, [online], [site visited Dec. 5, 2020]. <URL: https://www.ugg.com/men-boots-classic-boots/classic-mini-ii-ugg-print/1119391.html?dwvar\_1119391\_color=CHE> (Year: 2020).\*

(Continued)

*Primary Examiner* — T Chase Nelson

*Assistant Examiner* — Jonathan J. Han

(74) *Attorney, Agent, or Firm* — Greer, Burns & Crain, Ltd.

(57) **CLAIM**

The ornamental design for a footwear outsole, as shown and described.

**DESCRIPTION**

FIG. 1 is a perspective view of a footwear outsole showing my new design;

FIG. 2 is a bottom plan view thereof;

FIG. 3 is a first side elevational view thereof;

FIG. 4 is an opposite side elevational view thereof;

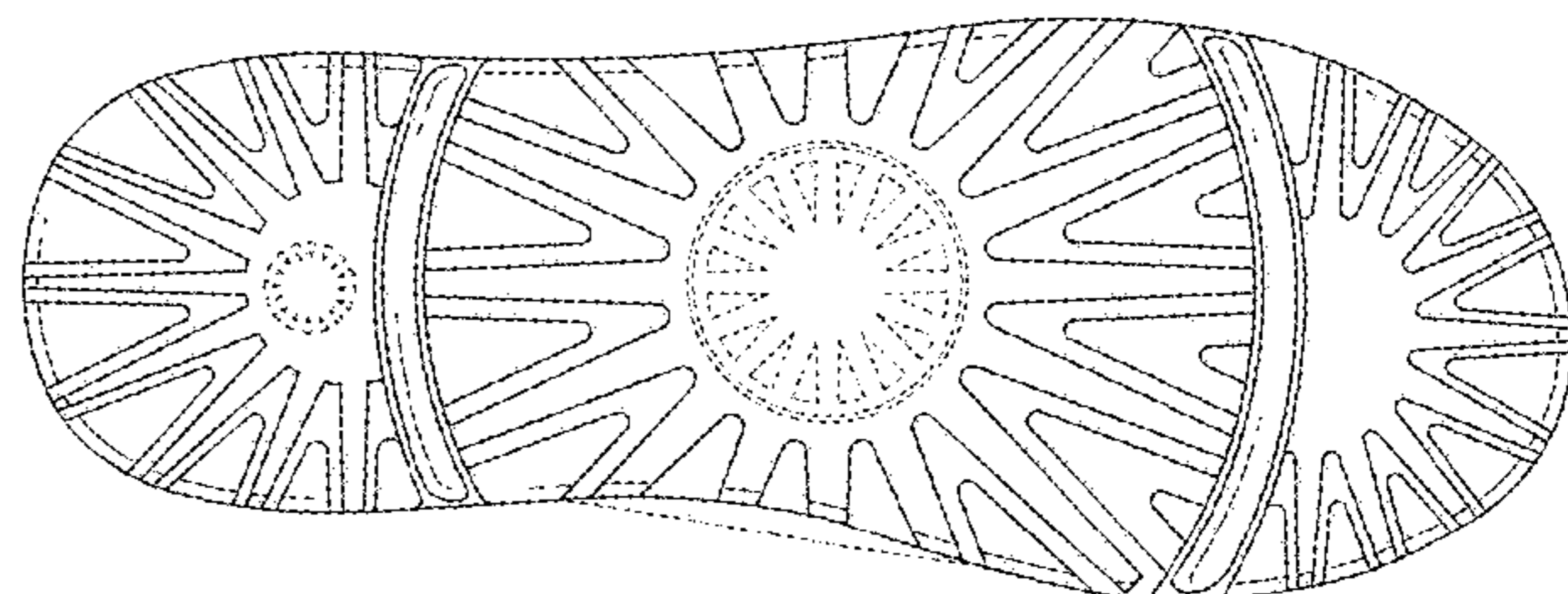
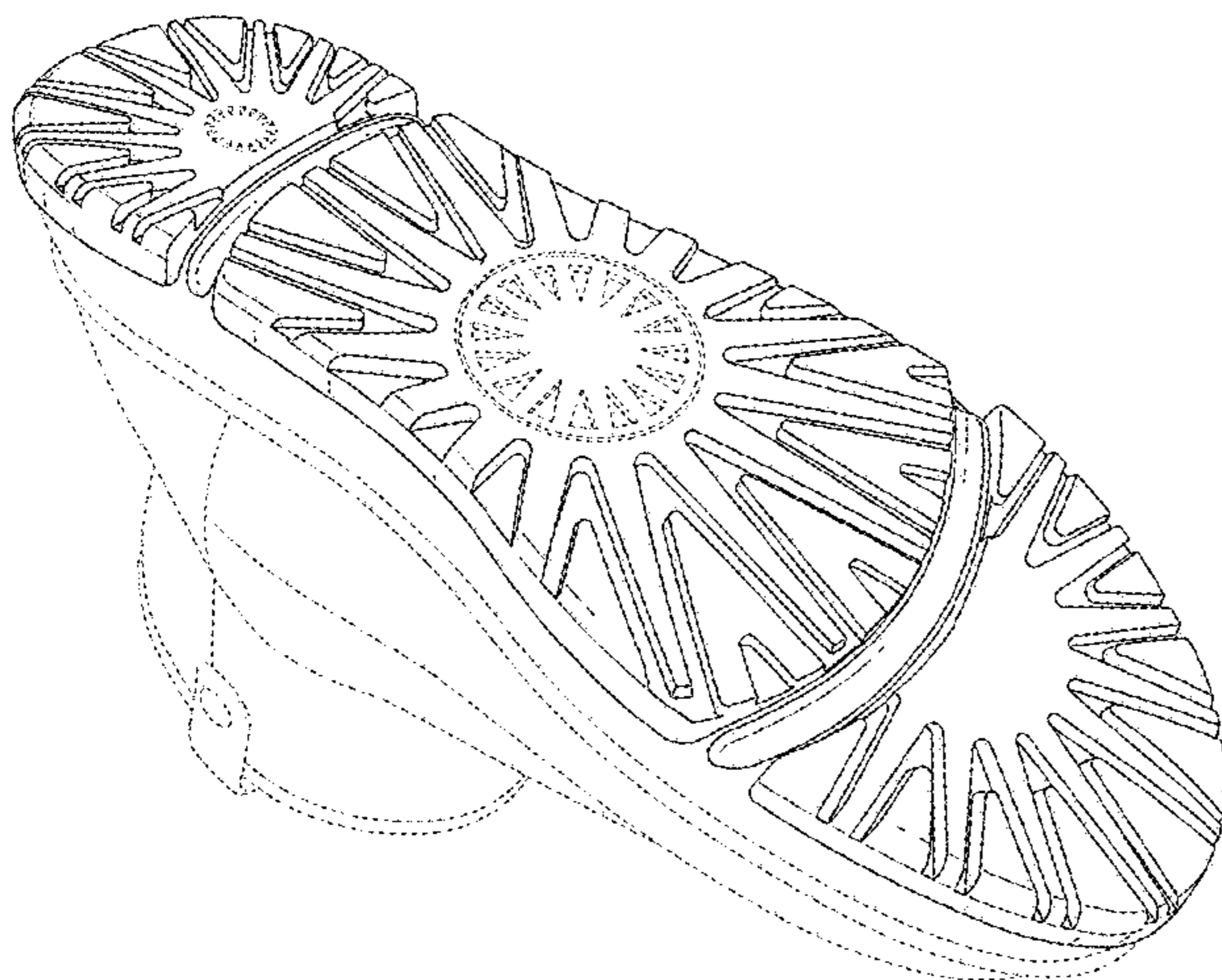
FIG. 5 is a rear elevational view thereof;

FIG. 6 is a front elevational view thereof; and,

FIG. 7 is a top plan view thereof.

The broken lines in FIGS. 1-7 represent portions of the footwear that form no part of the claimed design. The broken lines which define the bounds of the claimed design form no part thereof.

**1 Claim, 3 Drawing Sheets**



(56)

References Cited

U.S. PATENT DOCUMENTS

D372,575 S \* 8/1996 Finn ..... D2/952  
 D396,549 S \* 8/1998 von Conta ..... D2/955  
 D398,745 S \* 9/1998 Cass ..... D2/952  
 D402,446 S \* 12/1998 Kelchak ..... D2/952  
 D494,347 S \* 8/2004 McClaskie ..... D2/947  
 D496,778 S \* 10/2004 Le ..... D2/953  
 D500,400 S \* 1/2005 Le ..... D2/957  
 D500,913 S \* 1/2005 Mangee ..... D2/951  
 D524,519 S \* 7/2006 Le ..... D2/952  
 D548,433 S \* 8/2007 McClaskie ..... D2/952  
 D550,432 S \* 9/2007 Belley ..... D2/952  
 D550,938 S \* 9/2007 Belley ..... D2/952  
 D551,432 S \* 9/2007 Belley ..... D2/952  
 D554,332 S \* 11/2007 Schoenborn ..... D2/952  
 D559,511 S \* 1/2008 Wu ..... D2/953  
 D564,736 S \* 3/2008 Belley ..... D2/951  
 D566,931 S \* 4/2008 Lebo ..... D2/952  
 D572,445 S \* 7/2008 Matis ..... D2/952  
 D575,946 S \* 9/2008 Mitani ..... D2/946  
 D580,135 S \* 11/2008 Belley ..... D2/952

D587,437 S \* 3/2009 McClaskie ..... D2/951  
 D591,945 S \* 5/2009 Belley ..... D2/951  
 D594,638 S 6/2009 Butler  
 D617,541 S \* 6/2010 Petrie ..... D2/955  
 D634,527 S \* 3/2011 Butler ..... D2/954  
 D654,256 S \* 2/2012 McClaskie ..... D2/951  
 D663,515 S \* 7/2012 McClaskie ..... D2/952  
 D694,500 S \* 12/2013 Hardman ..... D2/951  
 D779,804 S 2/2017 MacIntyre  
 D793,050 S 8/2017 Li  
 D877,472 S \* 3/2020 Atwell ..... D2/955  
 D878,022 S \* 3/2020 Enayah ..... D2/953  
 D878,023 S \* 3/2020 Enayah ..... D2/953  
 D885,031 S \* 5/2020 Devito ..... D2/960

OTHER PUBLICATIONS

What is Treadlite by Ugg?, EnglinsFineFootwear.com, Posted by Englin's Fine Footwear on Oct. 7, 2016, [online], [site visited Dec. 5, 2020]. <URL: <https://www.englinsfinefootwear.com/blog/what-is-treadlite-by-ugg/>> (Year: 2016).\*

\* cited by examiner

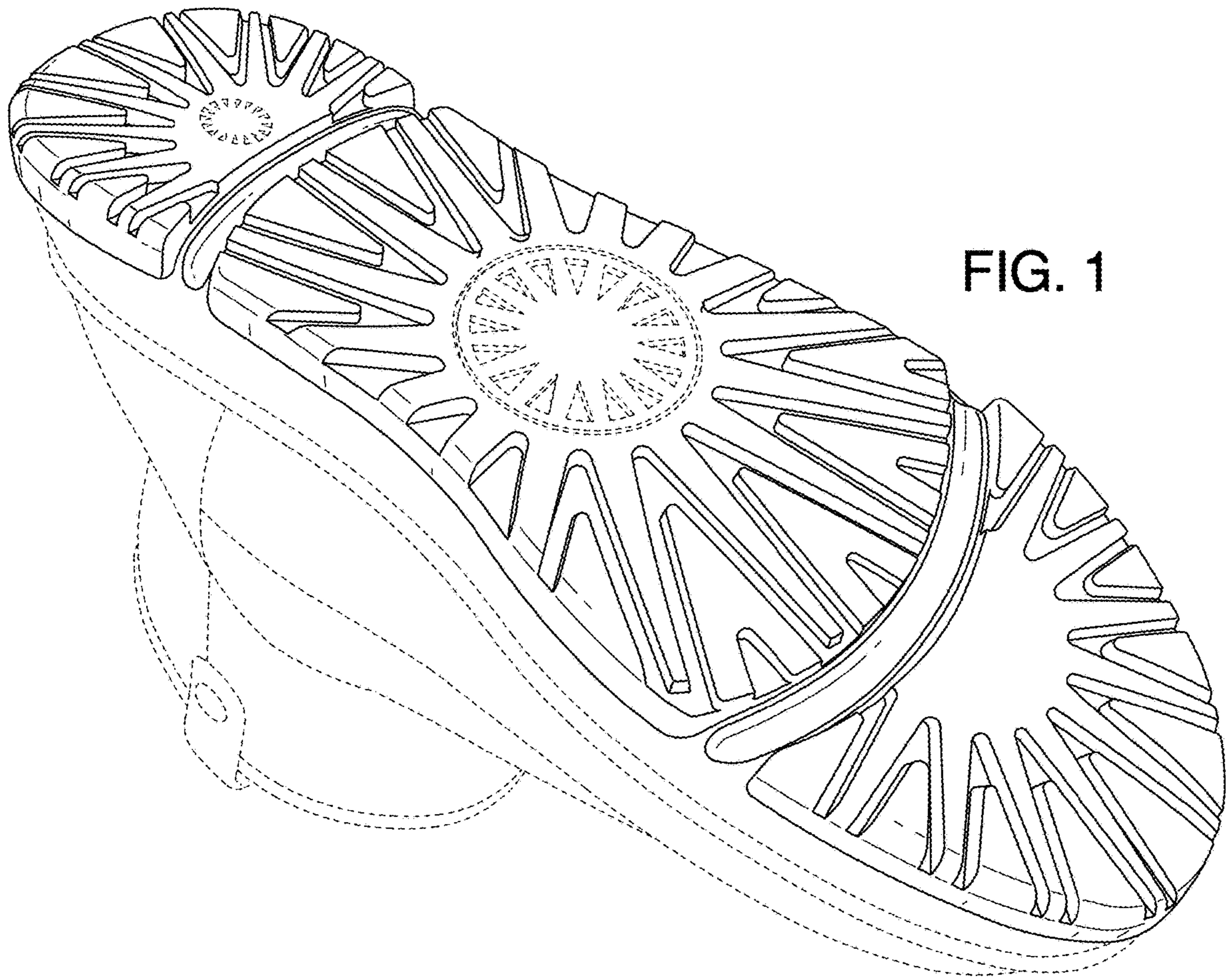


FIG. 1

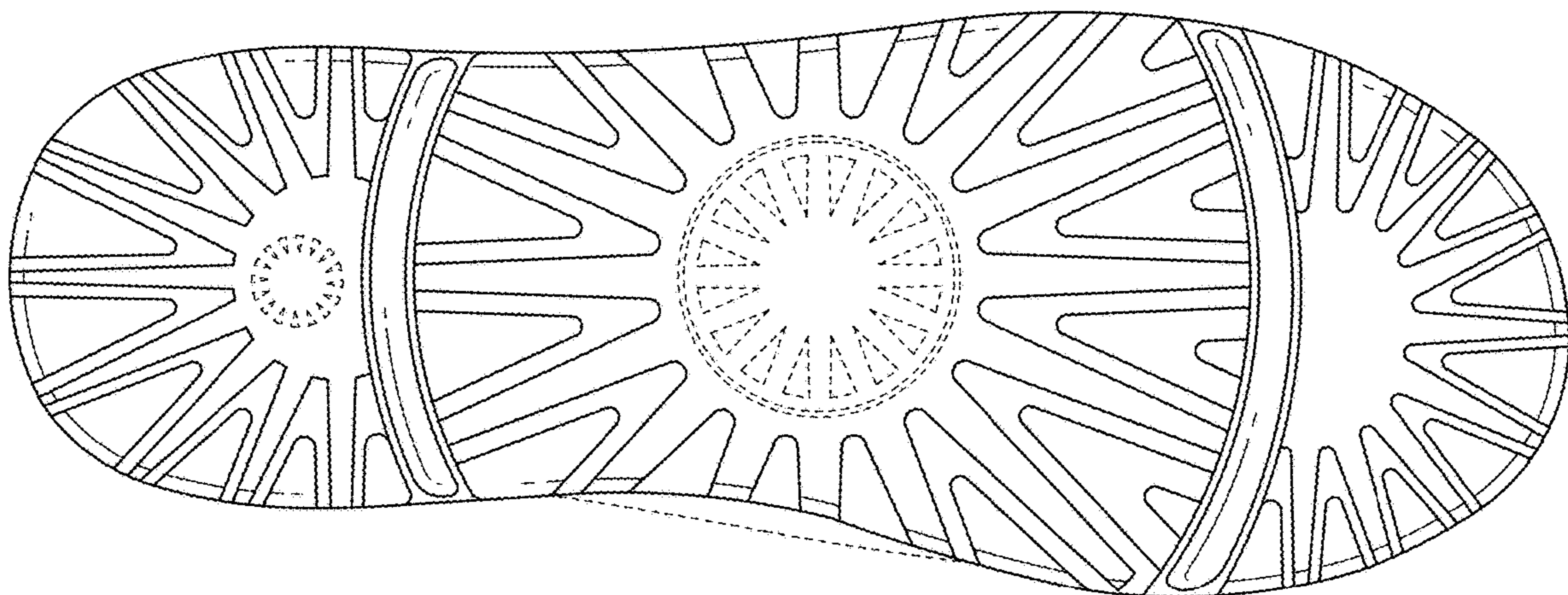


FIG. 2

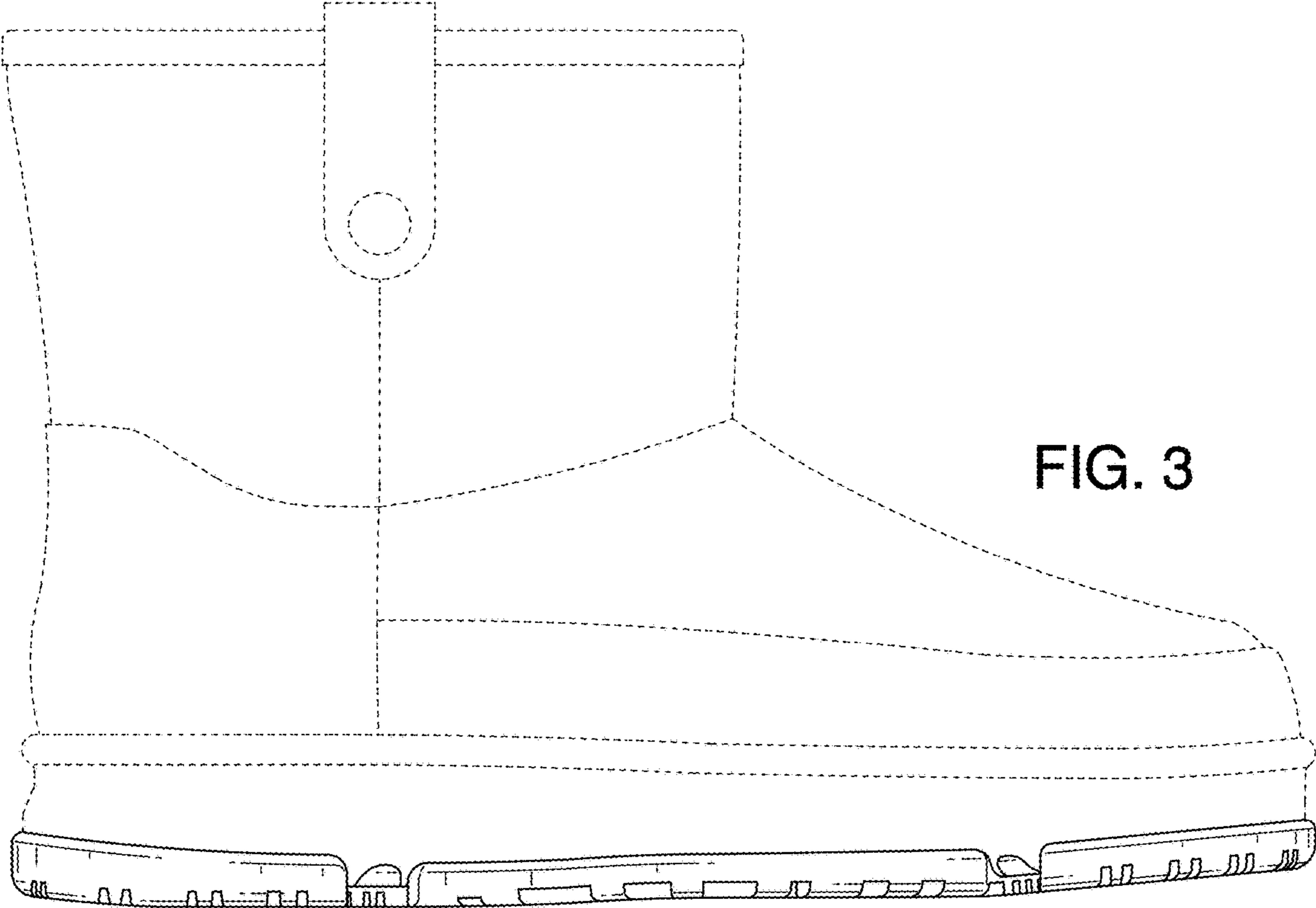


FIG. 3

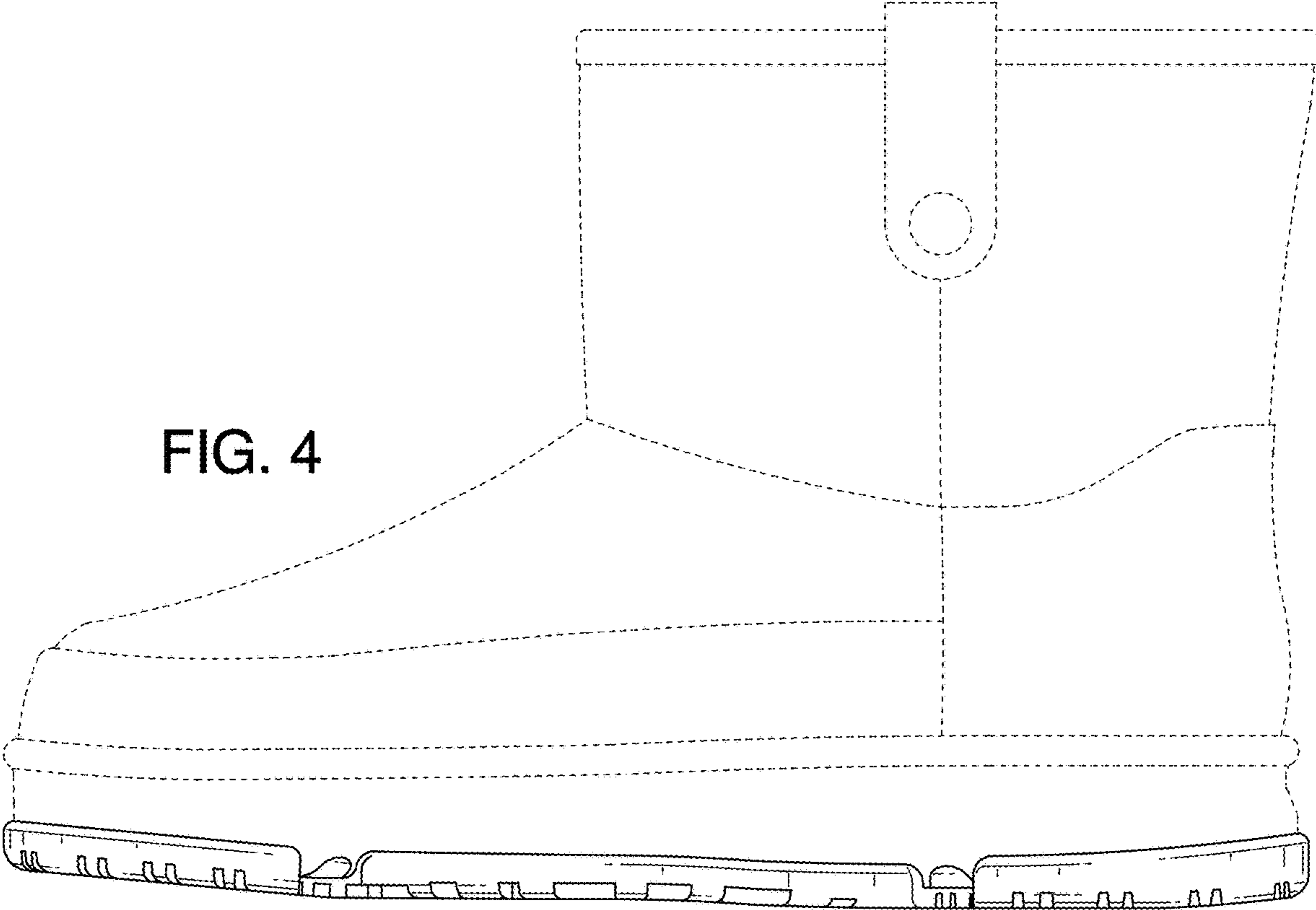


FIG. 4

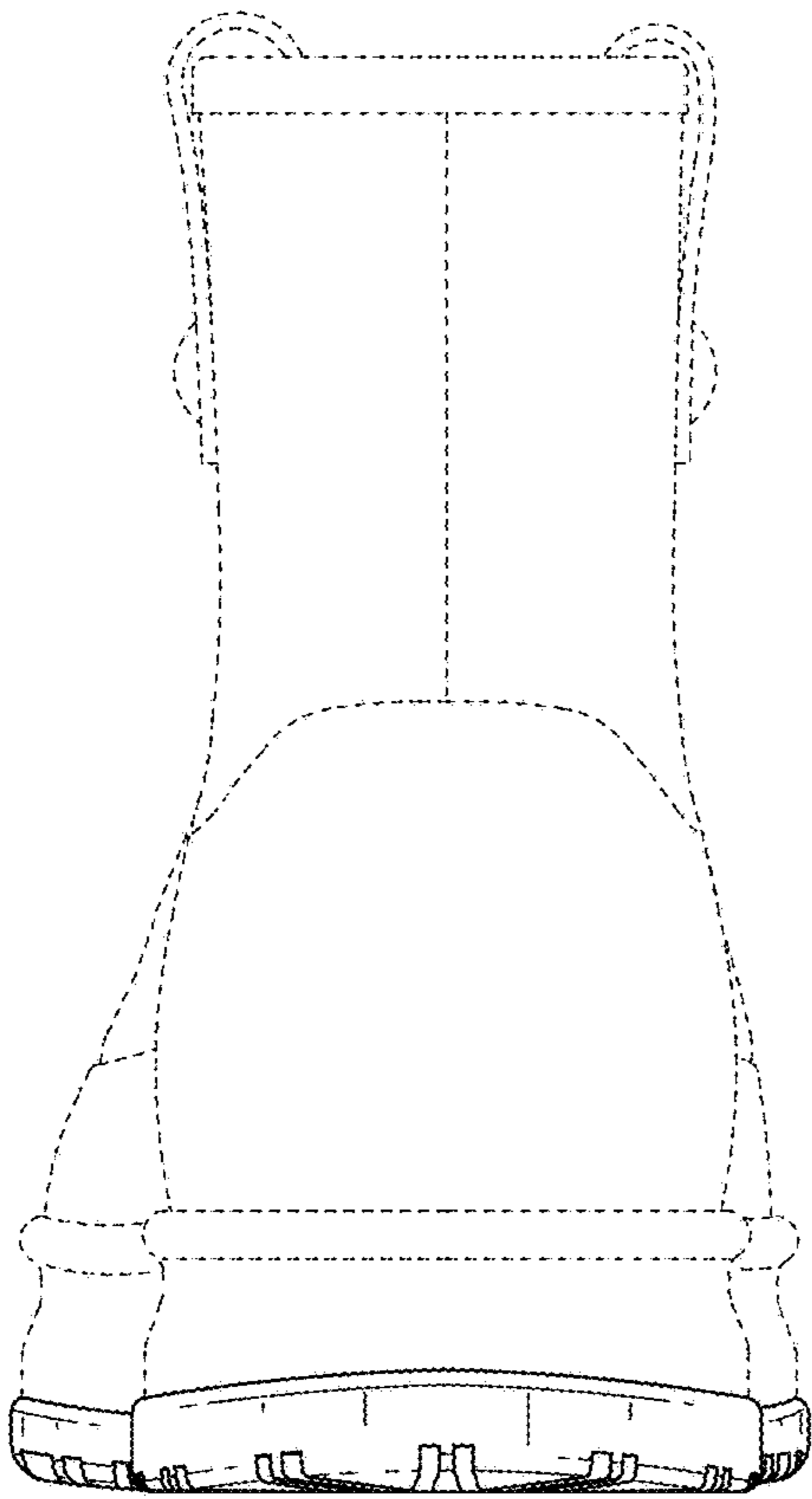


FIG. 5

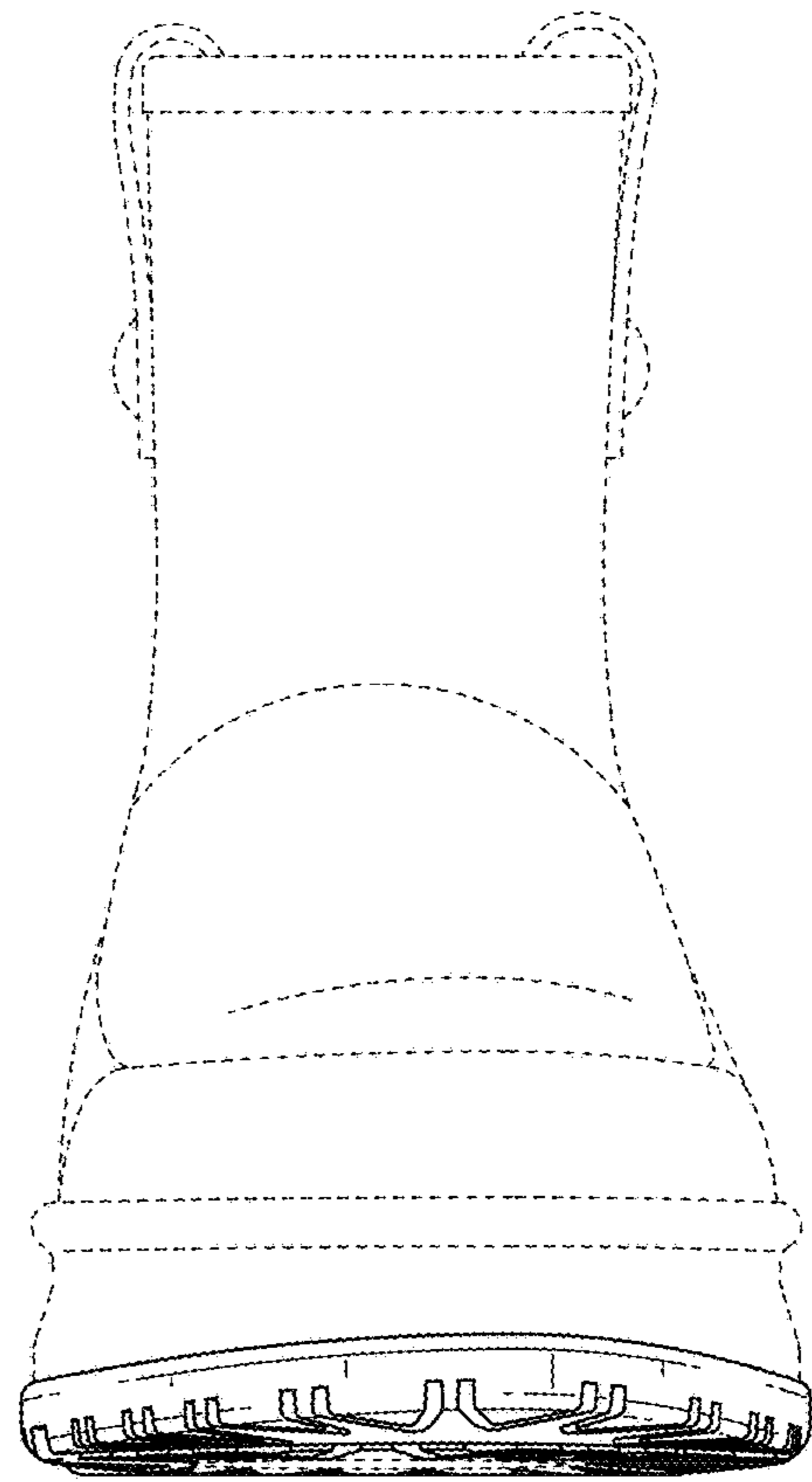


FIG. 6

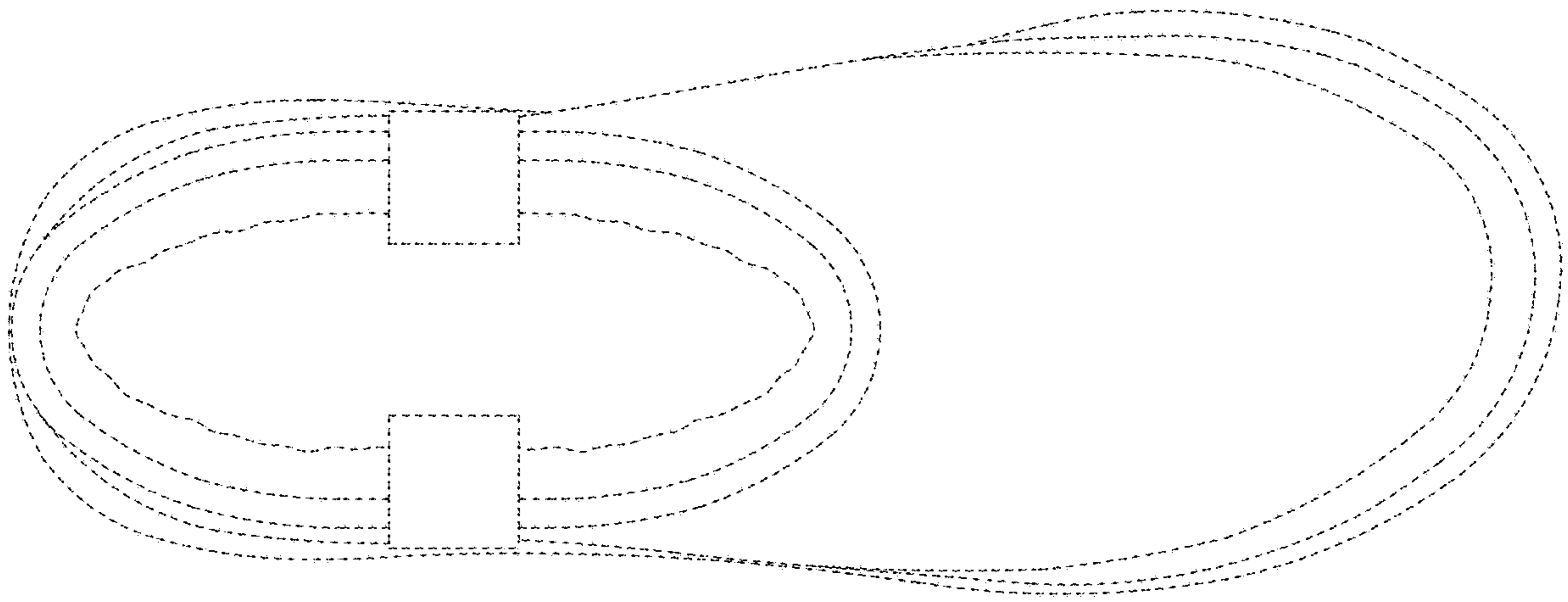


FIG. 7