



US00D910286S

(12) **United States Design Patent** (10) **Patent No.:** **US D910,286 S**  
**Maritan et al.** (45) **Date of Patent:** **\*\* Feb. 16, 2021**

(54) **FOOTWEAR**  
(71) Applicant: **Crocs, Inc.**, Niwot, CO (US)  
(72) Inventors: **Andrea Paolo Maritan**, Noventa Padovana (IT); **Federico Fongher**, Villatora di Saonara (IT)  
(73) Assignee: **Crocs, Inc.**, Niwot, CO (US)  
(\*\*) Term: **15 Years**  
(21) Appl. No.: **29/679,743**  
(22) Filed: **Feb. 8, 2019**  
(51) **LOC (13) Cl.** ..... **02-04**  
(52) **U.S. Cl.**  
USPC ..... **D2/916**  
(58) **Field of Classification Search**  
USPC ..... D2/896-900, 916-926, 946, 969  
CPC ..... A43B 3/12; A43B 3/10; A43B 3/102-106  
See application file for complete search history.

D783,956 S 4/2017 Mitchell et al.  
D827,991 S \* 9/2018 Engerman ..... D2/916  
2008/0005856 A1\* 1/2008 Hung ..... B29D 35/085  
12/146 B  
2012/0096744 A1 4/2012 Goodsmith et al.  
2013/0145651 A1 6/2013 Bathum et al.  
2013/0255106 A1\* 10/2013 Cho ..... A43B 3/101  
36/101

(56) **References Cited**  
**U.S. PATENT DOCUMENTS**  
3,577,662 A 5/1971 Fukuoka  
3,596,381 A 8/1971 Fukuoka  
4,453,322 A \* 6/1984 Marsh ..... A43B 3/128  
36/11.5  
D281,735 S \* 12/1985 Seltzer ..... 36/141  
D563,089 S 3/2008 Andersen et al.  
D576,387 S 9/2008 del Biondi et al.  
D622,048 S 8/2010 Issler  
D719,323 S 12/2014 Santos  
D732,806 S \* 6/2015 Maritan ..... D2/916  
D746,557 S 1/2016 Engerman  
D759,949 S 6/2016 Schwartz  
D771,915 S 11/2016 Schwartz  
D783,955 S 4/2017 Fullerton et al.

**OTHER PUBLICATIONS**

FitFlop, "Women's Superjelly Twist Flip Flop," downloaded Jun. 2, 2020, <https://www.amazon.com/fitflop-womens-superjelly-twist-flip/dp/B06xcvxcvt> (6 pages).  
Crocs Patricia Products Download, Internet Archive Wayback Machine, Jul. 26, 2009, <http://web.archive.org/web/20090726225733/http://shop.crocs.com:80/search.aspx?searchText=patricia>, printed Mar. 5, 2018 (1 page).

(Continued)

*Primary Examiner* — Rashida C. Walshon  
(74) *Attorney, Agent, or Firm* — Wilmer Cutler Pickering Hale and Dorr LLP

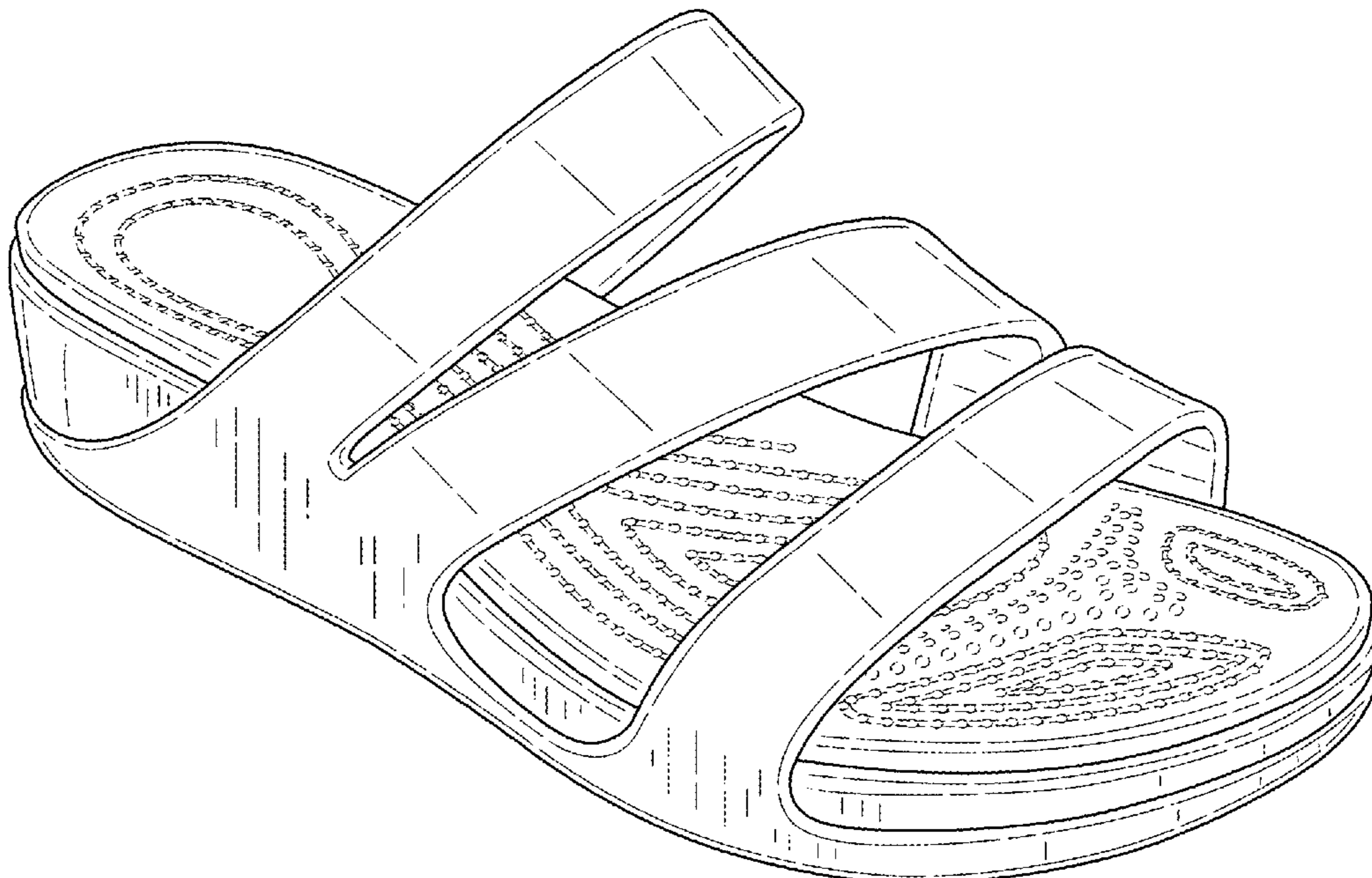
(57) **CLAIM**

The ornamental design for footwear, as shown and described.

**DESCRIPTION**

FIG. 1 is a front perspective view of footwear;  
FIG. 2 is a front view thereof;  
FIG. 3 is a back view thereof;  
FIG. 4 is an outer side elevational view thereof;  
FIG. 5 is an inner side elevational view thereof;  
FIG. 6 is a top view thereof; and,  
FIG. 7 is a bottom view thereof.  
The portions shown in dashed lines form no part of the claimed design.

**1 Claim, 7 Drawing Sheets**



(56)

**References Cited**

## OTHER PUBLICATIONS

Crocs Patricia Products Download, Internet Archive Wayback Machine, Feb. 28, 2009, <http://web.archive.org/web/20090228142108/http://www.crocs.com:80/products/new>, printed Mar. 5, 2018 (1 page).

Crocs Patricia Products Download, Internet Archive Wayback Machine, Feb. 28, 2009, <http://web.archive.org/web/20090228023946/http://crocs.com:80/>, printed Mar. 5, 2018 (1 page).

Crocs Patricia Products Download, Internet Archive Wayback Machine, Feb. 16, 2009, <http://web.archive.org/web/20090216223840/http://www.crocs.com/>, printed Mar. 5, 2018 (1 page).

Crocs Patricia Products Download, Internet Archive Wayback Machine, Jan. 26, 2011, <http://web.archive.org/web/20110126034747/http://www.crocs.com/womens-footwear-sandals/women-footwear-sandals.default.sc.html>, printed Mar. 5, 2018 (1 page).

Complaint and Jury Demand, *U.S.A. Dawgs, Inc. vs. Crocs, Inc. et al.*, (United States District Court, District of Nevada, 2:17-cv-02054, dated Jul. 27, 2017) (23 pages).

Defendants' Motion to Dismiss, *U.S.A. Dawgs, Inc. vs. Crocs, Inc. et al.*, (United States District Court, District of Nevada, 2:17-cv-02054-JCM-NJK, dated Aug. 21, 2017) (47 pages).

Defendants' Motion for Sanctions, *U.S.A. Dawgs, Inc. vs. Crocs, Inc. et al.*, (United States District Court, District of Nevada, 2:17-cv-02054-JCM-NJK, dated Sep. 6, 2017) (77 pages).

Patricia, posted at crocs.com, earliest date reviewed Sep. 30, 2010, [online], acquired on Jun. 7, 2017. Available from Internet, <URL: <http://www.crocs.com/p/crocs-patricia/10386.html?cgid=women-footwear&cid=060#&origin=category&srule=CatPosition-SearchPlacement-Revenue7day%2FSKUCoverage&start=11&sz=36&prefn1=VariationSize&prefv1=&prefn2=ref> (1 page).

\* cited by examiner

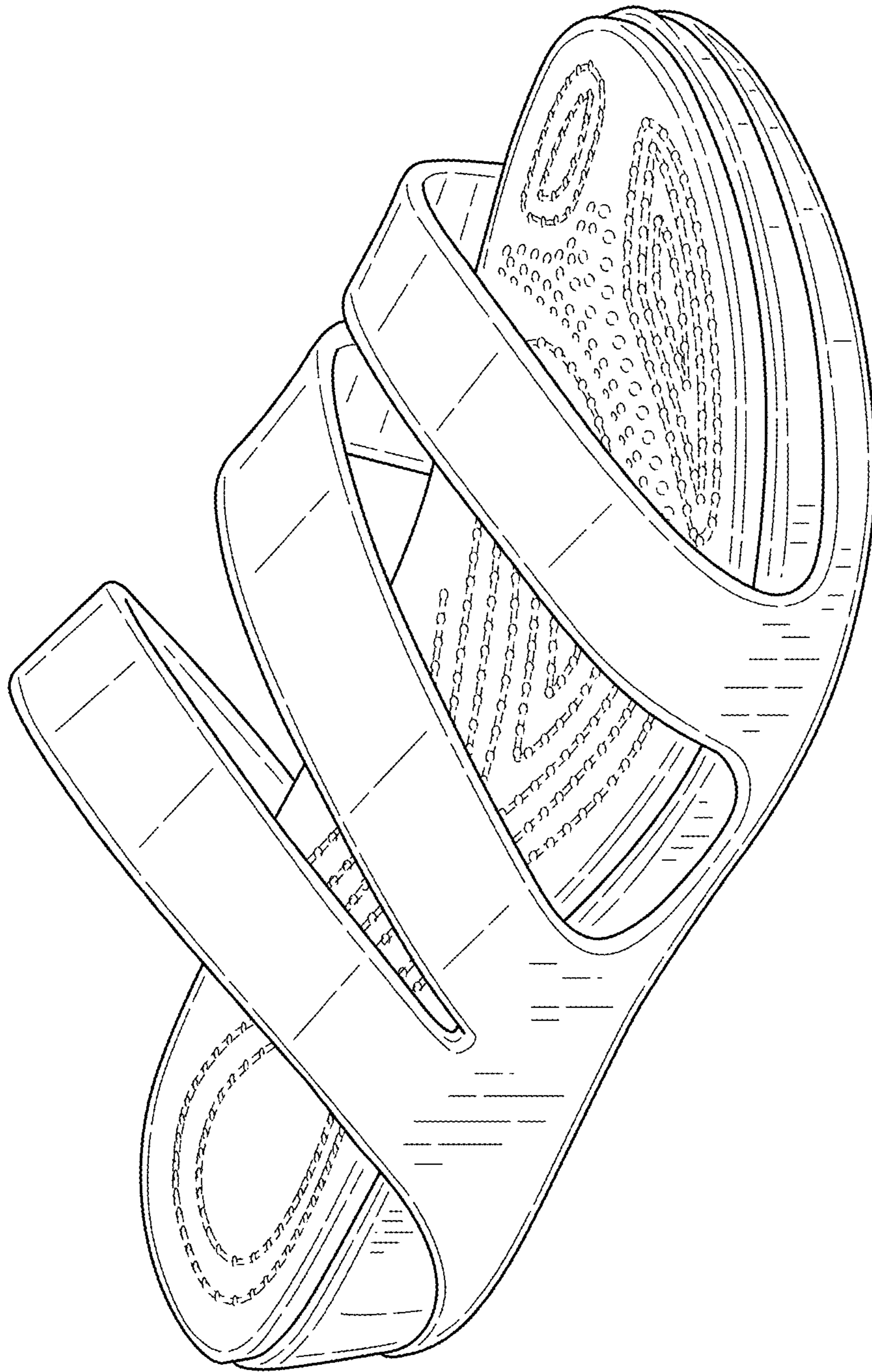


FIG. 1

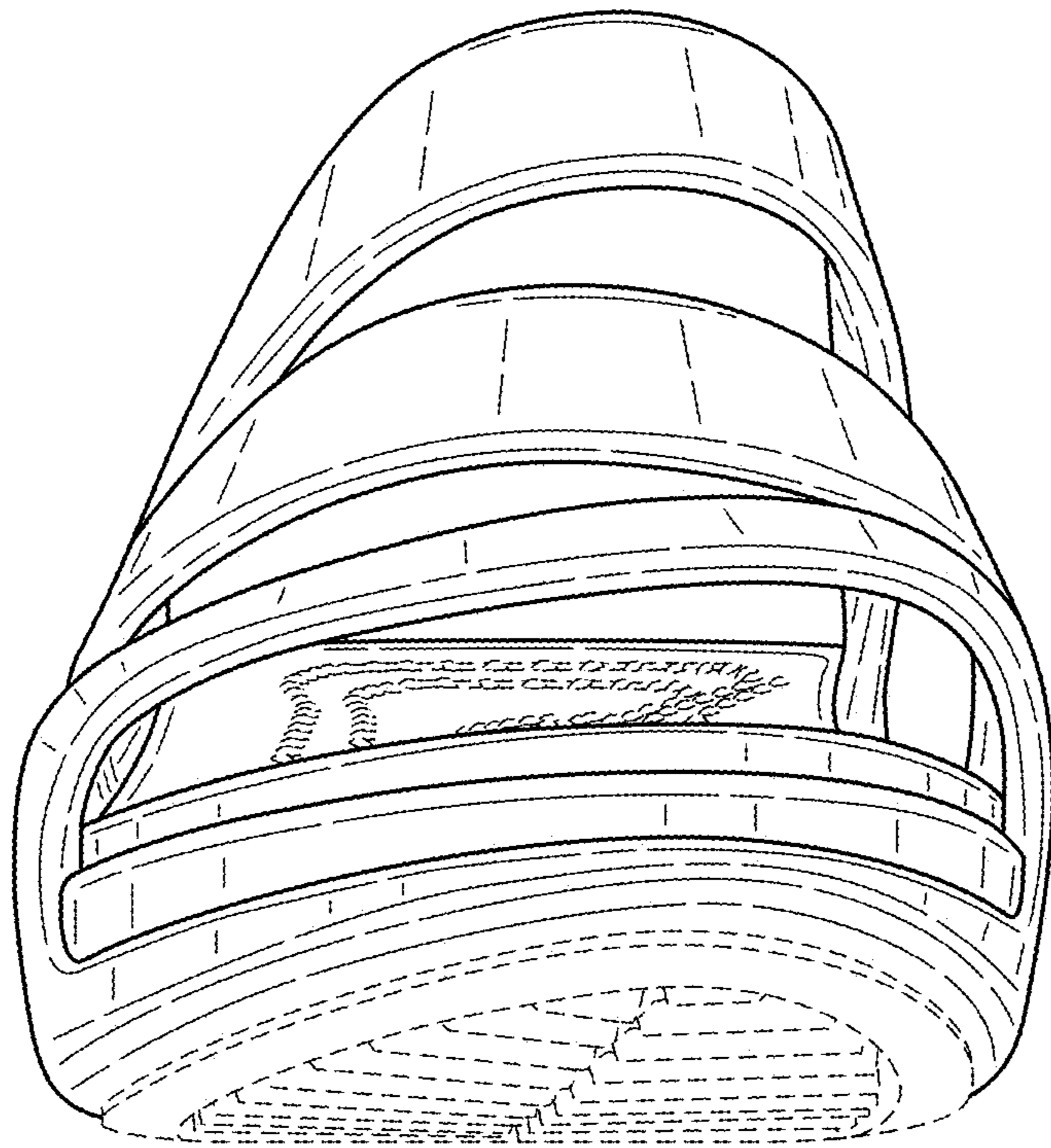


FIG.2

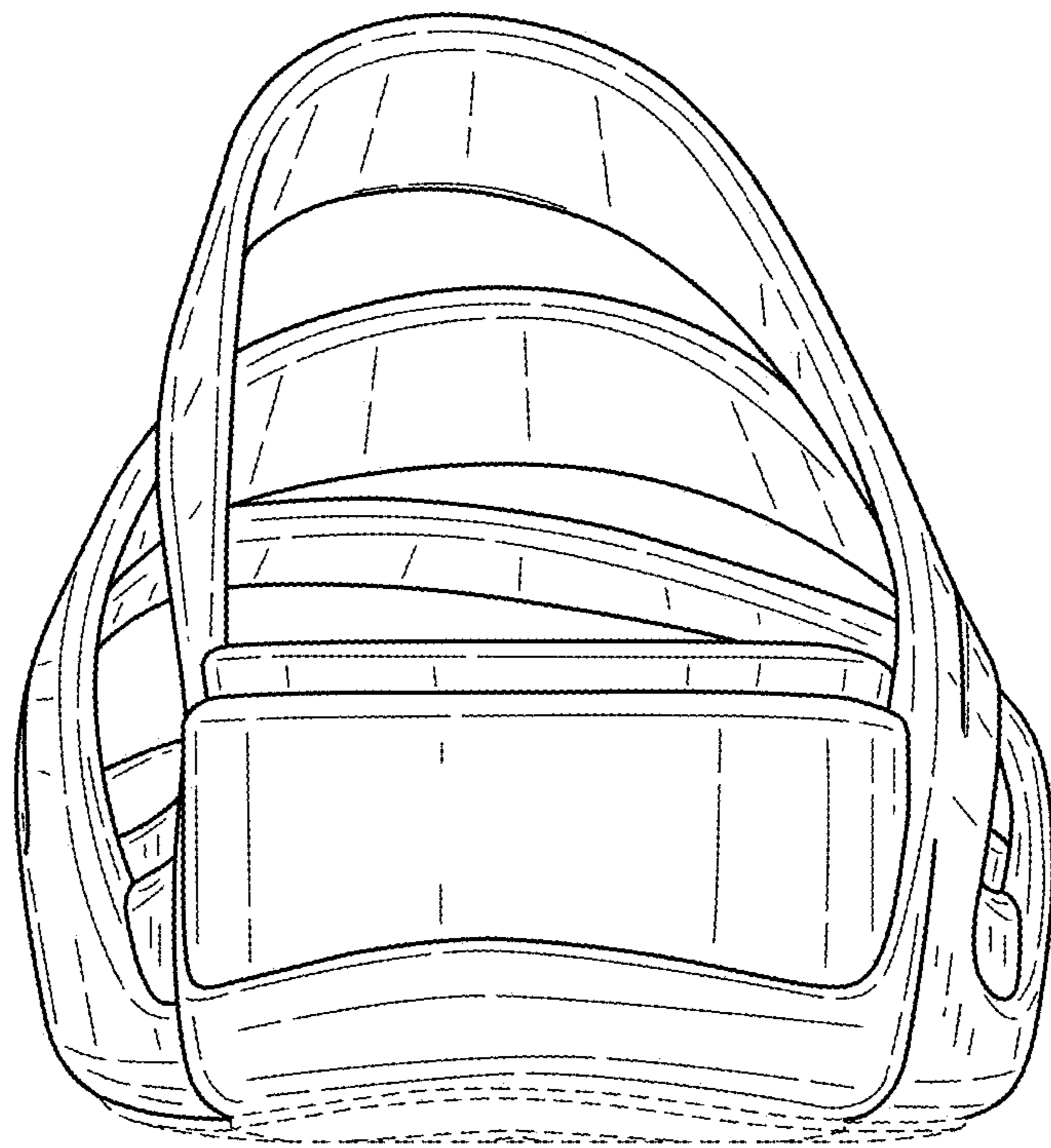


FIG.3

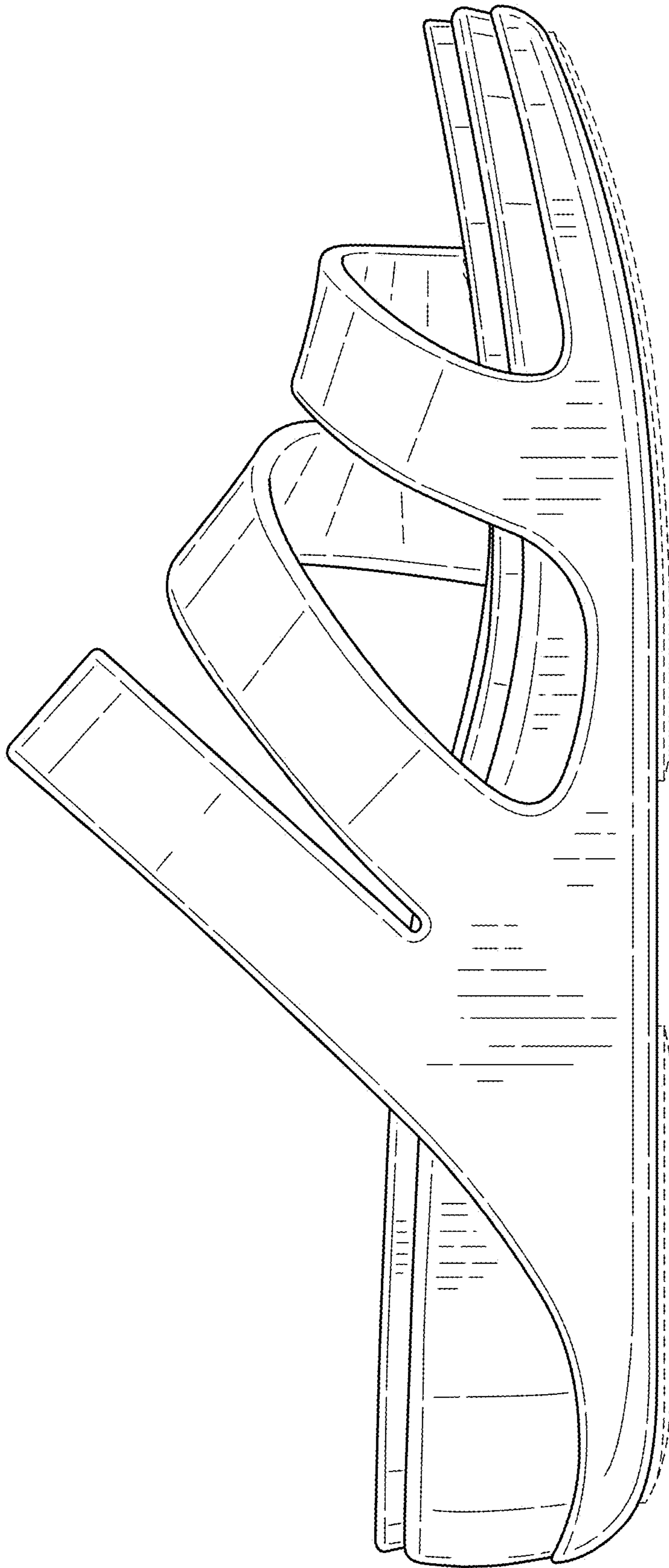


FIG.4

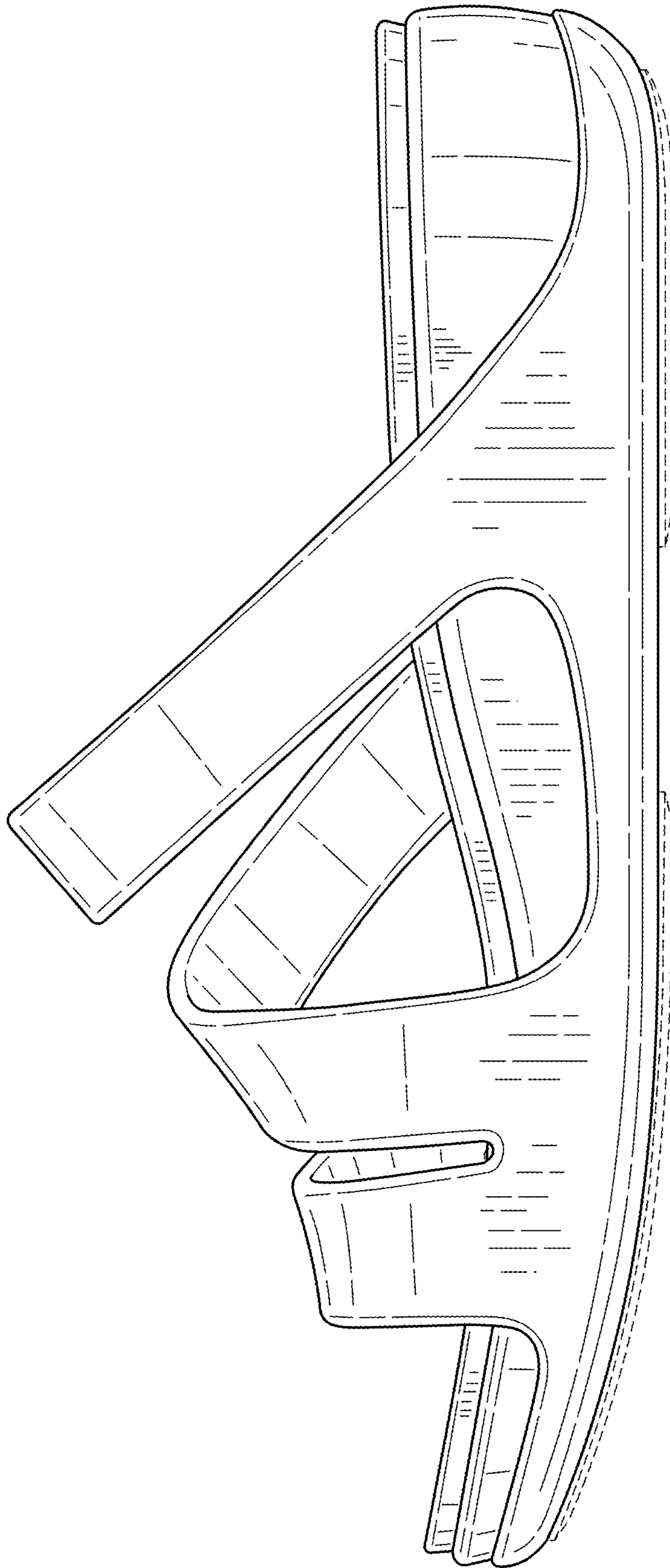


FIG.5

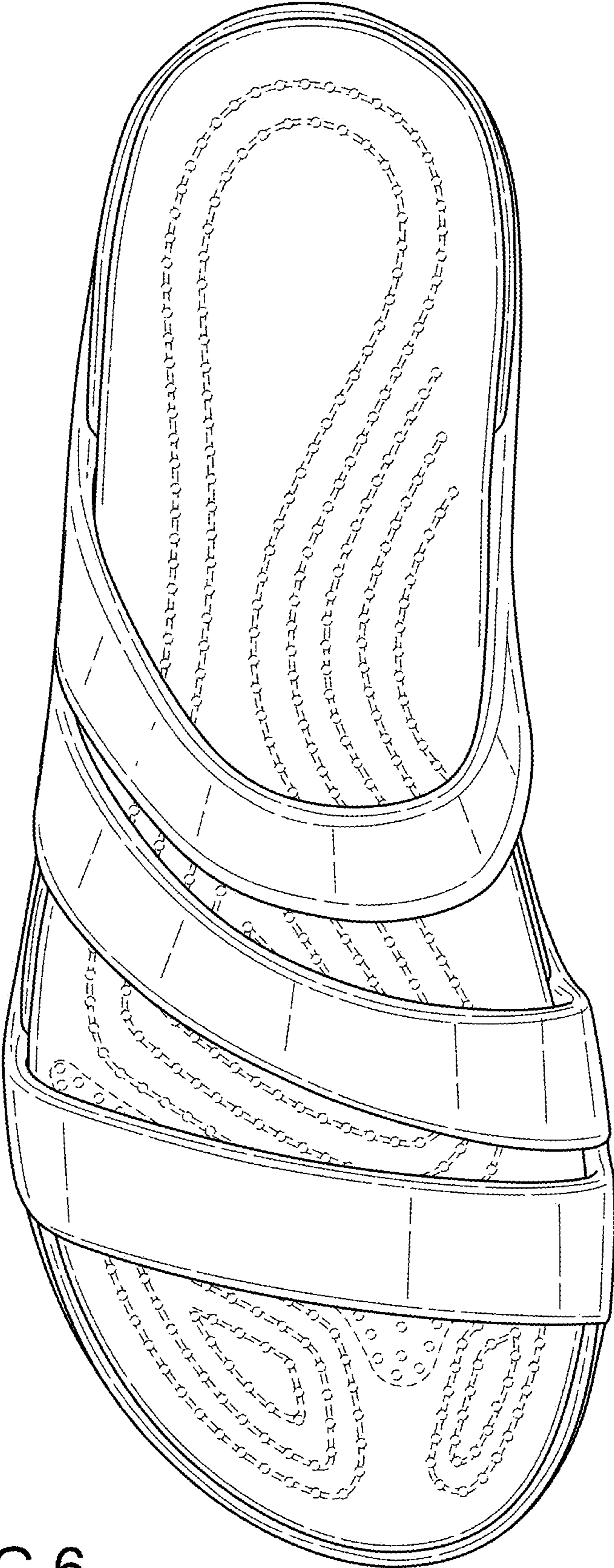


FIG.6



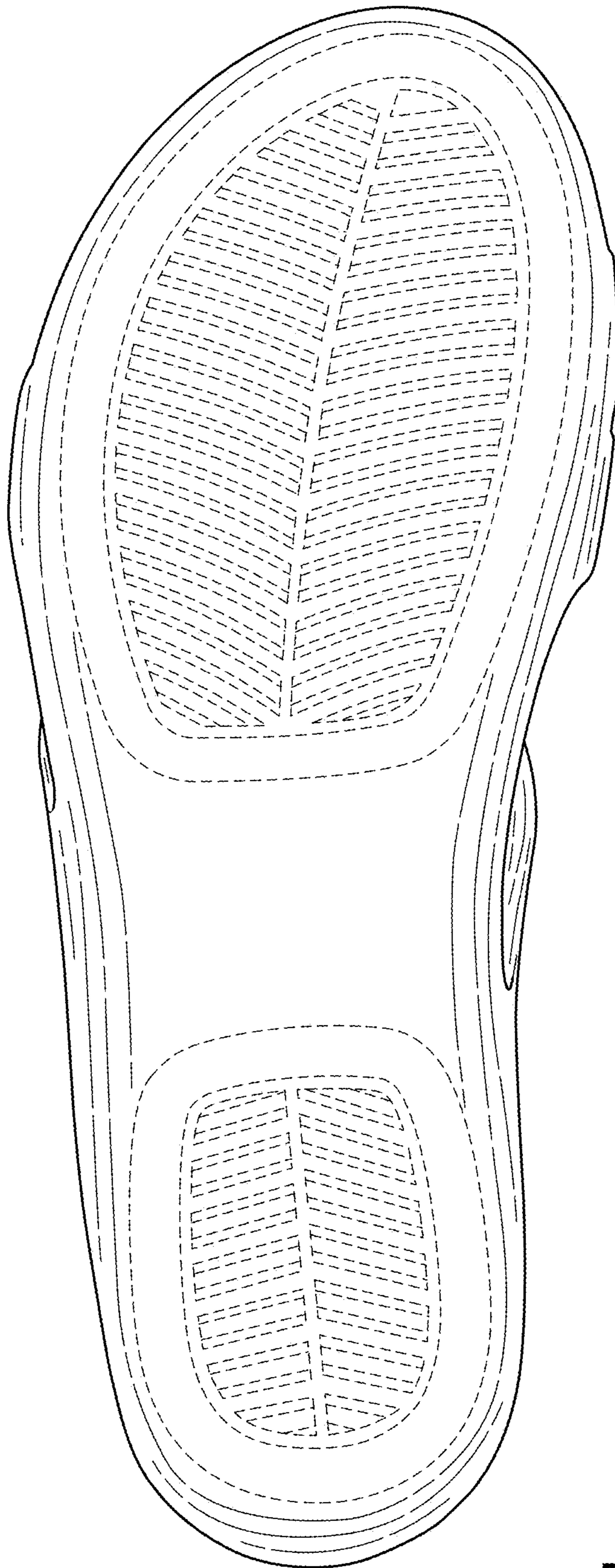


FIG.7