



US00D910285S

(12) **United States Design Patent**
Fongher et al.

(10) **Patent No.:** **US D910,285 S**
(45) **Date of Patent:** **** Feb. 16, 2021**

(54) **FOOTWEAR**

- (71) Applicant: **Crocs, Inc.**, Niwot, CO (US)
- (72) Inventors: **Federico Fongher**, Villatora di Saonara (IT); **Stefano Del Biondi**, Noventa Padovana (IT); **Alexander Jacob Mayhew**, Denver, CO (US); **Brian McConahy**, Longmont, CO (US)
- (73) Assignee: **Crocs, Inc.**, Niwot, CO (US)

(**) Term: **15 Years**

(21) Appl. No.: **29/679,739**

(22) Filed: **Feb. 8, 2019**

(51) **LOC (13) Cl.** **02-04**

(52) **U.S. Cl.**
USPC **D2/916**

(58) **Field of Classification Search**
USPC D2/896-900, 916-926, 946, 969
CPC A43B 3/12; A43B 1/10; A43B 3/10; A43B
3/102-106
See application file for complete search history.

(56) **References Cited**

U.S. PATENT DOCUMENTS

D275,145 S *	8/1984	Glatz	D2/916
D495,474 S *	9/2004	Dal Magro	D2/916
D563,082 S *	3/2008	Seamans	D2/916
D576,390 S *	9/2008	del Biondi	D2/916
D731,157 S *	6/2015	Fongher	D2/916
D737,034 S *	8/2015	Lok	D2/916
D768,362 S *	10/2016	Budke	D2/916
D815,811 S *	4/2018	Buck	D2/916
D843,090 S *	3/2019	Fongher	D2/916

FOREIGN PATENT DOCUMENTS

TW	D144859	1/2012
TW	D159414	3/2014
TW	D162425	8/2014
TW	D186117	10/2017

OTHER PUBLICATIONS

Notice of Allowance and Search Report dated Feb. 24, 2020 received in related Taiwanese Patent Application No. 108304745 filed Aug. 8, 2019 (5 pages).
Crocs Unisex Classic II Slide Sandals downloaded Sep. 23, 2020, https://poshmark.com/listing/Crocs-Unisex-Classic-II-Slide-Sandals-5ee3dbdf6e2846482c647ea1?l_con=NWT%2FNEW&utm_source=bdm&campaign_id=37353963_0&utm_campaign=373539630&ad_partner=bing&msslkid=9cb822701efb11672ffe7d1bd283f139 (1 page).
Opposition filed by EVACOL S.A.S dated Oct. 9, 2019 to the registration of the Industrial Design titled: "Calzado" received in related Colombian Patent Application No. NC2019/0008645 (27 pages).

* cited by examiner

Primary Examiner — Rashida C. Walshon

(74) *Attorney, Agent, or Firm* — Wilmer Cutler Pickering Hale and Dorr LLP

(57) **CLAIM**

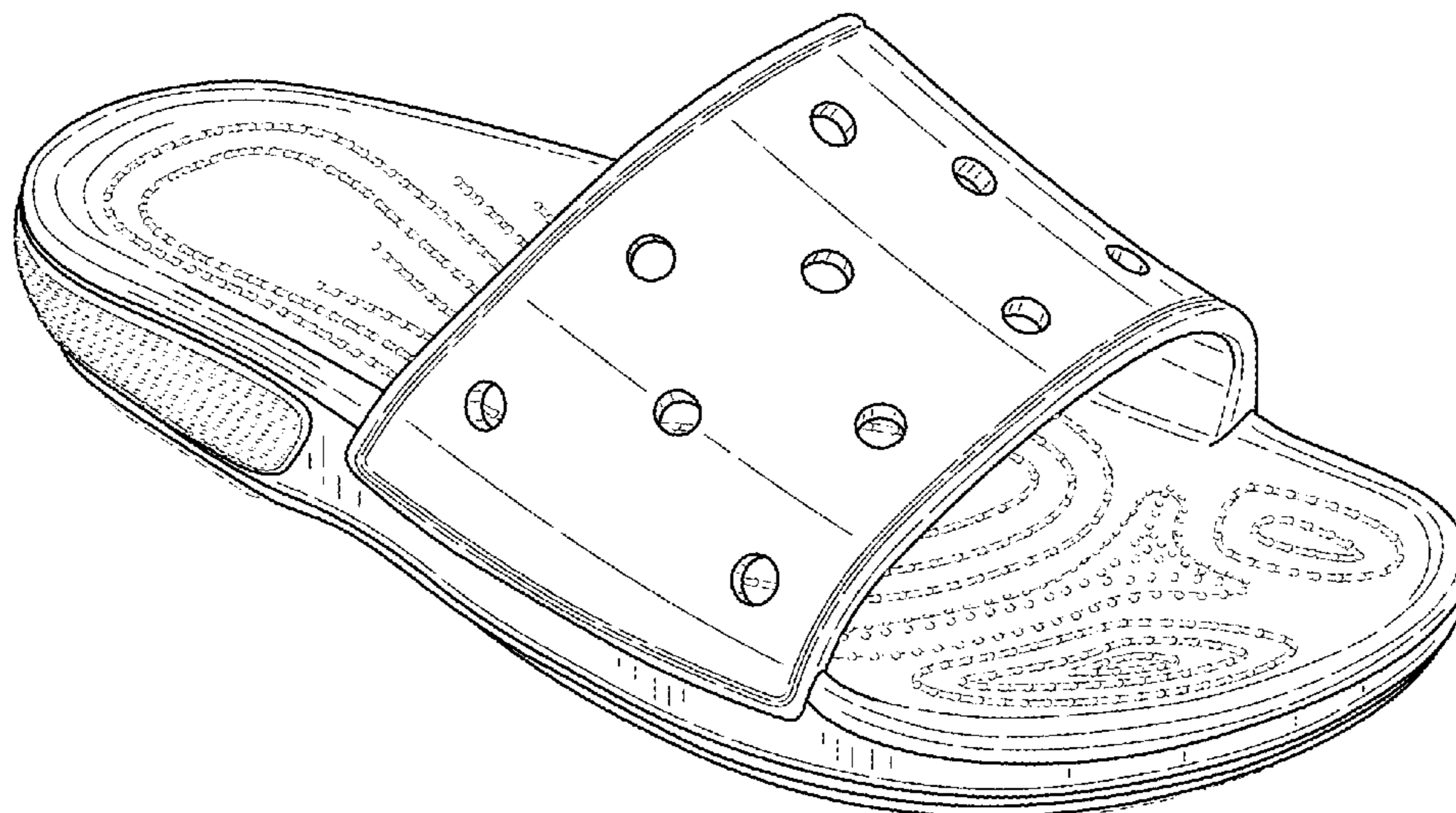
The ornamental design for footwear, as shown and described.

DESCRIPTION

FIG. 1 is a front perspective view of footwear;
FIG. 2 is a front view thereof;
FIG. 3 is a back view thereof;
FIG. 4 is an outer side elevational view thereof;
FIG. 5 is an inner side elevational view thereof;
FIG. 6 is a top view thereof; and,
FIG. 7 is a bottom view thereof.

The portions of the design shown in dashed lines form no part of the claimed design.

1 Claim, 7 Drawing Sheets



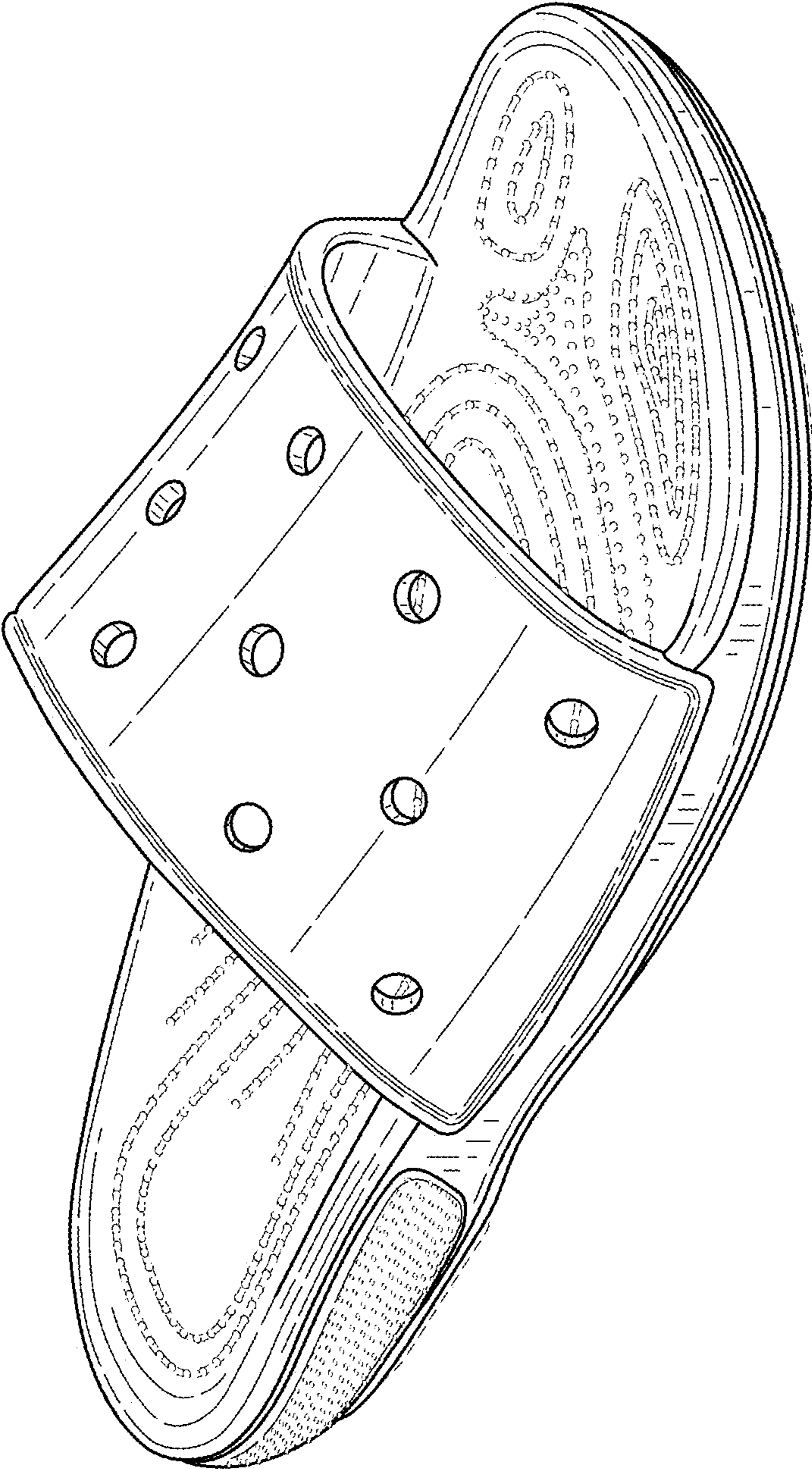


FIG.1

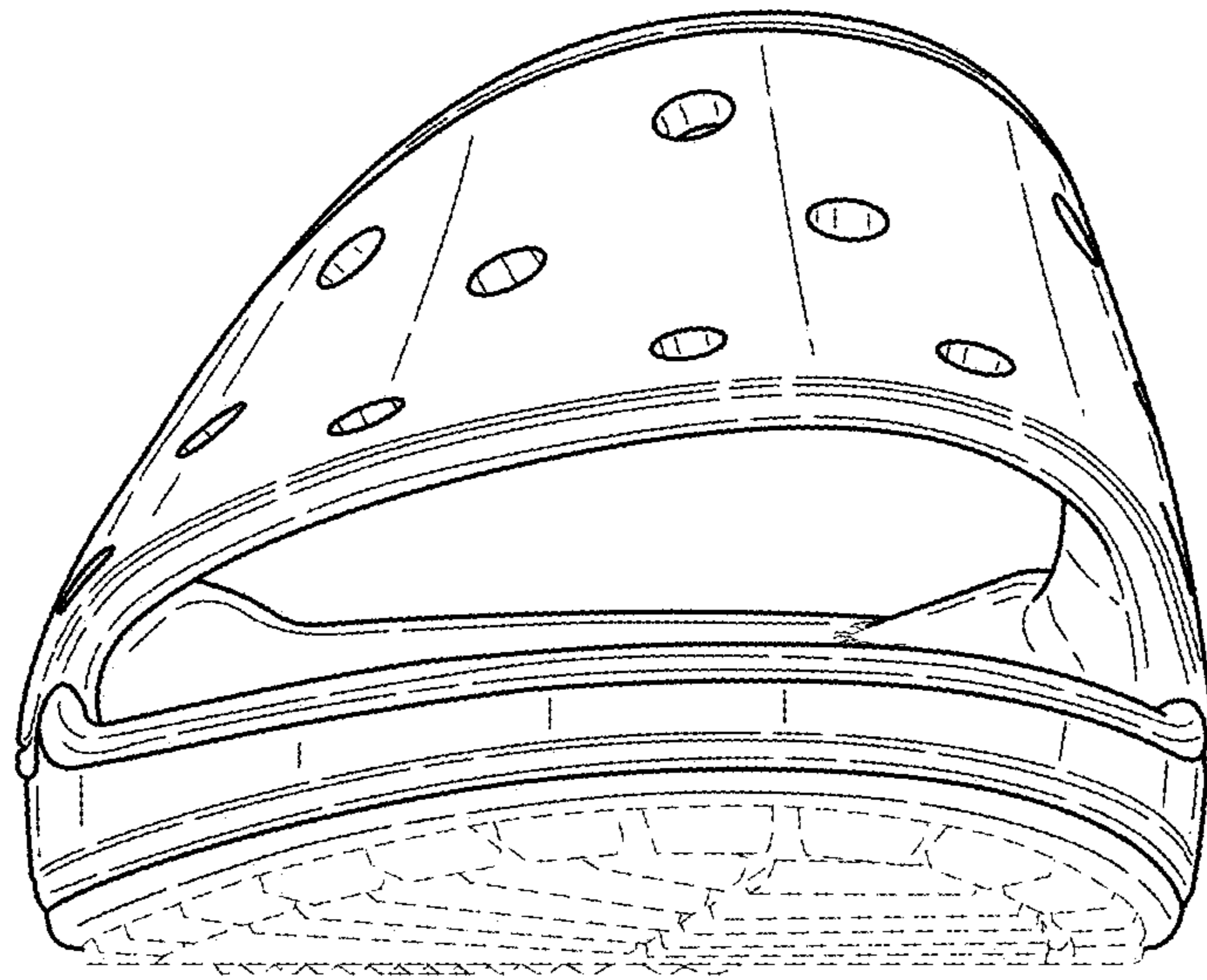


FIG.2

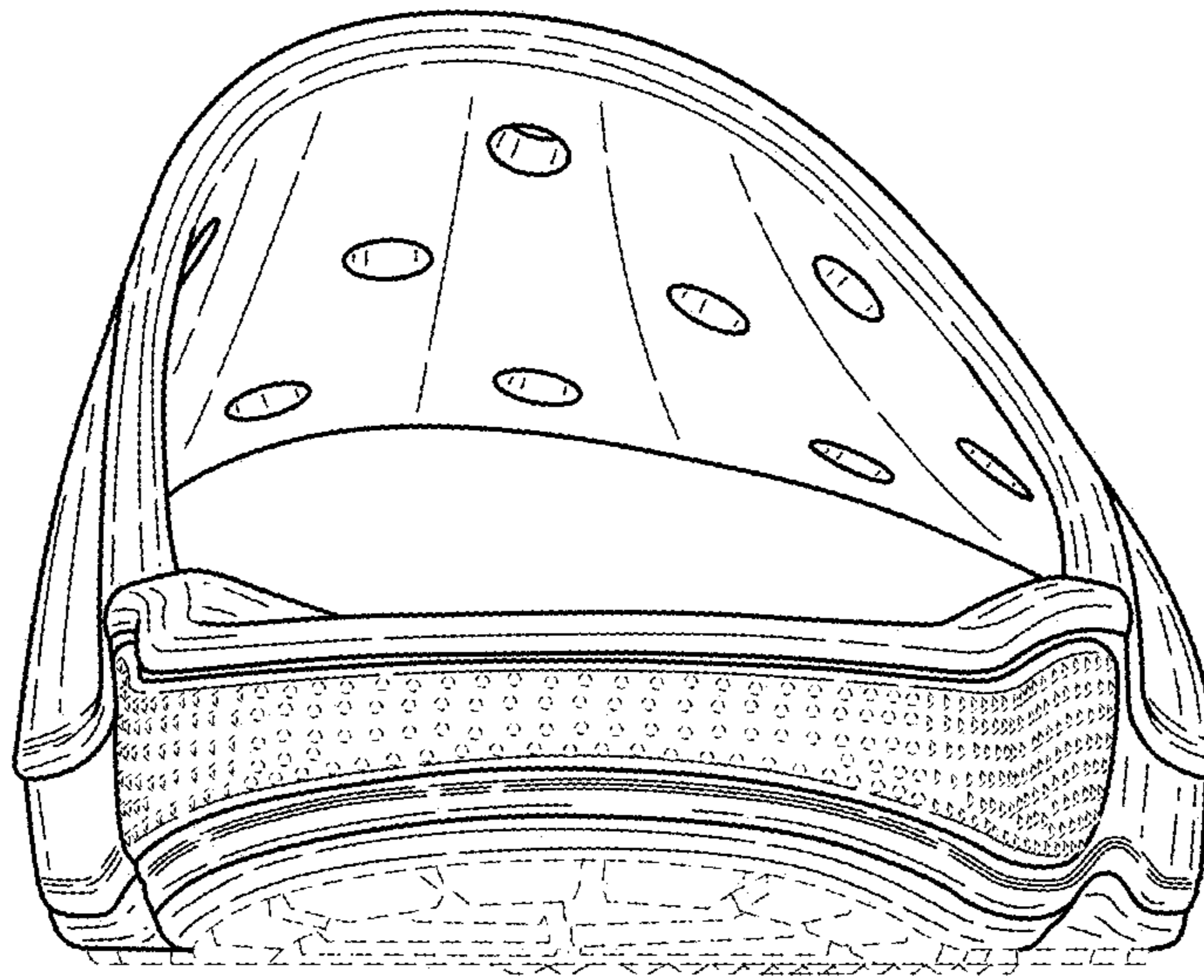


FIG.3

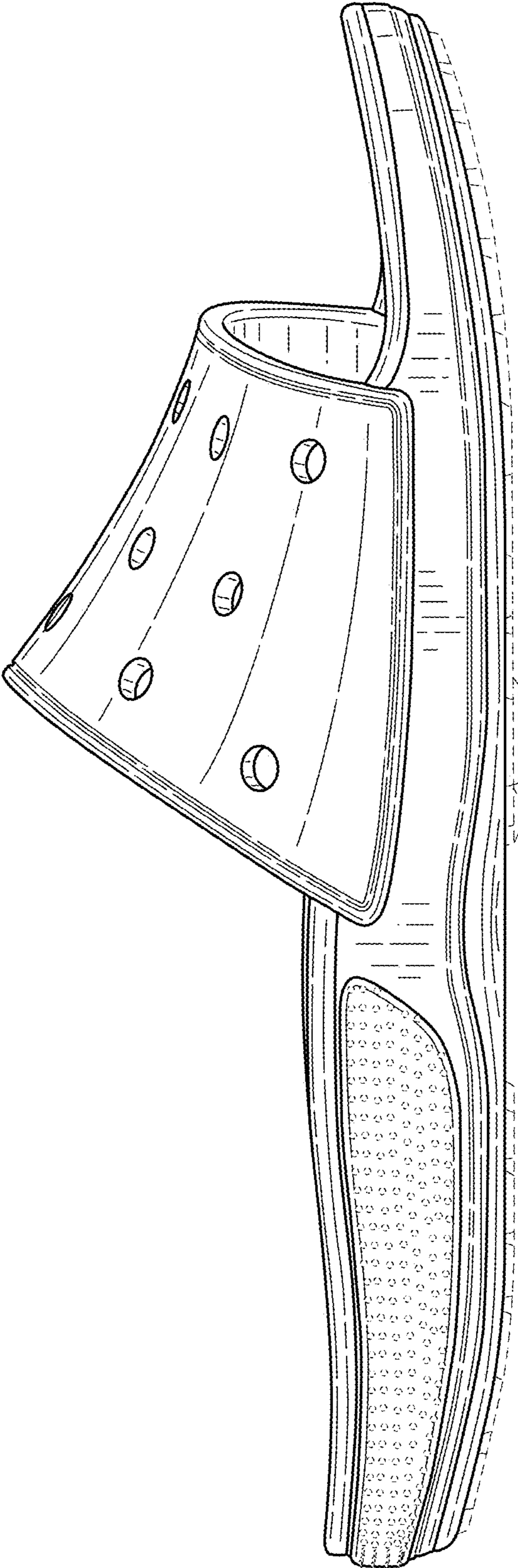


FIG.4

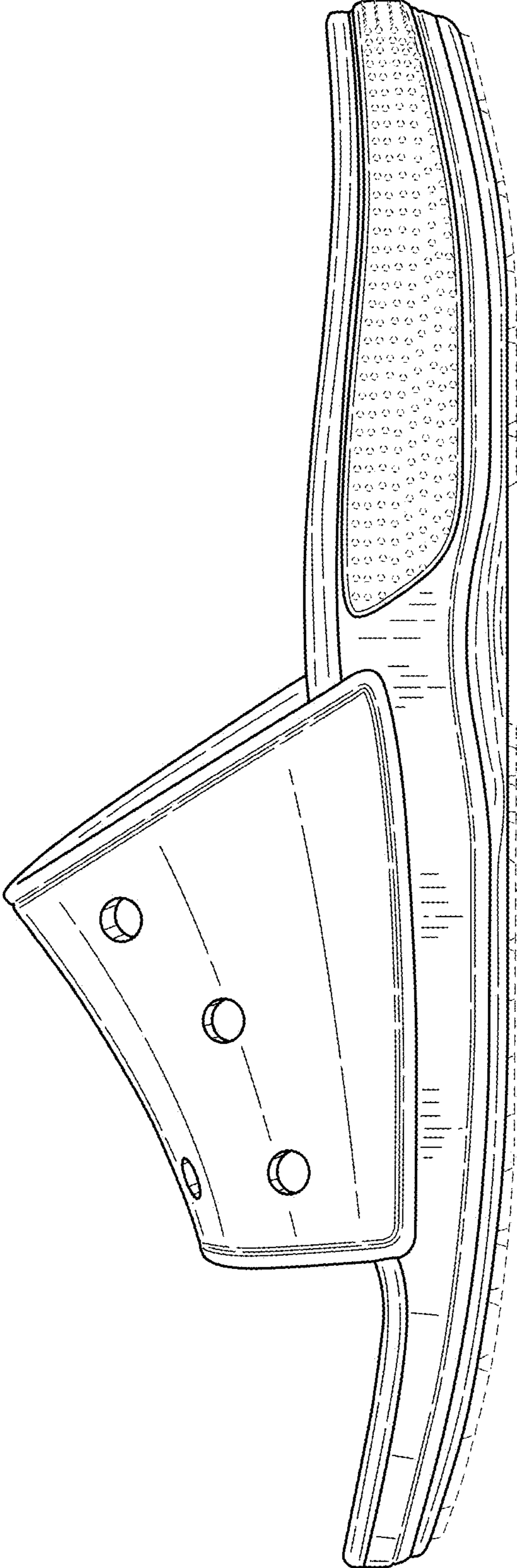


FIG.5

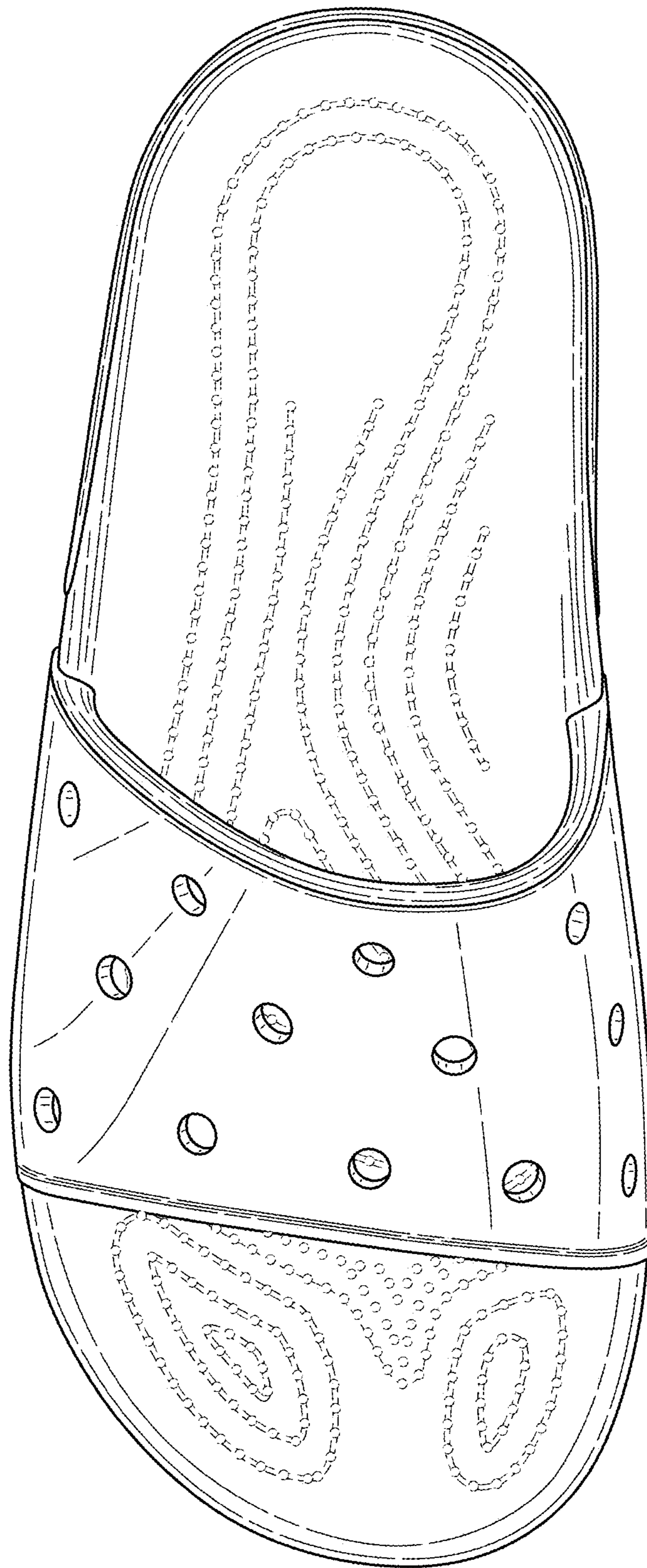


FIG.6

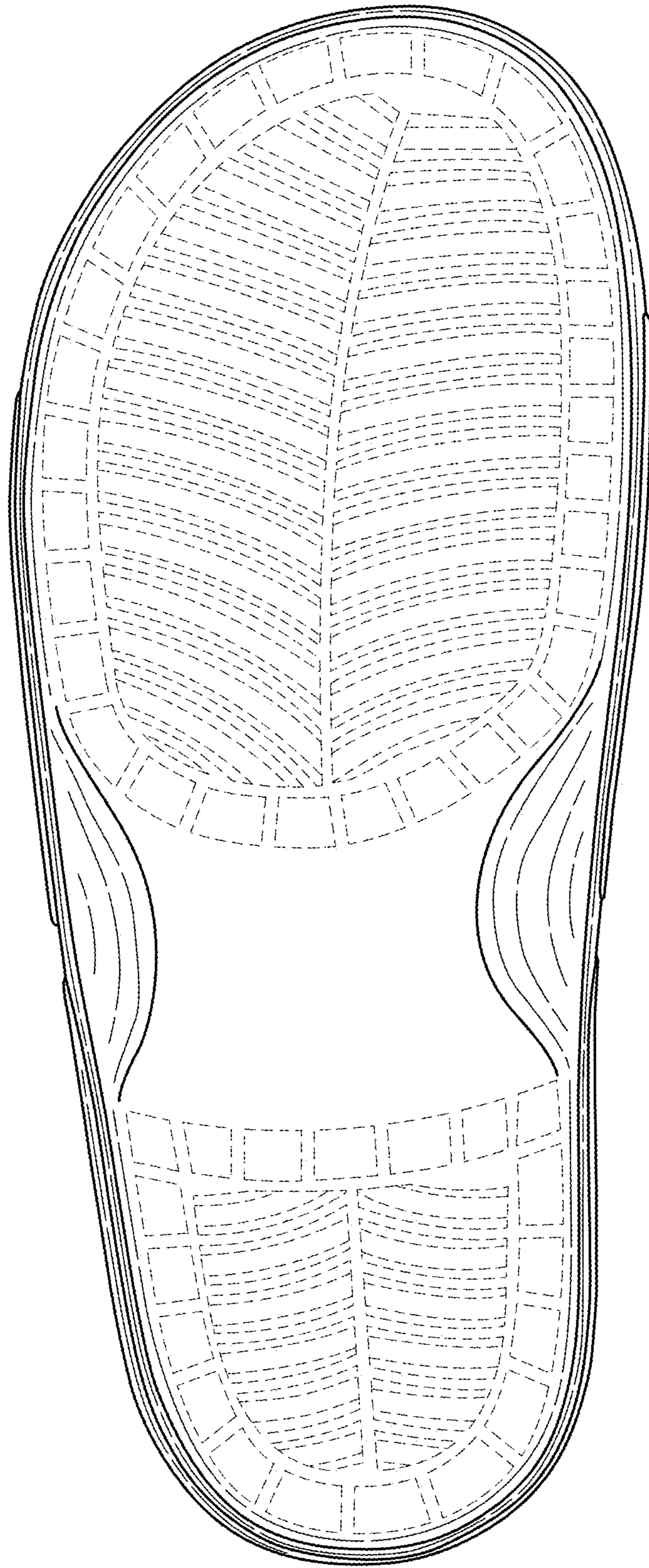


FIG.7