



US00D910283S

(12) **United States Design Patent** (10) **Patent No.:** **US D910,283 S**  
**LaHoste** (45) **Date of Patent:** **\*\* Feb. 16, 2021**

(54) **PONYTAIL AND BUN CAP**  
(71) Applicant: **Amanda LaHoste**, Arabi, LA (US)  
(72) Inventor: **Amanda LaHoste**, Arabi, LA (US)  
(\*\*) Term: **15 Years**  
(21) Appl. No.: **29/686,351**  
(22) Filed: **Apr. 3, 2019**  
(51) **LOC (13) Cl.** ..... **02-03**  
(52) **U.S. Cl.**  
USPC ..... **D2/882; D2/884**  
(58) **Field of Classification Search**  
USPC ..... D2/865, 866, 875, 876, 877, 878, 879,  
D2/880, 881, 882, 883, 884, 885, 886,  
D2/887, 888, 891, 893  
CPC ..... A42B 1/00; A42B 1/002; A42B 1/004;  
A42B 1/006; A42B 1/02; A42B 1/061;  
A42B 1/062; A42B 1/063; A42B 1/201;  
A42B 1/225; A42C 5/04  
See application file for complete search history.

2005/0108810 A1 5/2005 Yan  
2008/0201825 A1 8/2008 Chun  
2014/0130235 A1 5/2014 Johnson  
2014/0223637 A1 8/2014 Belle, Jr.  
2016/0255895 A1 9/2016 Shedd  
2019/0365006 A1\* 12/2019 Lim ..... A42B 1/225

**OTHER PUBLICATIONS**

Hatsandscarf Distressed Washed Denim Ladder Ponytail . . . [online];  
[published to the Internet on Jan. 13, 2020]; [retrieved from the  
Internet on Jun. 12, 2020]; URL: (1 page). (Year: 2020).\*  
Funky Junque Womens Baseball Cap . . . , [online]; [published to  
the Internet on Apr. 4, 2018]; [retrieved from the Internet on Jun. 12,  
2020]; URL: (1 page). (Year: 2018).\*

\* cited by examiner

*Primary Examiner* — Jasmine Mlinarcik  
(74) *Attorney, Agent, or Firm* — Kenneth L. Tolar

(57) **CLAIM**

I claim the ornamental design for a ponytail and bun cap, as  
shown and described.

(56) **References Cited**

**U.S. PATENT DOCUMENTS**

D114,449 S *	4/1939	Johnson	.....	D2/888
D136,446 S *	10/1943	Halpern	.....	D2/875
D155,965 S *	11/1949	Baum	.....	D2/885
2,925,606 A	2/1960	De Grazia		
D192,158 S *	2/1962	Dorfman	.....	D2/876
D350,221 S *	9/1994	Van Doren	.....	D2/866
5,603,121 A	2/1997	Borkovic		
D540,983 S *	4/2007	Vergona	.....	D28/40
D541,013 S *	4/2007	Kim	.....	D2/882
D546,031 S	7/2007	Pearson et al.		
D600,891 S	9/2009	Fountain		
8,631,518 B1	1/2014	Jennings		
D716,504 S *	10/2014	Skerbinc-Heller	.....	D29/122
D797,411 S *	9/2017	Shedd	.....	D2/882
D863,733 S *	10/2019	Konopka	.....	D2/882
D882,214 S *	4/2020	Yoo	.....	D2/876

**DESCRIPTION**

FIG. 1 is a front, perspective view of the ponytail and bun cap according to the present invention.  
FIG. 2 is a rear, perspective view of the ponytail and bun cap.  
FIG. 3 is a front view of the ponytail and bun cap.  
FIG. 4 is a side view of the ponytail and bun cap.  
FIG. 5 is a top, plan view of the ponytail and bun cap.  
FIG. 6 is a rear view of the ponytail and bun cap.  
FIG. 7 is a bottom, plan view of the ponytail and bun cap;  
and,  
FIG. 8 is a rear, plan view of the ponytail and bun cap,  
depicting an alternate lacing pattern.  
The broken lines depict claimed stitching.

**1 Claim, 4 Drawing Sheets**

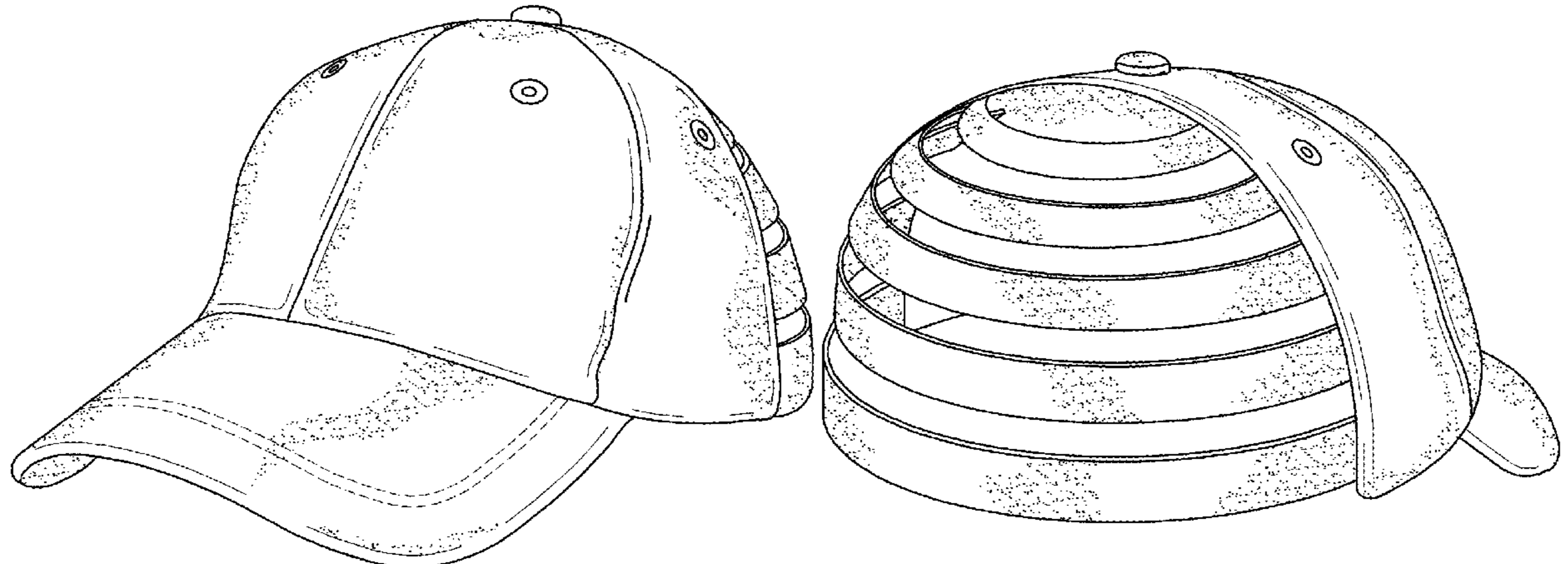




FIG. 1

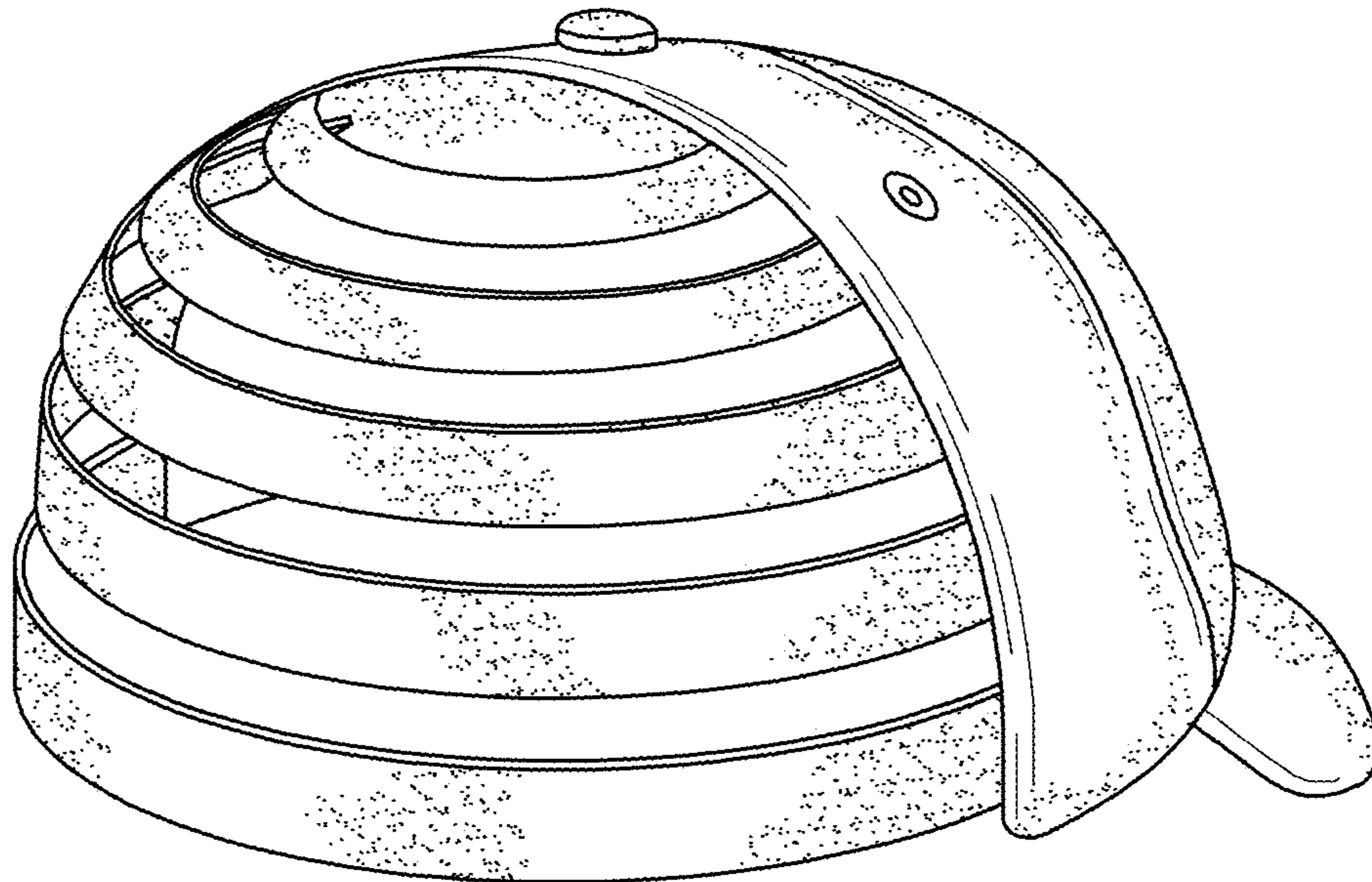


FIG. 2

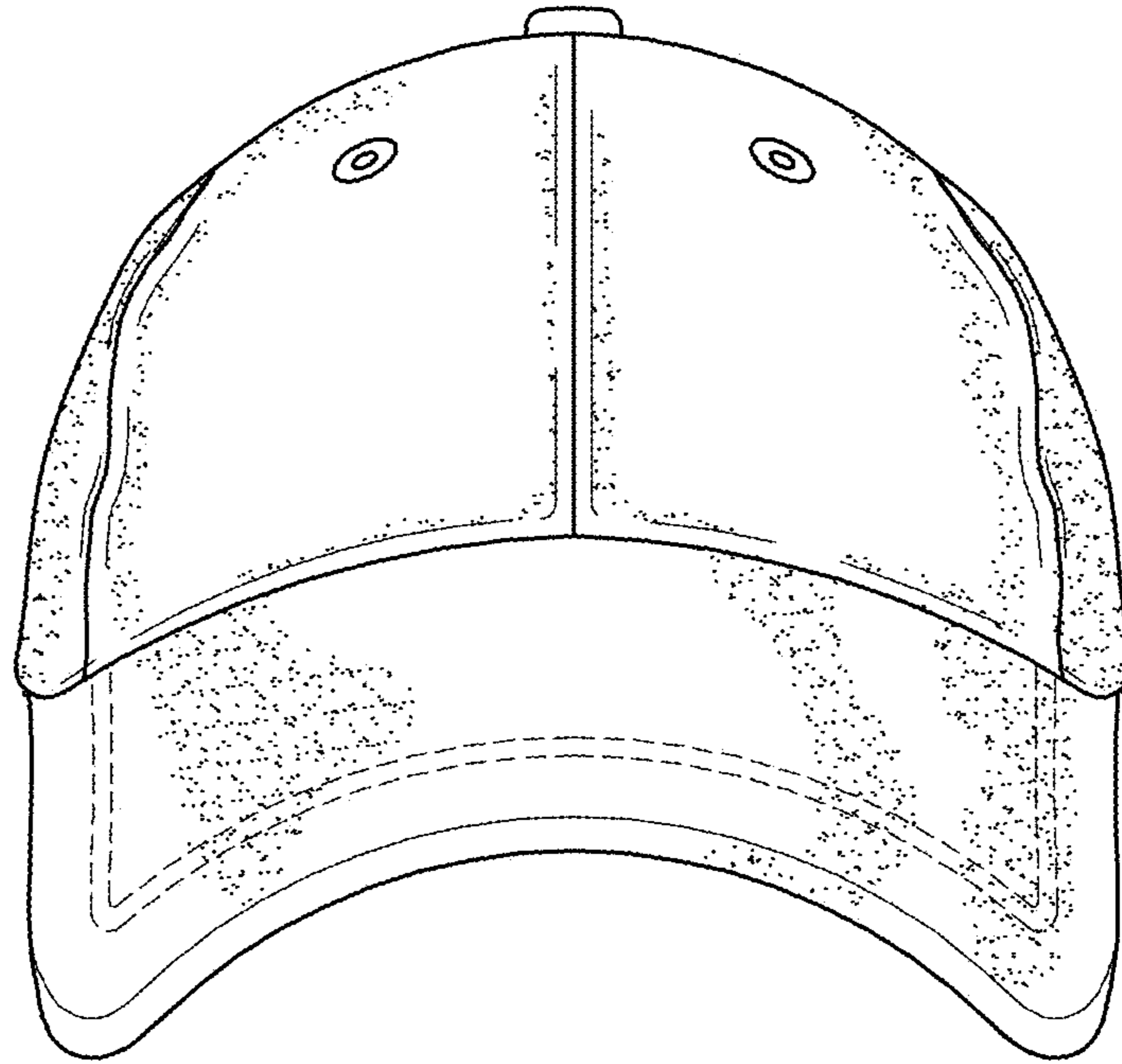


FIG. 3

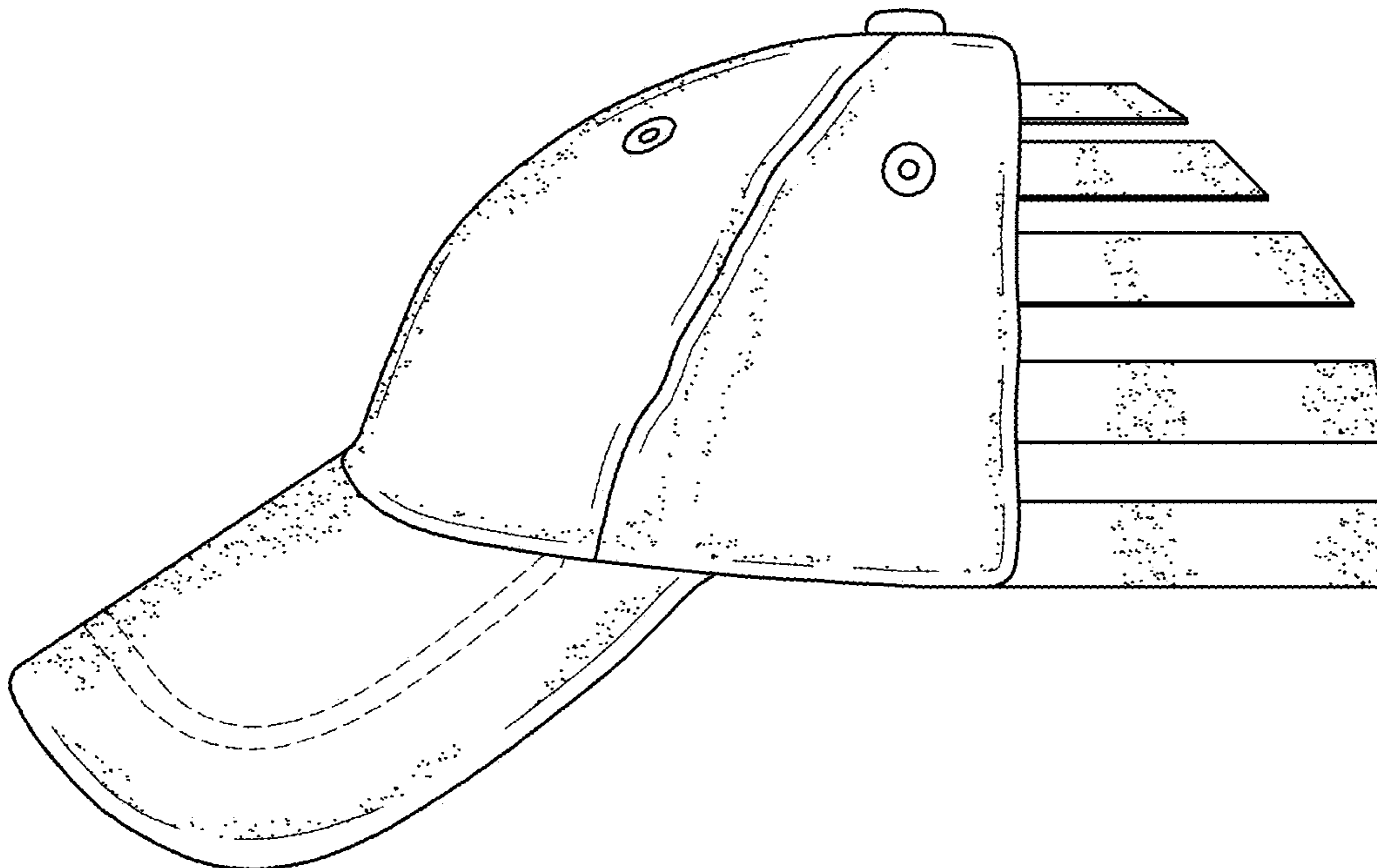


FIG. 4



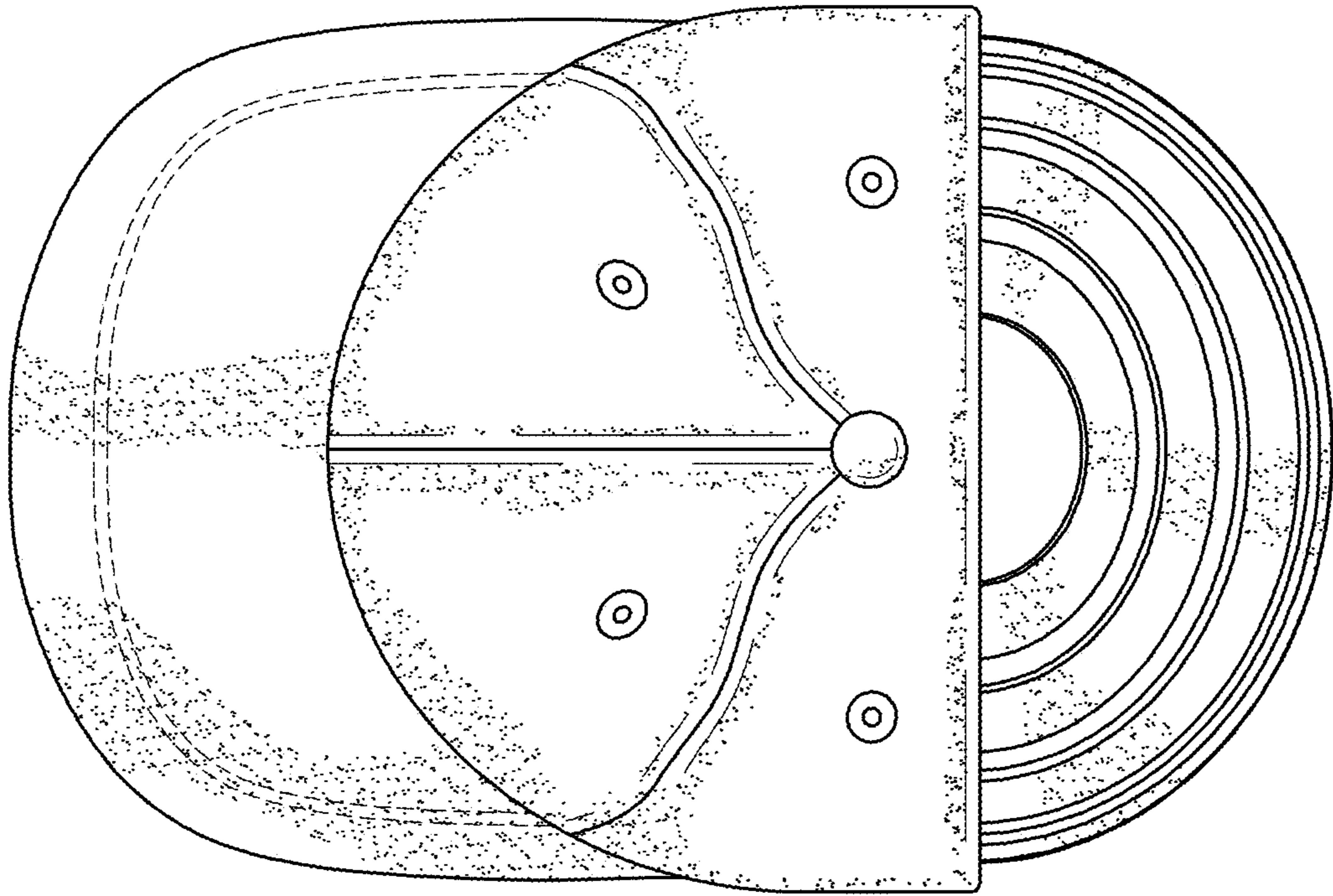


FIG. 5

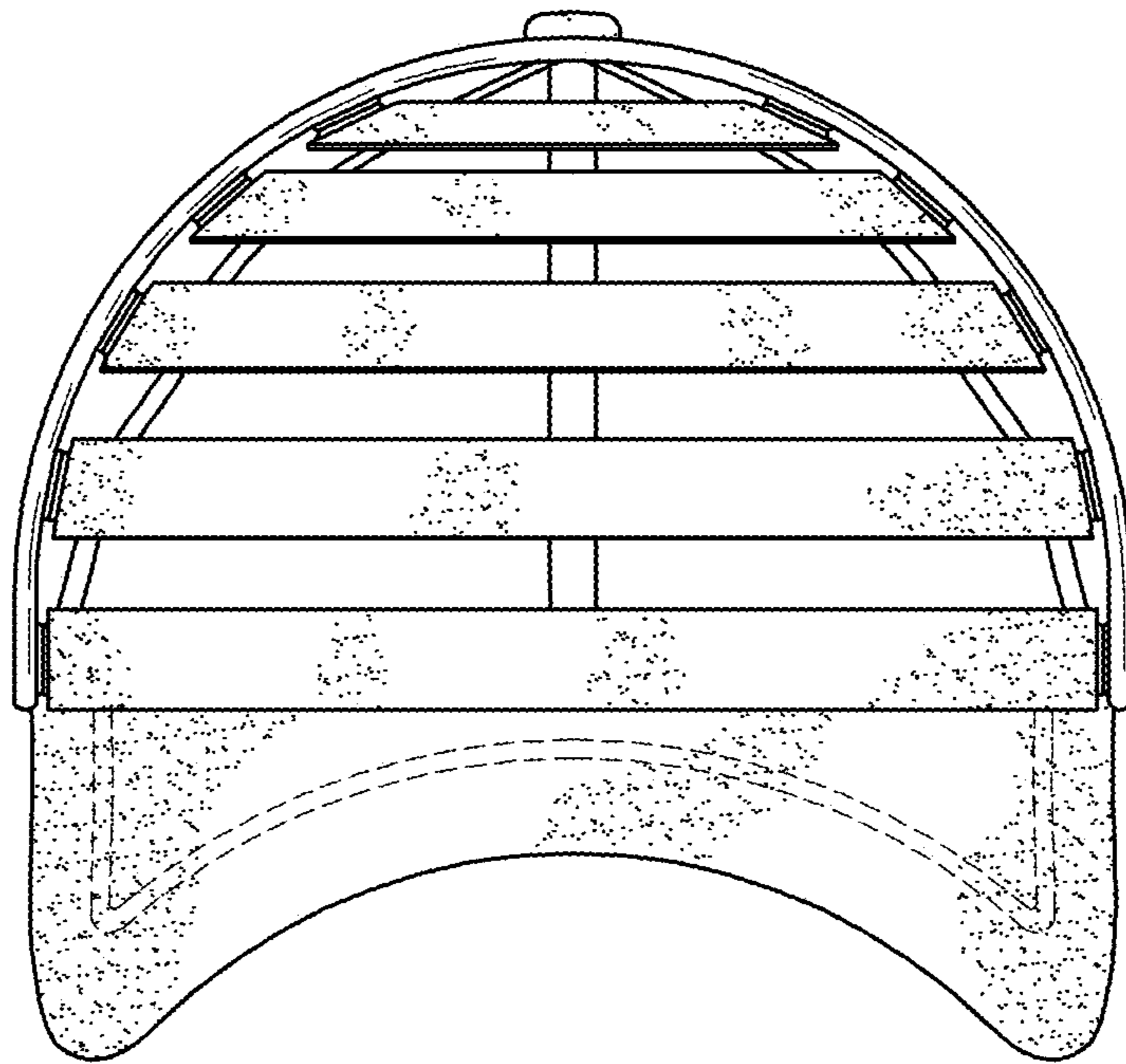


FIG. 6

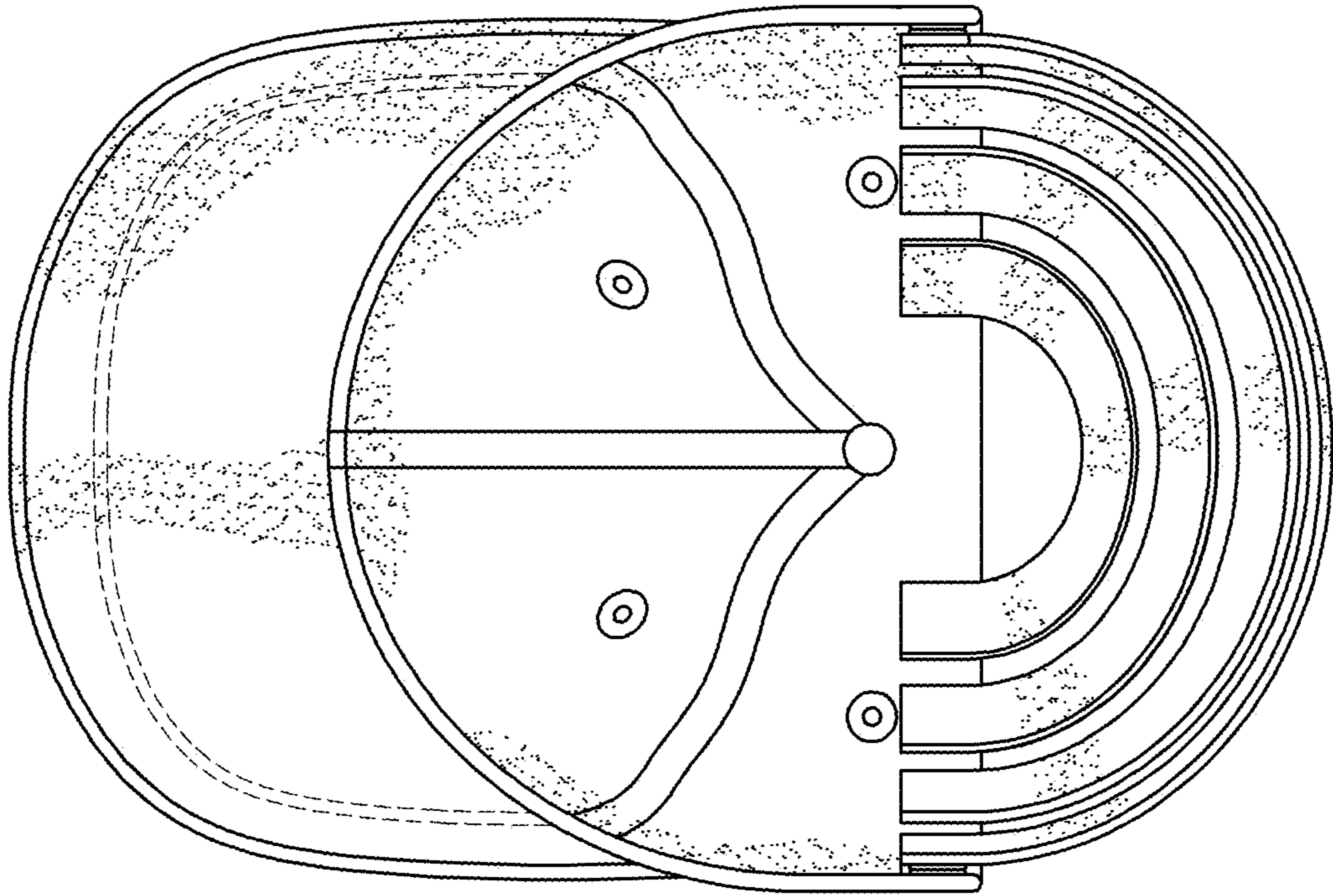


FIG. 7

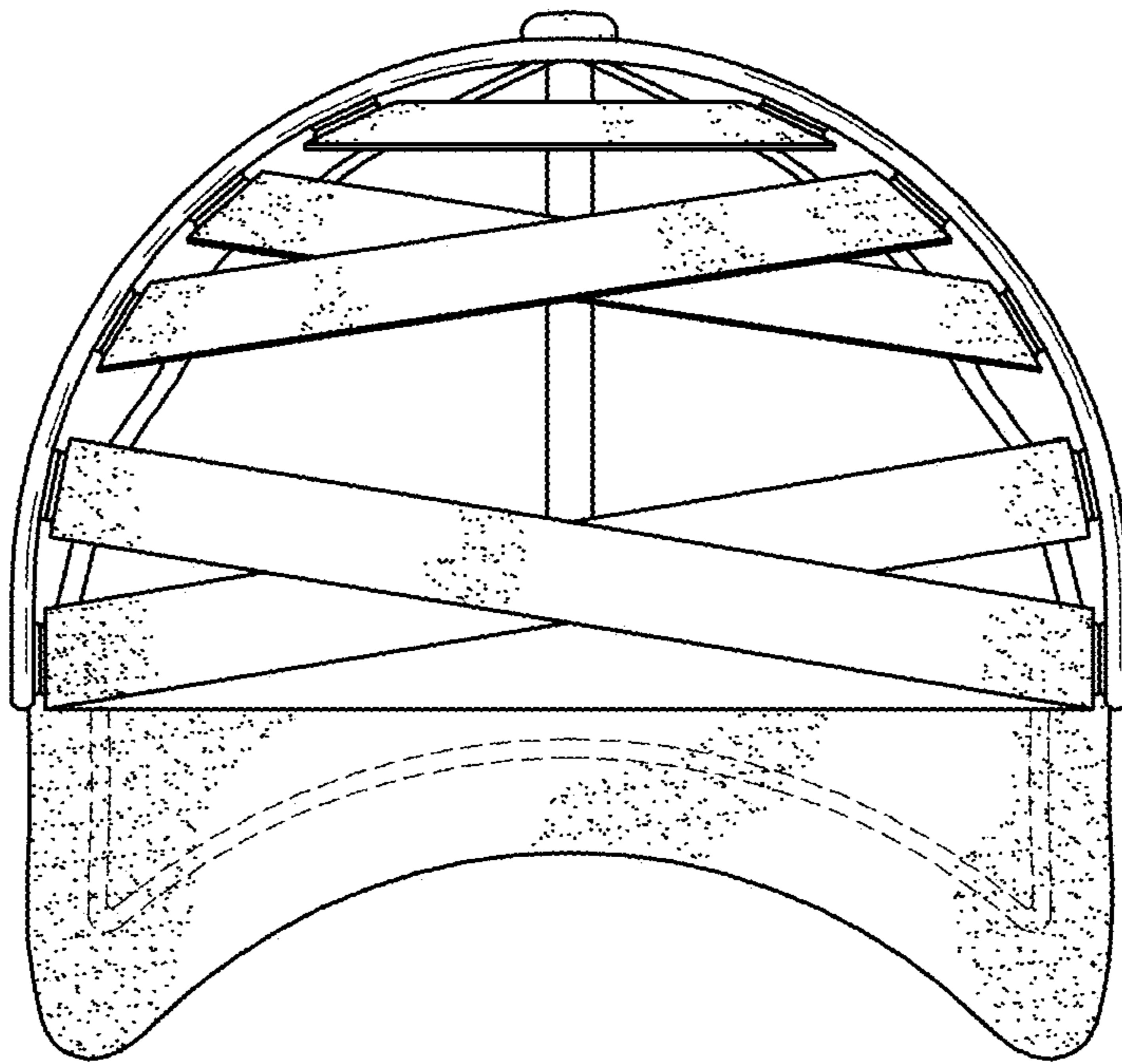


FIG. 8