



US00D910273S

(12) **United States Design Patent** (10) **Patent No.:** **US D910,273 S**
Wexelbaum (45) **Date of Patent:** **** Feb. 16, 2021**

(54) **ADJUSTABLE BELT LOOP FASTENING DEVICE**

(71) Applicant: **Lucida, LLC**, Naples, FL (US)

(72) Inventor: **Joshua Wexelbaum**, Naples, FL (US)

(73) Assignee: **LUCIDA, LLC**, Naples, FL (US)

(**) Term: **15 Years**

(21) Appl. No.: **29/680,064**

(22) Filed: **Feb. 13, 2019**

(51) **LOC (13) Cl.** **02-07**

(52) **U.S. Cl.**
USPC **D2/639**

(58) **Field of Classification Search**
USPC D2/624-629, 631, 635-640, 720, 815,
D2/838, 859, 894; D3/221, 222, 224,
D3/226, 228; D11/5, 13; D24/190;
D29/101.1, 101.3
CPC A41D 13/1236; A41F 11/02; A41F 11/16;
A41F 3/02; A41F 5/00; A41F 9/02; A41F
9/002; A41F 9/025; A41F 19/00; A41F
3/00; A41F 15/00; A45F 2003/006; F16G
13/00; B60R 22/00; B60R 2022/006;
F41C 33/001; F41C 33/002
See application file for complete search history.

(56) **References Cited**

U.S. PATENT DOCUMENTS

D297,683	S	*	9/1988	Beauchan	D3/218
D302,626	S	*	8/1989	Robinson, Jr.	D2/629
5,014,692	A	*	5/1991	Rhoades	A61F 13/041 128/882
D382,985	S	*	9/1997	Richmond	D2/624
D383,888	S	*	9/1997	Smith	D2/624
D462,710	S	*	9/2002	Babcock	D17/20
D495,972	S	*	9/2004	Pettingill	D11/220
D518,632	S	*	4/2006	Montgomery	D3/226

D619,780	S	*	7/2010	Hooker	D2/627
D652,756	S	*	1/2012	Lans	D11/3
D660,740	S	*	5/2012	Cullen	D11/3
D661,461	S	*	6/2012	Murray	D2/627
D676,722	S	*	2/2013	Clancy	D8/1
D693,992	S	*	11/2013	Dinunzio	D2/853
D718,522	S	*	12/2014	Larsen	A44C 17/02 D3/215
D732,819	S	*	6/2015	Kilcoyne	D3/215
D756,616	S	*	5/2016	Darmetko	D2/946
D796,369	S	*	9/2017	Lambert	D11/5
D850,785	S	*	6/2019	Rudd	D3/222
D853,087	S	*	7/2019	Yamamoto	D2/853
D865,970	S	*	11/2019	Haapakoski	A61F 13/041 D24/167

(Continued)

Primary Examiner — Kevin K Rudzinski
Assistant Examiner — Clare Ann Gannon
(74) *Attorney, Agent, or Firm* — Shumaker, Loop & Kendrick, LLP

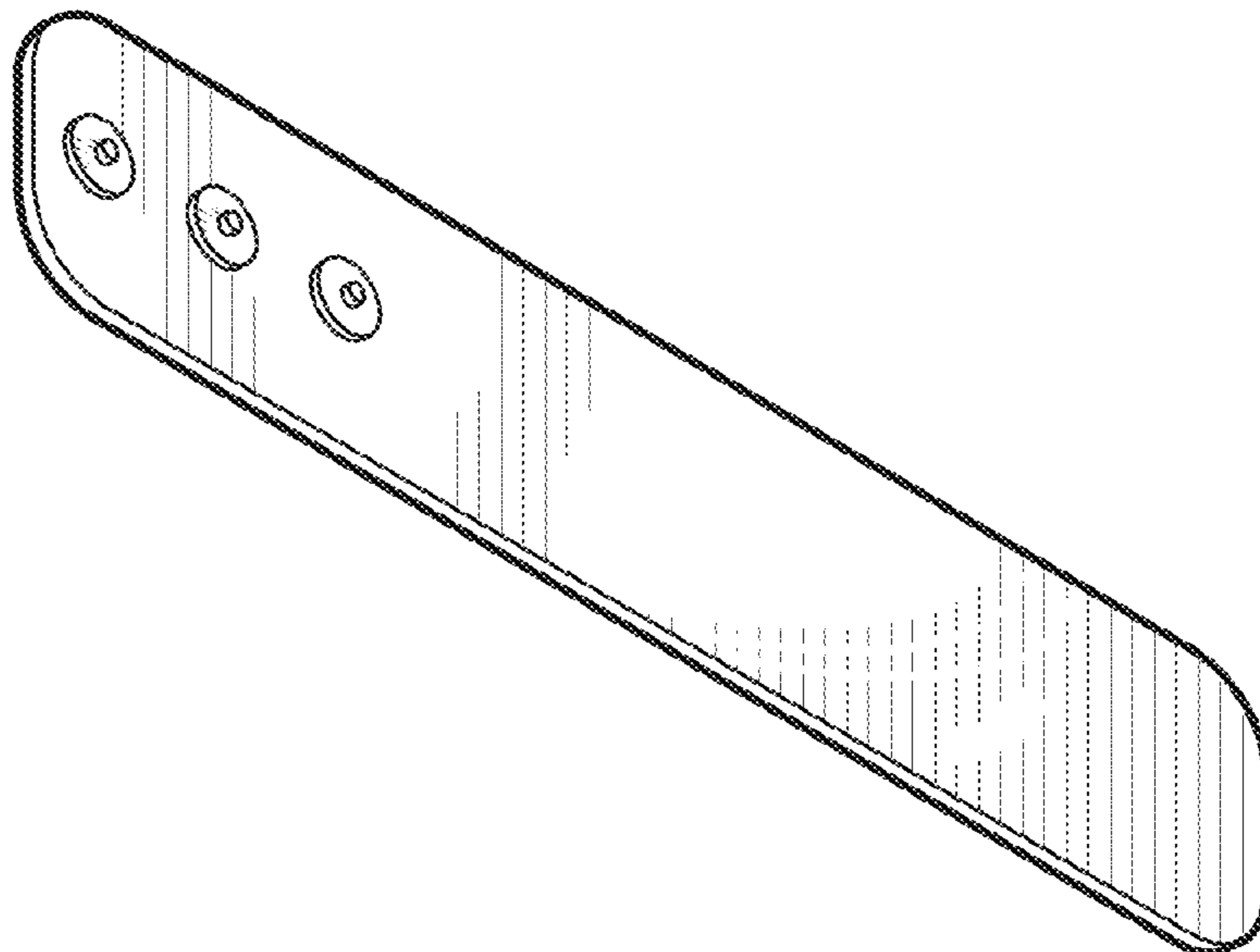
(57) **CLAIM**

The ornamental design for an adjustable belt loop fastening device, as shown and described.

DESCRIPTION

FIG. 1 is a top perspective view of the new design for an adjustable belt loop fastening device;
FIG. 2 is a bottom perspective view thereof;
FIG. 3 is a front view thereof;
FIG. 4 is a top view thereof;
FIG. 5 is a back view thereof;
FIG. 6 is a right side view thereof, with the left side being a mirror image of the right side;
FIG. 7 is a bottom view thereof; and,
FIG. 8 is a perspective view thereof, shown in a closed configuration in a position of use on two belt loops.
The broken lines in the drawings depict environment that forms no part of the claimed design.

1 Claim, 3 Drawing Sheets



(56)

References Cited

U.S. PATENT DOCUMENTS

2016/0157570 A1* 6/2016 Sim A44C 17/02
63/3
2018/0049493 A1* 2/2018 Graves A41D 27/08
2020/0253309 A1* 8/2020 Wexelbaum A41F 9/007

* cited by examiner

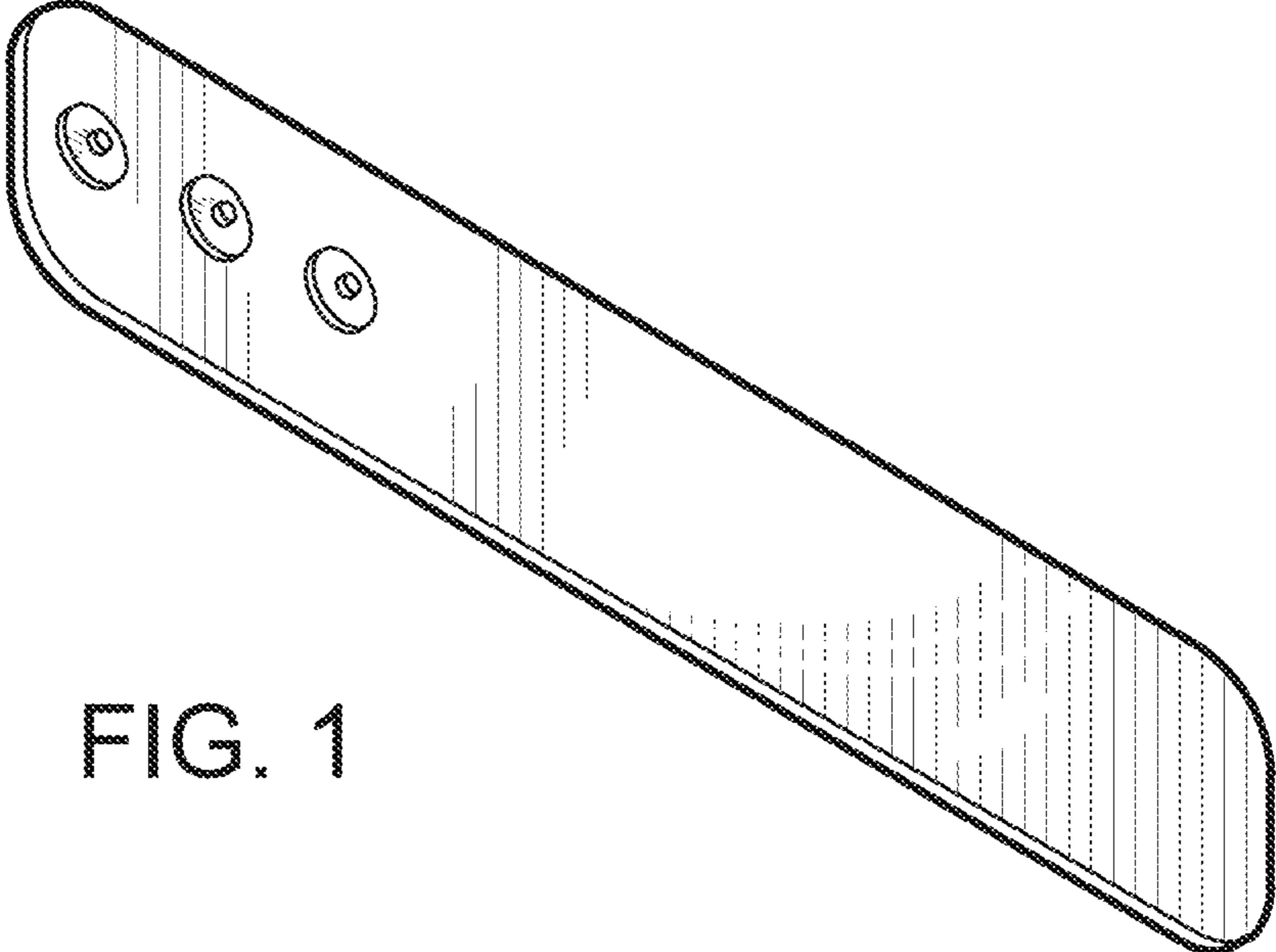


FIG. 1

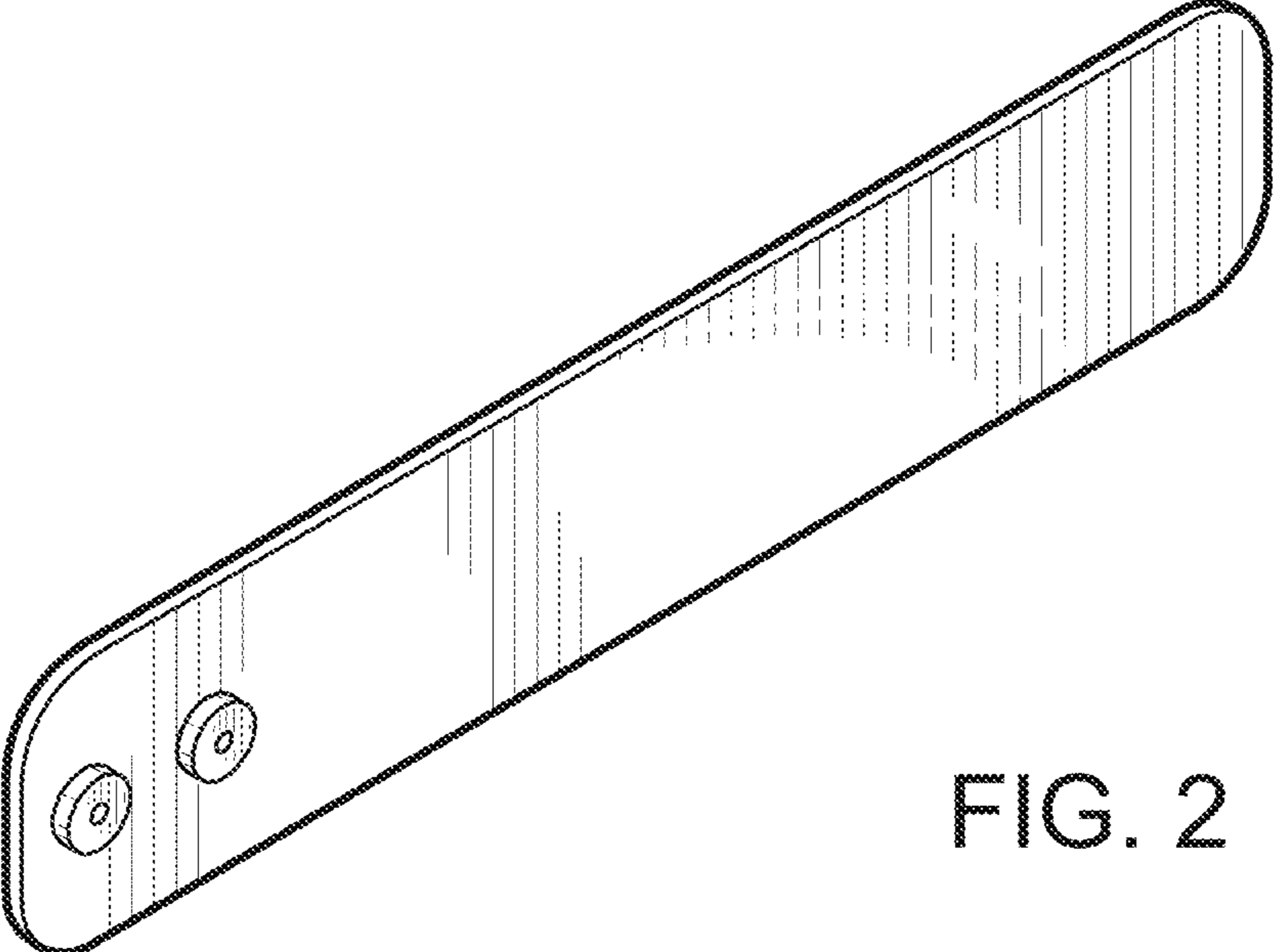


FIG. 2

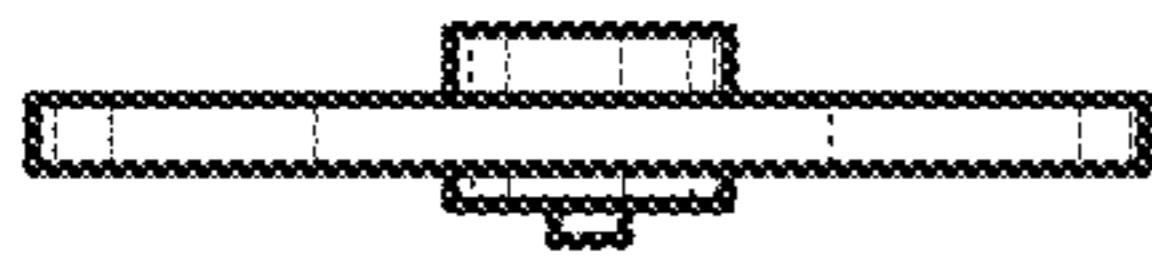


FIG. 3

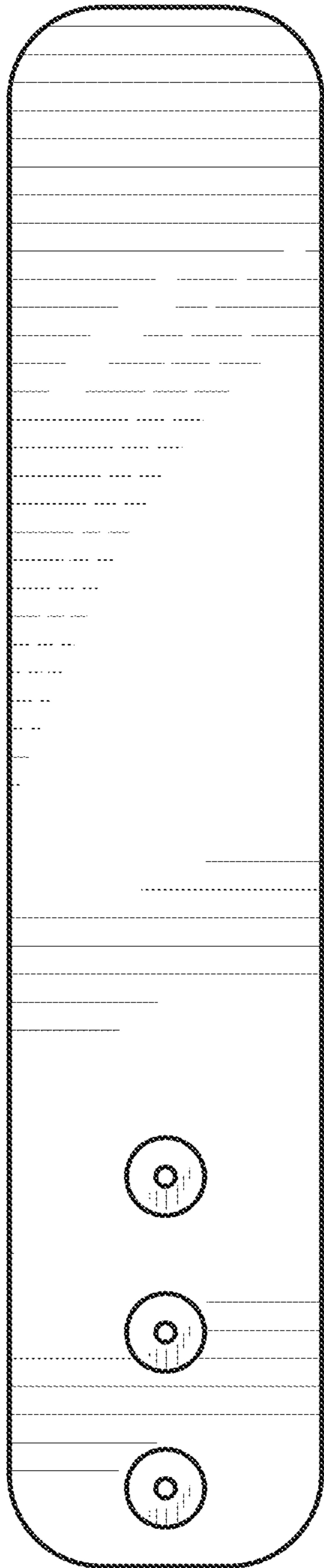


FIG. 4

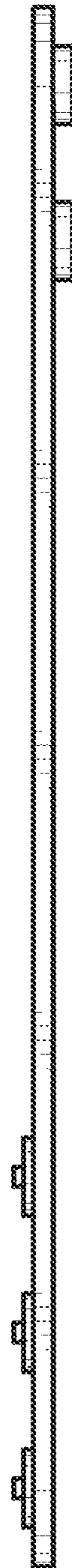


FIG. 6

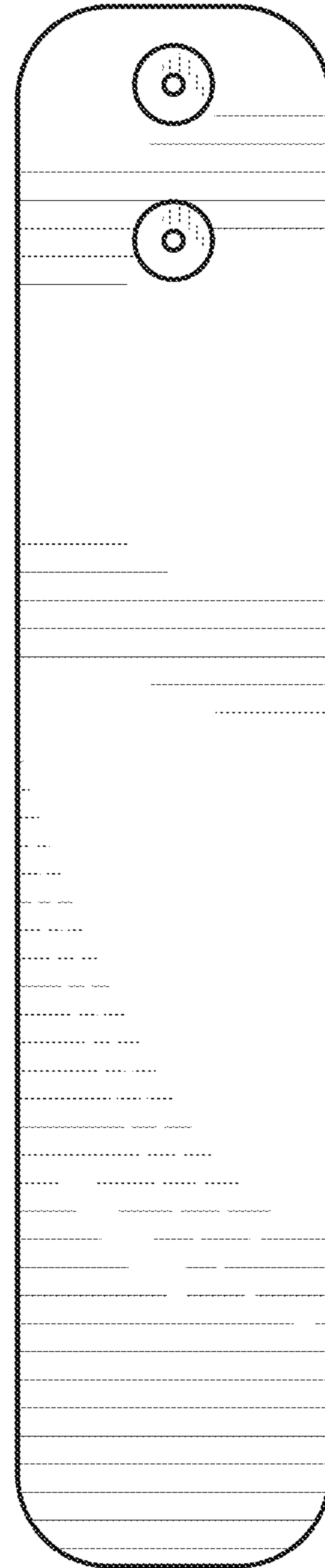


FIG. 7

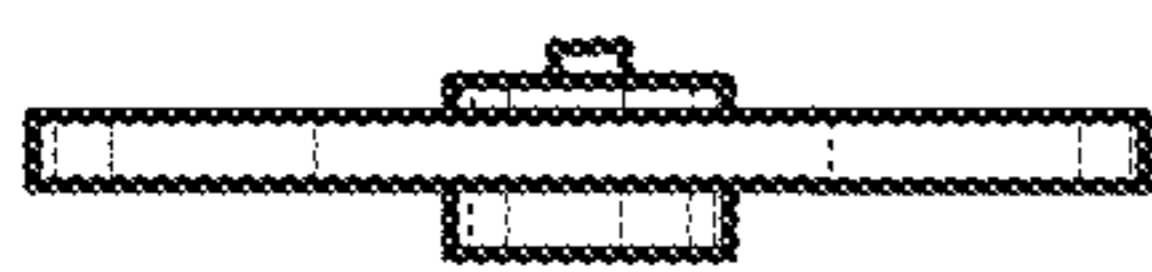


FIG. 5

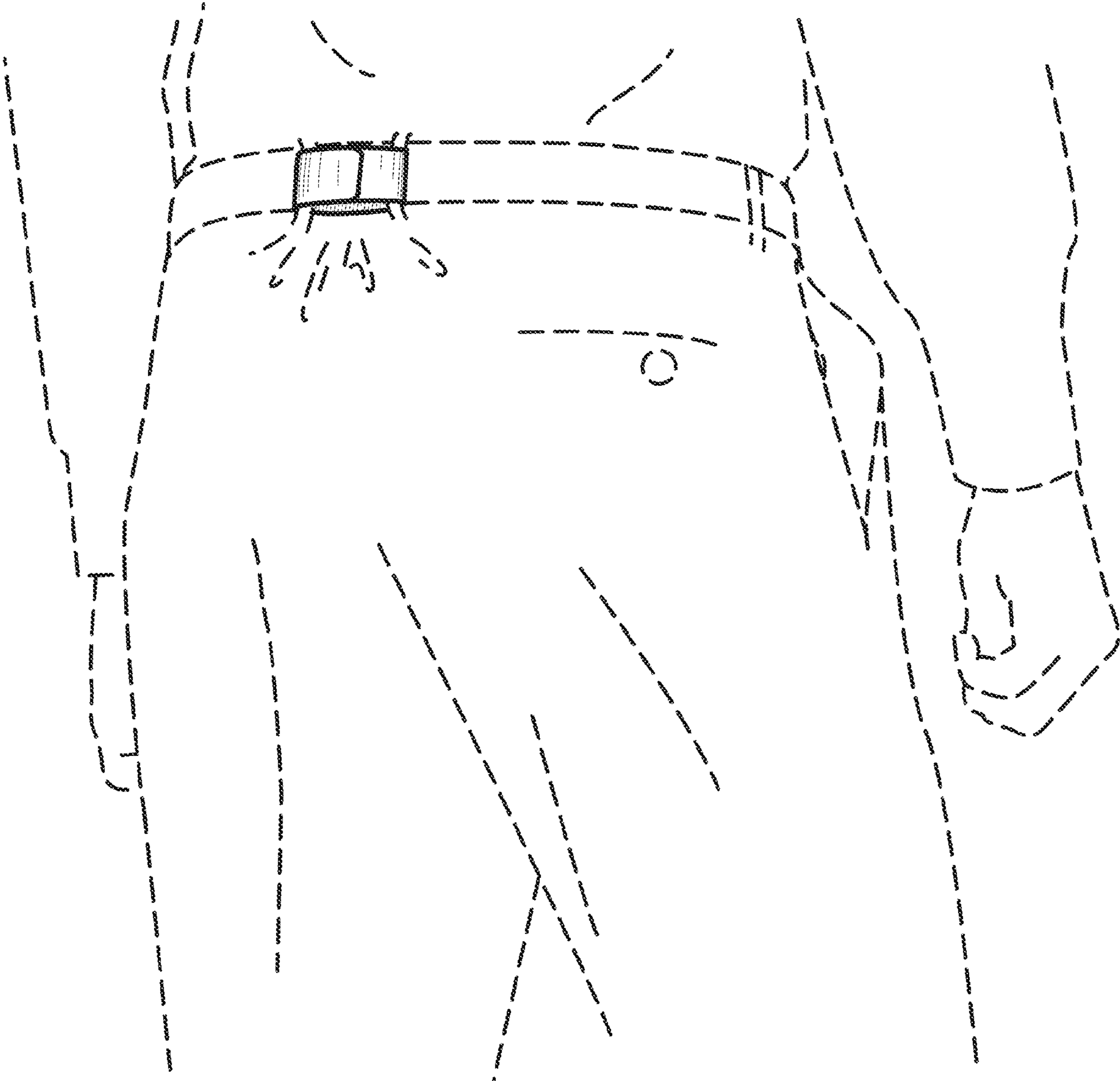


FIG. 8