



US00D910272S

(12) **United States Design Patent** (10) **Patent No.:** **US D910,272 S**
Shekhani et al. (45) **Date of Patent:** **** Feb. 16, 2021**

(54) **INFANT SWADDLE DEVICE**
(71) Applicant: **TWO BABY BEARS AND CO. LLC**,
Ballwin, MO (US)
(72) Inventors: **Ummekulsoom Shekhani**, Ballwin,
MO (US); **Husain Shekhani**, Ballwin,
MO (US)
(73) Assignee: **Two Baby Bears and Co. LLC**,
Ballwin, MO (US)

D900,429 S * 11/2020 Glazer D2/719
D900,430 S * 11/2020 Glazer D2/719
D900,431 S * 11/2020 Glazer D2/719
D901,133 S * 11/2020 Brewster D2/719
D901,835 S * 11/2020 Bykov D2/719
2010/0275932 A1* 11/2010 Shackleton A47D 15/008
128/872
2011/0179546 A1* 7/2011 Millette A41B 13/06
2/75
2011/0180079 A1 7/2011 Krawchuk
(Continued)

(**) Term: **15 Years**

(21) Appl. No.: **29/706,504**

(22) Filed: **Sep. 20, 2019**

(51) **LOC (13) Cl.** **02-06**

(52) **U.S. Cl.**
USPC **D2/610**

(58) **Field of Classification Search**
USPC D2/610, 614, 621, 623
CPC A41B 13/06; A41B 2300/32; A41D
19/0044; A41D 19/0055; A41D 19/00;
A41D 13/08
See application file for complete search history.

(56) **References Cited**

U.S. PATENT DOCUMENTS

3,636,566 A * 1/1972 Sutherland A41B 13/06
2/69.5
D639,099 S * 6/2011 Shackleton D6/598
7,954,187 B1 6/2011 Earnest
8,011,037 B1* 9/2011 Earnest A41B 13/06
5/494
D652,198 S * 1/2012 Ashworth D2/719
8,302,225 B1* 11/2012 Earnest A41B 13/06
5/494
8,375,486 B2 2/2013 Earnest
9,060,549 B2 6/2015 Buckson
9,179,711 B2 11/2015 Krawchuk
D900,428 S * 11/2020 Glazer D2/719

OTHER PUBLICATIONS

Amazing Baby Omni Swaddle Sack with Wrap & Arms Up Sleeves,
posted at yoybuy.com, posting date not given, [online], [site visited
Dec. 11, 2020]. Available from Internet, URL: <https://www.yoybuy.com/pd/KIQ2hHIBbZ1MBMb9Hkay.html> (Year: 2020).*

(Continued)

Primary Examiner — George D. Kirschbaum
Assistant Examiner — Maria J. Edwards
(74) *Attorney, Agent, or Firm* — Polsinelli PC

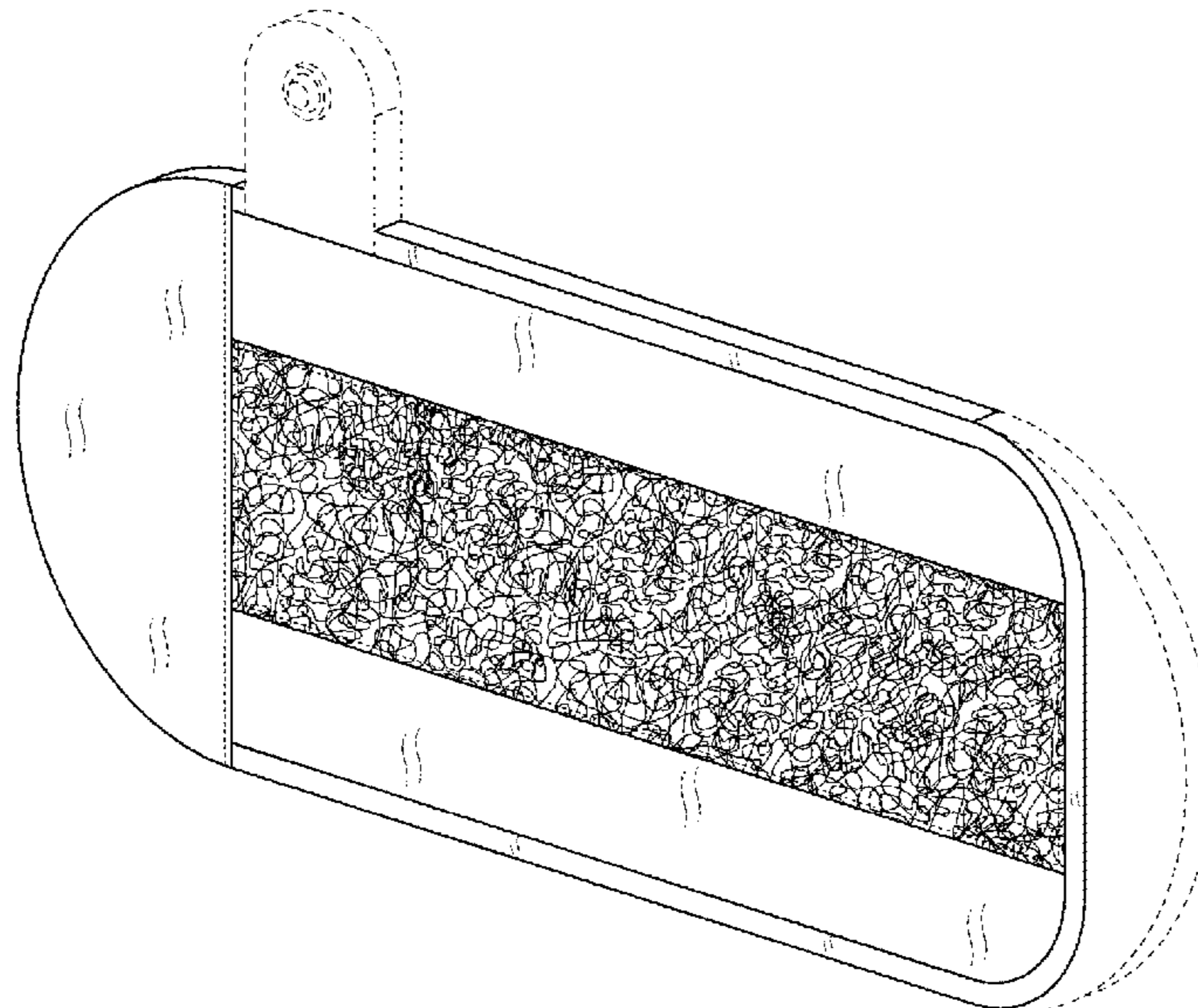
(57) **CLAIM**

We claim the ornamental design for an infant swaddle device, as shown and described.

DESCRIPTION

FIG. 1 is a top isometric view of an infant swaddle device, showing my new design;
FIG. 2 is a front elevational view thereof;
FIG. 3 is a rear elevational view thereof;
FIG. 4 is a right side elevational view thereof;
FIG. 5 is a left side elevational view thereof;
FIG. 6 is a top plan view thereof; and,
FIG. 7 is a bottom plan view thereof.
The broken lines depict portions of the infant swaddle device which form no part of the claimed design.

1 Claim, 3 Drawing Sheets



(56)

References Cited

U.S. PATENT DOCUMENTS

2011/0191932 A1 8/2011 Earnest
 2011/0231993 A1* 9/2011 Schmid A41B 13/06
 5/494
 2013/0227786 A1* 9/2013 Sack A41B 13/06
 5/494
 2013/0283527 A1 10/2013 Houston et al.
 2015/0000036 A1 1/2015 Krawchuk
 2016/0128392 A1 5/2016 Krawchuk
 2016/0165960 A1* 6/2016 Jensen A41B 13/06
 2/69.5
 2016/0174731 A1* 6/2016 Pulley A47D 15/005
 128/878
 2016/0362024 A1 12/2016 Simon et al.
 2017/0006924 A1* 1/2017 Patterson A41B 13/06
 2018/0168240 A1 6/2018 Parker
 2018/0332901 A1* 11/2018 Jennings A41B 13/06
 2019/0060107 A1* 2/2019 Zabel A61F 7/0085

2019/0125005 A1* 5/2019 Giveans A41B 13/06
 2019/0191785 A1* 6/2019 Vincent A41B 13/06
 2020/0093189 A1* 3/2020 Shekhani A41B 13/06

OTHER PUBLICATIONS

Anna & Eve Baby Swaddle Strap, posted at amazon.com, posting date by Mar. 30, 2016, [online], [site visited Dec. 11, 2020]. Available from Internet, URL: <https://www.amazon.com/Anna-Eve-Swaddle-Strap-Large/dp/B014SJ2EHA> (Year: 2016).*

Swaddle Sleeves by Two Baby Bears, posted at swaddlesleeves.com, posting date not given, [online], [site visited Dec. 11, 2020]. Available from Internet, URL: <https://www.swaddlesleeves.com/learn> (Year: 2020).*

Tek Trek Armband Smartphone Case, posted at amazon.com, posting date Dec. 12, 2017, [online], [site visited Dec. 11, 2020]. Available from Internet, URL: <https://www.amazon.com/Tek-Trek-Armband-Smartphone-Horses/dp/B07ZRZ1WB5> (Year: 2017).*

* cited by examiner

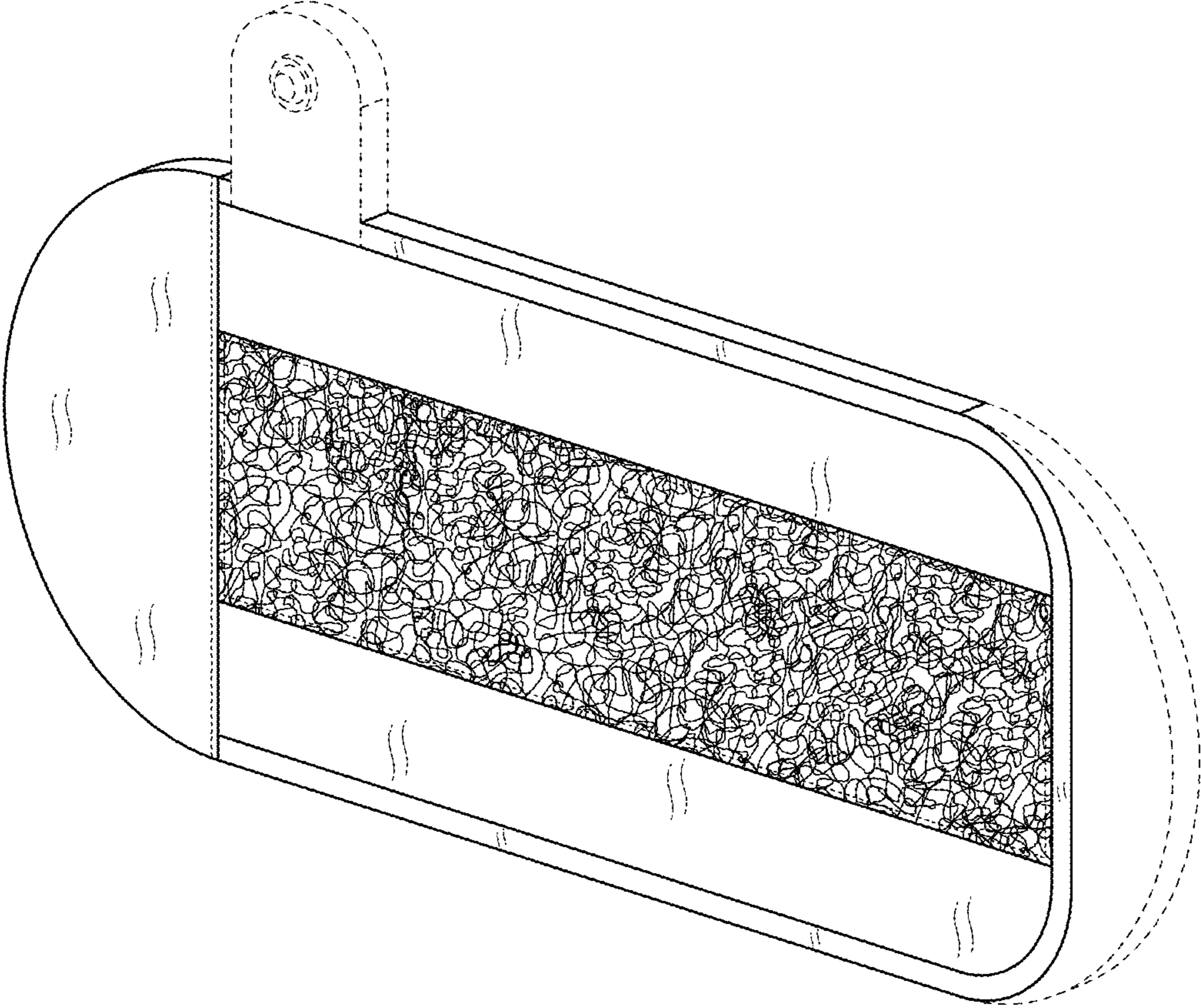


FIG. 1

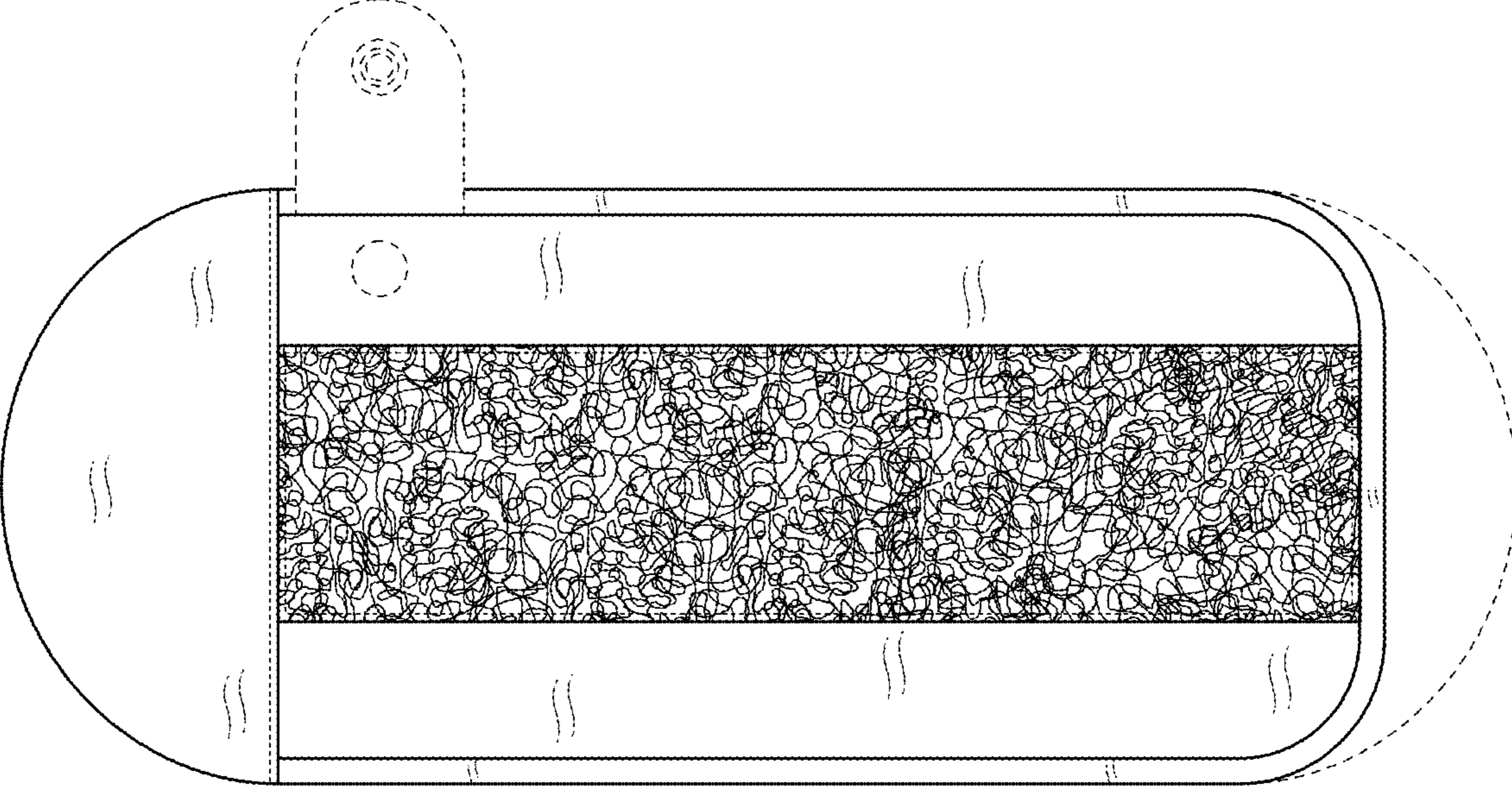


FIG. 2

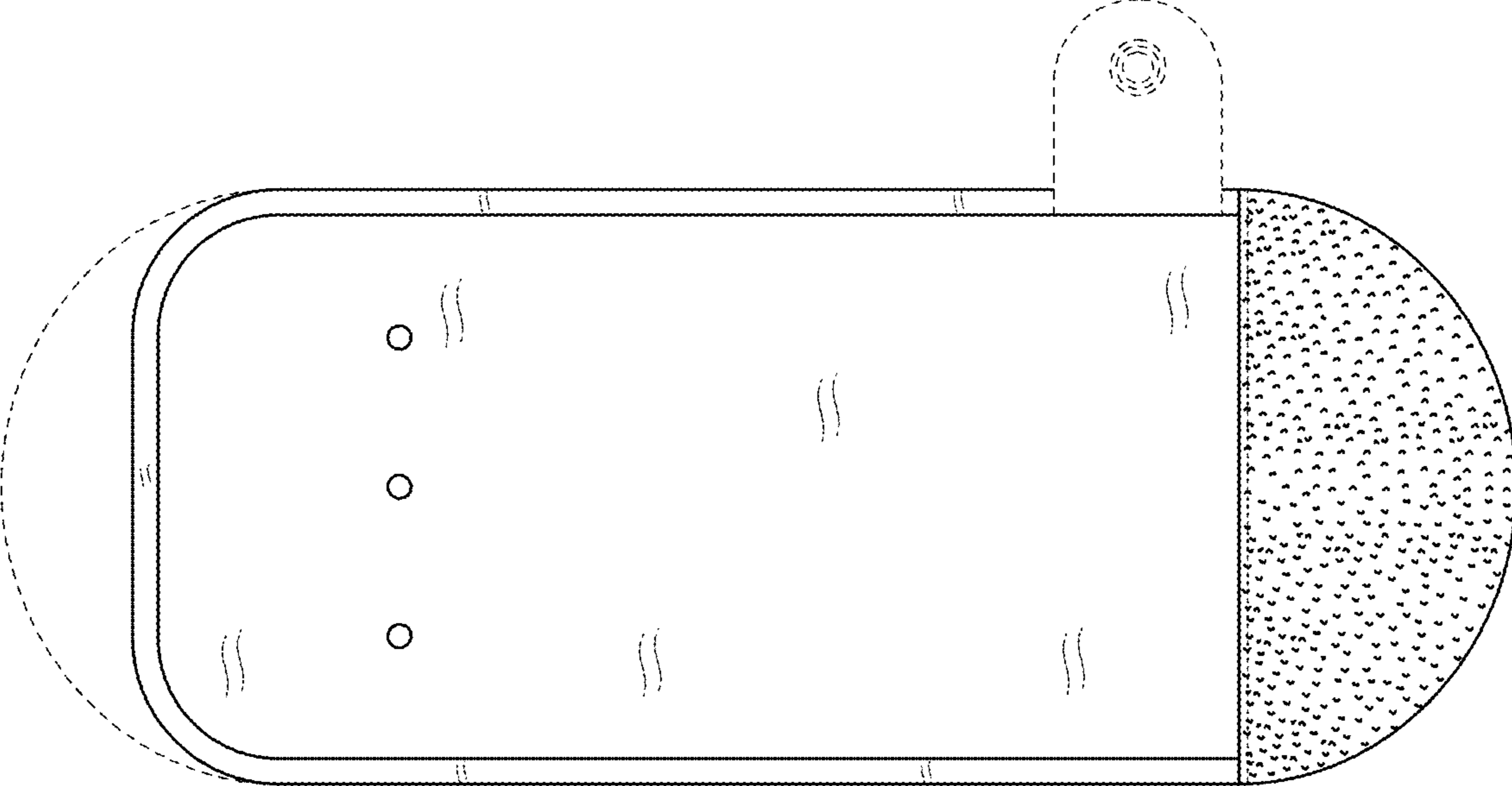


FIG. 3

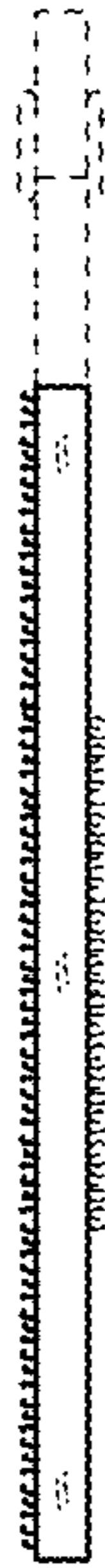


FIG. 4

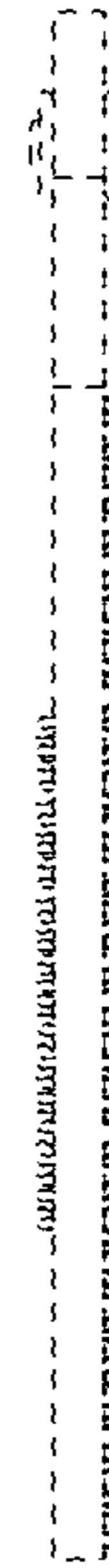


FIG. 5

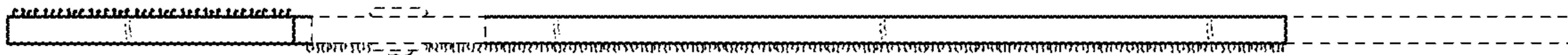


FIG. 6

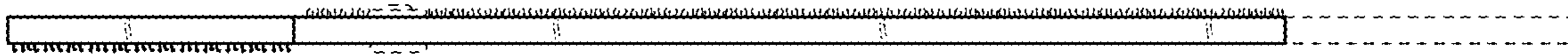


FIG. 7