



US00D910264S

(12) **United States Design Patent**
Tracy et al.

(10) **Patent No.:** **US D910,264 S**
(45) **Date of Patent:** **** Feb. 9, 2021**

- (54) **VEHICLE ARCH**
- (71) Applicant: **THE RAYMOND CORPORATION**,
Greene, NY (US)
- (72) Inventors: **Erik Tracy**, Johnson City, NY (US);
Kevin T. Bordwell, Binghamton, NY
(US)
- (73) Assignee: **The Raymond Corporation**, Greene,
NY (US)
- (**) Term: **15 Years**
- (21) Appl. No.: **29/686,685**
- (22) Filed: **Apr. 5, 2019**
- (51) **LOC (13) Cl.** **12-05**
- (52) **U.S. Cl.**
USPC **D34/35**
- (58) **Field of Classification Search**
USPC D34/12-20, 23-28, 33-35, 37; D15/10,
D15/23-33; D12/86, 90-92, 163, 164,
D12/169, 171, 196, 216
CPC B60R 19/02; B60R 19/04; B60R 19/18;
B60R 19/24; B60R 19/56; B60R
2019/007; B62D 25/08; B60D 1/00;
B60D 1/01; B60D 1/06; B60D 1/065
See application file for complete search history.

- D470,085 S * 2/2003 Newport B60D 1/485
D12/162
- D470,444 S * 2/2003 Newport D12/162
- D569,770 S * 5/2008 Biery, Jr. D12/162
- 7,607,677 B1 * 10/2009 Bosak B60R 19/48
280/420
- D747,240 S * 1/2016 Myers D12/162
- D827,244 S * 8/2018 Hoock D34/34

* cited by examiner

Primary Examiner — George A Bugg
Assistant Examiner — Tamara L Hahn

(74) *Attorney, Agent, or Firm* — Quarles & Brady LLP

(57) **CLAIM**

The ornamental design for a vehicle arch, as shown and described.

DESCRIPTION

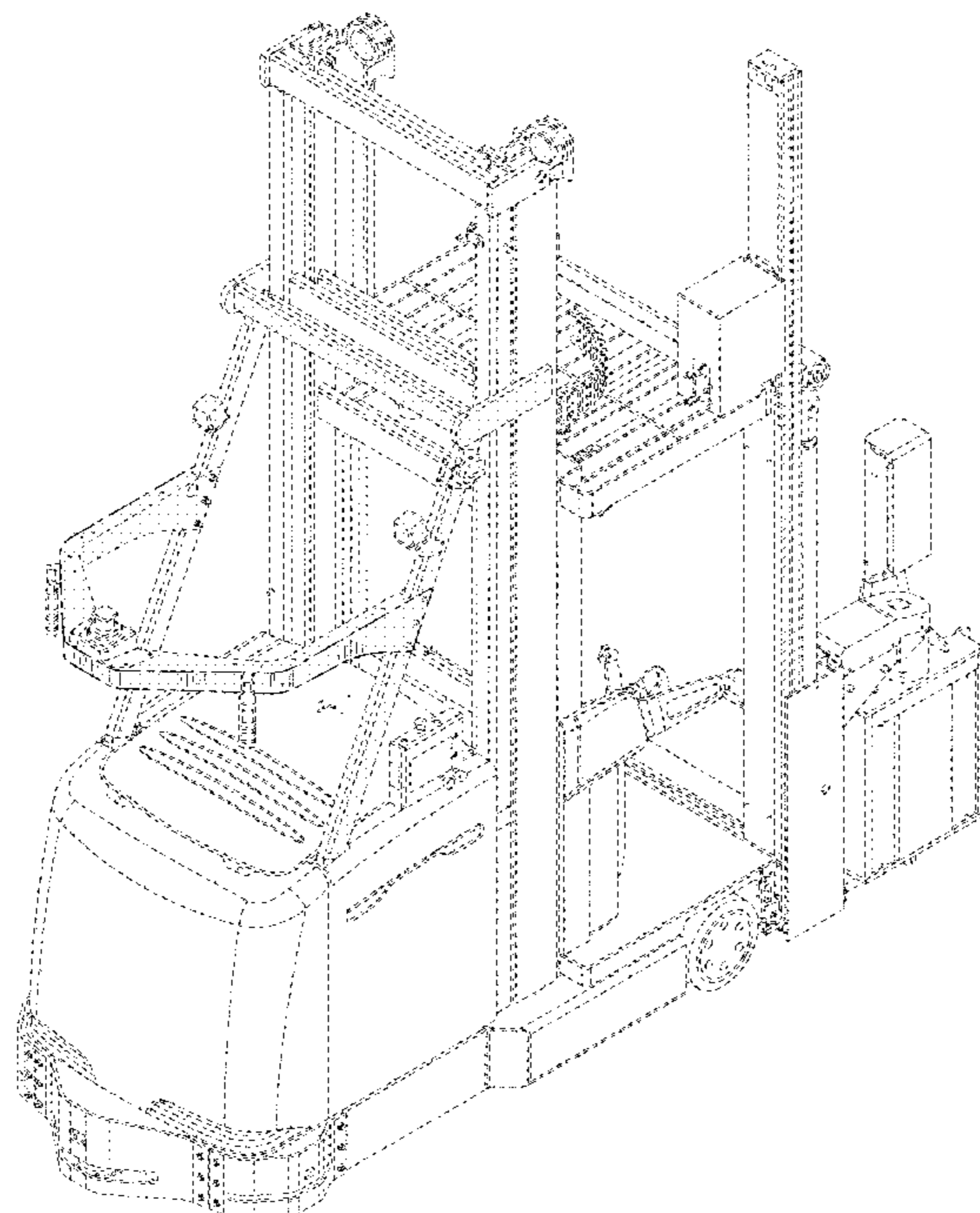
FIG. 1 is a top, right, and front isometric view of an ornamental design for a vehicle arch;
 FIG. 2 is a top, right, and front isometric view of the vehicle arch of FIG. 1, wherein environmental portions have been removed for clarity;
 FIG. 3 is a front elevational view of the vehicle arch of FIG. 2;
 FIG. 4 is a right side elevational view of the vehicle arch of FIG. 2;
 FIG. 5 is a left side elevational view of the vehicle arch of FIG. 2;
 FIG. 6 is a top plan view of the vehicle arch of FIG. 2; and,
 FIG. 7 is a bottom plan view of the vehicle arch of FIG. 2.
 The dash-dash-dash lines are included for the purpose of illustrating portions that form no part of the claimed design. The dash-dot-dash broken lines depict boundary lines and form no part of the claimed design.

1 Claim, 7 Drawing Sheets

(56) **References Cited**

U.S. PATENT DOCUMENTS

- 3,881,750 A * 5/1975 Shatto B60D 1/06
280/423.1
- 6,464,240 B1 * 10/2002 Seksaria B60D 1/485
280/495



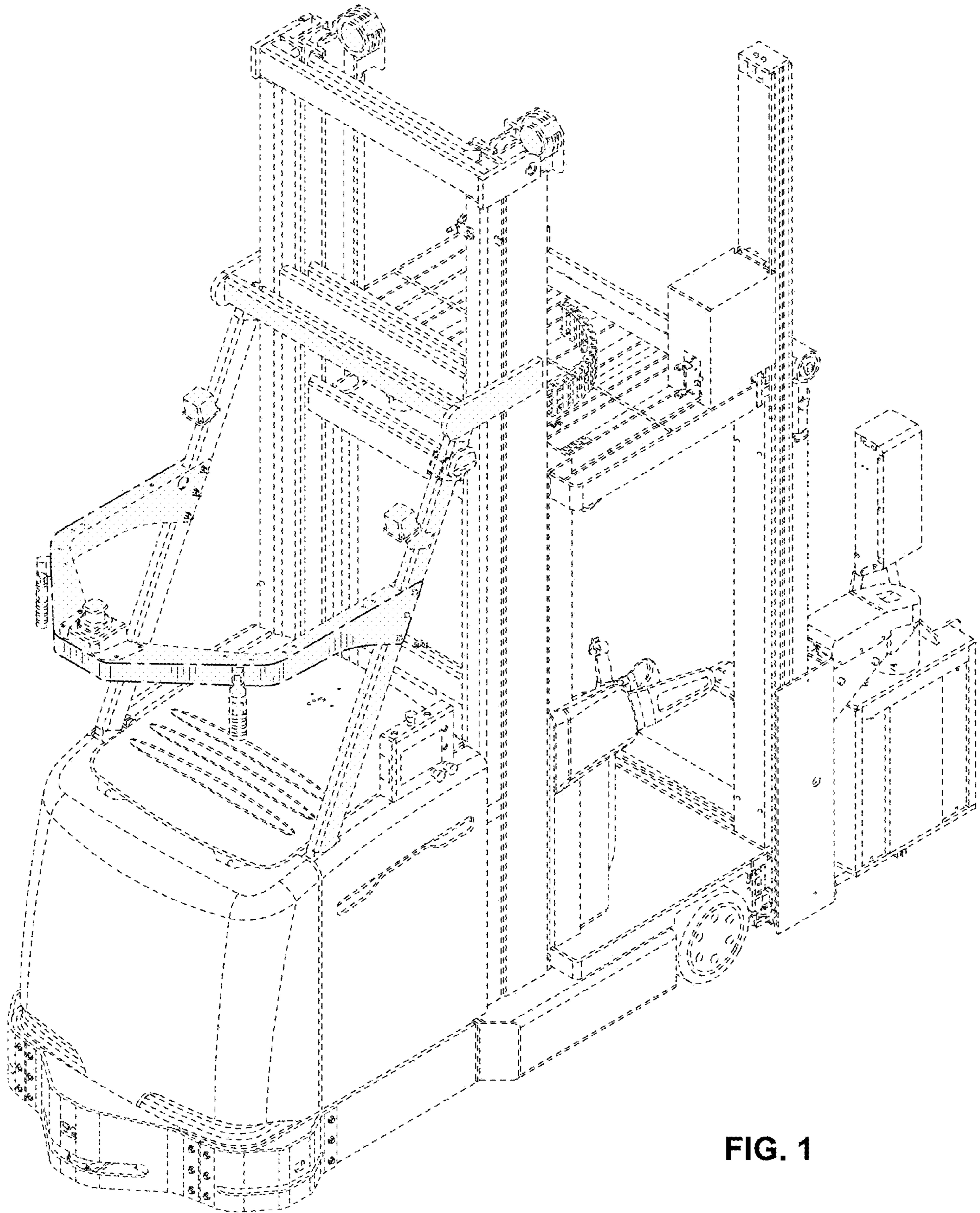


FIG. 1

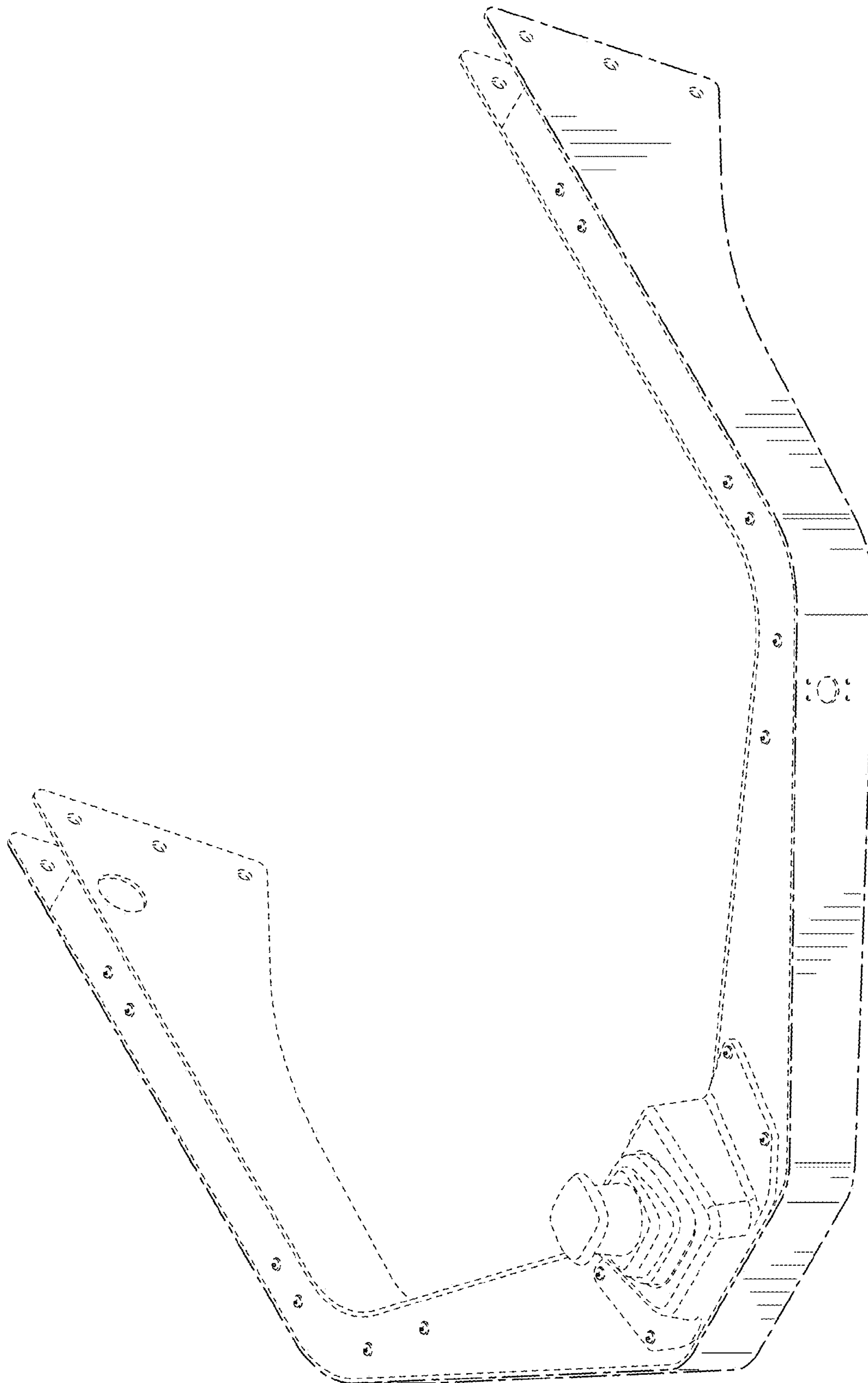


FIG. 2

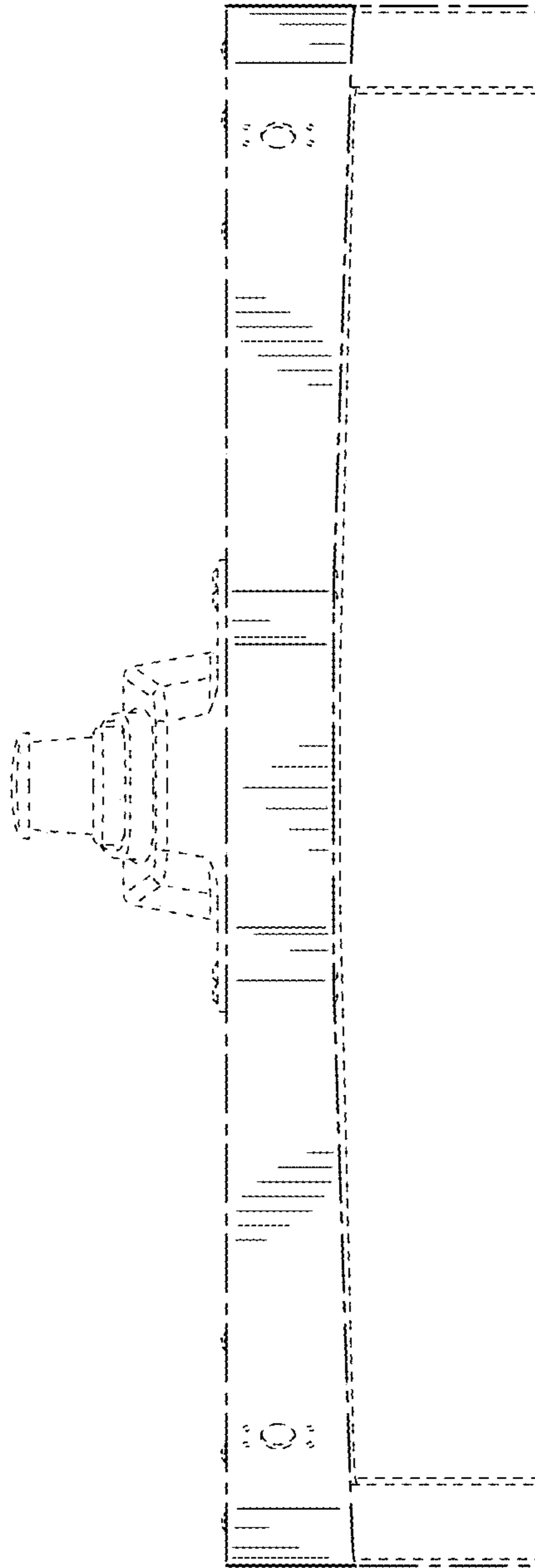


FIG. 3

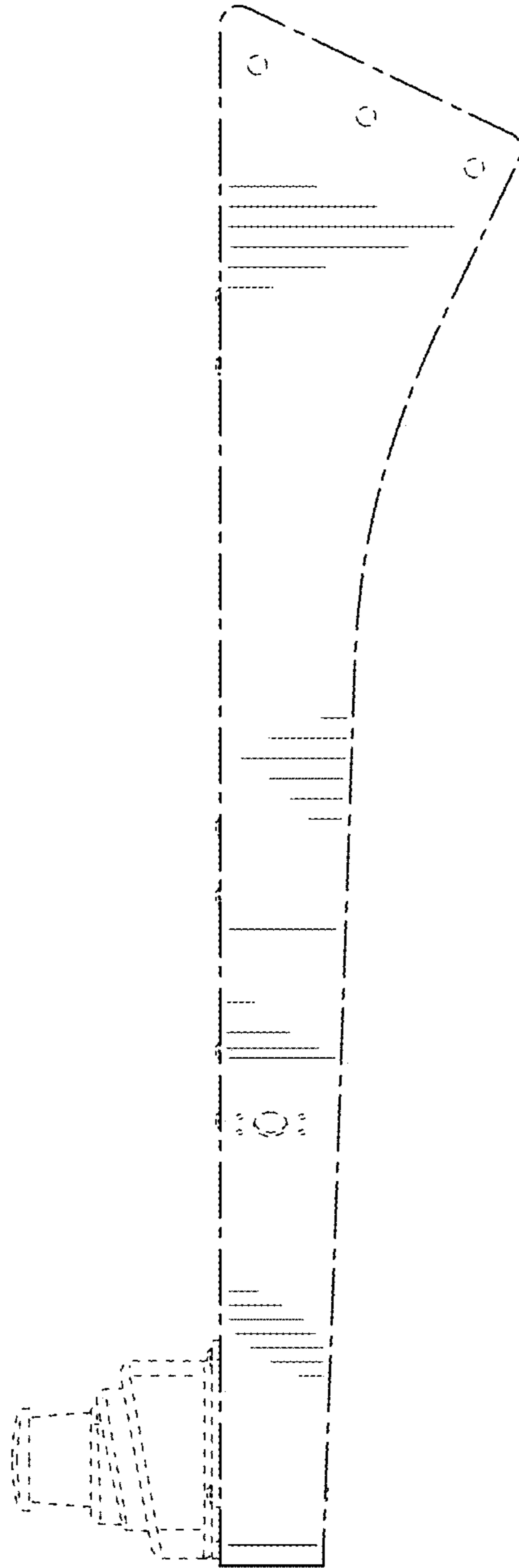


FIG. 4

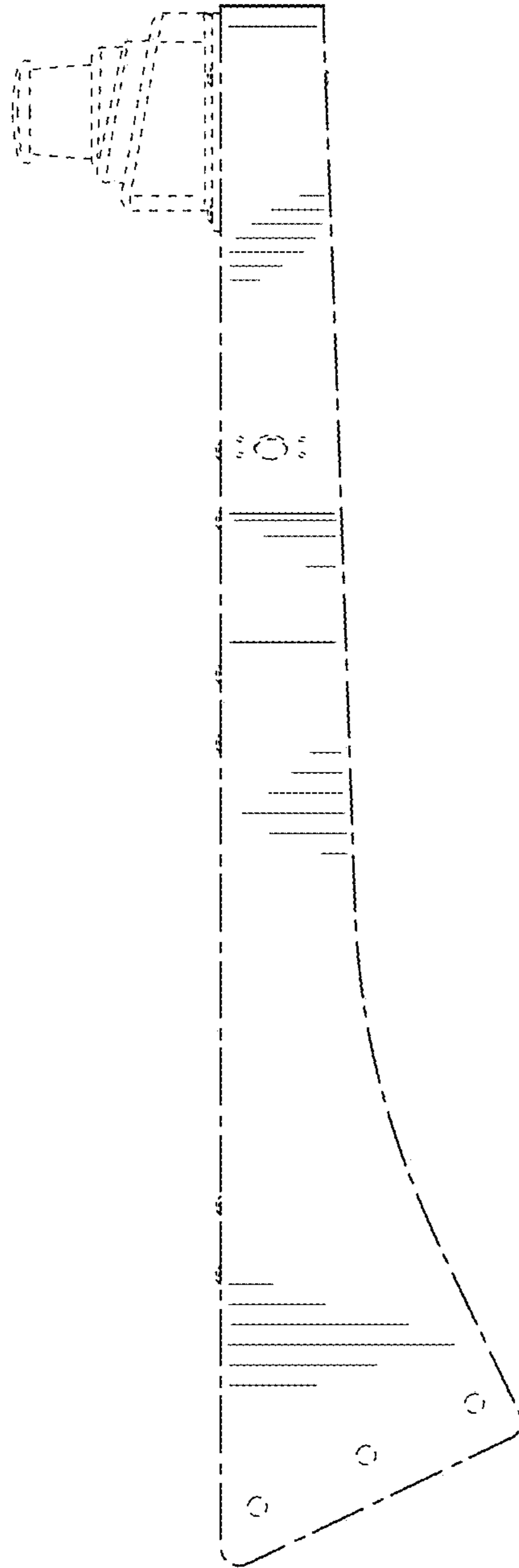


FIG. 5

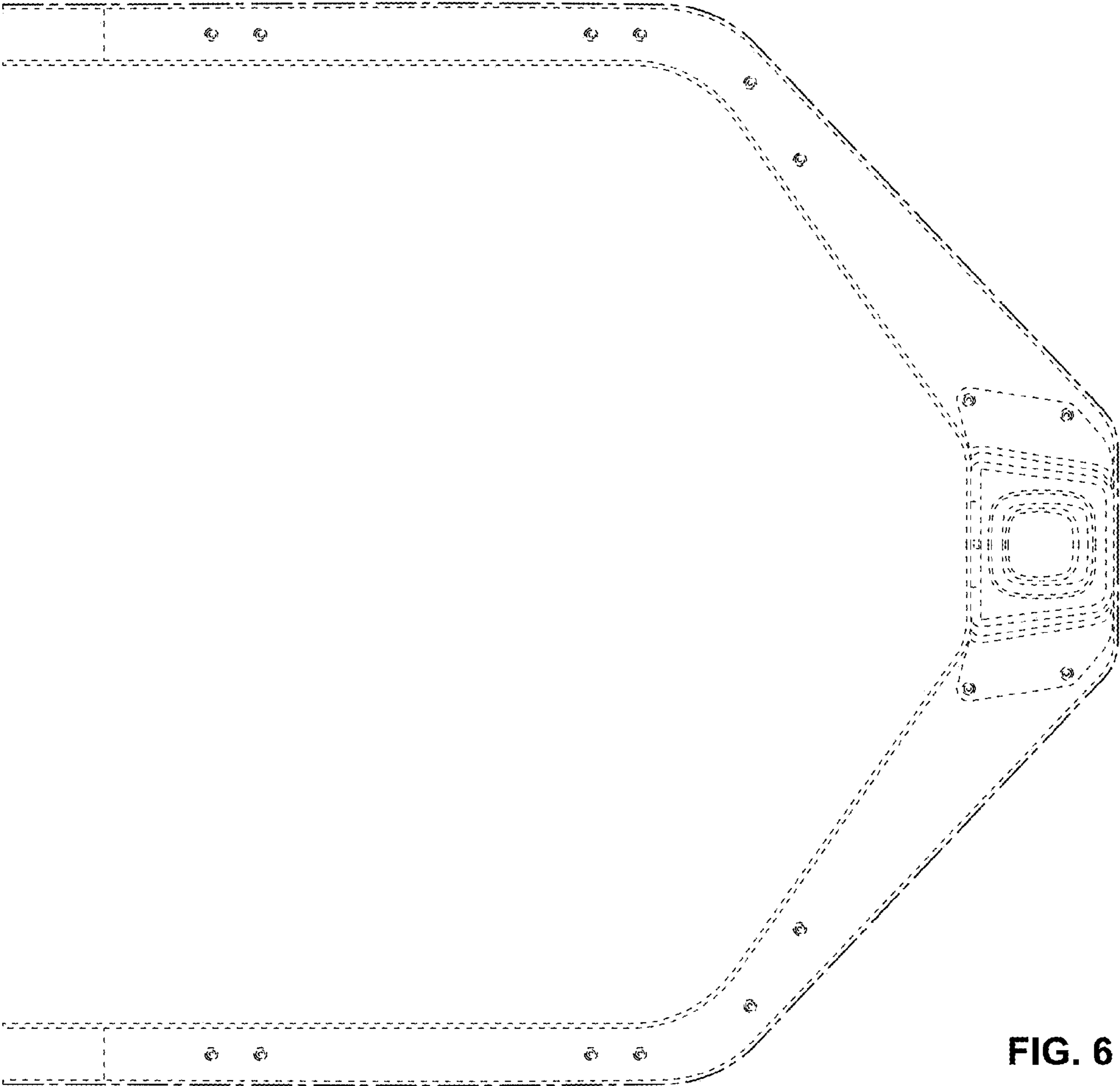


FIG. 6

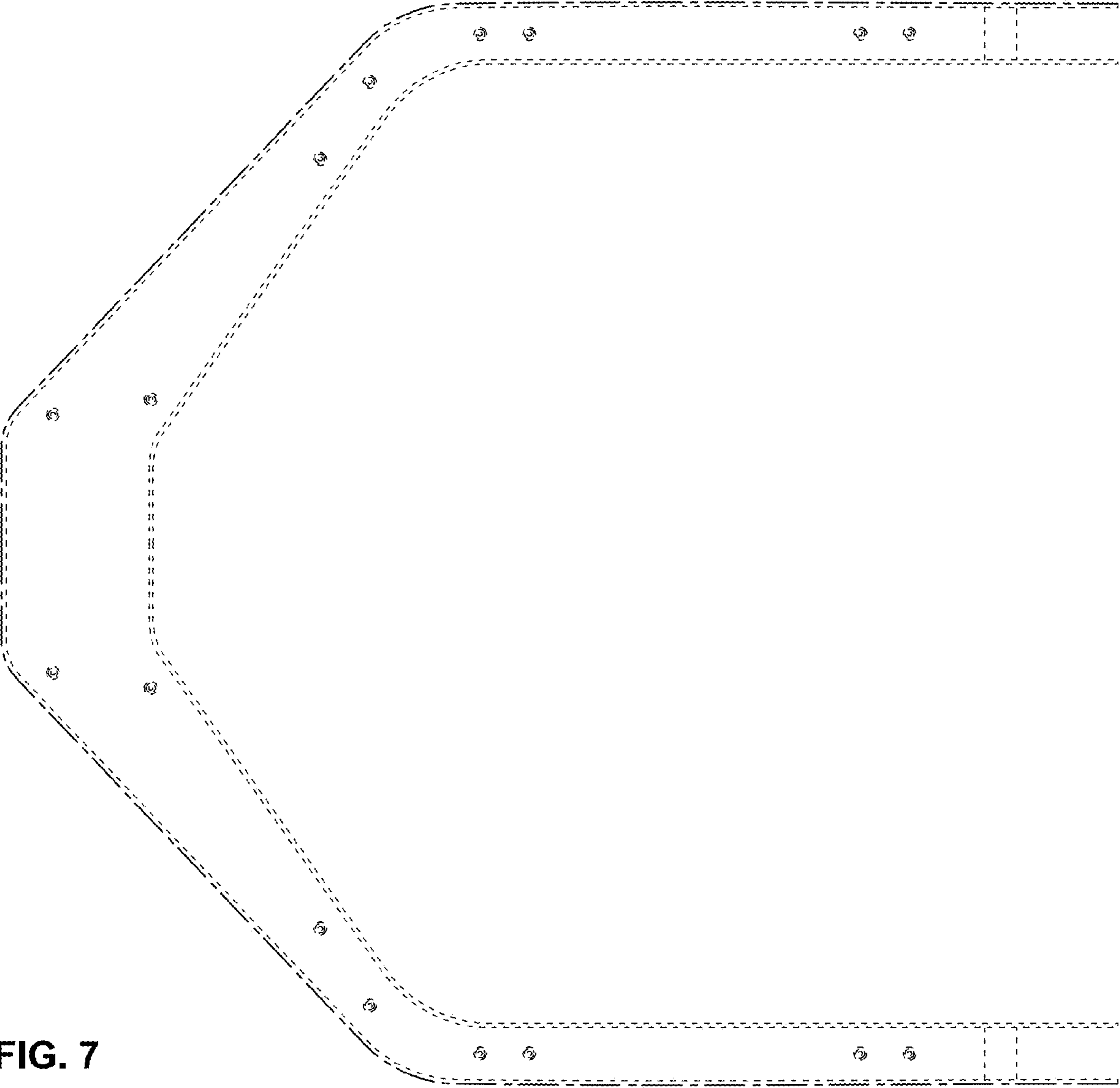


FIG. 7