



US00D910263S

(12) **United States Design Patent**
Tracy et al.

(10) **Patent No.:** **US D910,263 S**

(45) **Date of Patent:** **** Feb. 9, 2021**

(54) **VEHICLE COVER**

(71) Applicant: **THE RAYMOND CORPORATION**,
Greene, NY (US)

(72) Inventors: **Erik Tracy**, Johnson City, NY (US);
Kevin T. Bordwell, Binghamton, NY
(US)

(73) Assignee: **The Raymond Corporation**, Greene,
NY (US)

(**) Term: **15 Years**

(21) Appl. No.: **29/686,683**

(22) Filed: **Apr. 5, 2019**

(51) **LOC (13) Cl.** **12-05**

(52) **U.S. Cl.**
USPC **D34/35**

(58) **Field of Classification Search**
USPC D34/12-20, 23-28, 33-35, 37; D15/10,
D15/23-33; D12/86, 90-92, 163, 164,
D12/169, 171, 196, 216
CPC B60R 19/02; B60R 19/04; B60R 19/18;
B60R 19/24; B60R 19/56; B60R
2019/007; B62D 25/08
See application file for complete search history.

(56) **References Cited**

U.S. PATENT DOCUMENTS

D505,896 S	*	6/2005	Devitt	D12/106
D696,831 S	*	12/2013	Kazaoka	D34/35
D709,807 S	*	7/2014	Heilaneh	D12/169
D753,032 S	*	4/2016	Smith	D12/169
D805,970 S	*	12/2017	Villamizar	D12/169

D818,239 S	*	5/2018	Stark	D34/35
D846,458 S	*	4/2019	Mack	D12/169
D860,078 S	*	9/2019	O'Donnell	D12/169
D864,806 S	*	10/2019	Wood	D12/171
D878,976 S	*	3/2020	Goodrich	D12/169
2016/0114748 A1	*	4/2016	Hare	B60R 19/023 293/106

* cited by examiner

Primary Examiner — George A Bugg
Assistant Examiner — Tamara L Hahn

(74) *Attorney, Agent, or Firm* — Quarles & Brady LLP

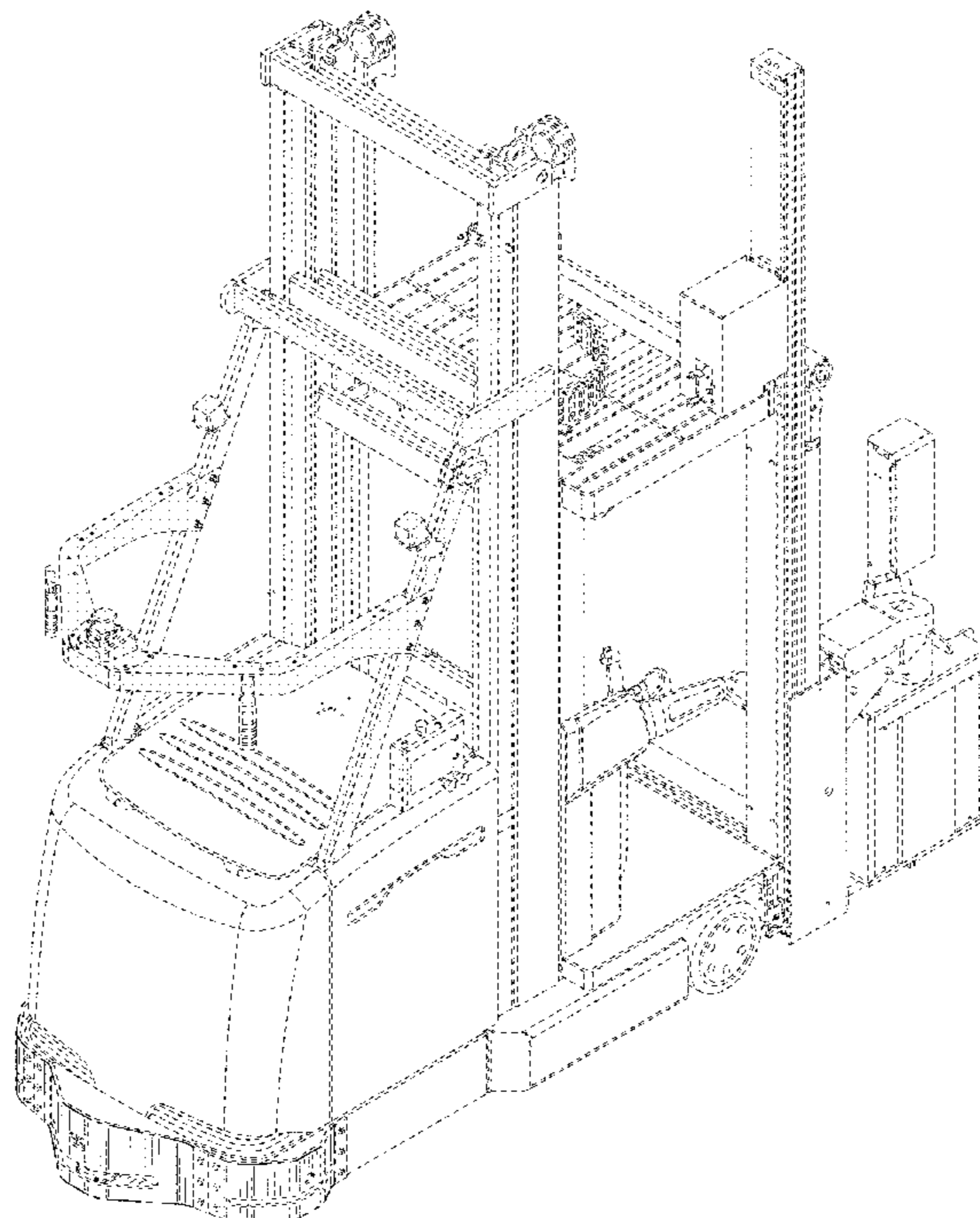
(57) **CLAIM**

The ornamental design for a vehicle cover, as shown and described.

DESCRIPTION

FIG. 1 is a top, right, and front isometric view of an ornamental design for a vehicle cover;
FIG. 2 is a top, right, and front isometric view of the vehicle cover of FIG. 1, wherein environmental portions have been removed for clarity;
FIG. 3 is a front elevational view of the vehicle cover of FIG. 2;
FIG. 4 is a right side elevational view of the vehicle cover of FIG. 2;
FIG. 5 is a left side elevational view of the vehicle cover of FIG. 2;
FIG. 6 is a top plan view of the vehicle cover of FIG. 2; and,
FIG. 7 is a bottom plan view of the vehicle cover of FIG. 2.
The dash-dash-dash lines are included for the purpose of illustrating portions that form no part of the claimed design. The dash-dot-dash broken lines depict boundary lines and form no part of the claimed design.

1 Claim, 7 Drawing Sheets



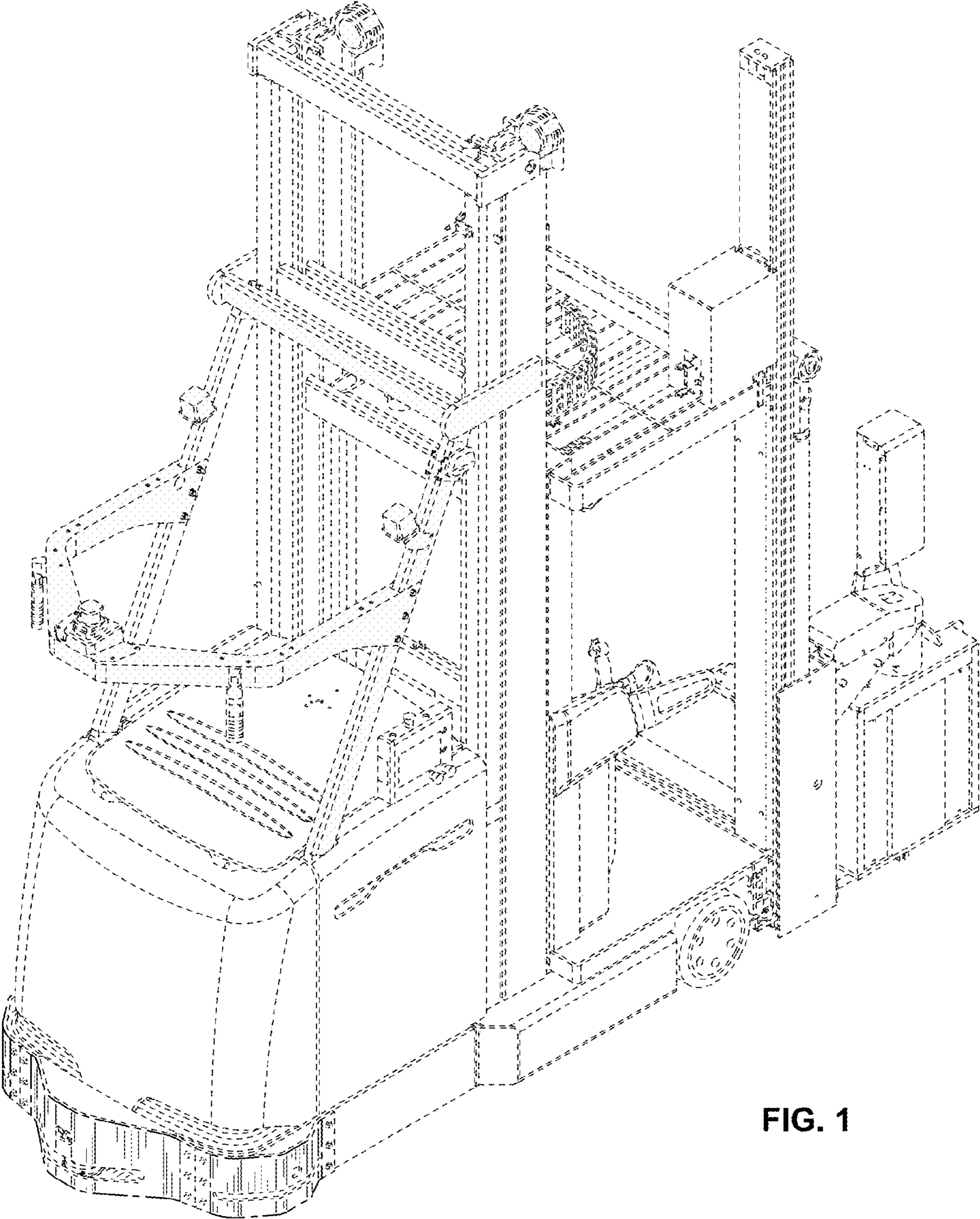


FIG. 1

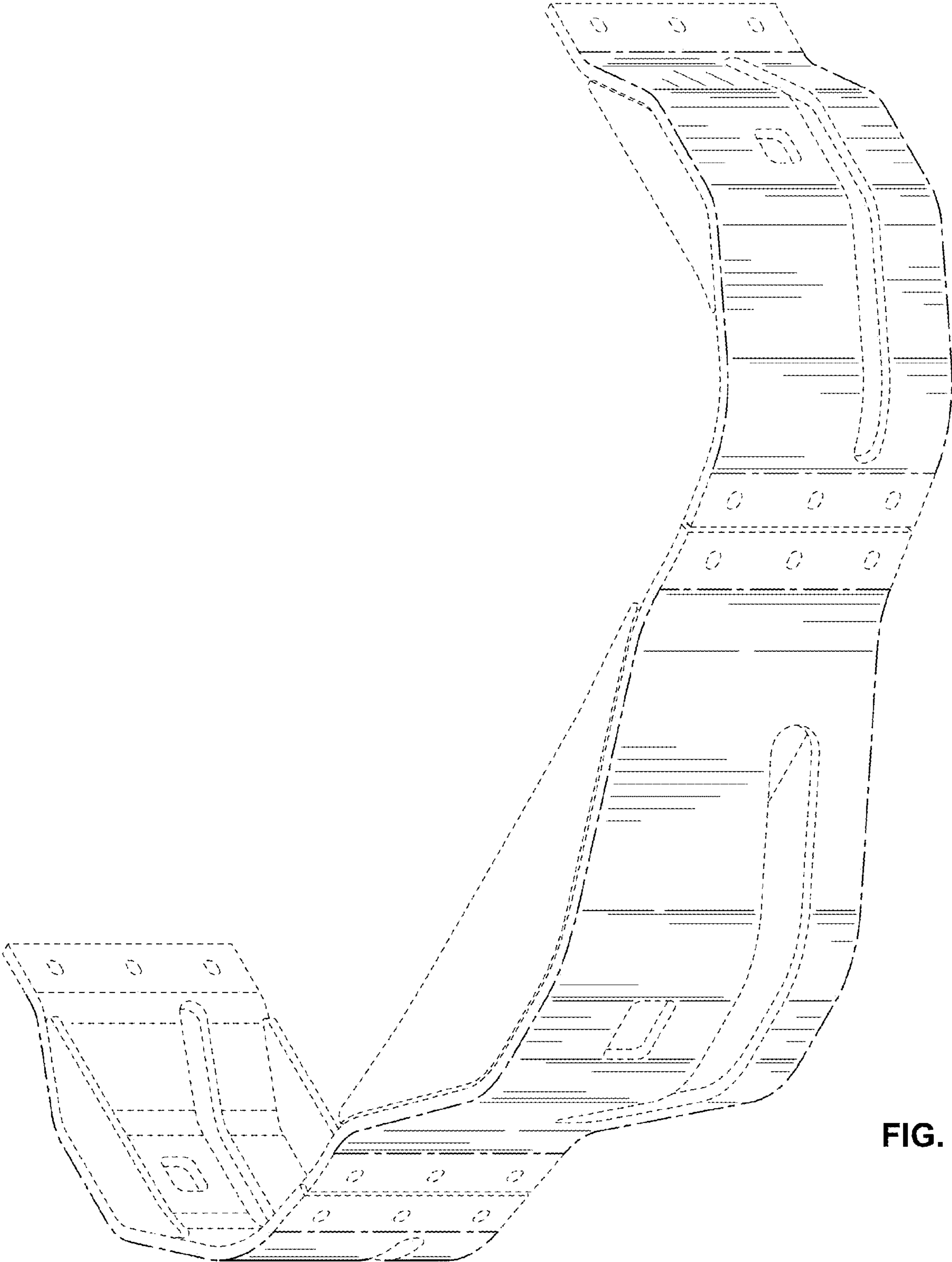


FIG. 2

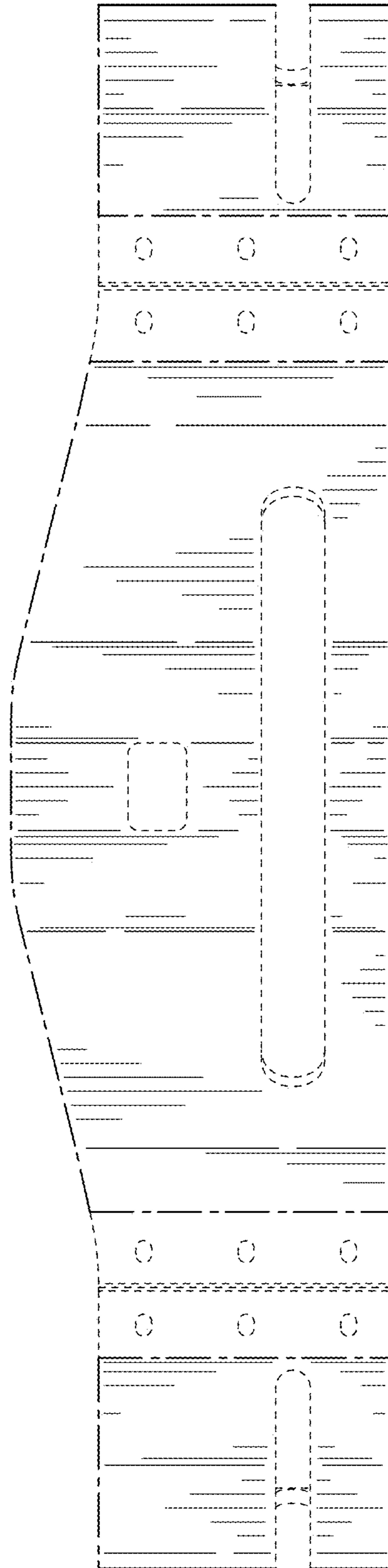


FIG. 3

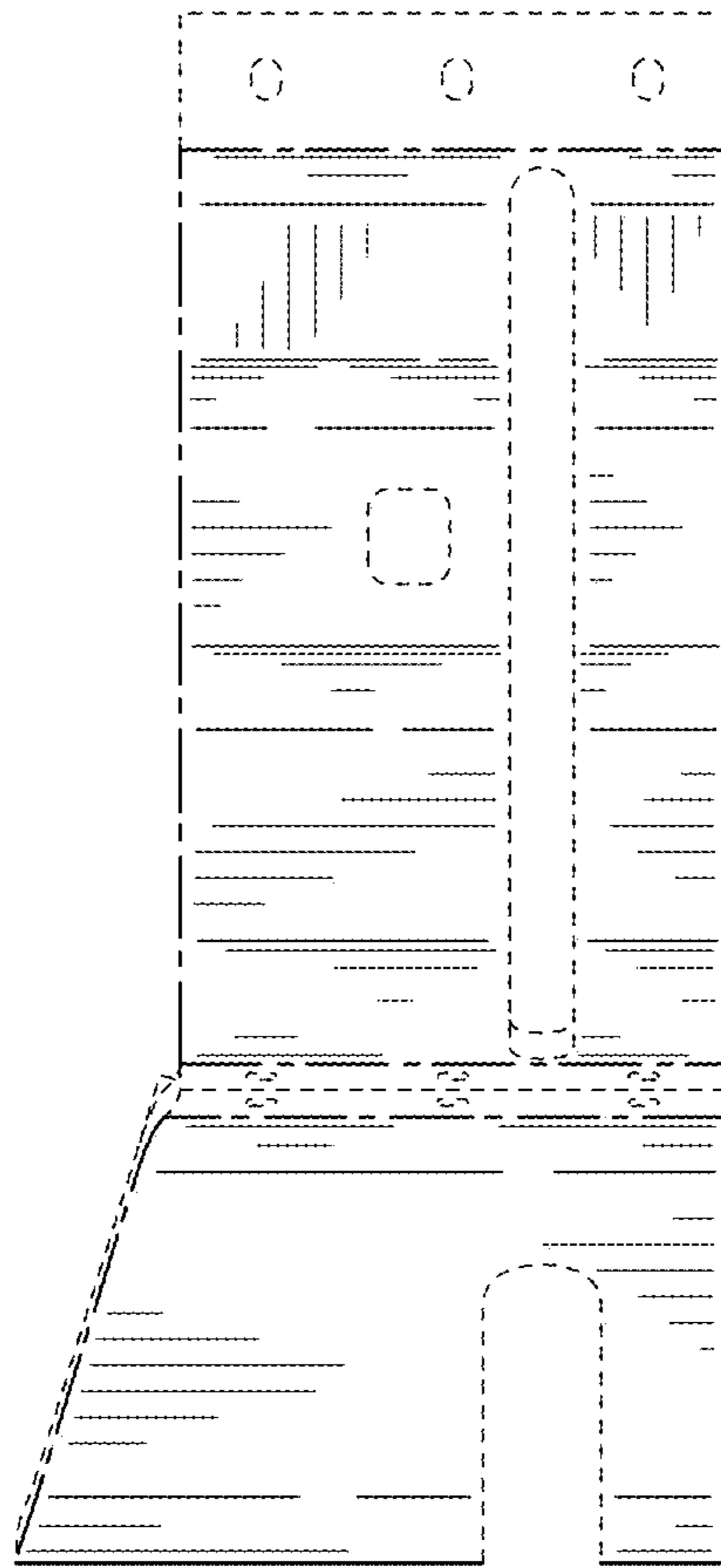


FIG. 4

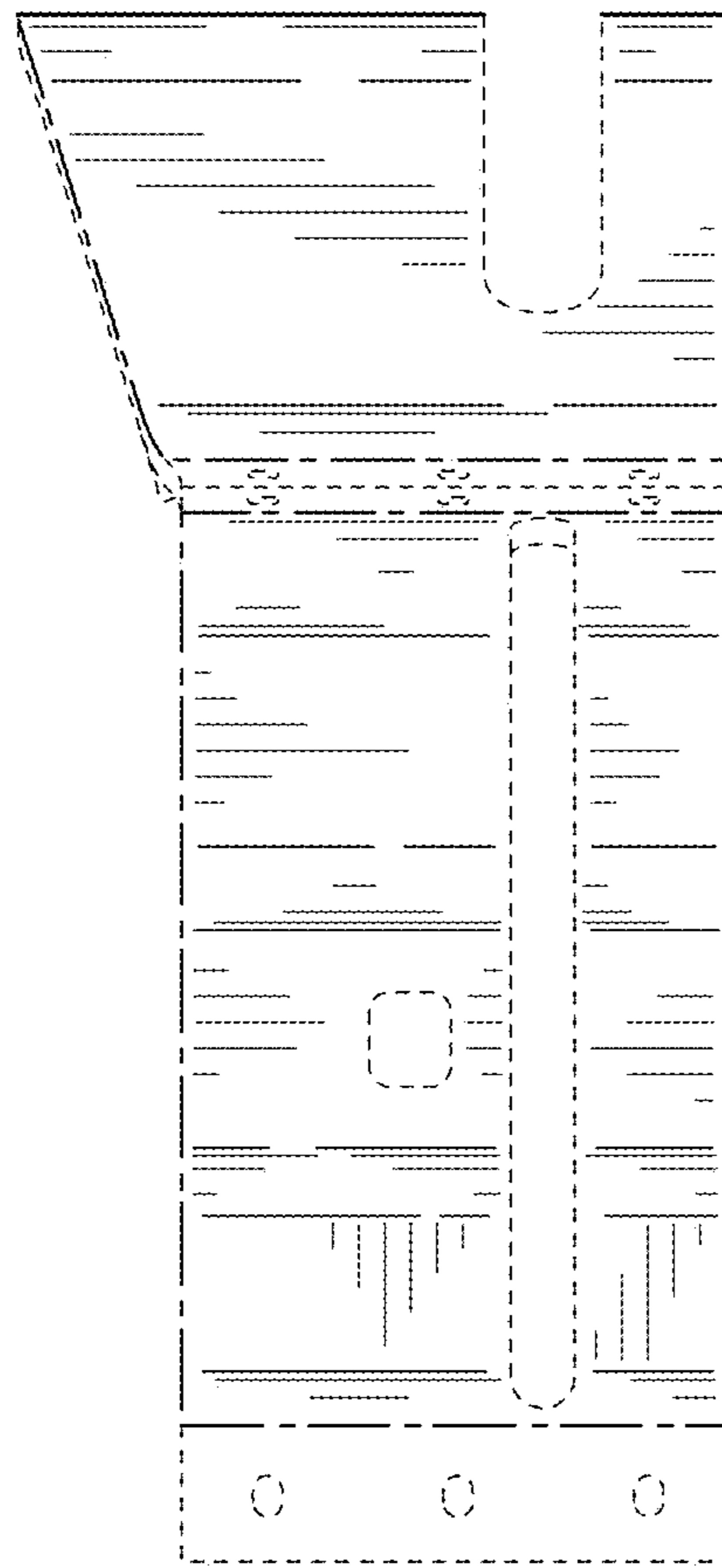


FIG. 5

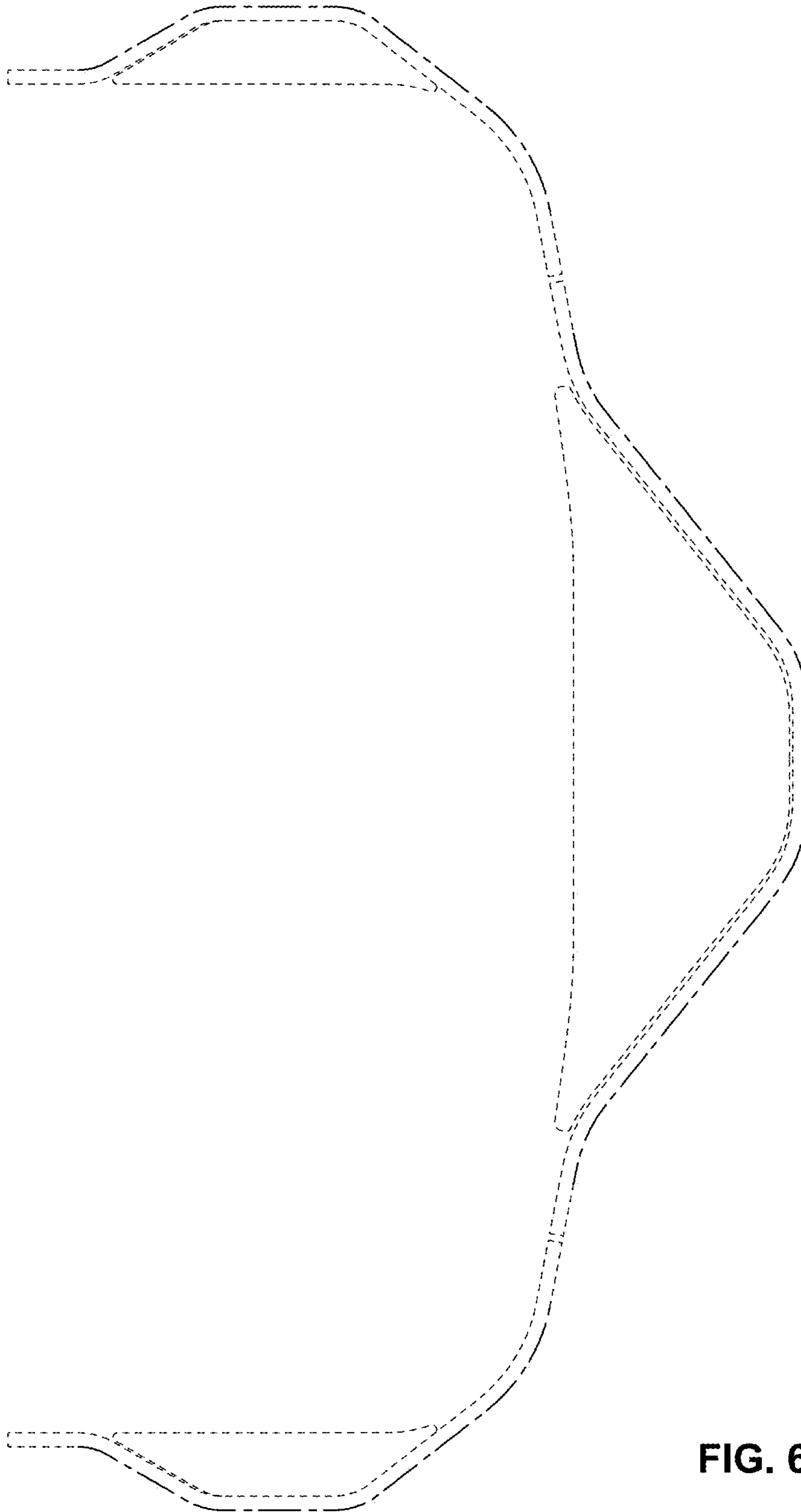


FIG. 6

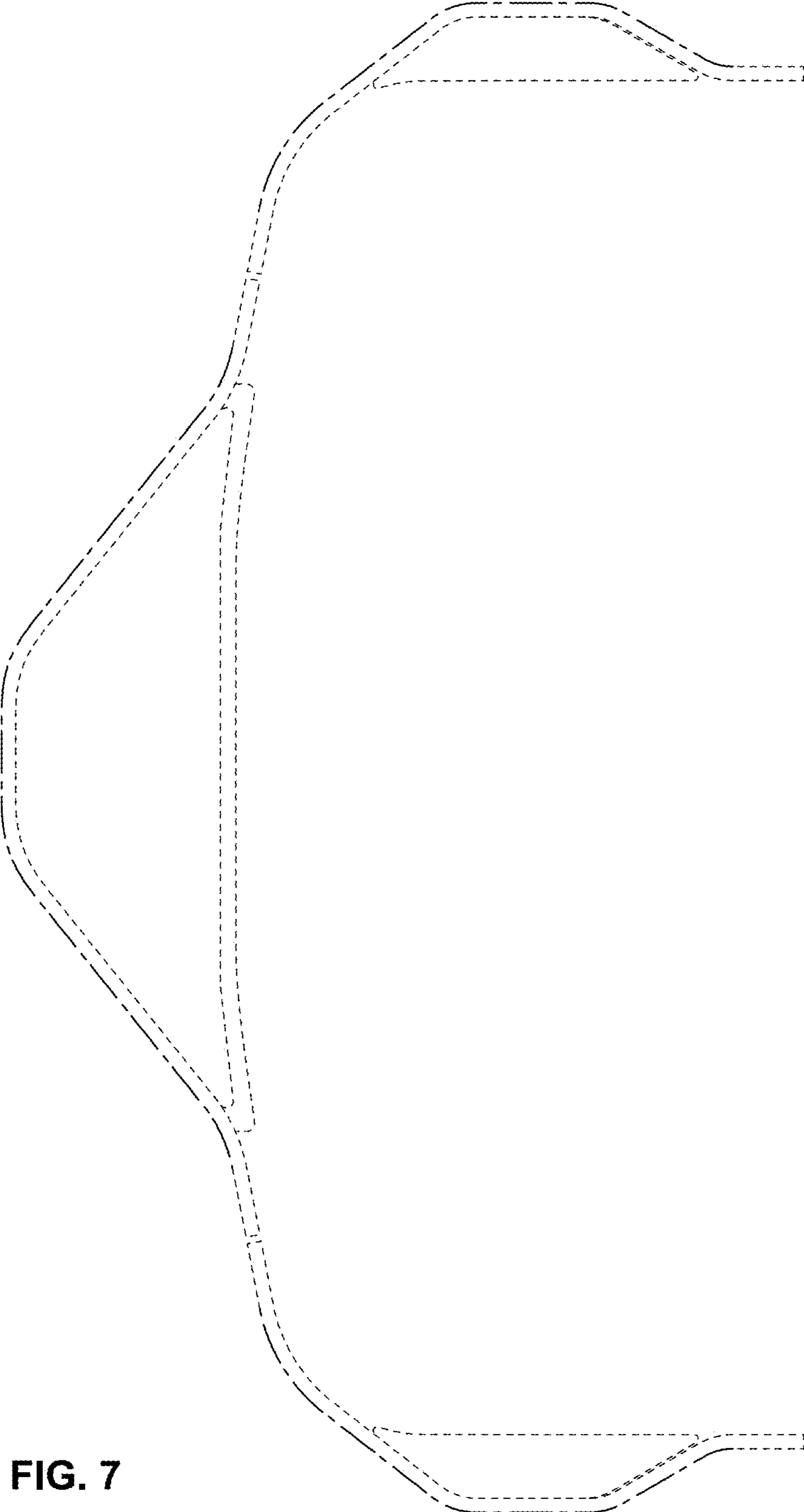


FIG. 7