



US00D910262S

(12) **United States Design Patent**  
**Tracy**

(10) **Patent No.:** **US D910,262 S**

(45) **Date of Patent:** **\*\* Feb. 9, 2021**

(54) **DEVICE ENCLOSURE**

(71) Applicant: **THE RAYMOND CORPORATION,**  
Greene, NY (US)

(72) Inventor: **Erik Tracy,** Johnson City, NY (US)

(73) Assignee: **The Raymond Corporation,** Greene,  
NY (US)

(\*\*) Term: **15 Years**

(21) Appl. No.: **29/686,681**

(22) Filed: **Apr. 5, 2019**

(51) **LOC (13) Cl.** ..... **12-05**

(52) **U.S. Cl.**  
USPC ..... **D34/35**

(58) **Field of Classification Search**  
USPC ..... D34/12-20, 23-28, 33-35, 37; D15/10,  
D15/23-33; D12/86, 90-92, 163, 164,  
D12/169, 171, 196, 216  
CPC ..... B60R 19/02; B60R 19/04; B60R 19/18;  
B60R 19/24; B60R 19/56; B60R  
2019/007; B62D 25/08  
See application file for complete search history.

(56) **References Cited**

**U.S. PATENT DOCUMENTS**

|            |   |         |          |       |        |
|------------|---|---------|----------|-------|--------|
| D395,115 S | * | 6/1998  | Russey   | ..... | D34/34 |
| D579,623 S | * | 10/2008 | Kim      | ..... | D34/34 |
| D663,502 S | * | 7/2012  | Lin      | ..... | D34/34 |
| D694,984 S | * | 12/2013 | Kawakami | ..... | D34/34 |
| D731,737 S | * | 6/2015  | Seimiya  | ..... | D34/34 |
| D752,310 S | * | 3/2016  | Wen      | ..... | D34/28 |
| D756,059 S | * | 5/2016  | Kang     | ..... | D34/34 |

|                 |   |        |         |       |             |
|-----------------|---|--------|---------|-------|-------------|
| D782,770 S      | * | 3/2017 | Kang    | ..... | D34/34      |
| D790,149 S      | * | 6/2017 | Kang    | ..... | D34/34      |
| D808,106 S      | * | 1/2018 | Wen     | ..... | D34/28      |
| D808,107 S      | * | 1/2018 | Wen     | ..... | D34/28      |
| 2020/0140137 A1 | * | 5/2020 | Harnack | ..... | B65D 5/6664 |

\* cited by examiner

*Primary Examiner* — George A Bugg

*Assistant Examiner* — Tamara L Hahn

(74) *Attorney, Agent, or Firm* — Quarles & Brady LLP

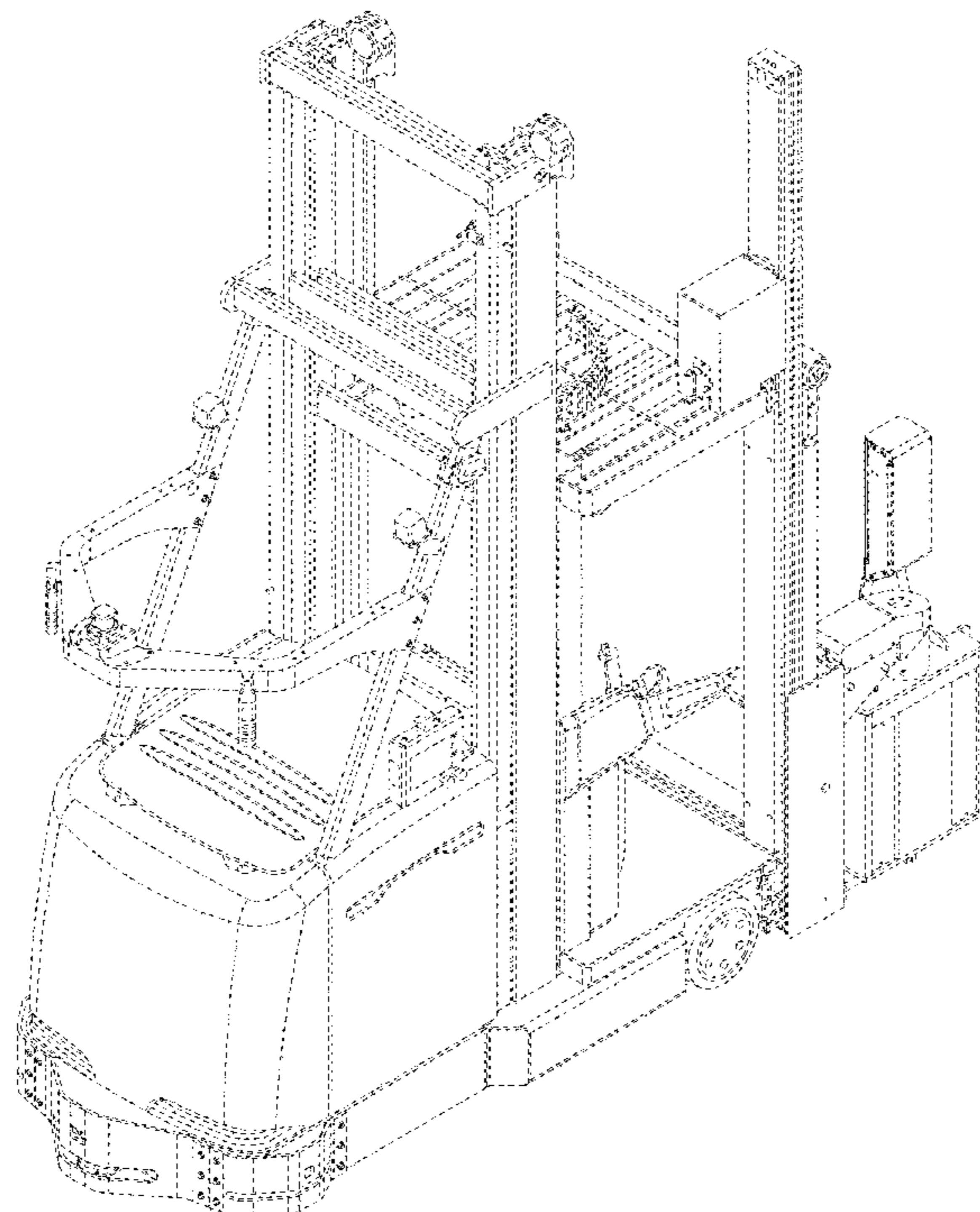
(57) **CLAIM**

The ornamental design for a device enclosure, as shown and described.

**DESCRIPTION**

FIG. 1 is a top, right, and rear isometric view of an ornamental design for a device enclosure;  
 FIG. 2 is a top, left, and front isometric view of the device enclosure of FIG. 1;  
 FIG. 3 is a top, right, and rear isometric view of the device enclosure of FIG. 1, wherein environmental portions have been removed for clarity;  
 FIG. 4 is a front elevational view of the device enclosure of FIG. 3;  
 FIG. 5 is a left side elevational view of the device enclosure of FIG. 3; and,  
 FIG. 6 is a right side elevational view of the device enclosure of FIG. 3.  
 The dash-dash-dash lines are included for the purpose of illustrating portions that form no part of the claimed design. The dash-dot-dash broken lines depict boundary lines and form no part of the claimed design.

**1 Claim, 6 Drawing Sheets**



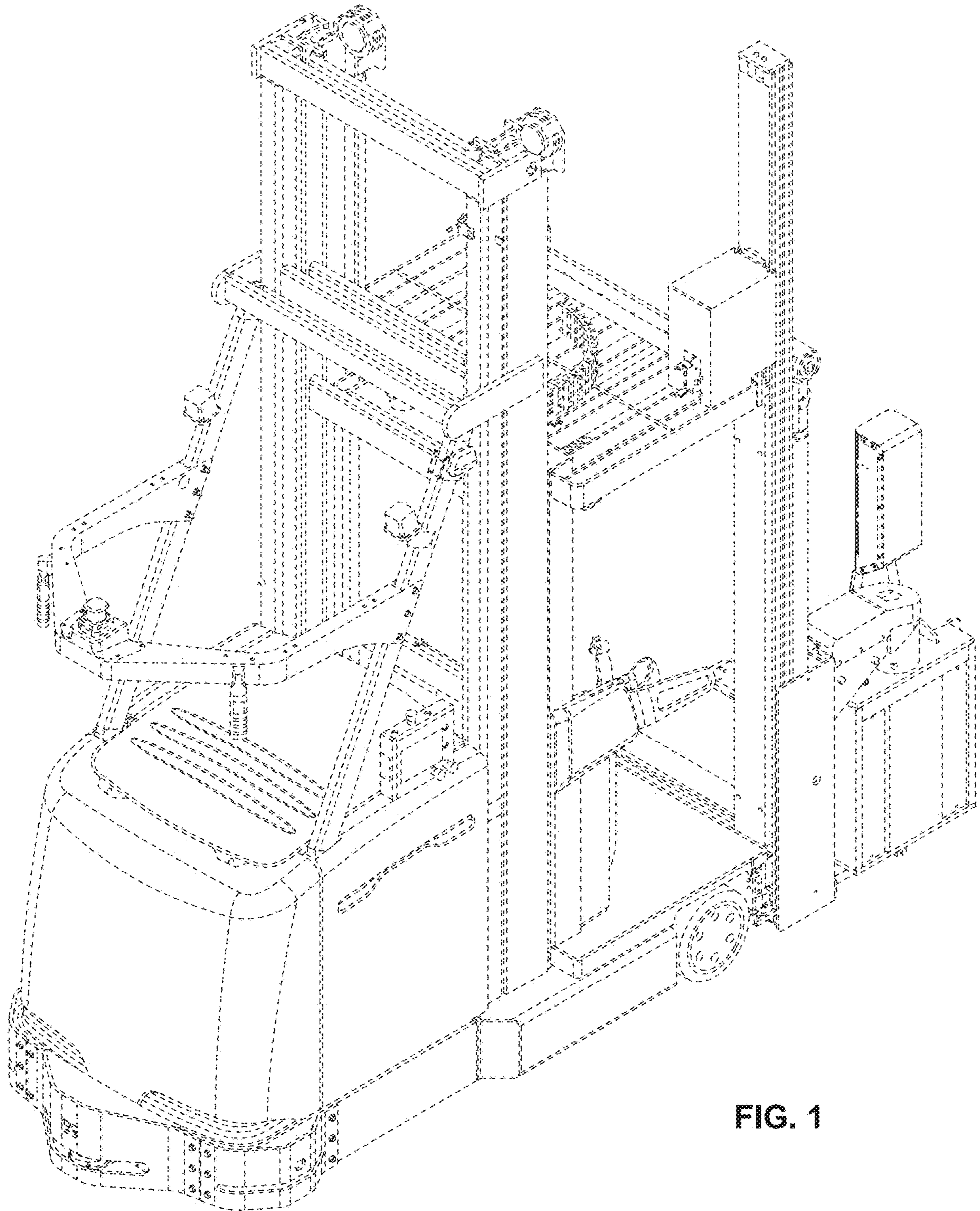


FIG. 1

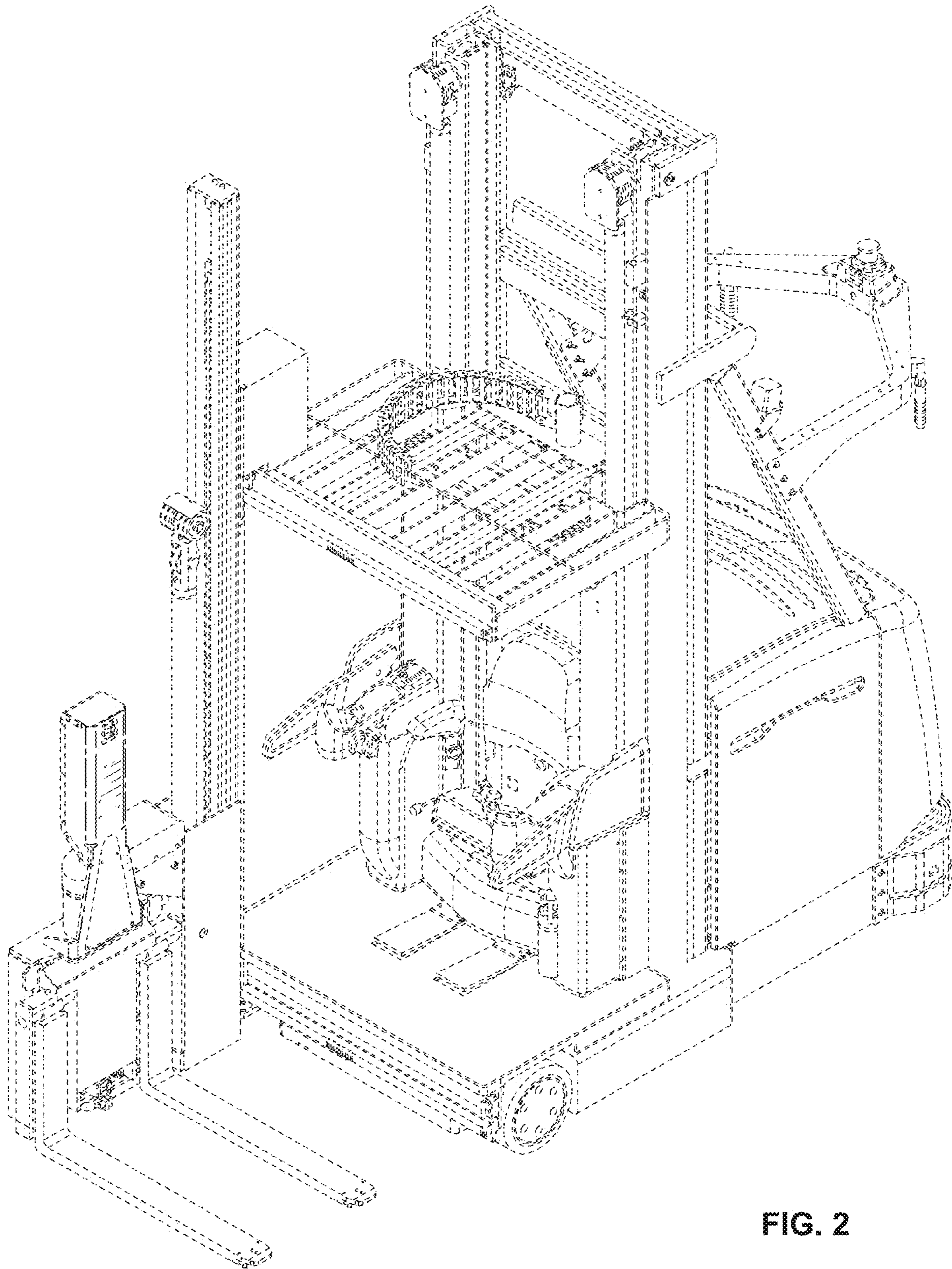


FIG. 2

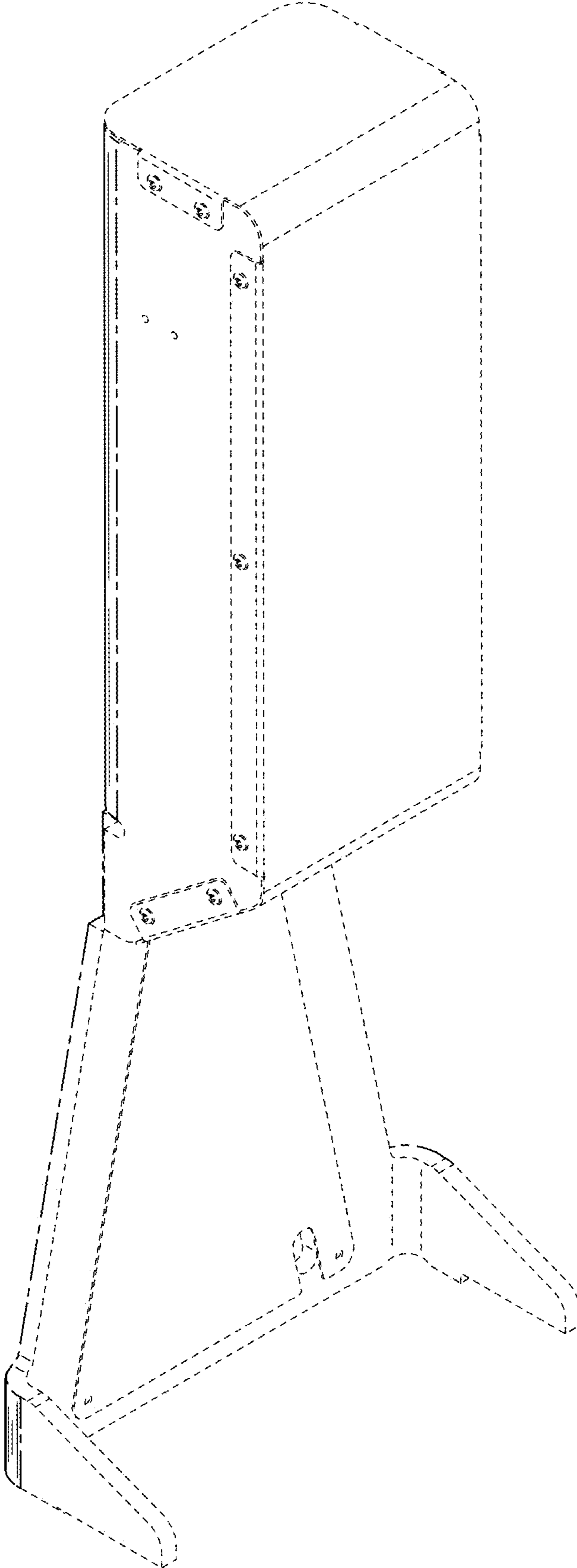


FIG. 3

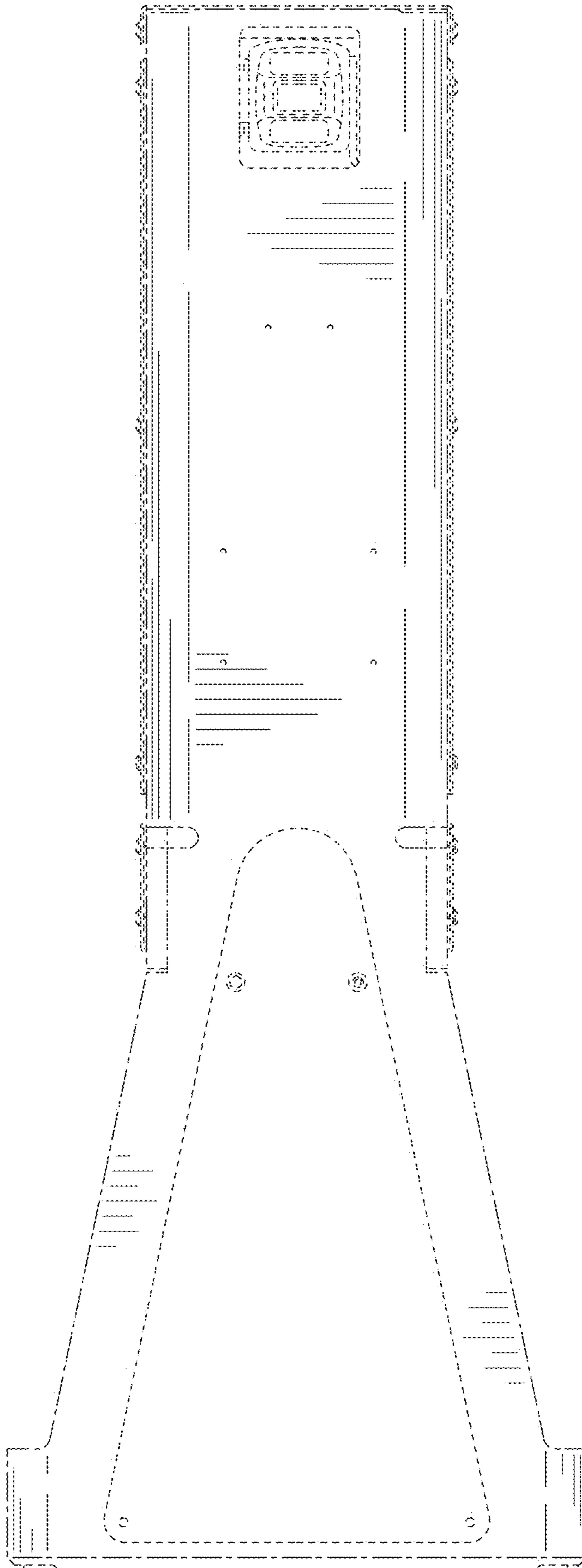


FIG. 4

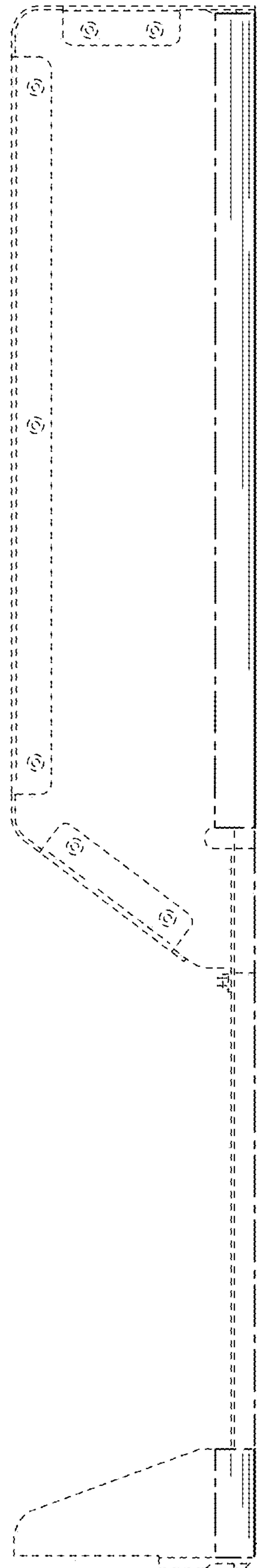


FIG. 5

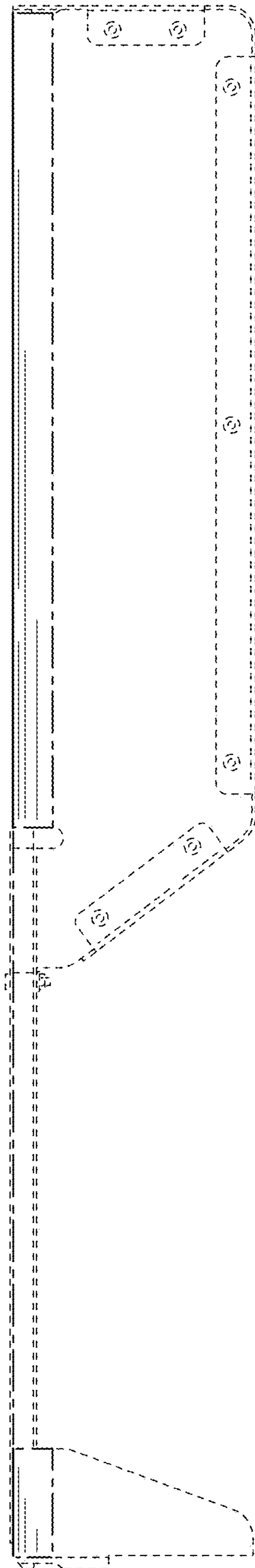


FIG. 6