



US00D910261S

(12) **United States Design Patent** (10) **Patent No.:** **US D910,261 S**
Slaughenhaupt (45) **Date of Patent:** **** Feb. 9, 2021**

(54) **COMBINED LITTER AND RECYCLING RECEPTACLE**

(71) Applicant: **VICTOR STANLEY, INC.**, Dunkirk, MD (US)

(72) Inventor: **Bryan Slaughenhaupt**, Deale, MD (US)

(73) Assignee: **VICTOR STANLEY, INC.**, Dunkirk, MD (US)

(**) Term: **15 Years**

(21) Appl. No.: **29/686,261**

(22) Filed: **Apr. 3, 2019**

(51) **LOC (13) Cl.** **09-09**

(52) **U.S. Cl.**
USPC **D34/1**

(58) **Field of Classification Search**
USPC D34/1-11; D9/737, 738, 770, 772, 777, D9/778; D7/603, 604, 605, 608
CPC B65F 1/00; B65F 1/163; B65F 1/1638; B65F 1/0033; B65F 1/16; B65F 1/122; B65F 2001/1489; B65F 2240/132; Y10S 220/908; A01K 1/001
See application file for complete search history.

(56) **References Cited**

U.S. PATENT DOCUMENTS

D517,761 S *	3/2006	Yang	D34/7
D559,494 S *	1/2008	Yang	D34/7
D629,657 S *	12/2010	Carreno	D7/629
D661,857 S	6/2012	Skalka		
D671,289 S	11/2012	Skalka		
D671,290 S *	11/2012	Vanhoof	D34/9
D685,231 S *	7/2013	Lane	D7/629
D719,313 S *	12/2014	Kao	D34/7
D737,014 S *	8/2015	Wall	D34/9
D774,269 S *	12/2016	Spadotto	D34/8

D783,919 S	4/2017	Slaughenhaupt et al.	
D785,269 S	4/2017	Slaughenhaupt et al.	
D786,025 S *	5/2017	Seiders D7/624.2
D800,405 S	10/2017	Slaughenhaupt et al.	
D803,505 S *	11/2017	Duvigneau D34/9
D804,759 S	12/2017	Slaughenhaupt et al.	

(Continued)

OTHER PUBLICATIONS

U.S. Appl. No. 29/686,261, filed Apr. 3, 2019, Bryan Slaughenhaupt, Letter Recycling and Receptacle.

(Continued)

Primary Examiner — George A Bugg

Assistant Examiner — Tamara L Hahn

(74) *Attorney, Agent, or Firm* — Westerman, Hattori, Daniels & Adrian, LLP

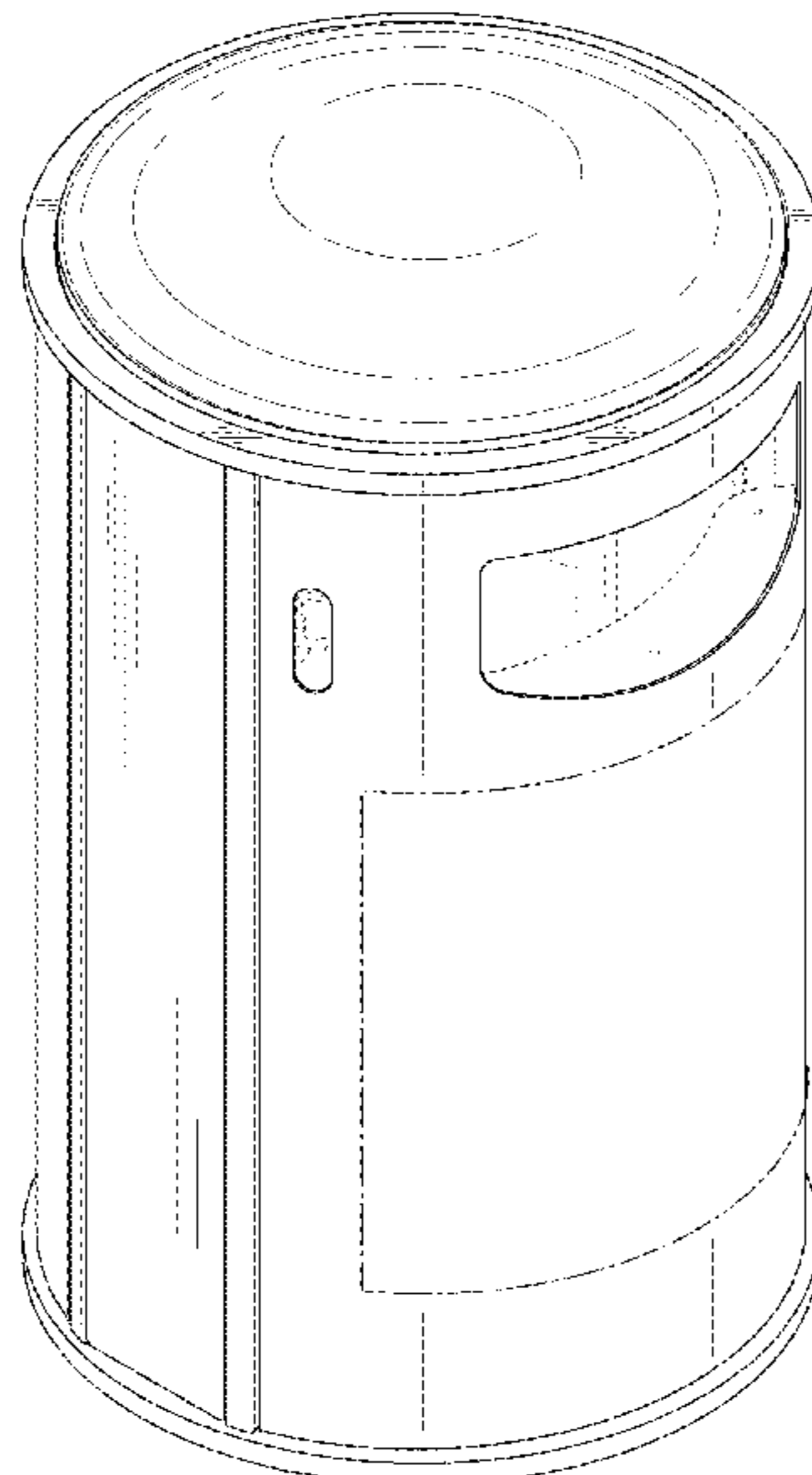
(57) **CLAIM**

The ornamental design for a combined litter and recycling receptacle, as shown and described.

DESCRIPTION

FIG. 1 is a top perspective view of a combined litter and recycling receptacle, showing my new design; FIG. 2 is a bottom perspective view thereof; FIG. 3 is a front elevational view thereof; FIG. 4 is a rear elevational view thereof; FIG. 5 is a right side elevational view thereof; FIG. 6 is a left side elevational view thereof; FIG. 7 is a top plan view thereof; FIG. 8 is a bottom plan view thereof; and, FIG. 9 is a top perspective view thereof, shown a side of the combined litter and recycling receptacle in an open state. The broken lines in the figures show portions of the combined litter and recycling receptacle which form no part of the claimed design. The dot-dash broken lines are to show boundaries and form no part of the claimed design.

1 Claim, 9 Drawing Sheets



(56)

References Cited

U.S. PATENT DOCUMENTS

D830,787 S * 10/2018 Petrillo D7/624.2
D839,679 S * 2/2019 Yuki D7/603
2008/0116207 A1* 5/2008 Yang B65F 1/06
220/495.11
2009/0020533 A1* 1/2009 Barber B65D 25/14
220/495.06

OTHER PUBLICATIONS

U.S. Appl. No. 29/703,741, filed Aug. 29, 2019, Bryan Slaughenhaupt,
Letter Recycling and Receptacle.

"Litter Receptacles," https://www.victorstanley.com/product-category/product-type/litter-receptacles/?view_per=all [online], Accessed on Jun. 20, 2019, Victor Stanley, Inc. (8 pages).

* cited by examiner

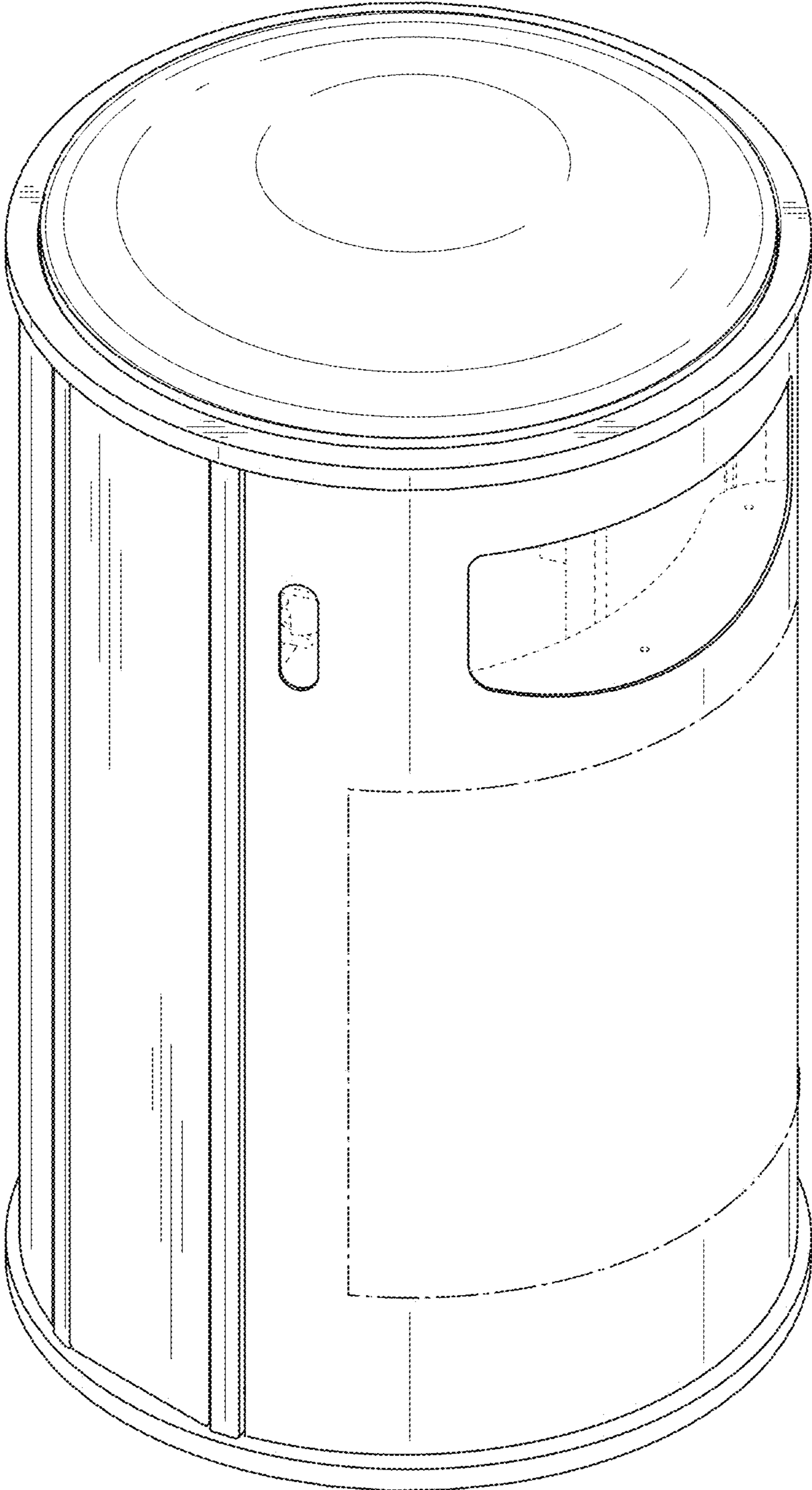


FIG. 1

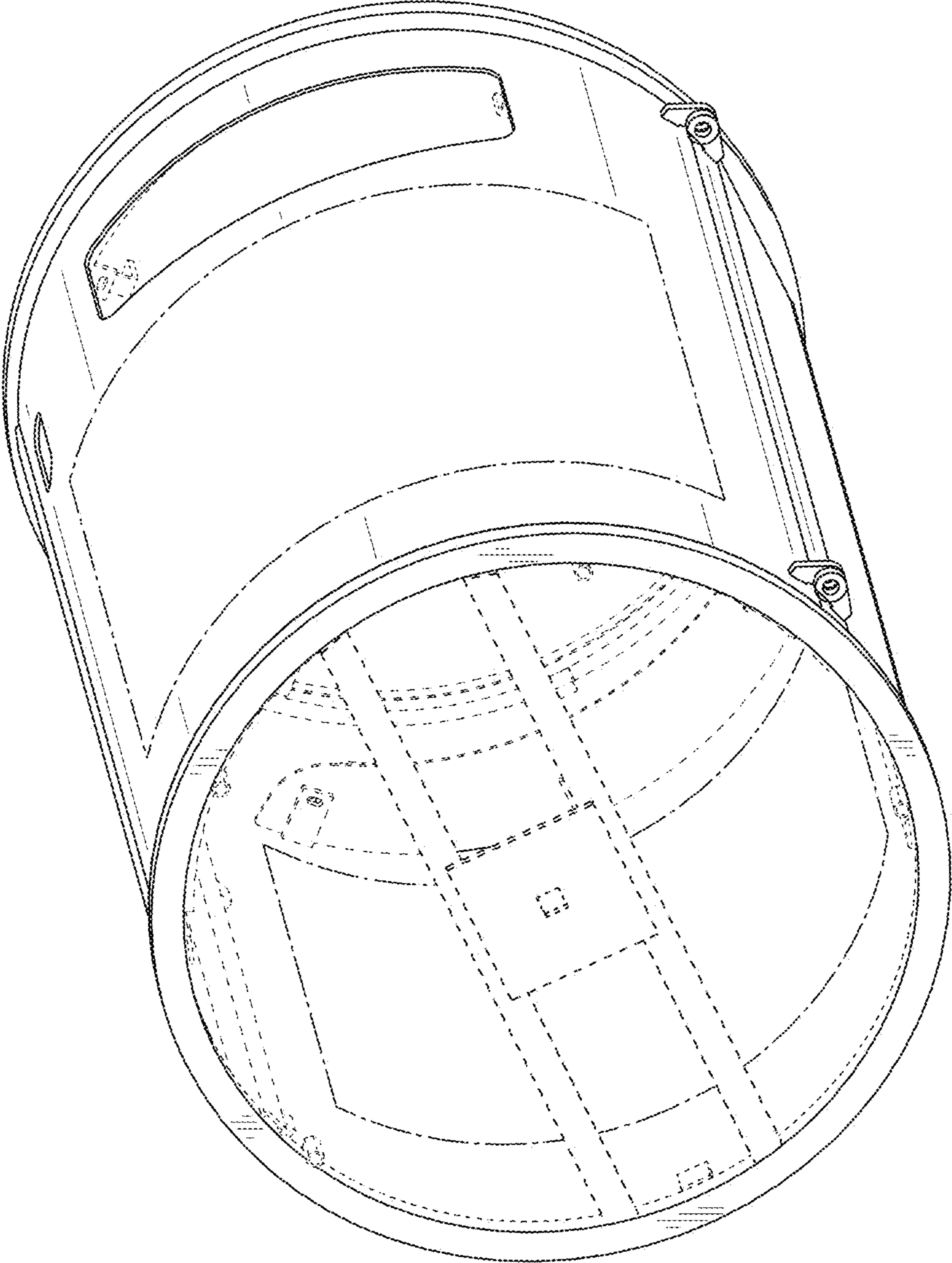


FIG. 2

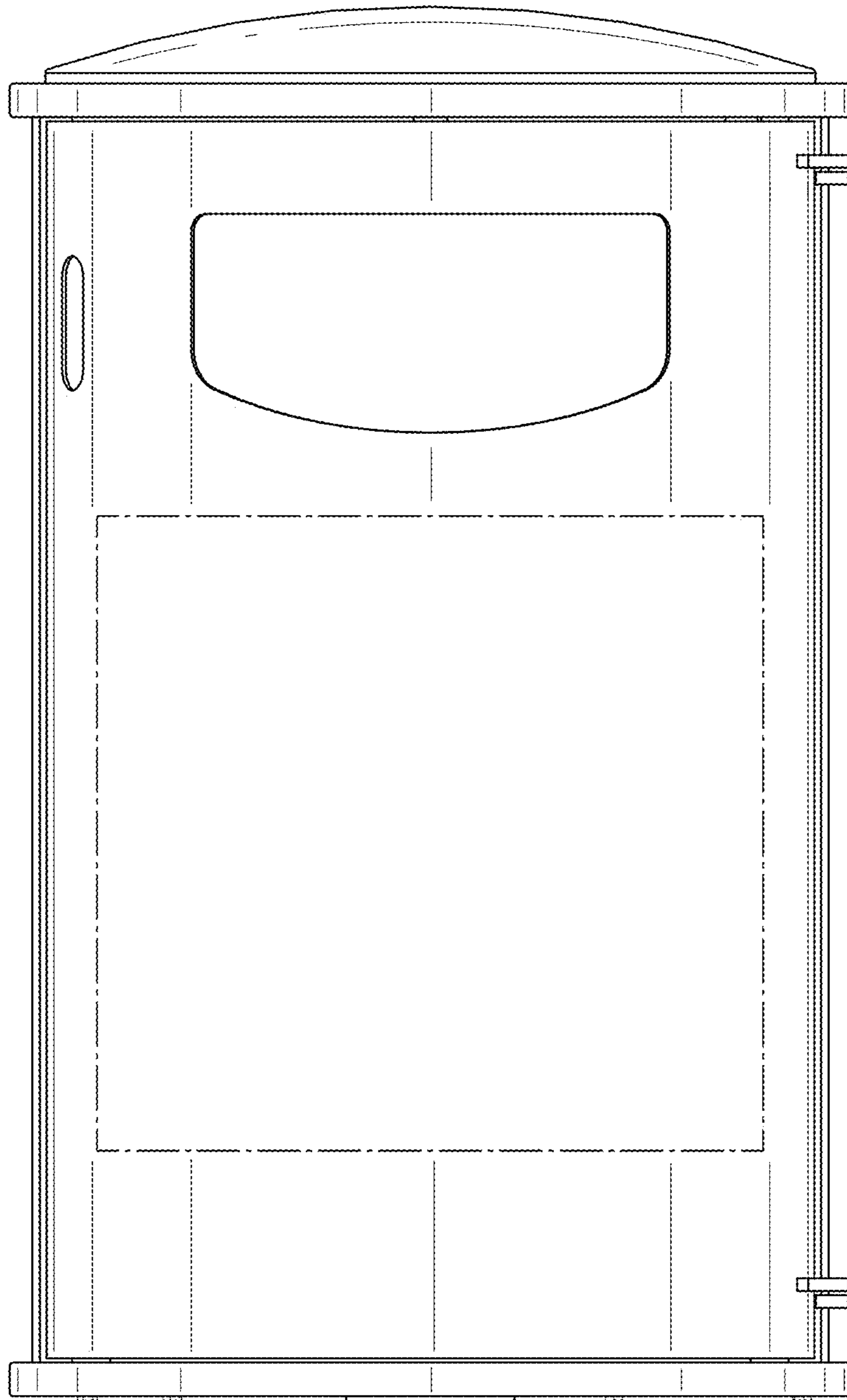


FIG. 3

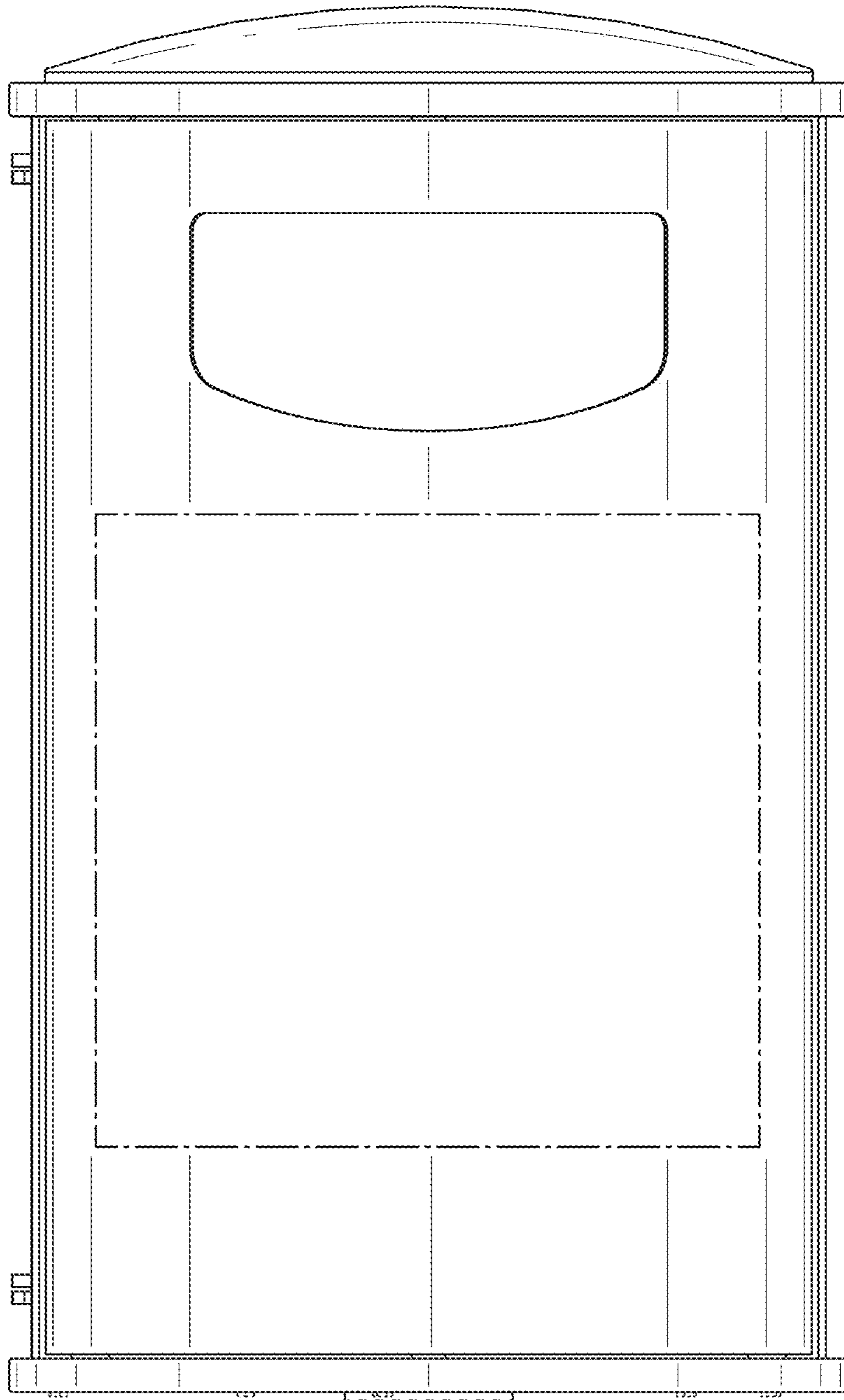


FIG. 4

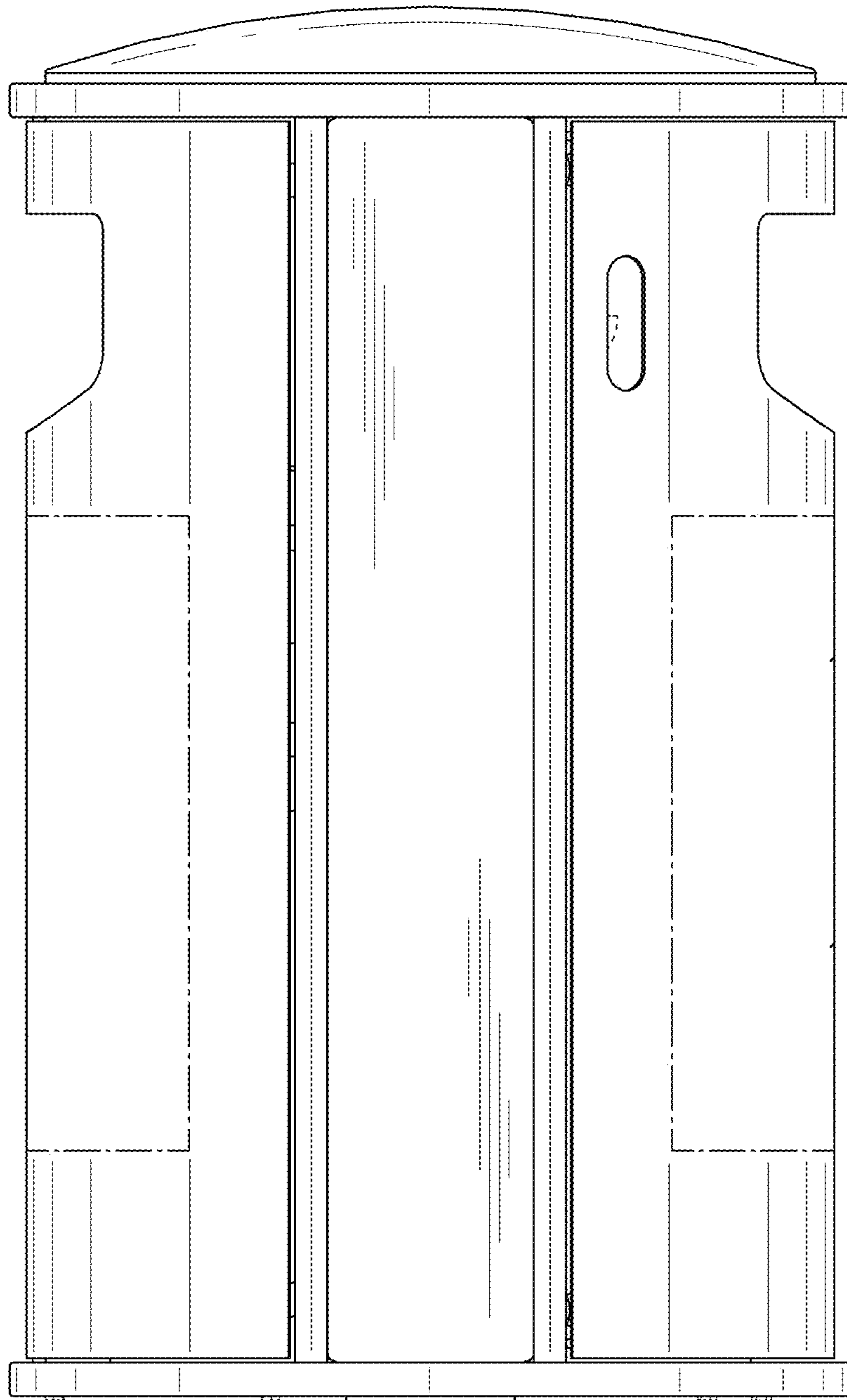


FIG. 5

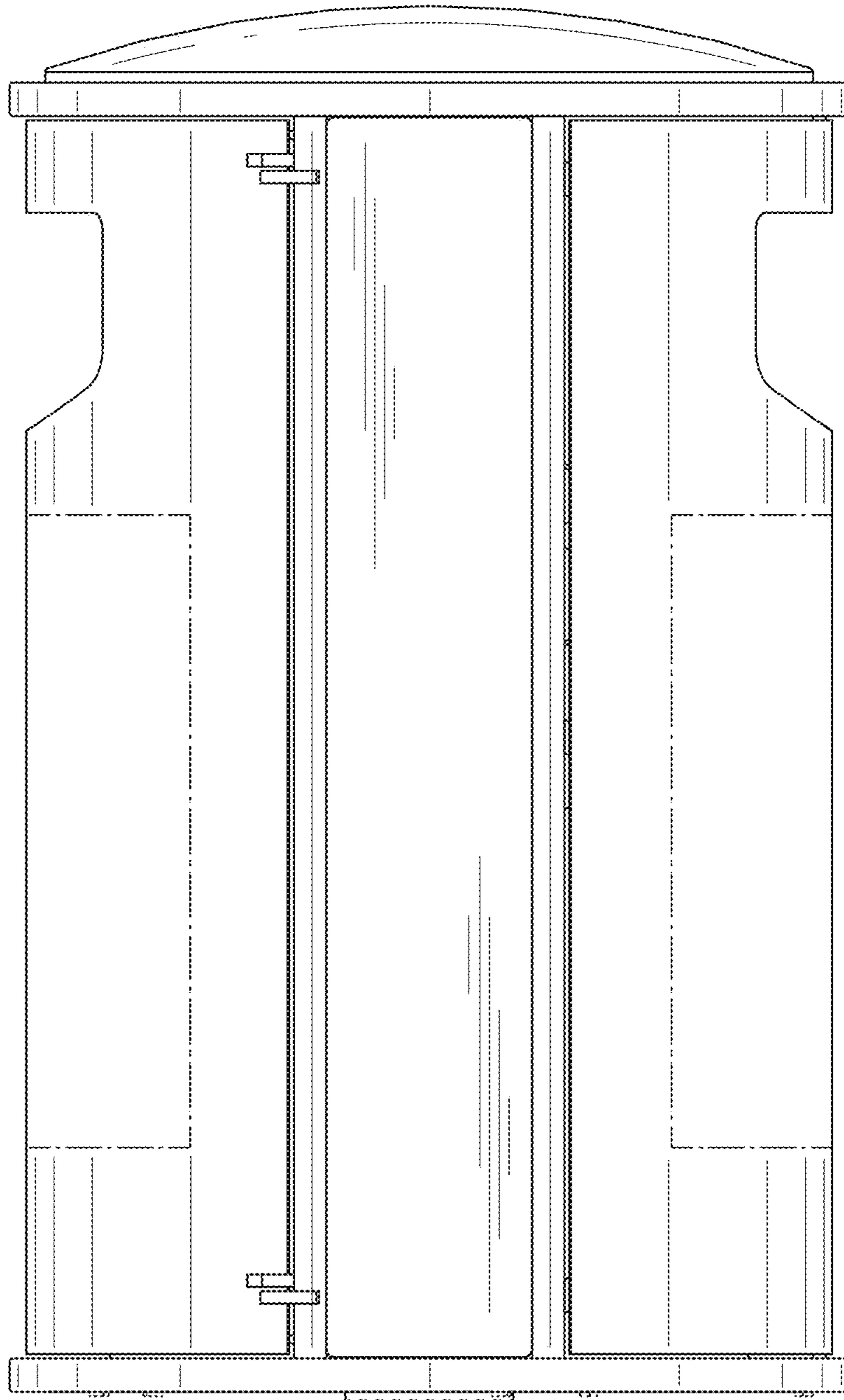


FIG. 6

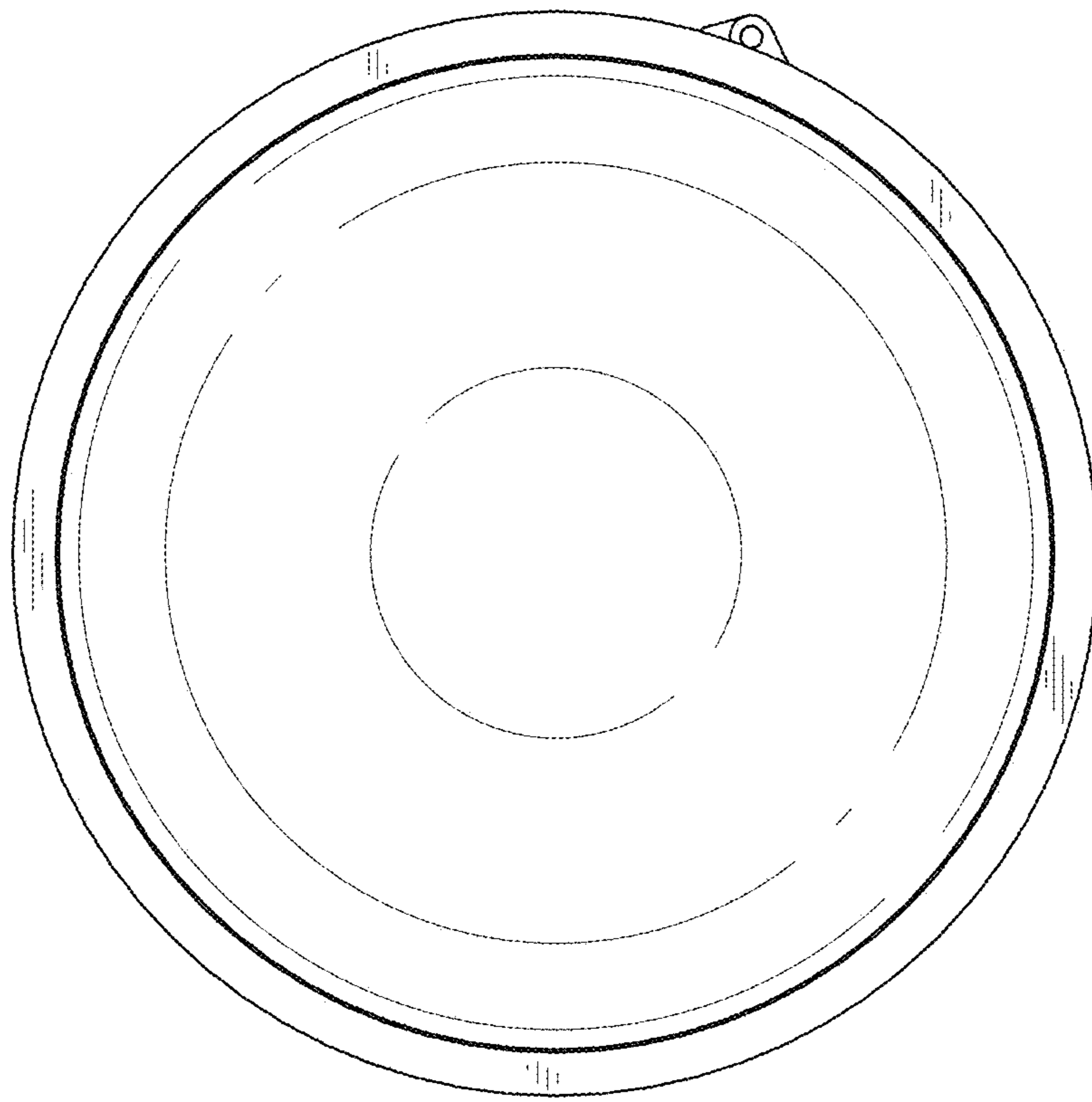


FIG. 7

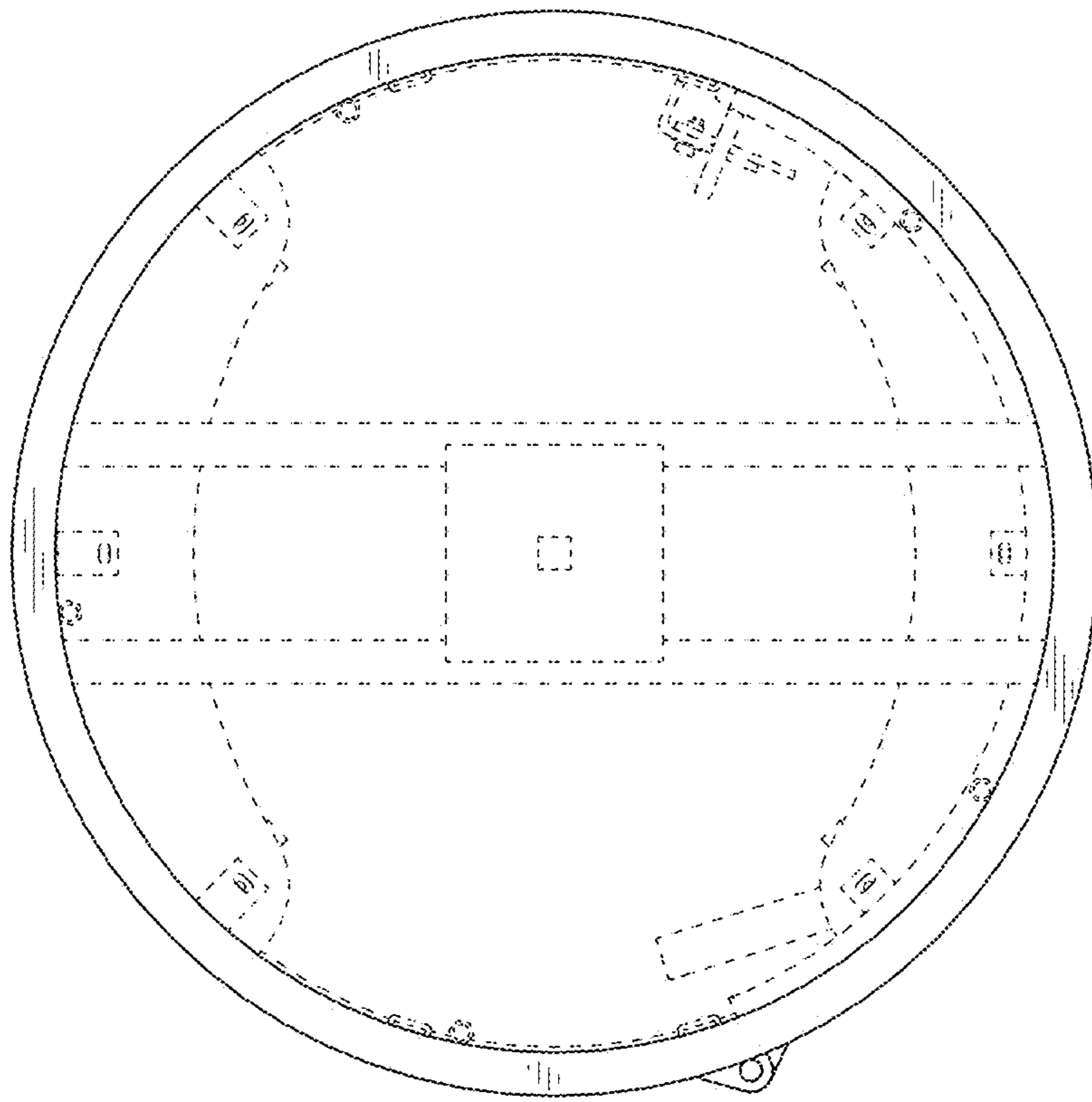


FIG. 8

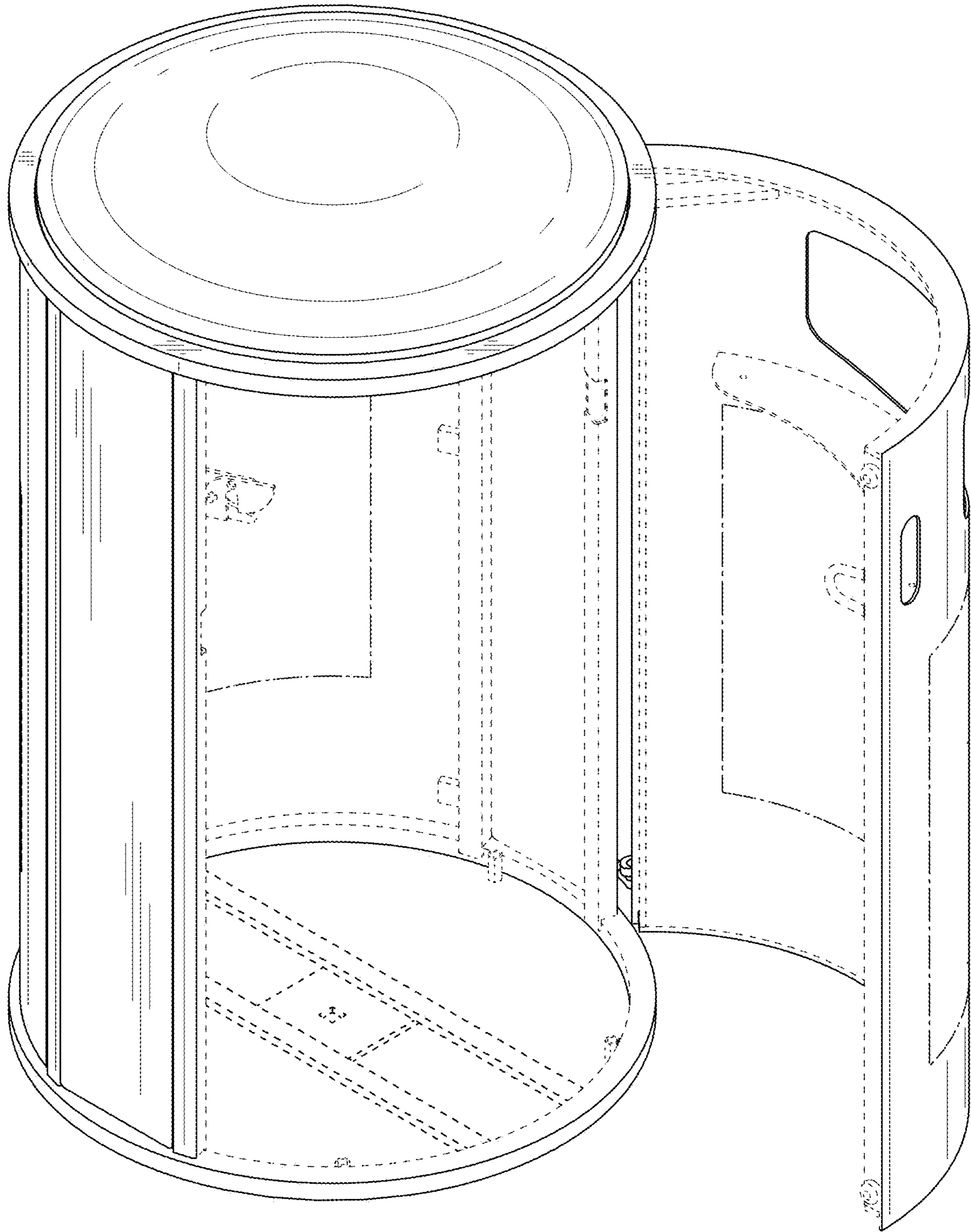


FIG. 9