



US00D910257S

(12) **United States Design Patent**
Schneider et al.

(10) **Patent No.:** **US D910,257 S**
(45) **Date of Patent:** **** Feb. 9, 2021**

(54) **FLOOR CLEANING DEVICE**
(71) Applicant: **Alfred Kaercher SE & Co. KG**,
Winnenden (DE)
(72) Inventors: **Felix Schneider**, Stuttgart (DE);
Michael Meyer, Schwaikheim (DE)
(73) Assignee: **Alfred Kaercher SE & Co. KG**,
Winnenden (DE)
(**) Term: **15 Years**
(21) Appl. No.: **29/701,222**

3,774,257 A * 11/1973 Smyth A47L 11/4041
15/48
3,786,532 A * 1/1974 Lindsay A47L 9/04
15/364
3,800,351 A * 4/1974 Fukuba A47L 11/33
15/41.1
4,489,457 A * 12/1984 Deimel A47L 11/33
15/41.1
D285,735 S * 9/1986 Hanyu D32/38
D293,142 S * 12/1987 Kubota D32/38
4,929,345 A * 5/1990 Meador A47L 11/33
15/105
D346,470 S * 4/1994 Zahuranec D32/38
D349,793 S * 8/1994 Zahuranec D32/38
D391,708 S * 3/1998 Canavan D32/38
(Continued)

(22) Filed: **Aug. 9, 2019**
(30) **Foreign Application Priority Data**
Feb. 18, 2019 (WO) 80438
(51) **LOC (13) Cl.** **07-05**
(52) **U.S. Cl.**
USPC **D32/38**
(58) **Field of Classification Search**
USPC D32/17-24, 31-34, 38, 39
CPC A47L 9/02; A47L 9/04; A47L 9/06; A47L
9/0461; A47L 9/325; A47L 5/362; A47L
5/365; A47L 5/30; A47L 5/36; A47L
5/28; A47L 5/32; A47L 11/4044; A47L
11/302; A47L 13/26; A47L 13/40; A47L
13/36; A47L 13/38; A47L 11/33; A47L
11/32; A47L 7/02; A47L 11/34; A47L
11/4025
See application file for complete search history.

(56) **References Cited**
U.S. PATENT DOCUMENTS
3,159,860 A * 12/1964 Colver A47L 11/4013
15/41.1
3,268,936 A * 8/1966 Fukuba A47L 11/4025
15/41.1

OTHER PUBLICATIONS

<https://www.kaercher.com/us/home-garden/cordless-electric-brooms/kb-5-cordless-electric-broom-12580190.html> (Year: 2020).*
(Continued)

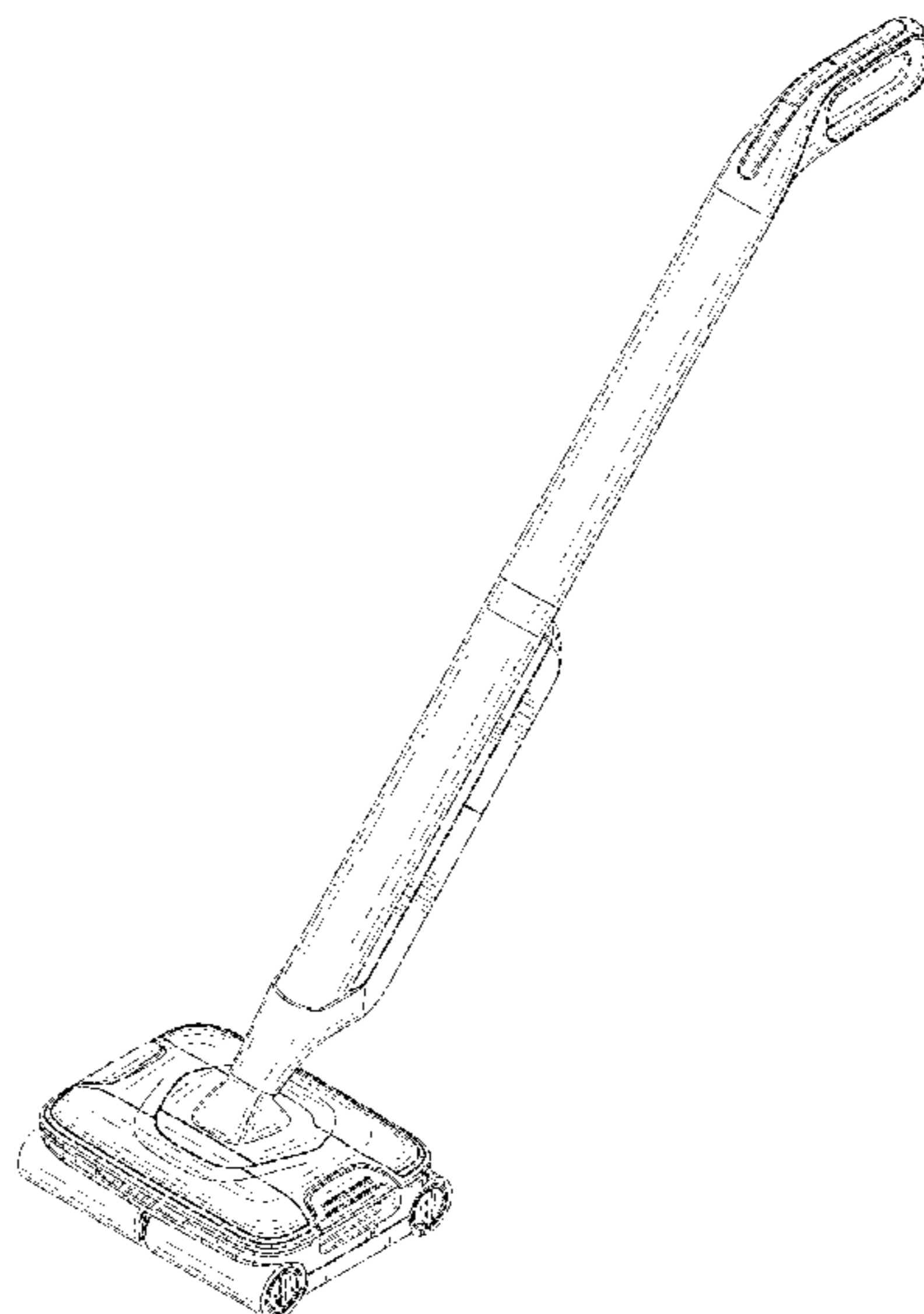
Primary Examiner — Michelle E. Wilson
Assistant Examiner — Richard E Yenchesky
(74) *Attorney, Agent, or Firm* — Lipsitz & McAllister,
LLC

(57) **CLAIM**
The ornamental design for a floor cleaning device, as shown
and described.

DESCRIPTION

FIG. 1 is a front, top and left side perspective view of a floor
cleaning device showing the new design;
FIG. 2 is a front, top and right side perspective view thereof;
FIG. 3 is a front elevational view thereof;
FIG. 4 is a rear elevational view thereof;
FIG. 5 is a right side elevational view thereof;
FIG. 6 is a left side elevational view thereof; and,
FIG. 7 is a top plan view thereof.

1 Claim, 7 Drawing Sheets



(56)

References Cited

U.S. PATENT DOCUMENTS

D398,096	S *	9/1998	Gildersleeve	D32/22
D498,888	S *	11/2004	Archer	D32/25
D549,910	S *	8/2007	Bouhuys	D32/38
D635,728	S *	4/2011	Fjellman	D32/22
D653,414	S *	1/2012	Genoa	D32/38
D682,496	S *	5/2013	Bassett	D32/22
D833,092	S *	11/2018	Samtani	D32/22
10,252,409	B2 *	4/2019	Pruiett	A47L 11/4013
D855,271	S *	7/2019	Liang	D32/50
D858,016	S *	8/2019	Casini	D32/15
D869,793	S *	12/2019	Casini	D32/15
D877,434	S *	3/2020	Burgess	D32/31
2003/0159223	A1 *	8/2003	Plankenhorn	A47L 11/4072 15/52.1
2014/0250619	A1 *	9/2014	Policicchio	A47L 13/16 15/231

OTHER PUBLICATIONS

<https://www.webstaurantstore.com/bissell-commercial-bg9100nm-cordless-electric-single-brush-floor-sweeper/207BG9100NM.html> (Year: 2020).*

* cited by examiner

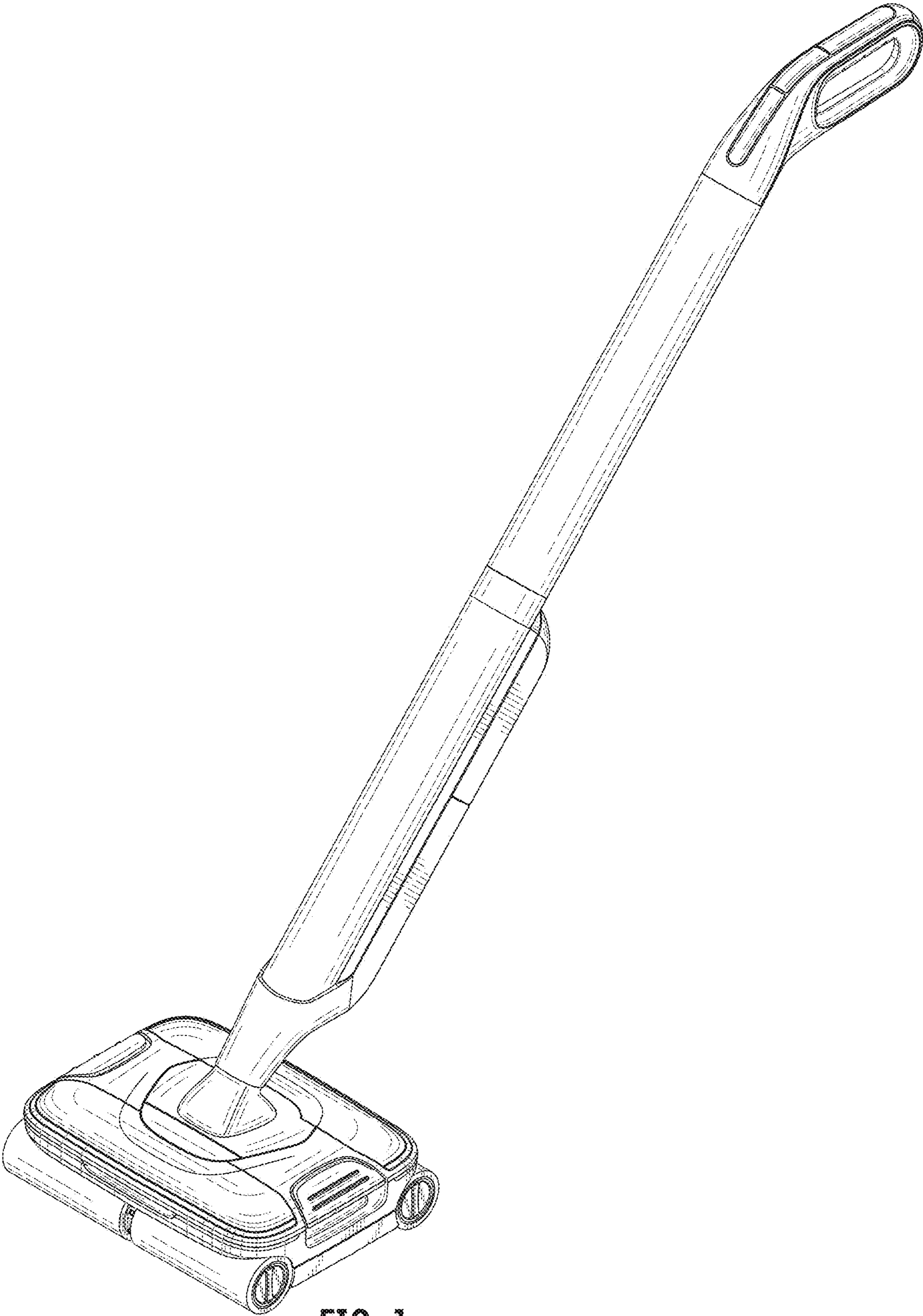


FIG. 1

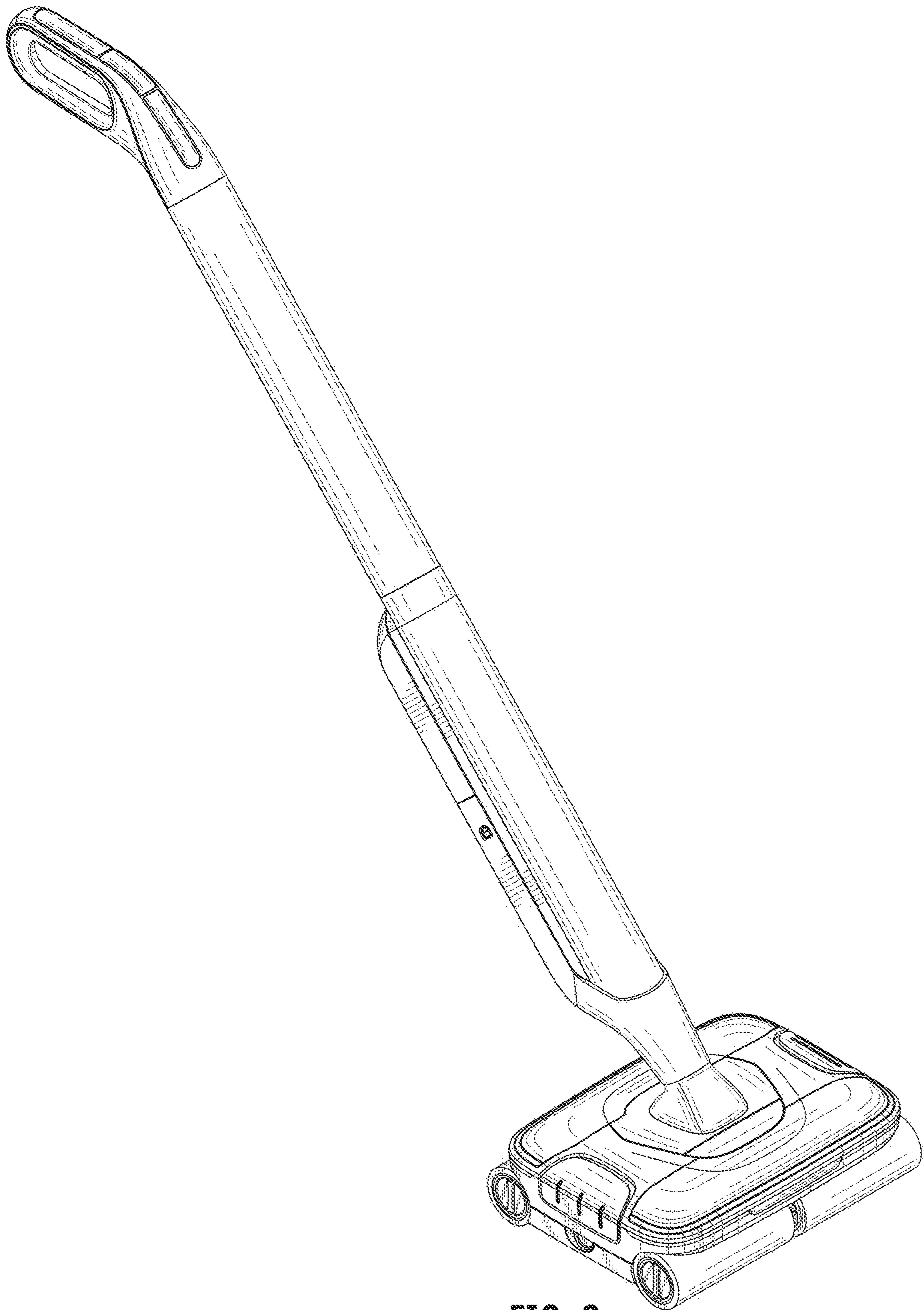


FIG. 2

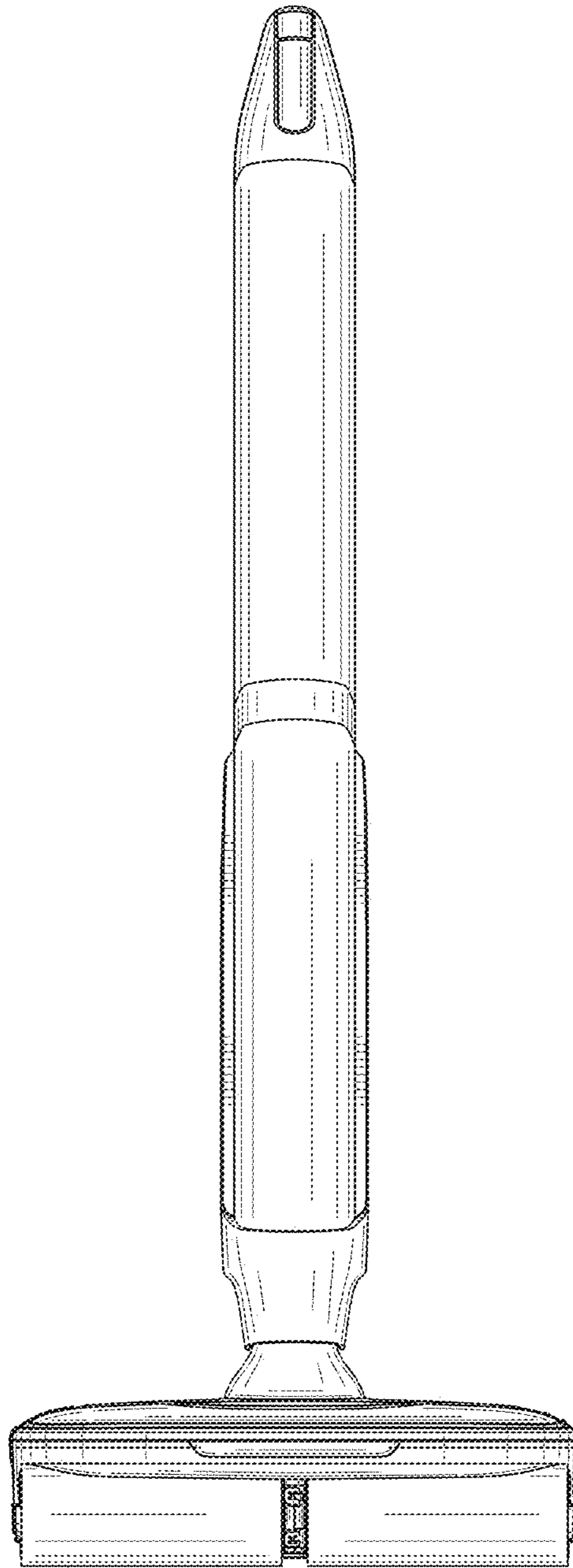


FIG. 3

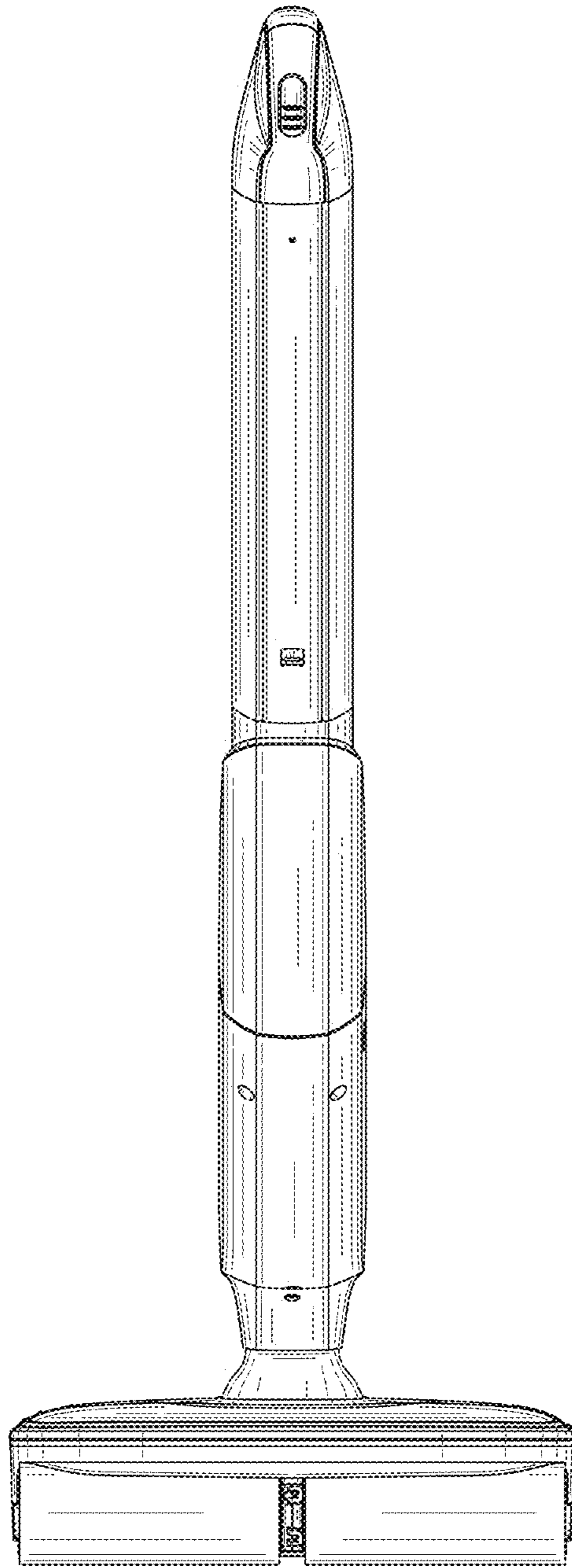


FIG. 4

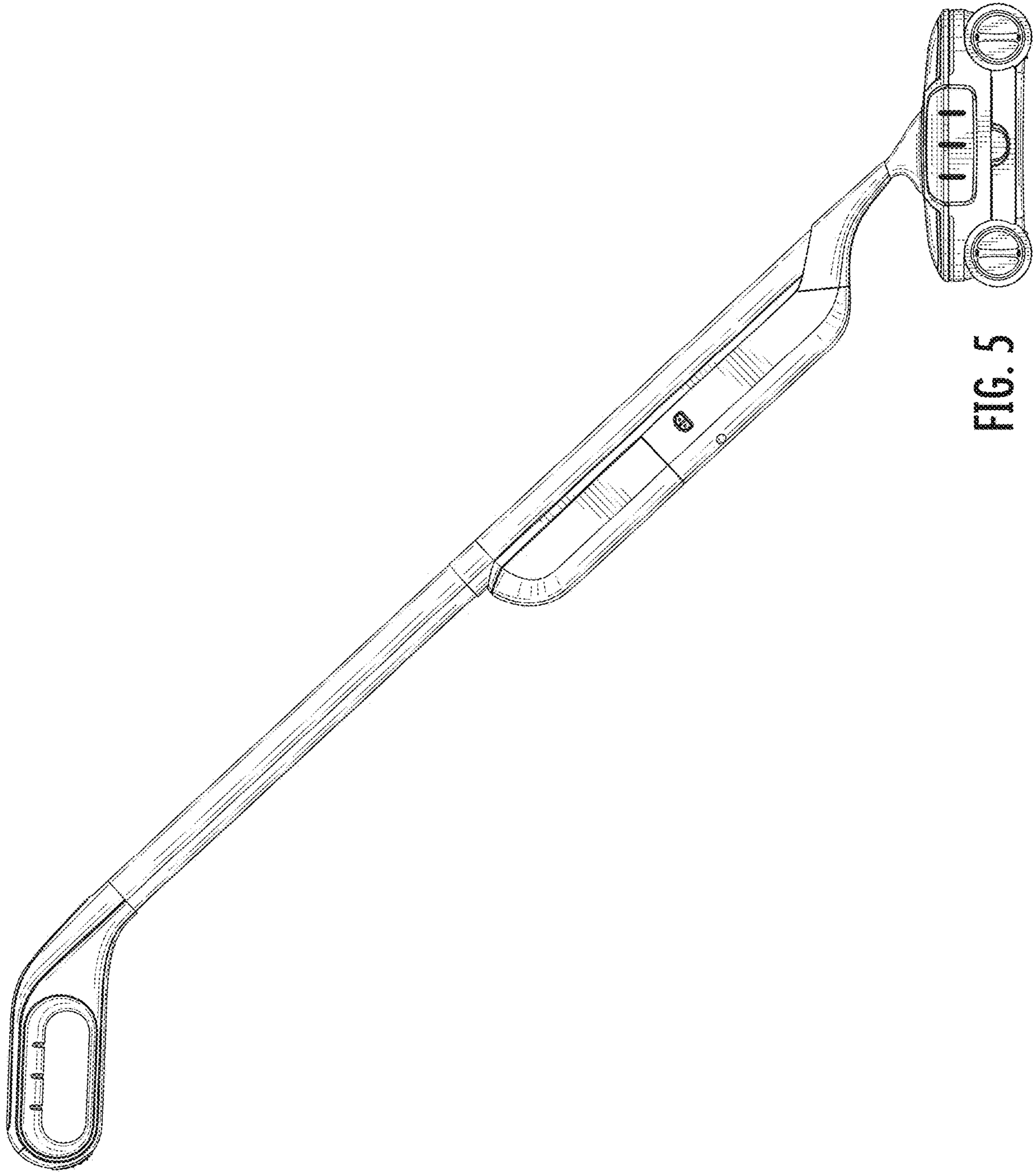


FIG. 5

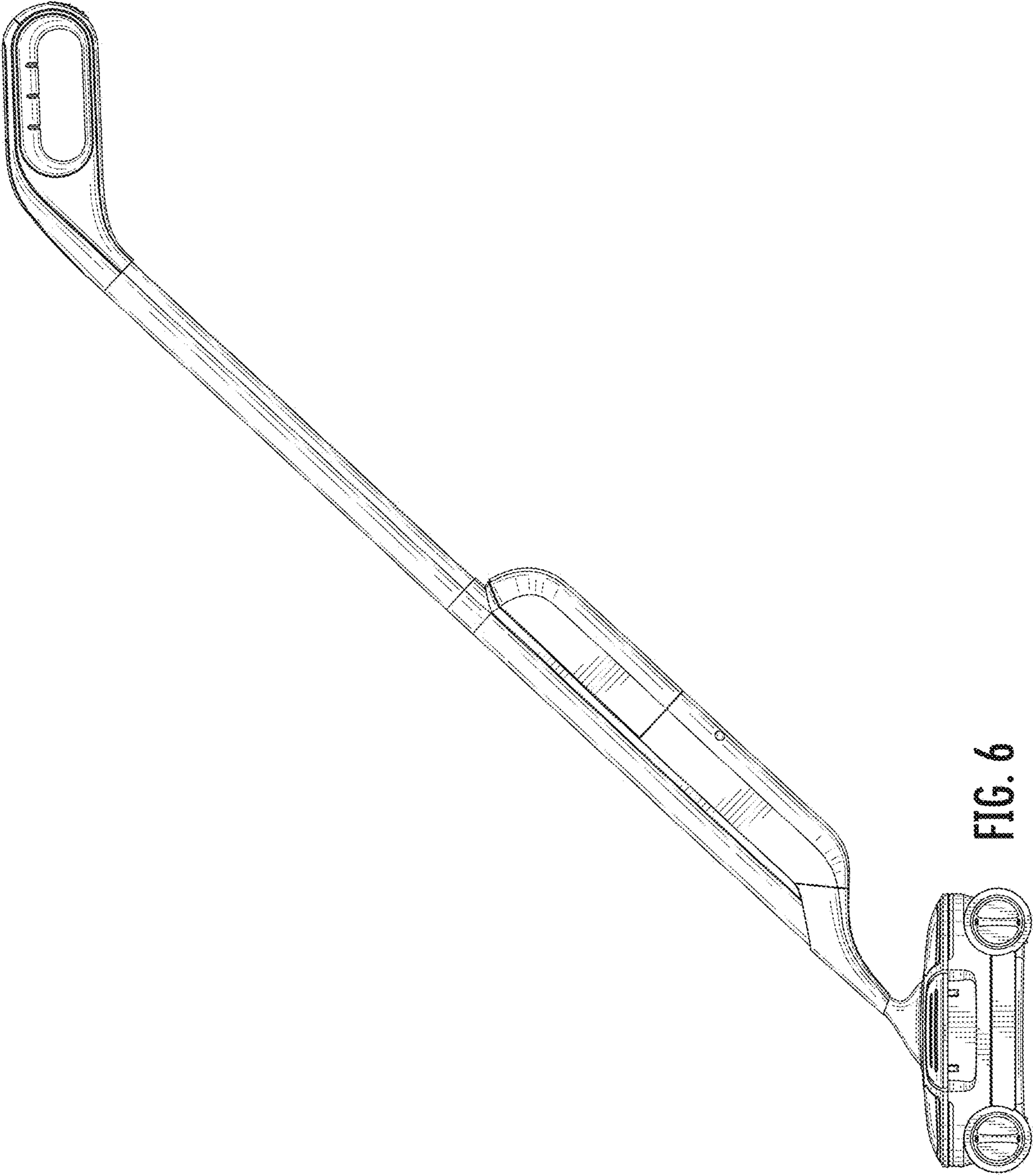


FIG. 6

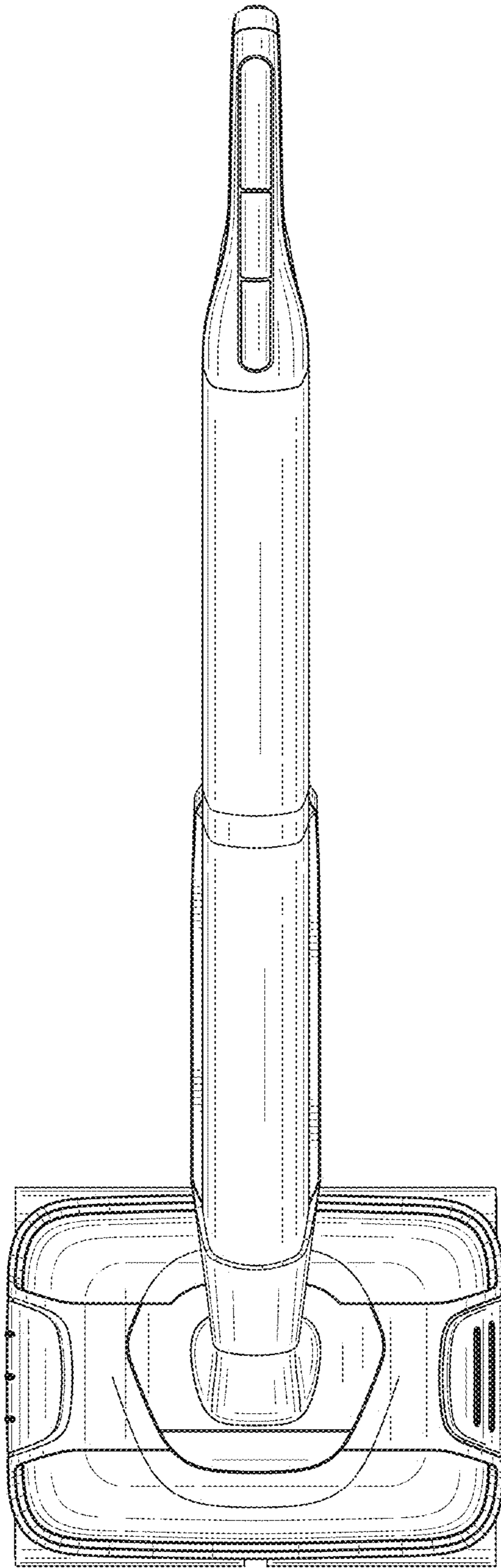


FIG. 7