



US00D910256S

(12) **United States Design Patent** (10) **Patent No.:** **US D910,256 S**
Hoofnagle et al. (45) **Date of Patent:** **** Feb. 9, 2021**

(54) **HOUSING FOR DUAL END OPTICAL CLEANING DEVICE**

FOREIGN PATENT DOCUMENTS

(71) Applicant: **Fluke Corporation**, Everett, WA (US)

JP D1626366 * 3/2019

(72) Inventors: **Wayne S. Hoofnagle**, Kirkland, WA (US); **Roger L. Howell**, Seattle, WA (US)

OTHER PUBLICATIONS

Fiber Optic Cleaning Kits | Fluke Networks, youtube video 2016, <https://www.flukenetworks.com/products/fiber-optic-cleaning-kits>, site visited Sep. 29, 2020.*

(73) Assignee: **Fluke Corporation**, Everett, WA (US)

(Continued)

(**) Term: **15 Years**

Primary Examiner — John R Yeh

(21) Appl. No.: **29/677,367**

(74) *Attorney, Agent, or Firm* — Seed Intellectual Property Law Group LLP

(22) Filed: **Jan. 18, 2019**

(57) **CLAIM**

(51) **LOC (13) Cl.** **15-05**

The ornamental design for a housing for a dual end optical cleaning device, as shown and described.

(52) **U.S. Cl.**

USPC **D32/35**

DESCRIPTION

(58) **Field of Classification Search**

USPC D32/15, 19, 35, 45, 50-51, 59; D28/50; D2/999; D9/433

CPC A47L 9/12; A47L 5/24; B43K 5/00; D06F 89/02; D06F 89/00; G02B 6/38

See application file for complete search history.

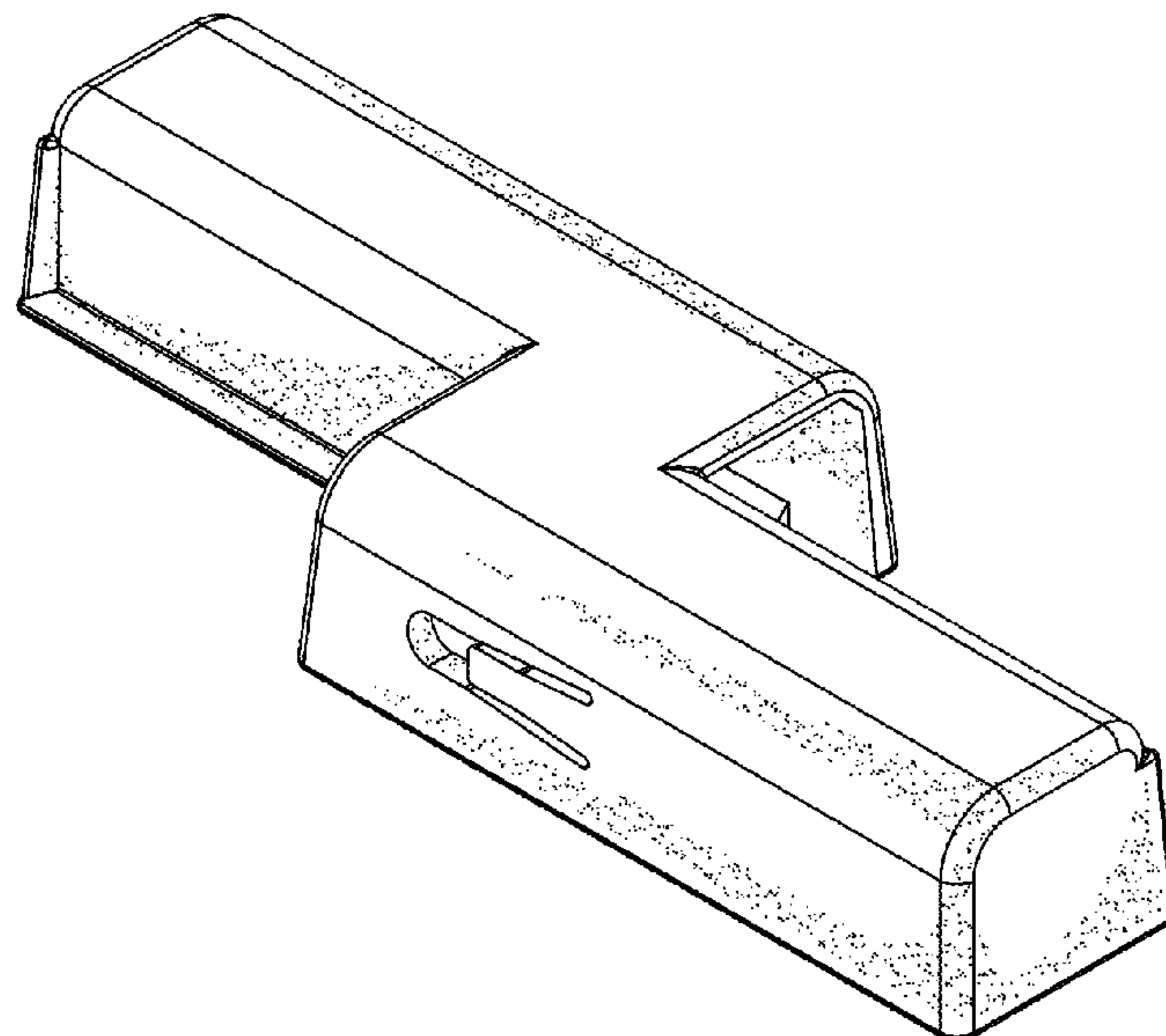
(56) **References Cited**

U.S. PATENT DOCUMENTS

D237,678 S *	11/1975	Spencer	D22/108
D253,158 S *	10/1979	Pansini	D32/35
D266,706 S *	10/1982	Karaki	D14/260
6,905,251 B2	6/2005	Fujiwara et al.		
D610,319 S *	2/2010	Fujiwara	D32/35
D642,756 S *	8/2011	Fujiwara	D32/35
8,087,118 B2	1/2012	Fujiwara		
D681,292 S	4/2013	Fujiwara et al.		
D687,278 S *	8/2013	Konishi	D8/51
10,234,639 B2 *	3/2019	Huang	B08B 1/04
10,310,188 B2 *	6/2019	Matsuda	G02B 6/382
10,634,857 B2	4/2020	Nakane		

(Continued)

1 Claim, 5 Drawing Sheets



(56)

References Cited

U.S. PATENT DOCUMENTS

2014/0023322 A1* 1/2014 Gniadek G02B 6/3825
385/56
2014/0044394 A1* 2/2014 Lin G02B 6/38
385/58
2014/0259481 A1 9/2014 Fujiwara et al.
2016/0334584 A1 11/2016 Stamps

OTHER PUBLICATIONS

U.S. Appl. No. 16/252,403, filed Jan. 18, 2019, Dual End Optical
Cleaning Device.

* cited by examiner

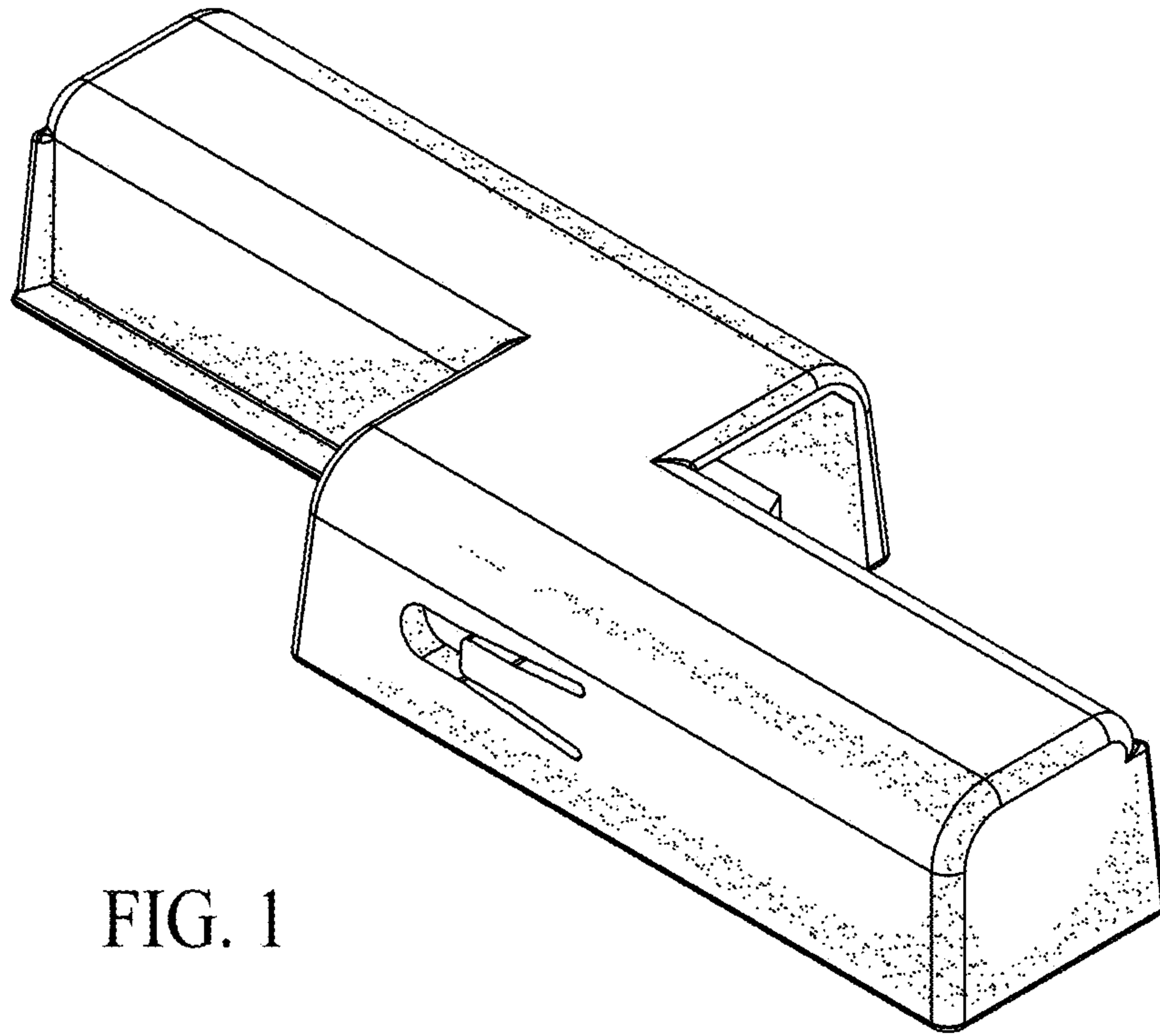


FIG. 1

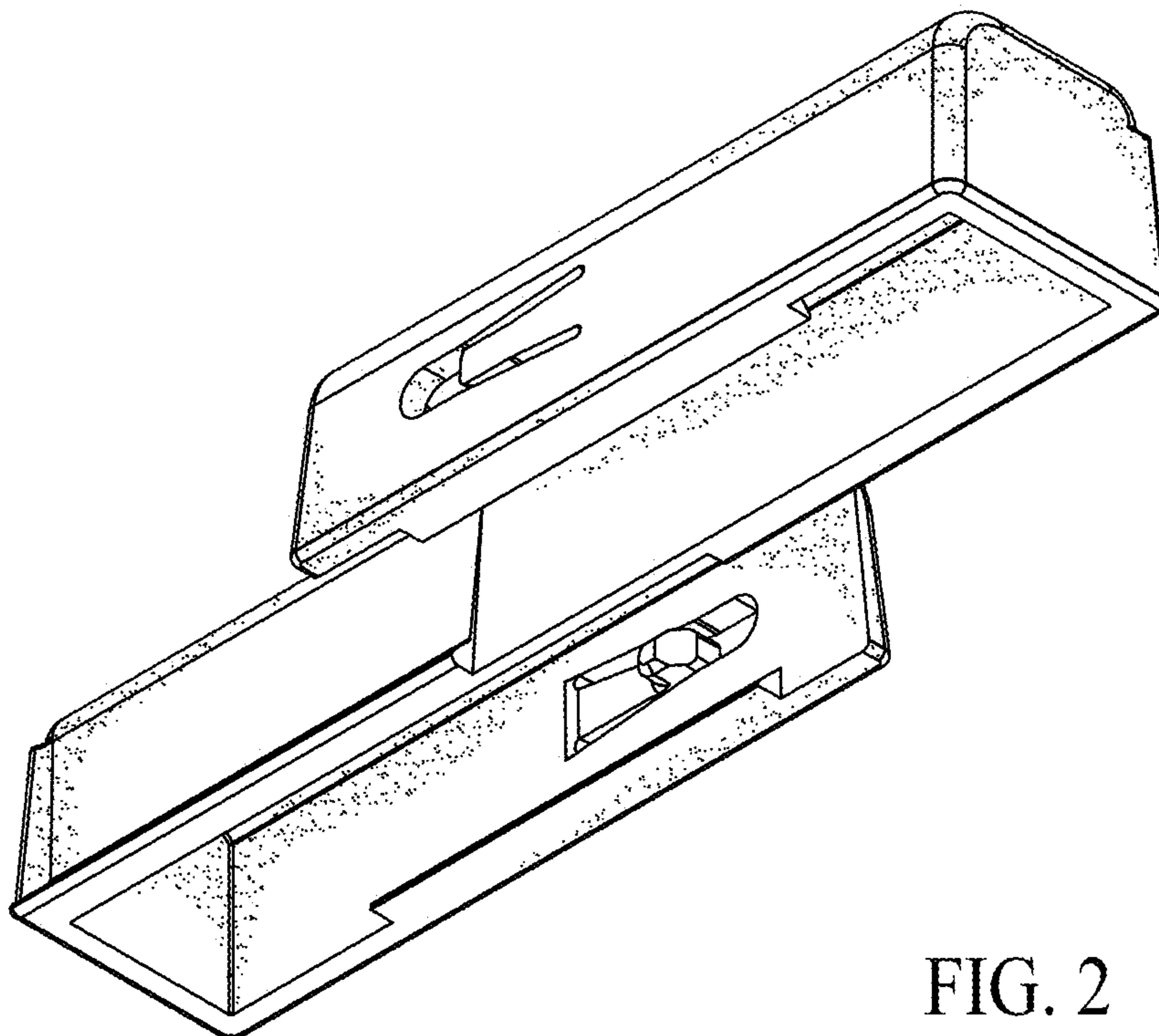


FIG. 2

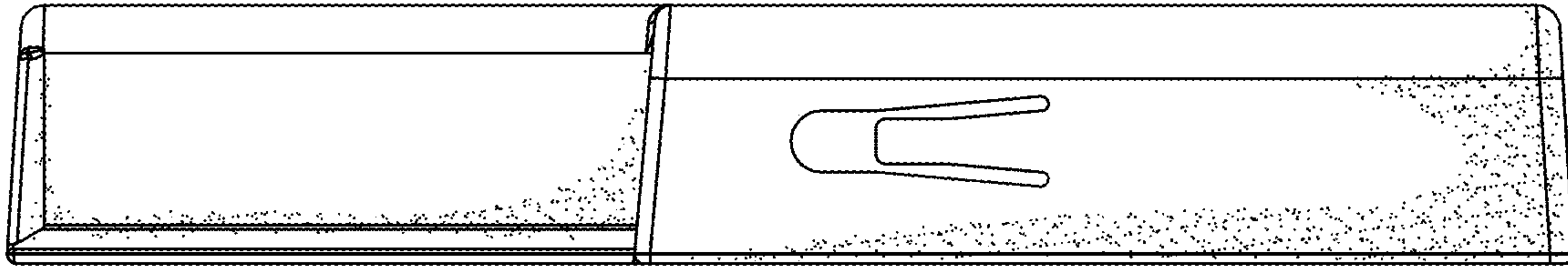


FIG. 3

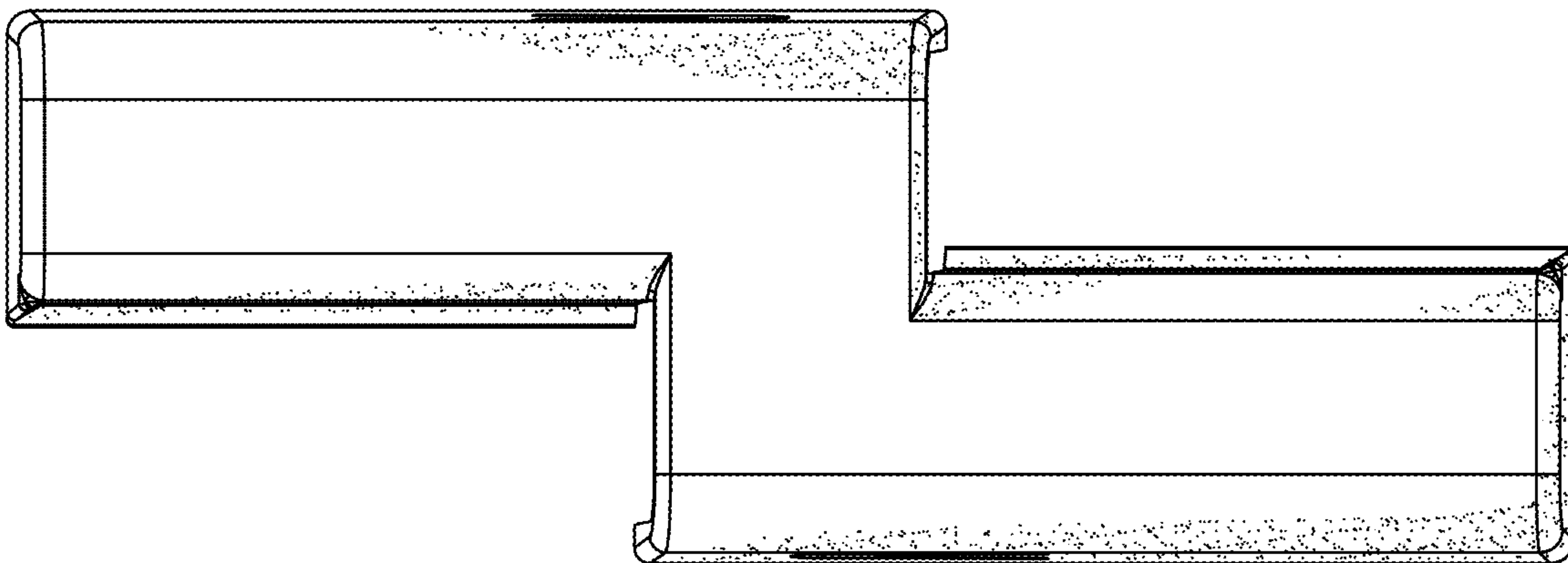


FIG. 4

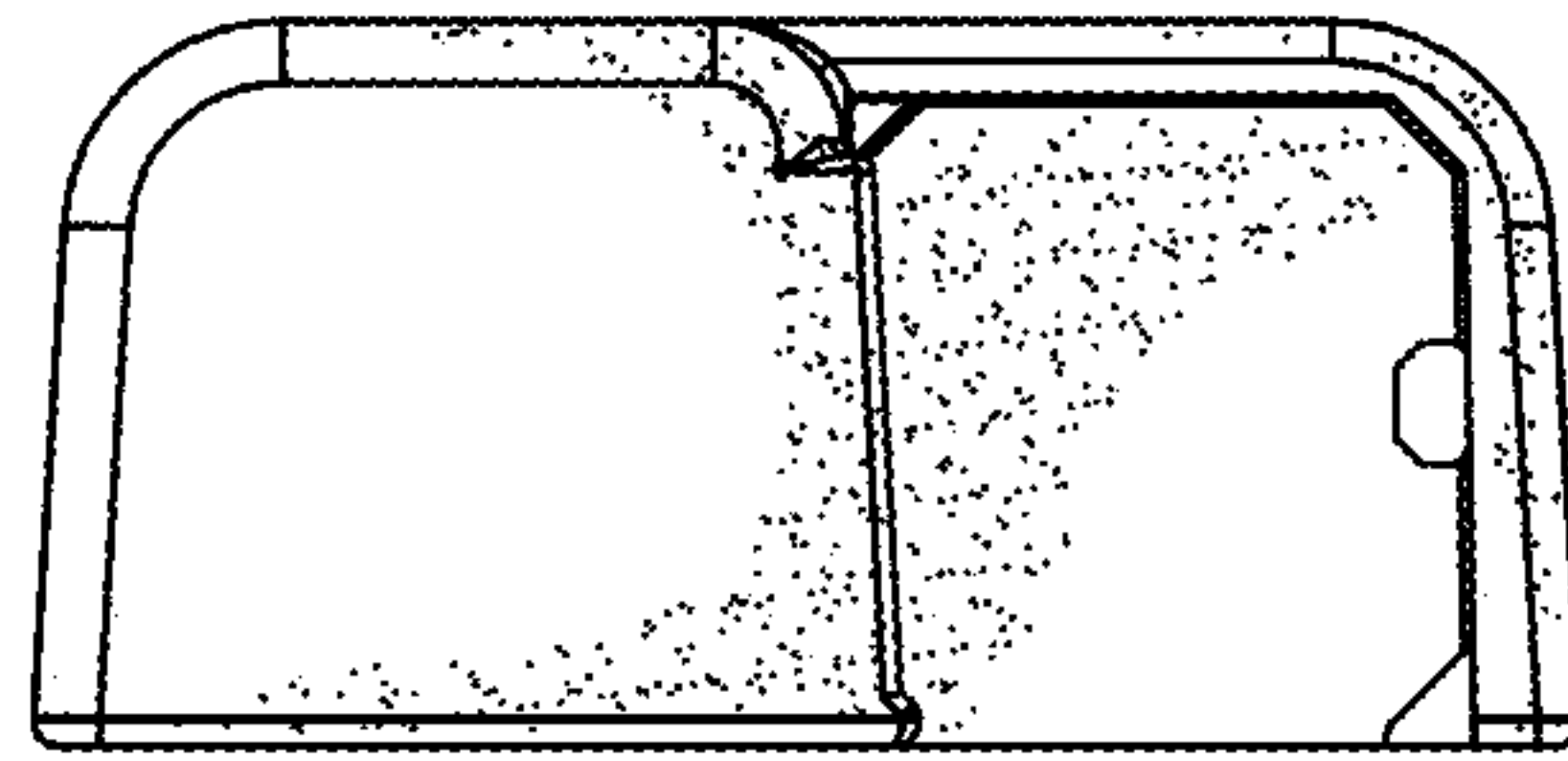


FIG. 5

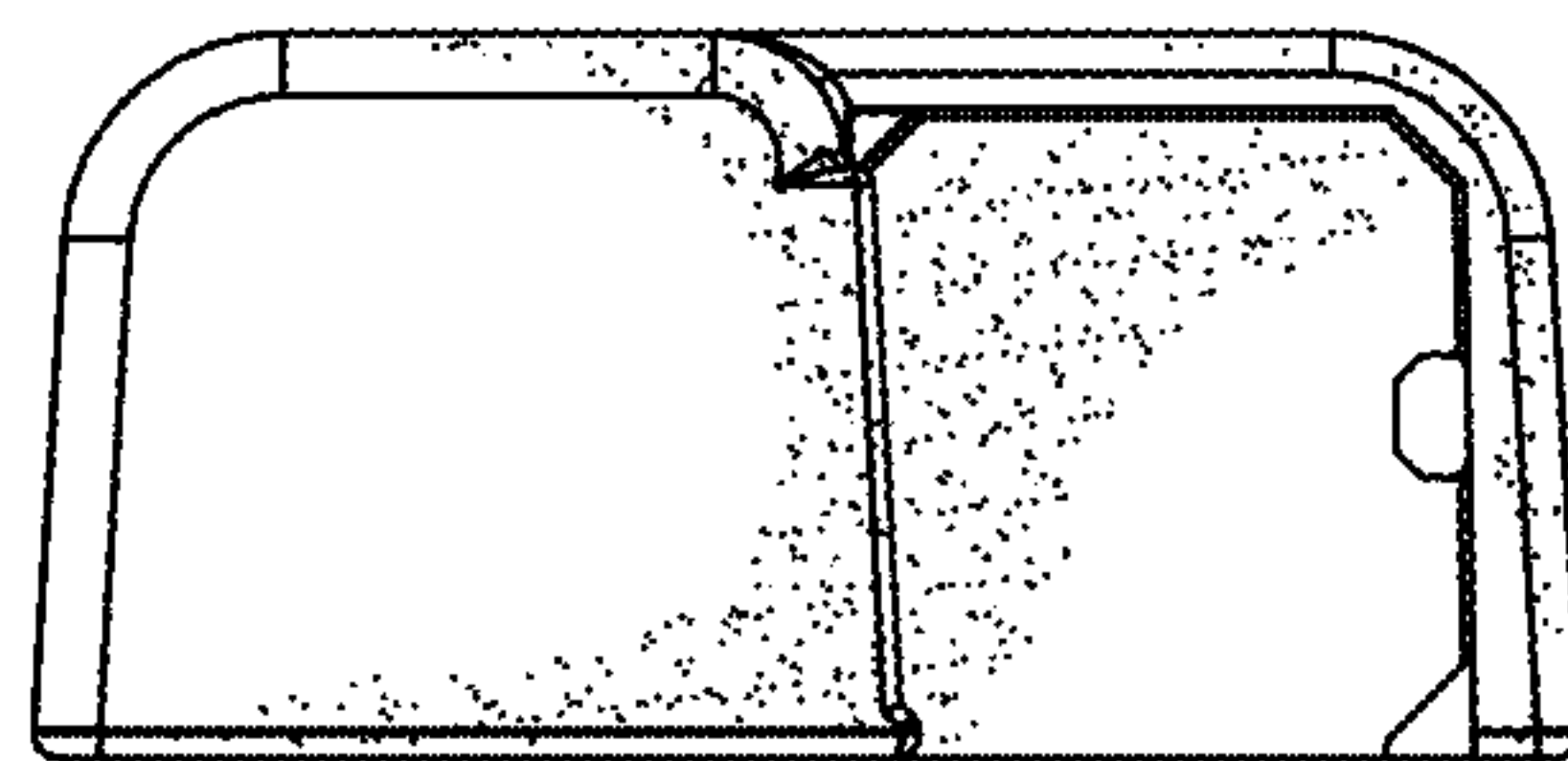


FIG. 6

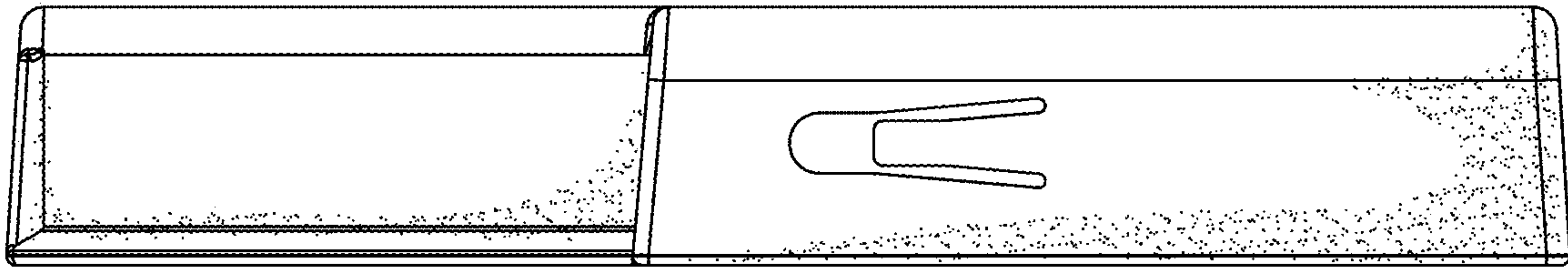


FIG. 7

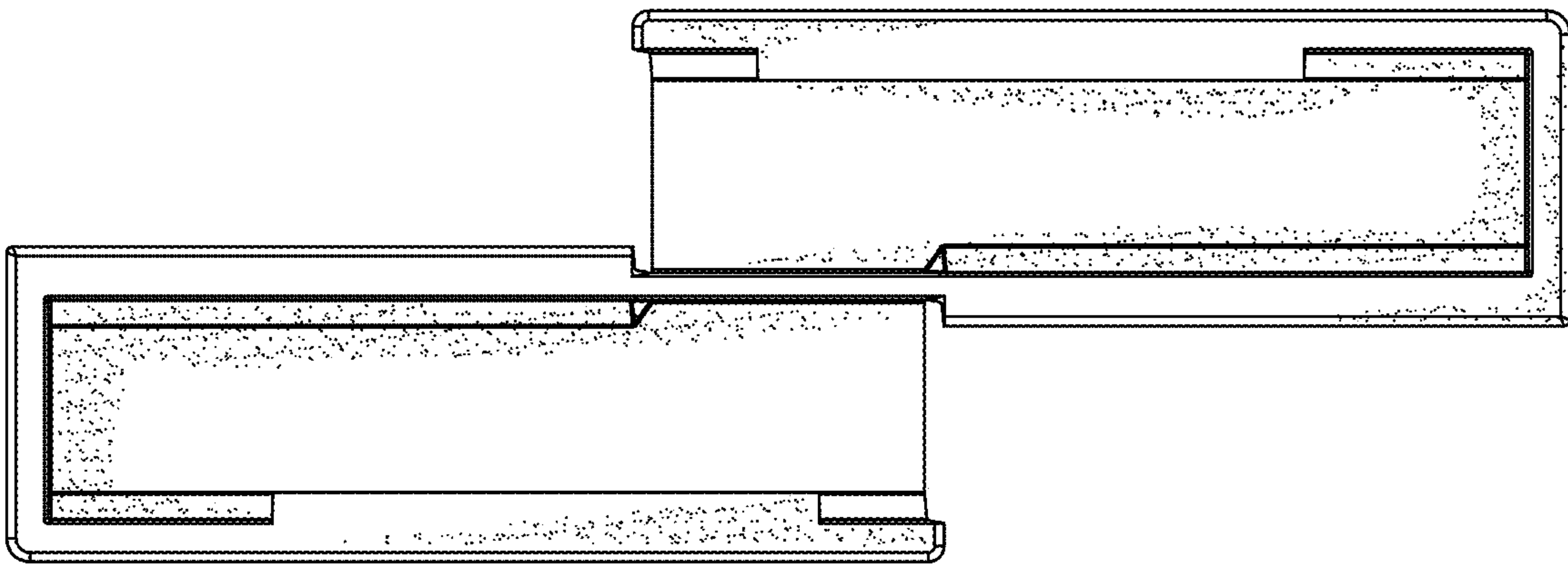


FIG. 8

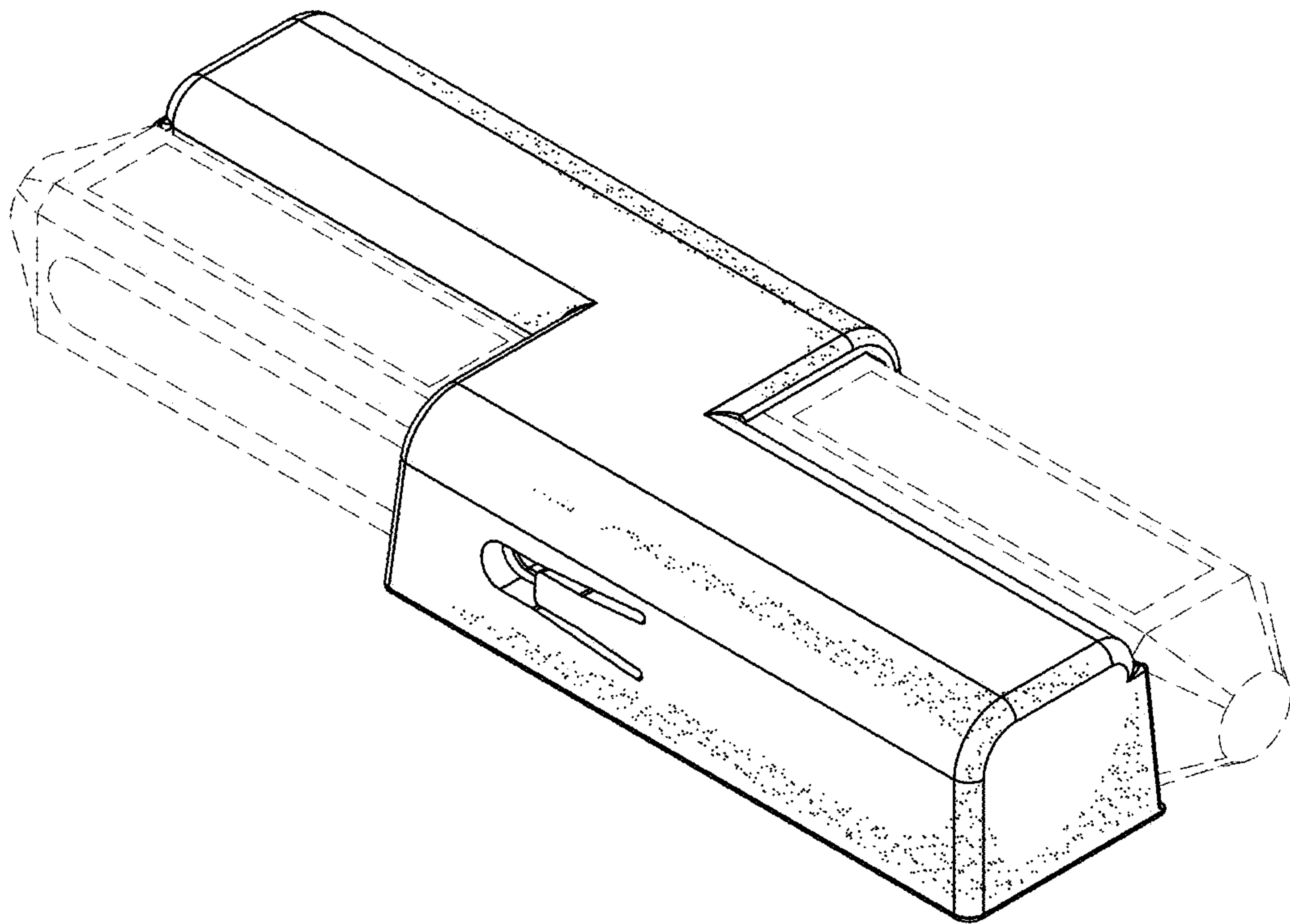


FIG. 9