



US00D910255S

(12) **United States Design Patent**
Bloemendaal

(10) **Patent No.:** **US D910,255 S**
(45) **Date of Patent:** **** Feb. 9, 2021**

- (54) **CONNECTOR FOR A VACUUM CLEANER ACCESSORY TOOL**
- (71) Applicant: **BISSELL Inc.**, Grand Rapids, MI (US)
- (72) Inventor: **Colin J. Bloemendaal**, Grand Rapids, MI (US)
- (73) Assignee: **BISSELL Inc.**, Grand Rapids, MI (US)
- (**) Term: **15 Years**
- (21) Appl. No.: **29/695,747**
- (22) Filed: **Jun. 21, 2019**
- (51) **LOC (13) Cl.** **15-05**
- (52) **U.S. Cl.**
USPC **D32/31**
- (58) **Field of Classification Search**
USPC D32/31, 32, 33, 34, 17-21
See application file for complete search history.

(56) **References Cited**

U.S. PATENT DOCUMENTS

D314,848 S *	2/1991	Foldes	D32/31
D334,259 S *	3/1993	Pino	D32/31
D610,760 S *	2/2010	Zugen	D32/31
D901,800 S *	11/2020	Choi	D32/34

* cited by examiner

Primary Examiner — Michelle E. Wilson

Assistant Examiner — Richard E Yenchesky

(74) *Attorney, Agent, or Firm* — Warner Norcross + Judd LLP

(57) **CLAIM**

The ornamental design for a connector for a vacuum cleaner accessory tool, as shown and described.

DESCRIPTION

FIG. 1 is a front perspective view of a first embodiment of a connector for a vacuum cleaner accessory tool showing my new design;

FIG. 2 is a front view thereof;

FIG. 3 is a rear view thereof;

FIG. 4 is a left side view thereof, the right side being a mirror image;

FIG. 5 is a top view thereof;

FIG. 6 is another perspective view thereof in which a vacuum cleaner accessory tool comprising a flexible crevice tool is provided in broken lines to illustrate an example environment;

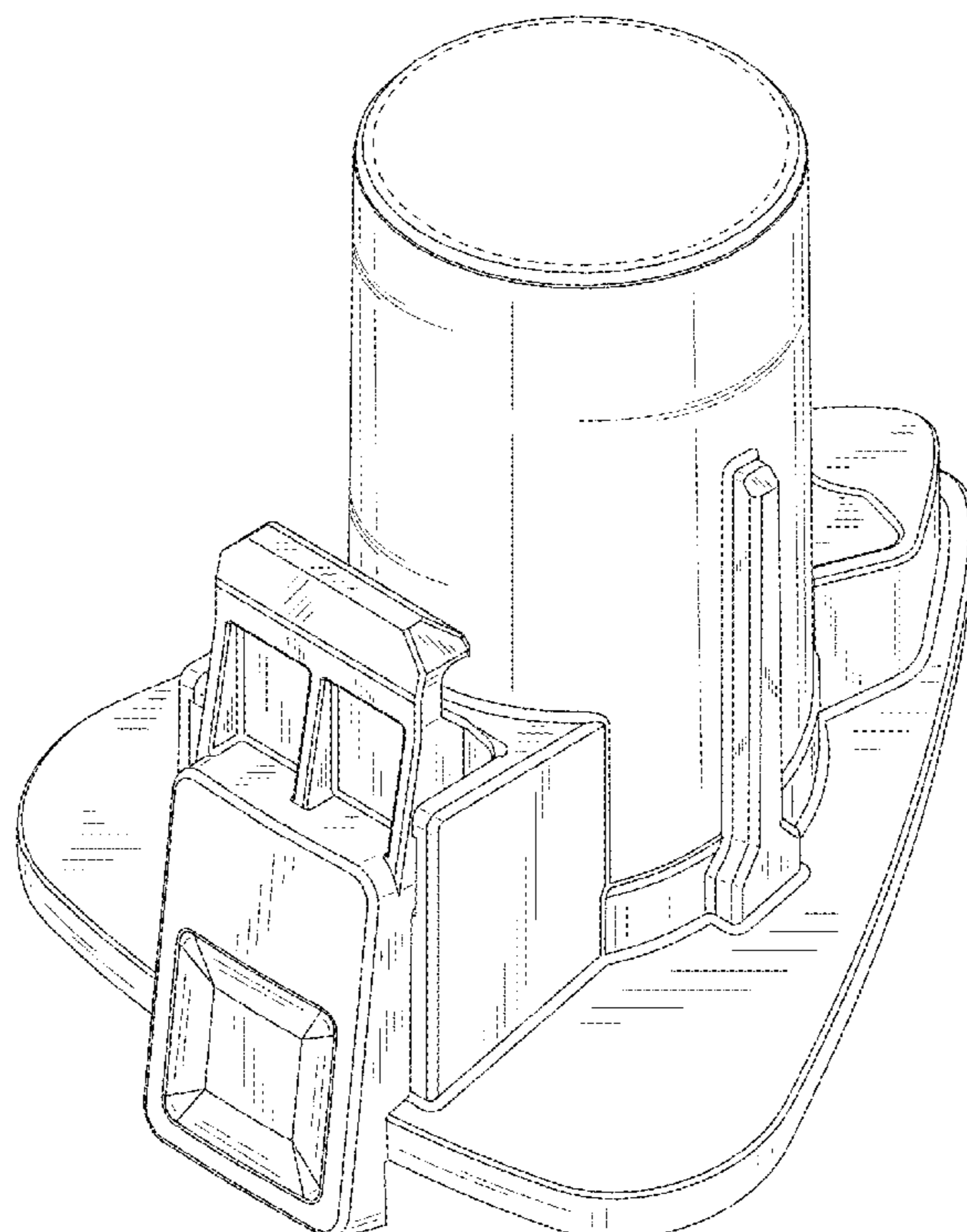
FIG. 7 is another perspective view thereof in which a vacuum cleaner accessory tool comprising a turbobrush tool is provided in broken lines to illustrate an example environment;

FIG. 8 is another perspective view thereof in which a vacuum cleaner accessory tool comprising a crevice tool is provided in broken lines to illustrate an example environment; and,

FIG. 9 is another perspective view thereof in which a vacuum cleaner accessory tool comprising a upholstery brush tool is provided in broken lines to illustrate an example environment.

The details shown in broken lines form no part of the claimed design.

1 Claim, 9 Drawing Sheets



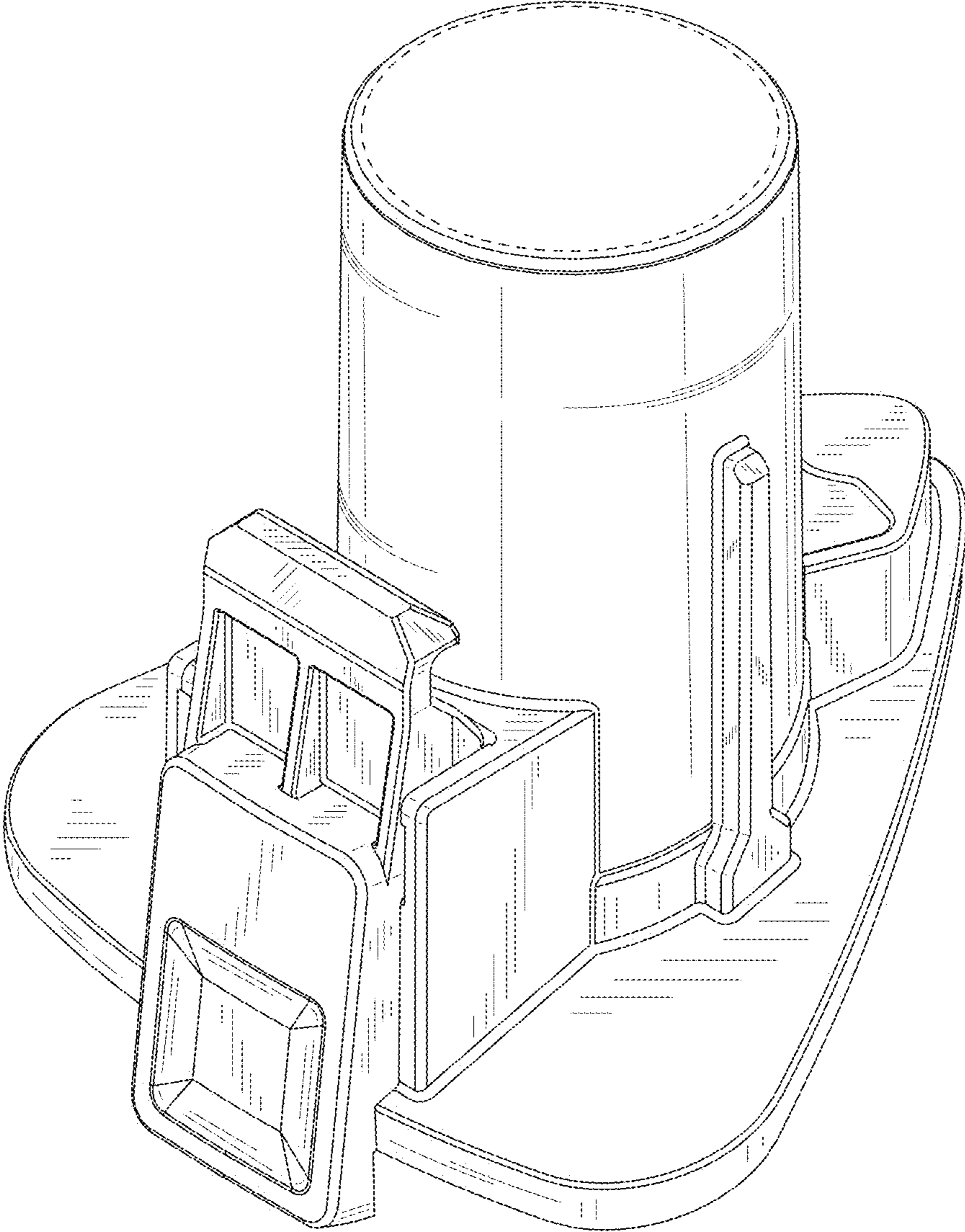


FIG. 1

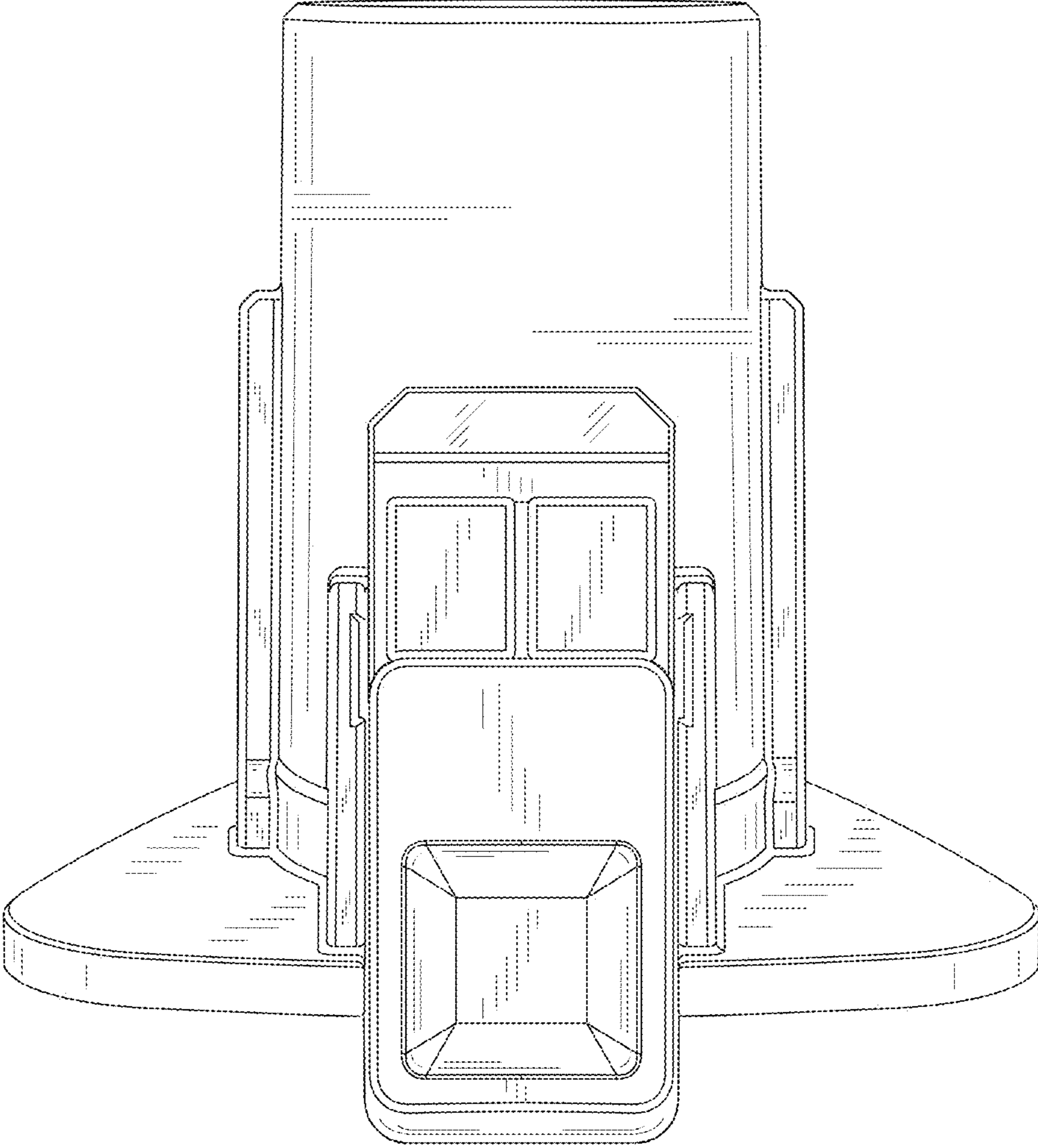


FIG. 2

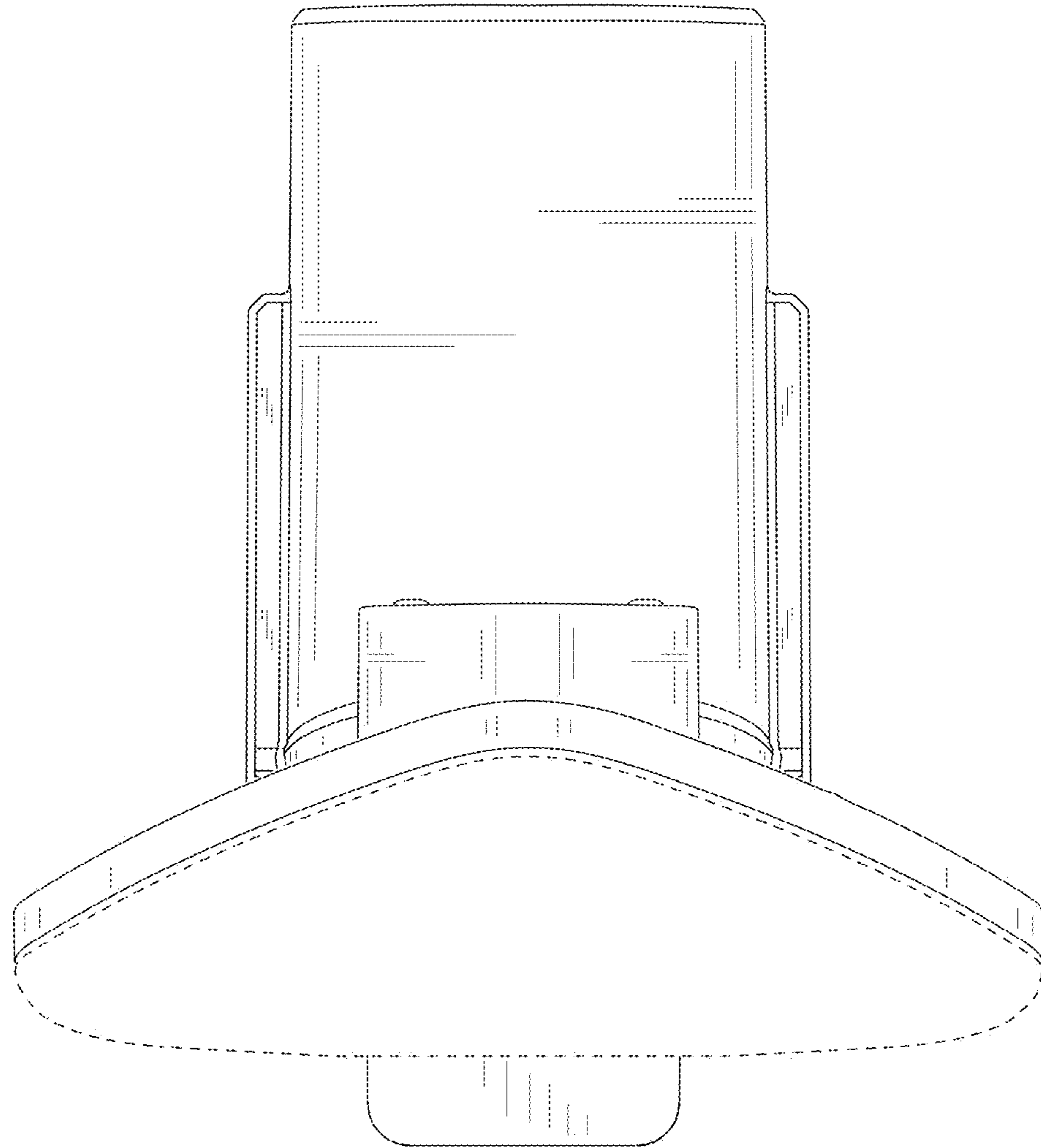


FIG. 3

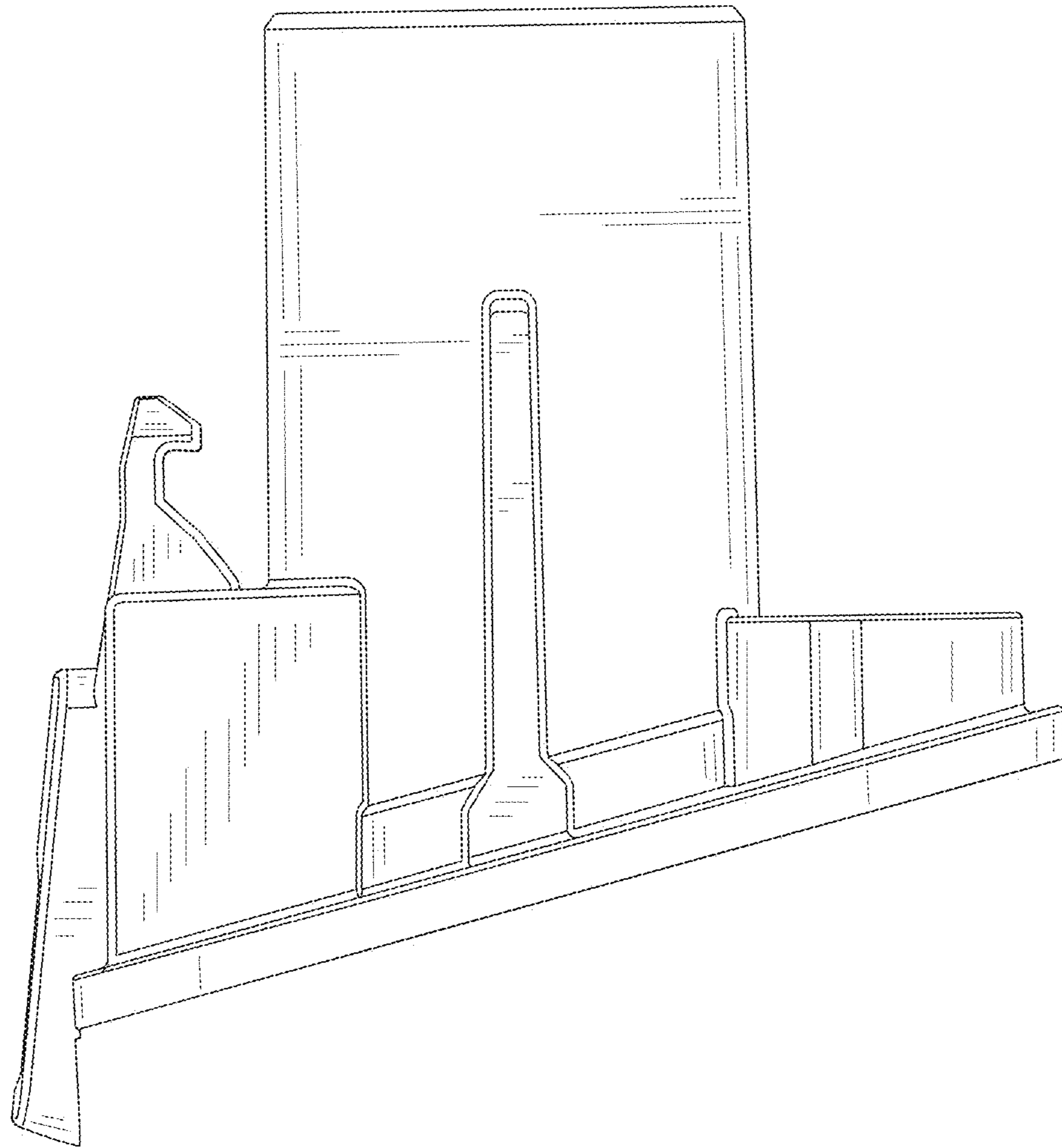


FIG. 4

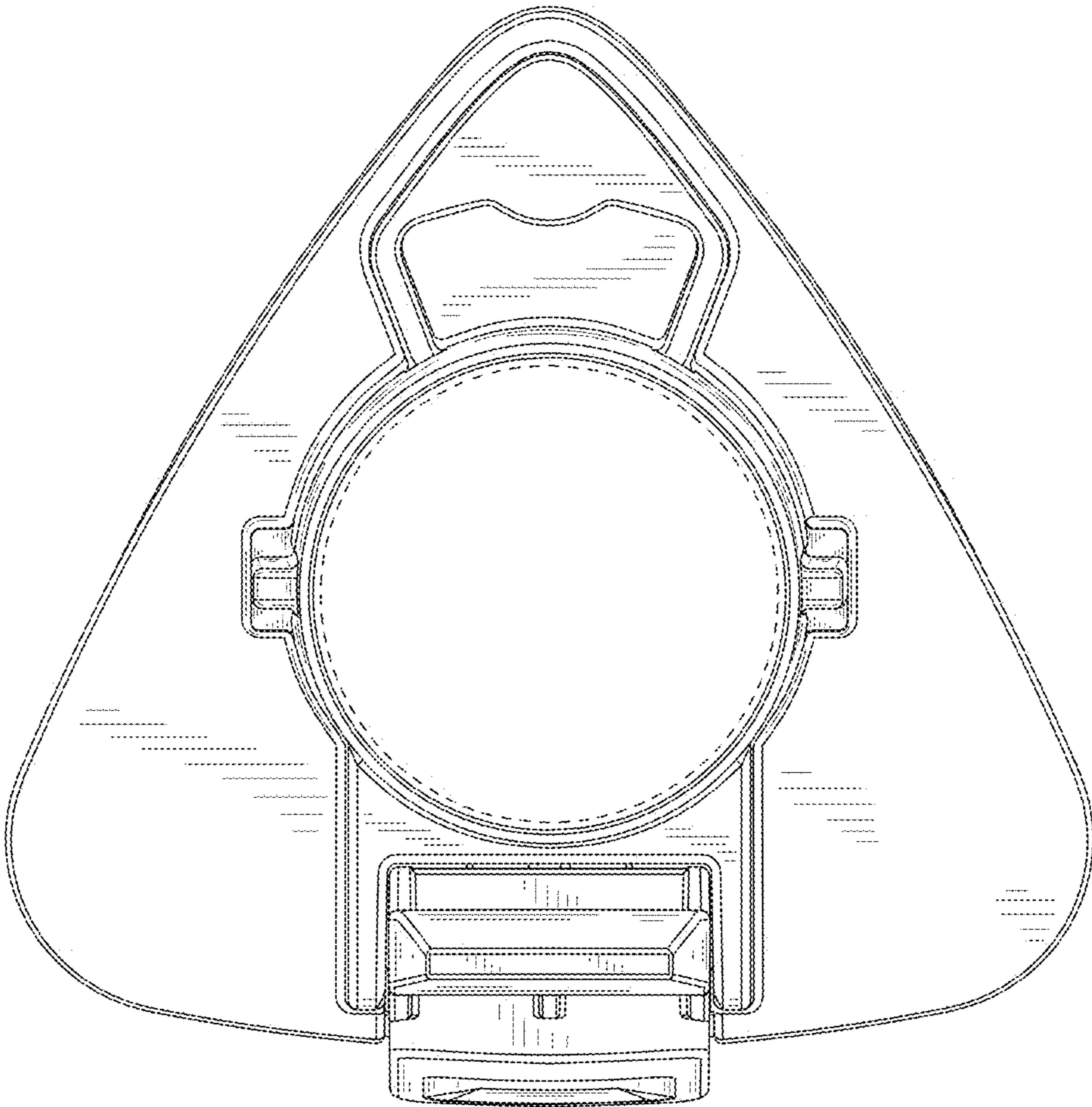


FIG. 5

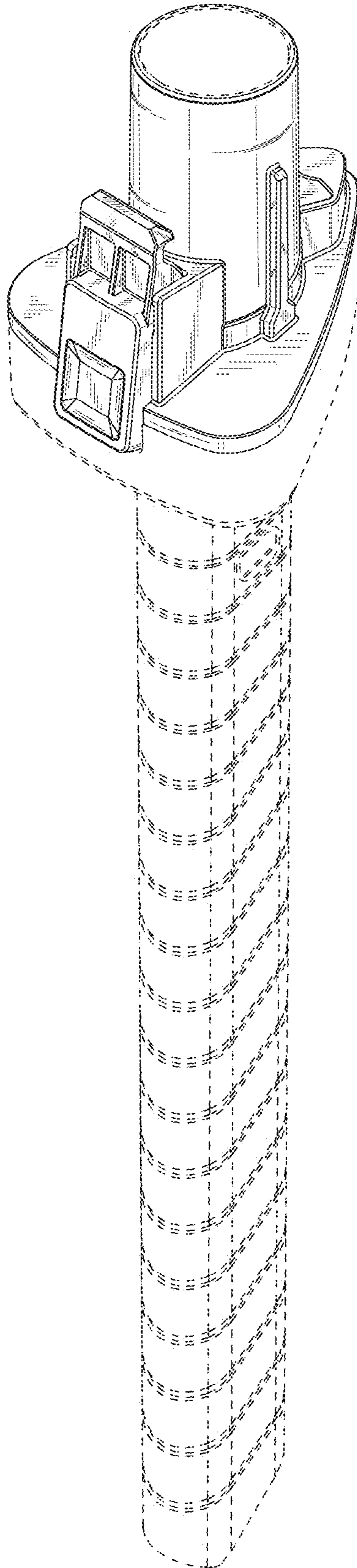


FIG. 6

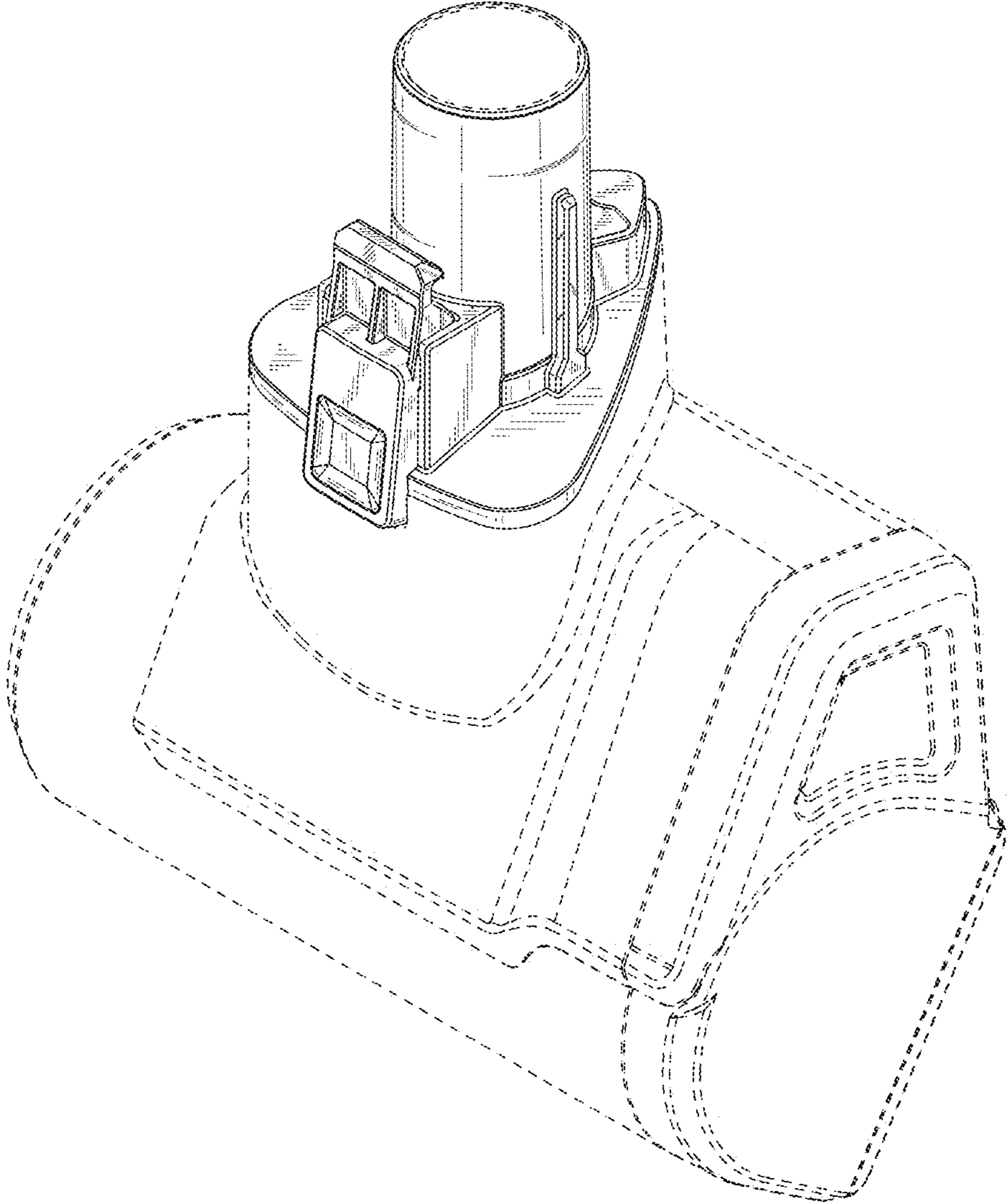


FIG. 7

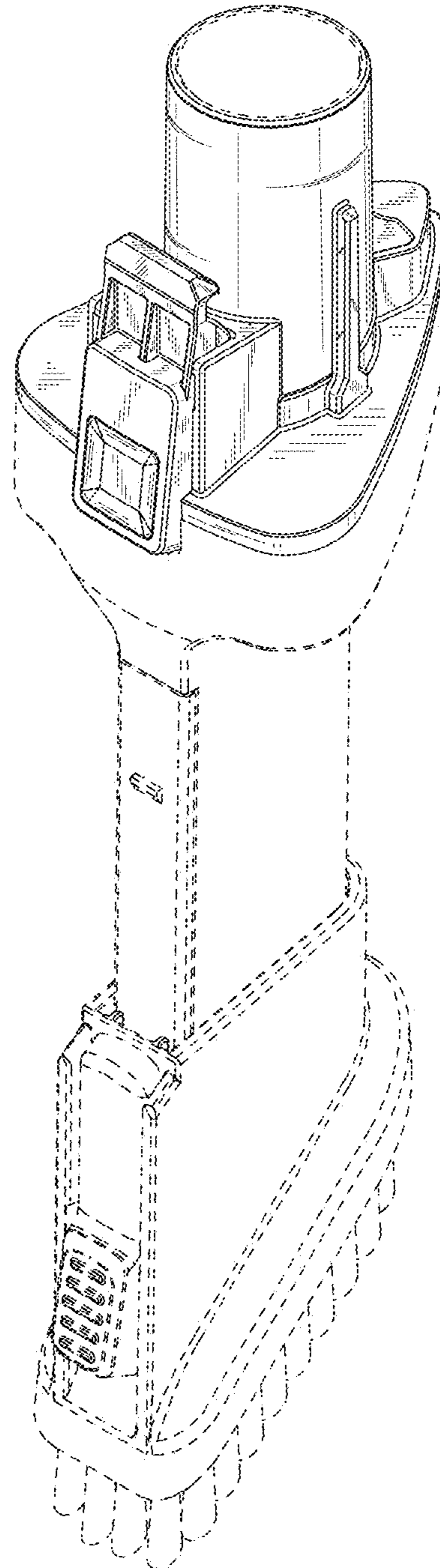


FIG. 8

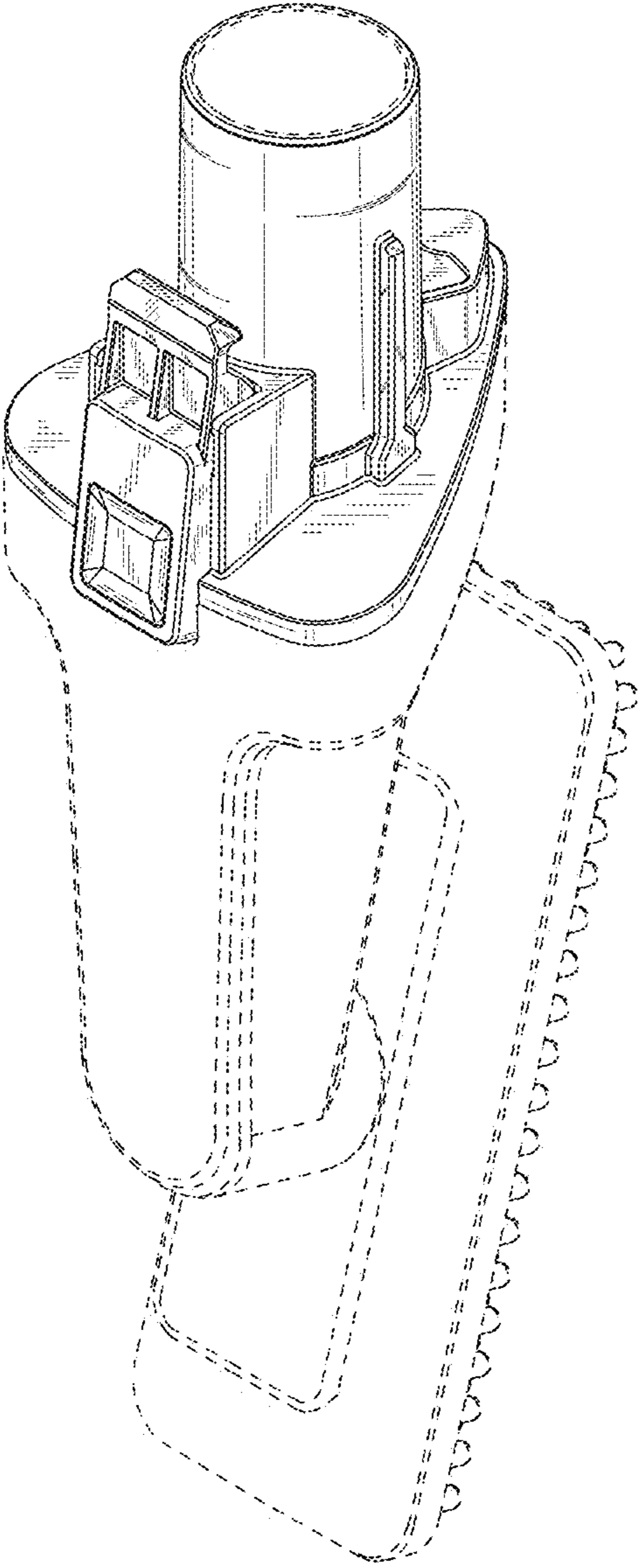


FIG. 9