



US00D910254S

(12) **United States Design Patent** (10) **Patent No.:** **US D910,254 S**
Kahan et al. (45) **Date of Patent:** **** Feb. 9, 2021**

(54) **PRESSURE WASHER**
(71) Applicant: **Powerplay Corporation**, Dorval (CA)
(72) Inventors: **Stewart Kahan**, Montreal (CA);
Francois Gelin, Terrebone (CA)
(73) Assignee: **Powerplay Corporation**, Dorval (CA)
(**) Term: **15 Years**

D580,114 S * 11/2008 Rummel D32/15
D591,467 S * 4/2009 Griffin D32/23
D668,943 S * 10/2012 Tsai D8/375
D668,944 S * 10/2012 Tsai D8/375
D669,646 S * 10/2012 Theising D32/23
D670,048 S * 10/2012 Theising D32/23
D728,875 S * 5/2015 Fry D32/23
D729,468 S * 5/2015 Dammkoehler D32/15
D838,926 S * 1/2019 Delgado D32/16
D841,906 S * 2/2019 Weinberg D32/16
D873,512 S * 1/2020 Chavana, Jr. D32/15
D901,182 S * 11/2020 Chen D3/318

(21) Appl. No.: **29/647,349**
(22) Filed: **May 11, 2018**

(30) **Foreign Application Priority Data**

Apr. 10, 2018 (CA) 180789

(51) **LOC (13) Cl.** **15-05**

(52) **U.S. Cl.**
USPC **D32/23**

(58) **Field of Classification Search**
USPC D32/23, 15-18, 1; D8/375; D15/7;
D23/202, 213, 225, 226
CPC B05B 9/0426; B08B 3/026; B08B
2203/0241
See application file for complete search history.

(56) **References Cited**

U.S. PATENT DOCUMENTS

D266,612 S * 10/1982 Hug D32/23
D271,021 S * 10/1983 Cyphert D32/23
D315,624 S * 3/1991 Kimura D32/21
D383,575 S * 9/1997 Griffin D32/23
D398,517 S * 9/1998 Lee D8/375
D465,725 S * 11/2002 Holbrook D8/375
D506,857 S * 6/2005 Griffin D32/23
D507,388 S * 7/2005 Griffin D32/23
D545,511 S * 6/2007 Proud D32/23
D573,320 S * 7/2008 Crevling, Jr. D32/23

OTHER PUBLICATIONS

Powerplay Corporation—Website product ; <http://powerplaywashers.com/products/spyder/>; 1 to 2; circa 2016, Internet publication—Canada.

* cited by examiner

Primary Examiner — Michelle E. Wilson
(74) *Attorney, Agent, or Firm* — Stites & Harbison, PLLC; David W. Nagle, Jr.

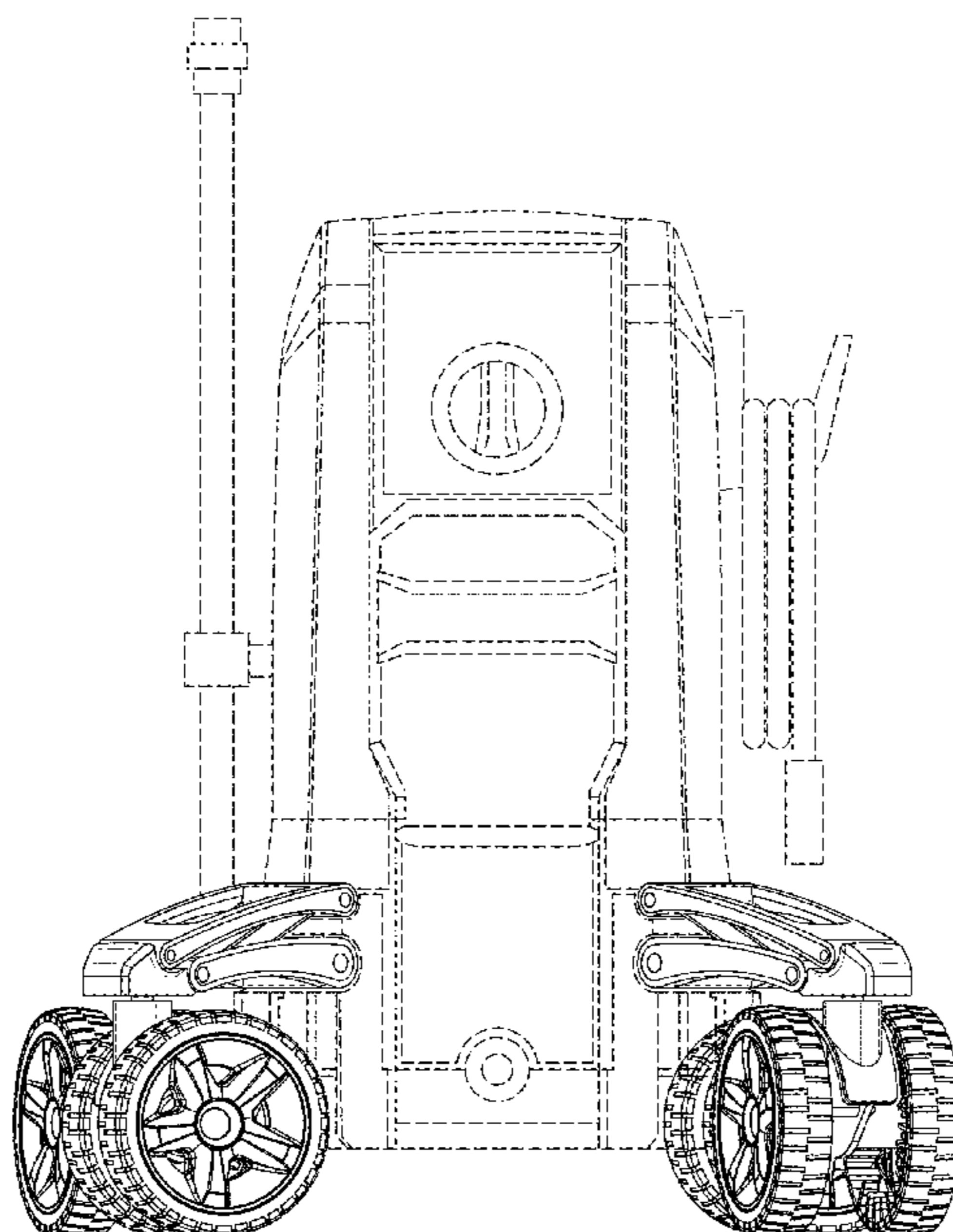
(57) **CLAIM**

The ornamental design for a pressure washer, as shown and described.

DESCRIPTION

FIG. 1 is a front elevational view of the pressure washer; FIG. 2 is a right side view thereof; FIG. 3 is a back view thereof; FIG. 4 is a left side view thereof; FIG. 5 is a top view thereof; and, FIG. 6 is a bottom view thereof. The broken lines shown in the drawings are for illustrative purposes only and form no part of the claimed design.

1 Claim, 6 Drawing Sheets



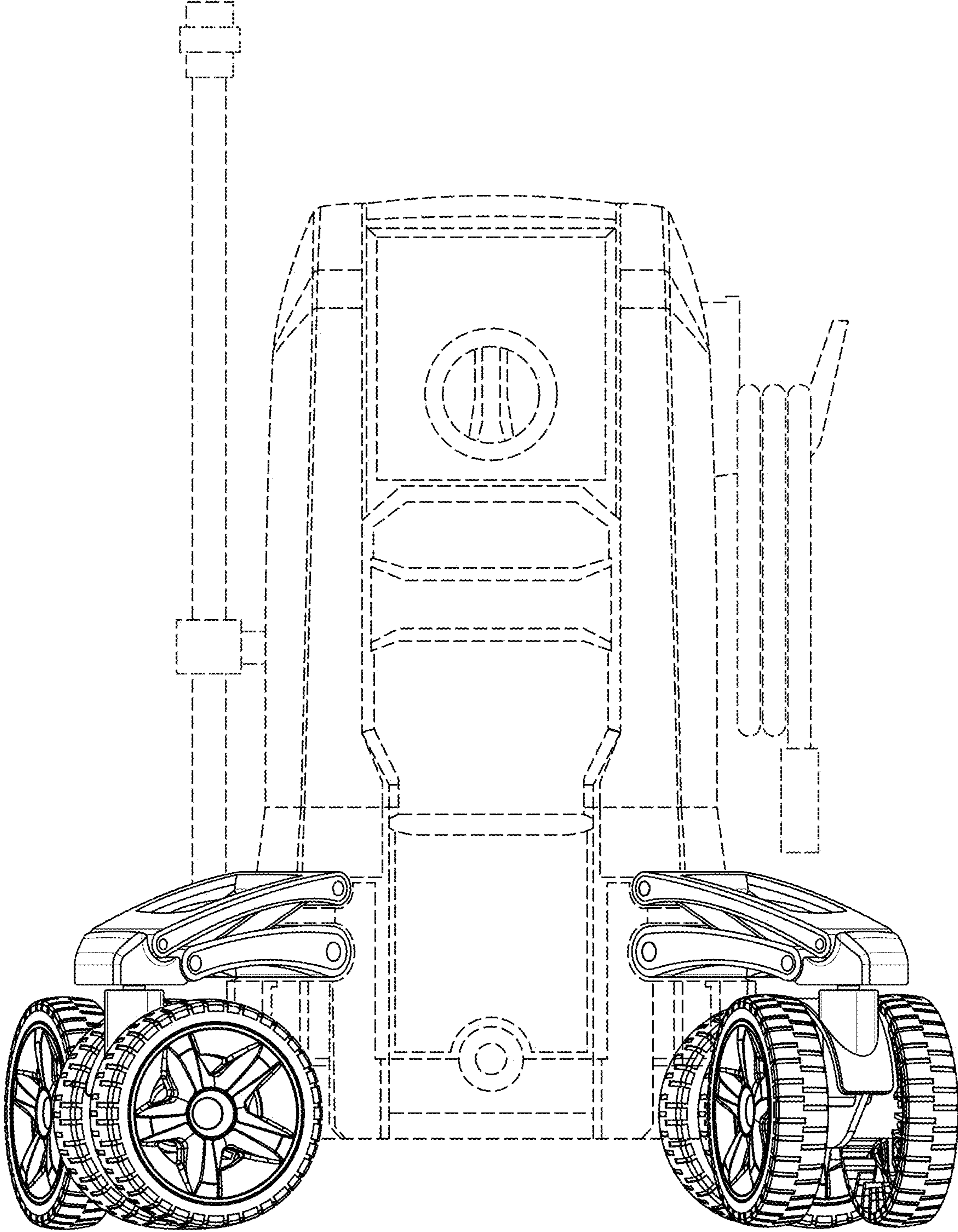


FIG. 1

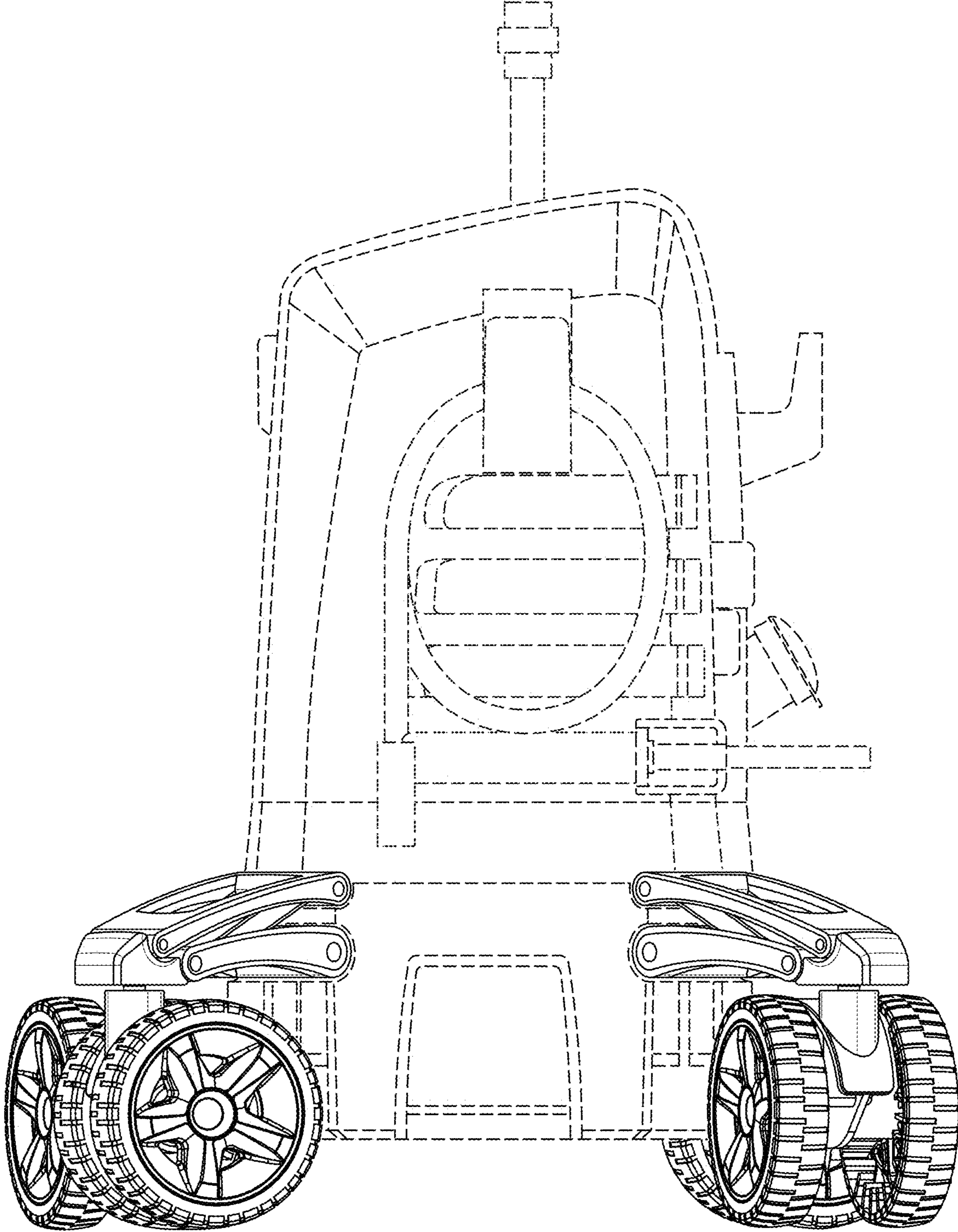


FIG. 2

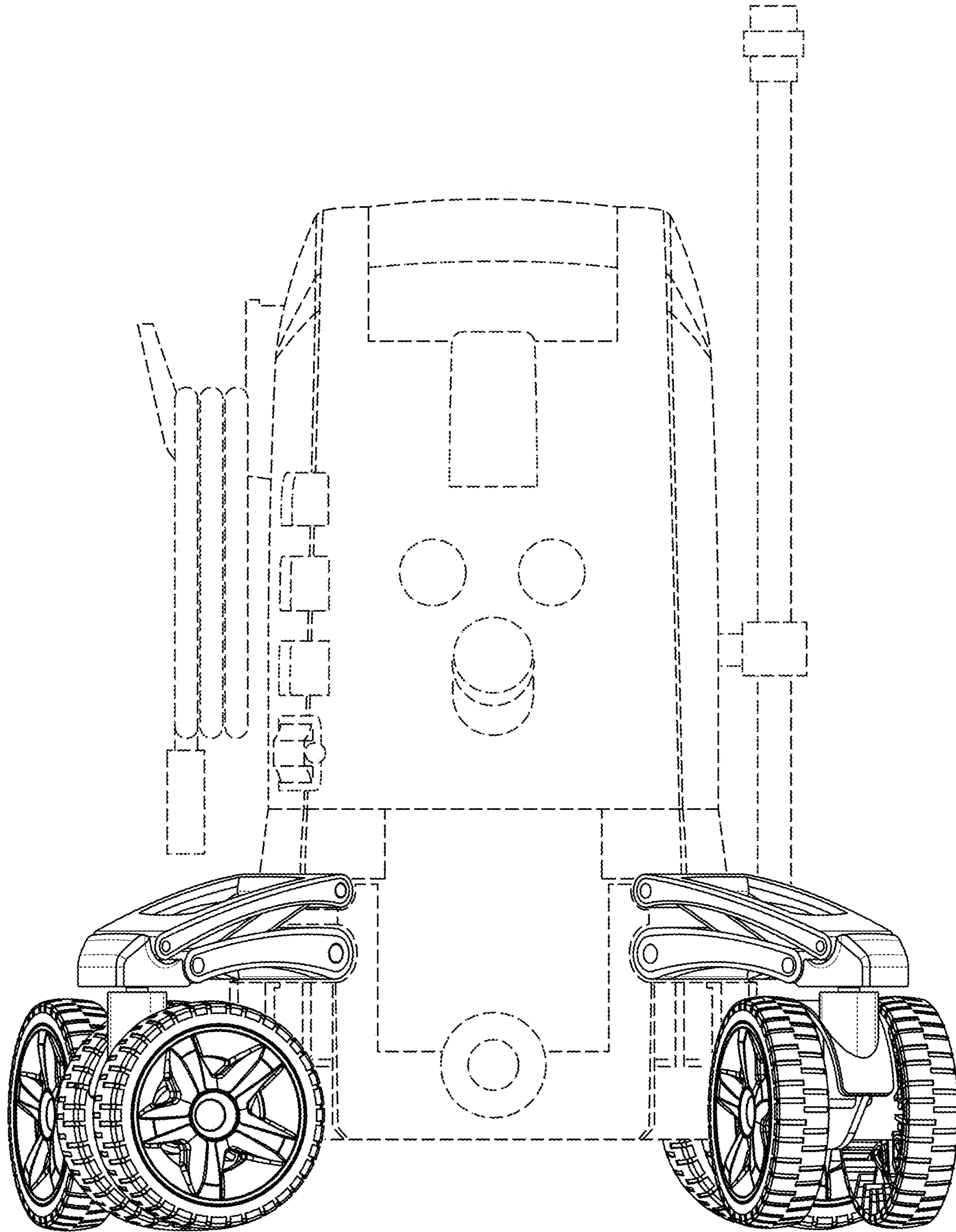


FIG. 3

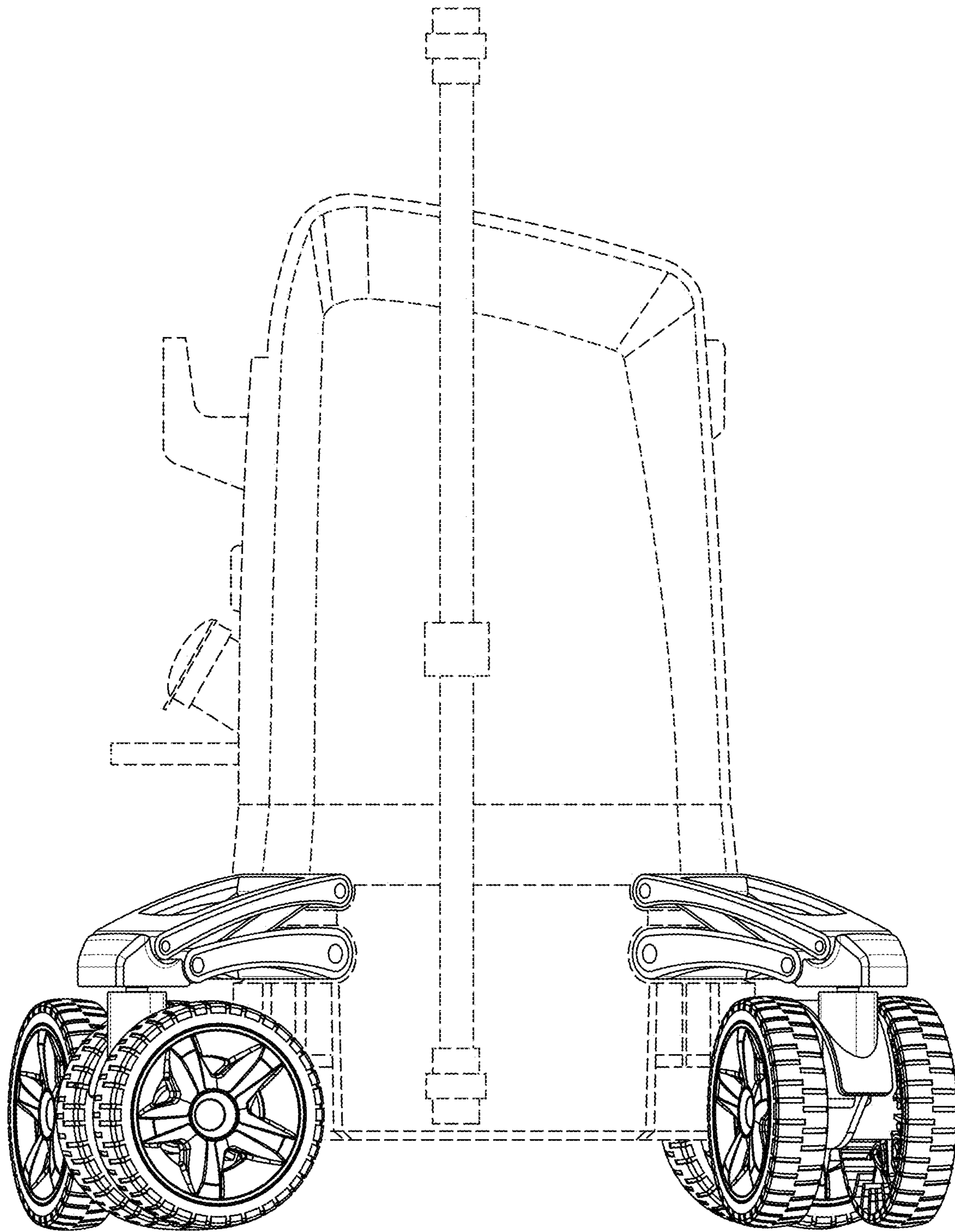


FIG. 4

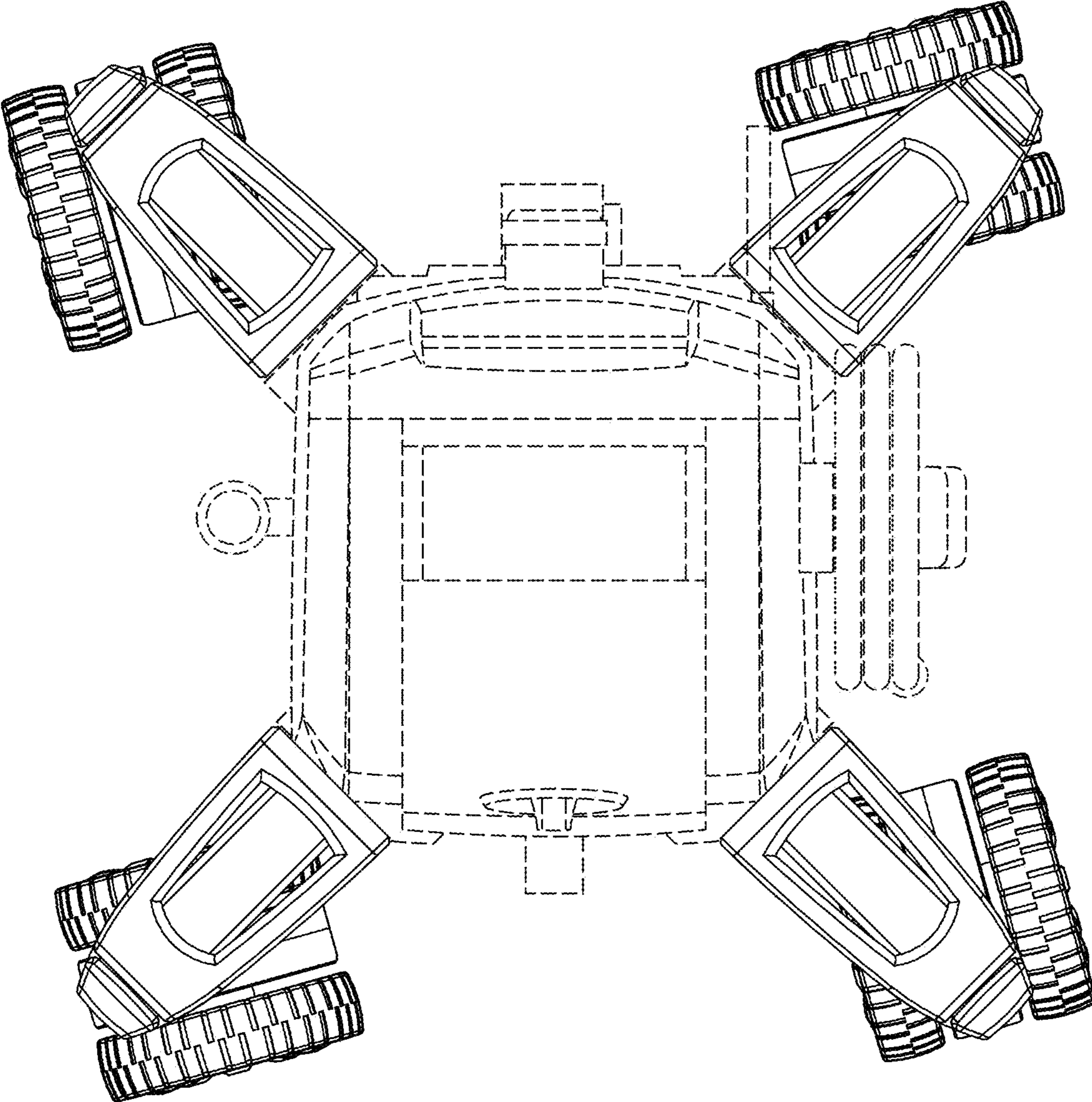


FIG. 5

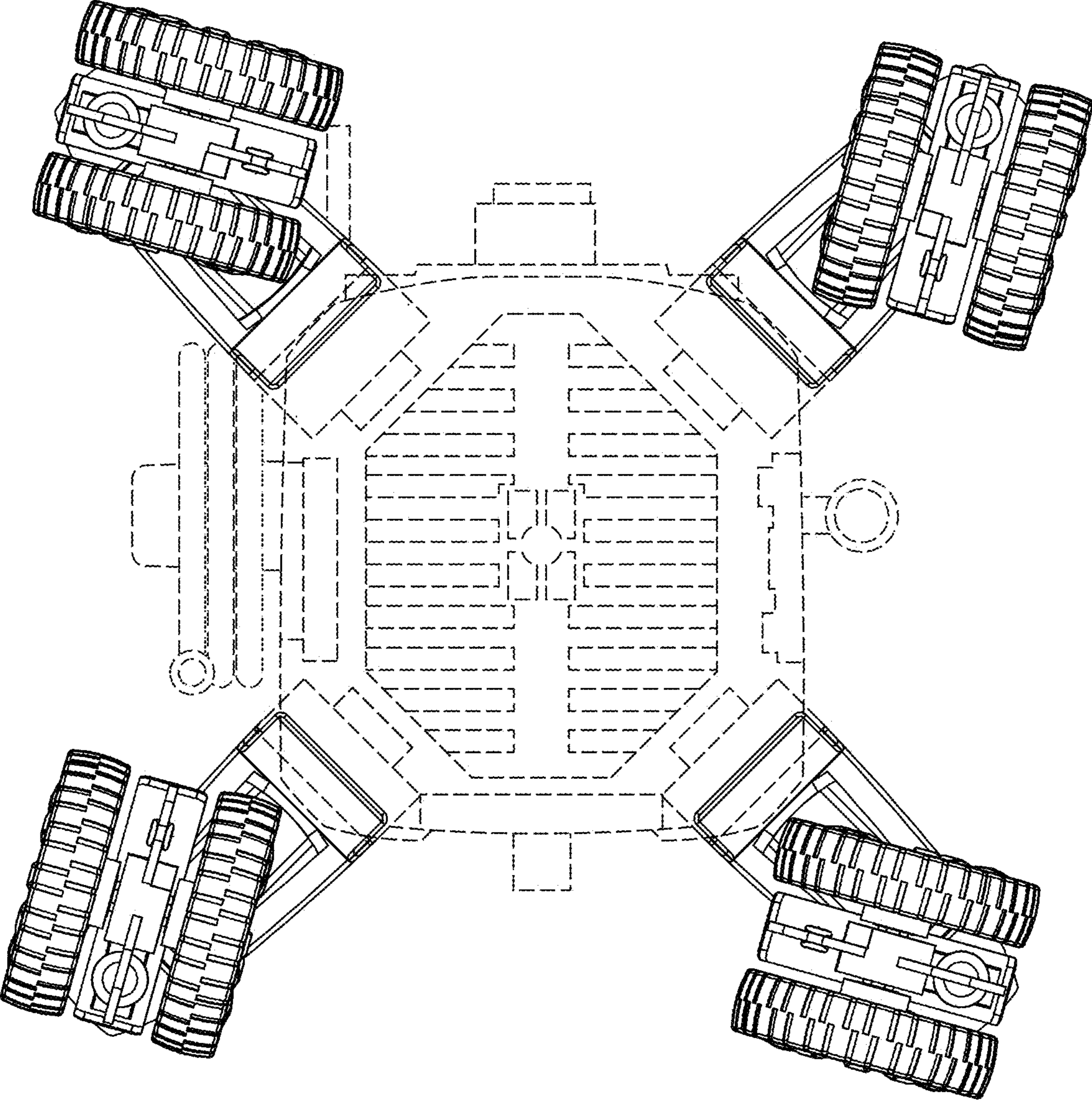


FIG. 6