



US00D910253S

(12) **United States Design Patent**
Wrobleski et al.

(10) **Patent No.:** **US D910,253 S**
(45) **Date of Patent:** **** Feb. 9, 2021**

- (54) **VACUUM CLEANER CANISTER**
- (71) Applicant: **BISSELL Inc.**, Grand Rapids, MI (US)
- (72) Inventors: **Dennis J. Wrobleski**, Lowell, MI (US);
Jing Yang, Zhongshan (CN);
Sivakumar Thangavelu, Zhongshan (CN);
Levente Szabo, Shanghai Municipality (CN)
- (73) Assignee: **BISSELL Inc.**, Grand Rapids, MI (US)

(**) Term: **15 Years**

(21) Appl. No.: **29/674,203**

(22) Filed: **Dec. 20, 2018**

(51) **LOC (13) Cl.** **15-05**

(52) **U.S. Cl.**
USPC **D32/21**

(58) **Field of Classification Search**
USPC D32/18, 21, 23, 24, 31; D8/70
CPC A47L 2201/024; A47L 5/24; A47L 5/30;
A47L 5/36; A47L 5/225; A47L 5/365;
A47L 9/0036; A47L 9/04; A47L 9/0411;
A47L 9/24; A47L 9/106; A47L 9/1683;
A47L 9/322; A47L 9/325; A47L 9/327;
A47L 9/1608; A47L 7/0004; A47L
7/0095; B23Q 11/0046; B23Q 11/0071;
B25D 16/00

See application file for complete search history.

(56) **References Cited**

U.S. PATENT DOCUMENTS

D646,030	S	*	9/2011	Carr	D32/21
D702,901	S	*	4/2014	Fjellman	D32/21
D708,407	S	*	7/2014	Chu	D32/21
D709,253	S	*	7/2014	Lim	D32/21
D714,500	S	*	9/2014	Irfan	D32/21
D724,799	S	*	3/2015	Yun	D32/21
D746,524	S	*	12/2015	Kim	D32/21
D785,877	S	*	5/2017	Cao	D32/21

D786,517	S	*	5/2017	Cao	D32/21
D790,142	S	*	6/2017	Carr	D32/31
D792,037	S	*	7/2017	Yin	D32/21
D836,866	S	*	12/2018	Wrobleski	D32/31
2002/0069476	A1	*	6/2002	Yung	A47L 9/1666 15/352

FOREIGN PATENT DOCUMENTS

CA	186614	*	8/2020
CN	305381729	*	10/2019

OTHER PUBLICATIONS

Canister Vacuum Cleaner, oldest customer review Oct. 2019 [online], [site visited Sep. 23, 2020], Available from internet URL: https://www.target.com/p/bissell-smartclean-canister-vacuum-2268/-/A-79333901?ref=tgt_adv_XS000000&AFID=google_pla_df&fndsrc=tgtao&CPNG=PLA_Appliances (Year: 2020).*

(Continued)

Primary Examiner — Dana K Weiland
Assistant Examiner — Jennylou M Binas

(74) *Attorney, Agent, or Firm* — Warner Norcross + Judd LLP

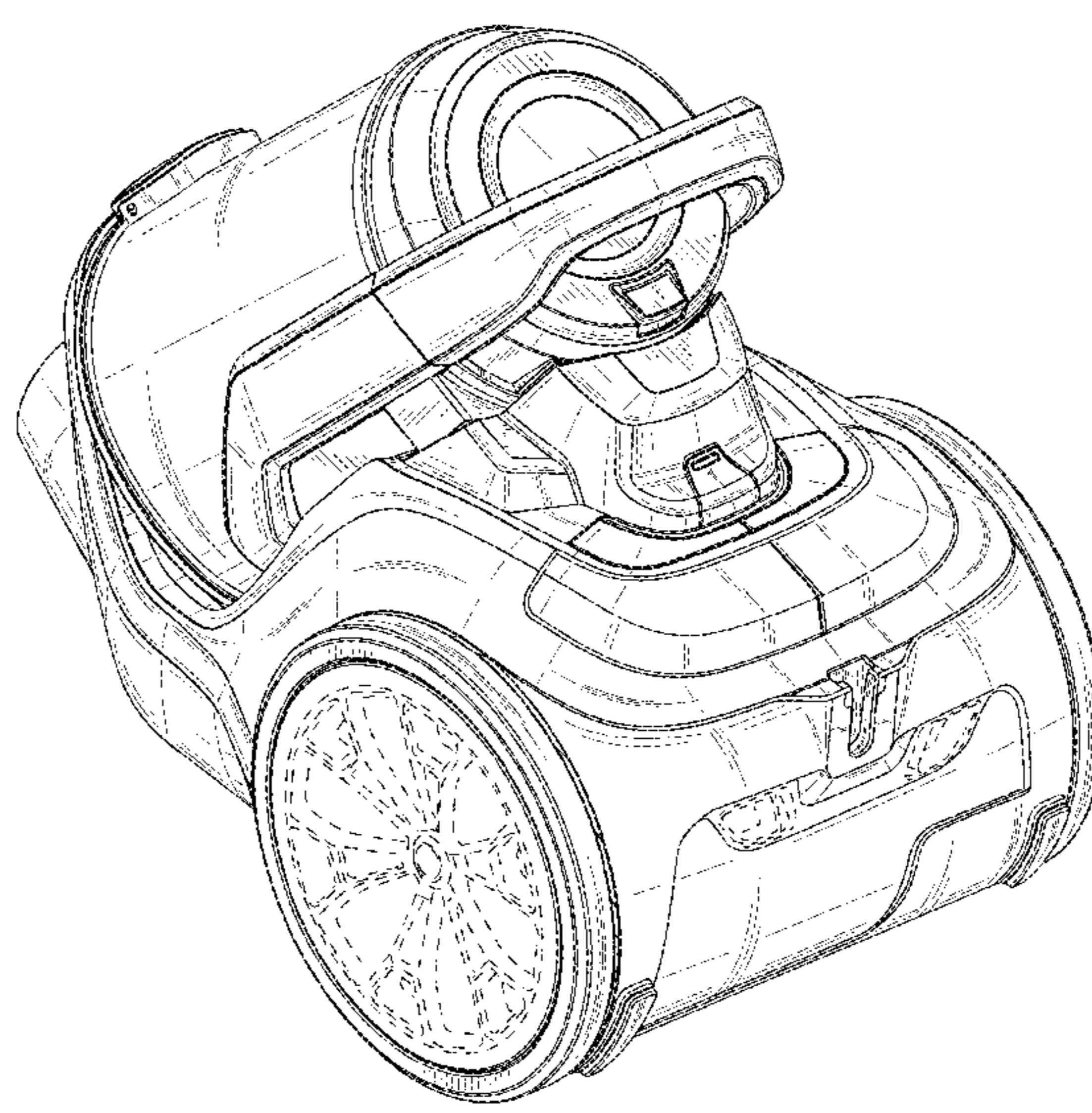
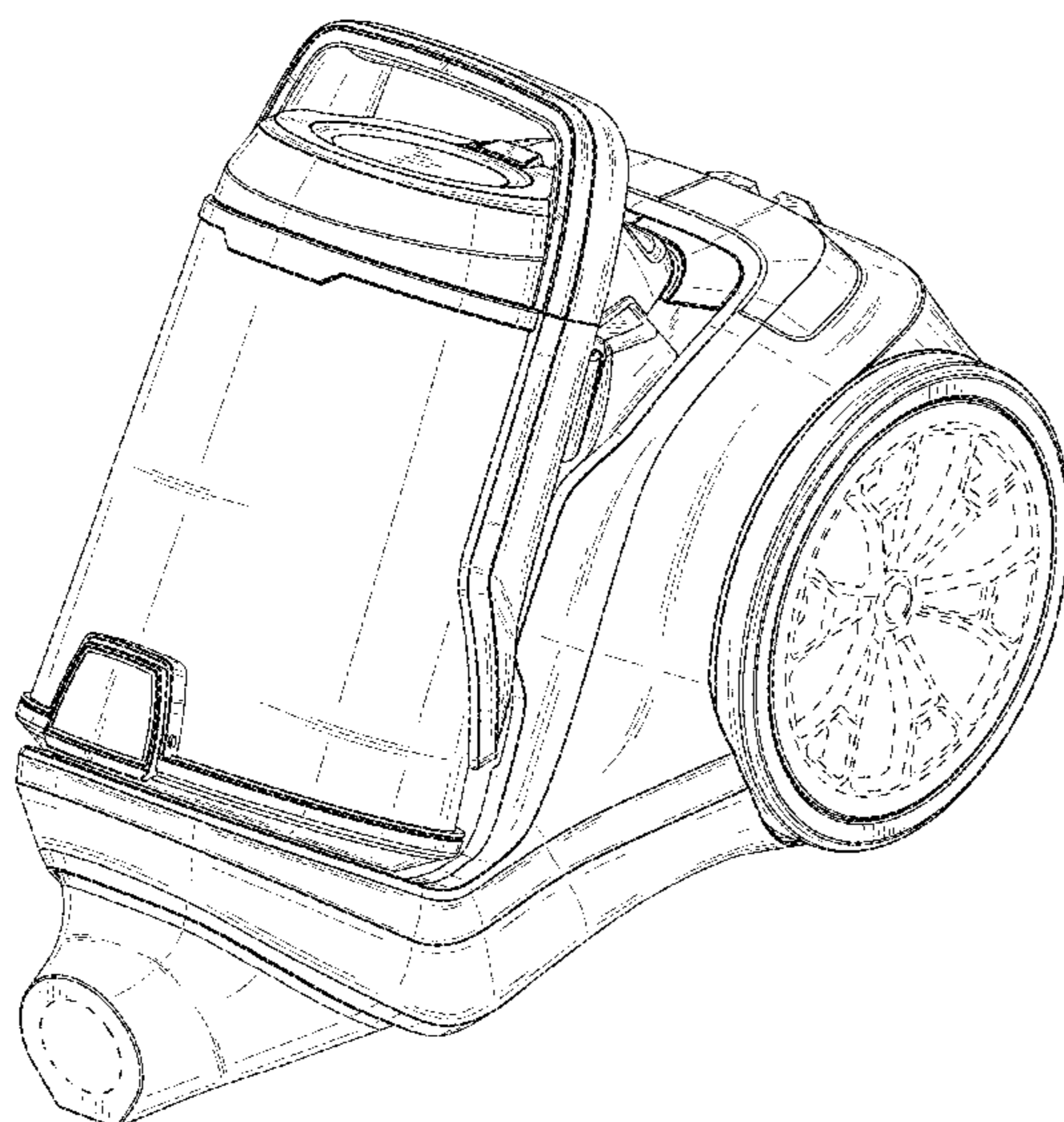
(57) **CLAIM**

The ornamental design for a vacuum cleaner canister, as shown and described.

DESCRIPTION

FIG. 1 is a front perspective view of a vacuum cleaner canister showing our new design;
FIG. 2 is a rear perspective view thereof;
FIG. 3 is a front view thereof;
FIG. 4 is a rear view thereof;
FIG. 5 is a right side view thereof; and,
FIG. 6 is a top view thereof.
The details of the vacuum cleaner canister shown in broken lines form no part of the claimed design.

1 Claim, 6 Drawing Sheets



(56)

References Cited

OTHER PUBLICATIONS

Canister Vacuum Cleaner, Panasonic MC-CL945 Plush Pro Canister Vacuum, announced 2020 [online], [site visited Sep. 23, 2020], Available from internet URL: <https://www.bestvacuumfor.com/panasonic-plush-pro-canister-review/> (Year: 2020).*

* cited by examiner

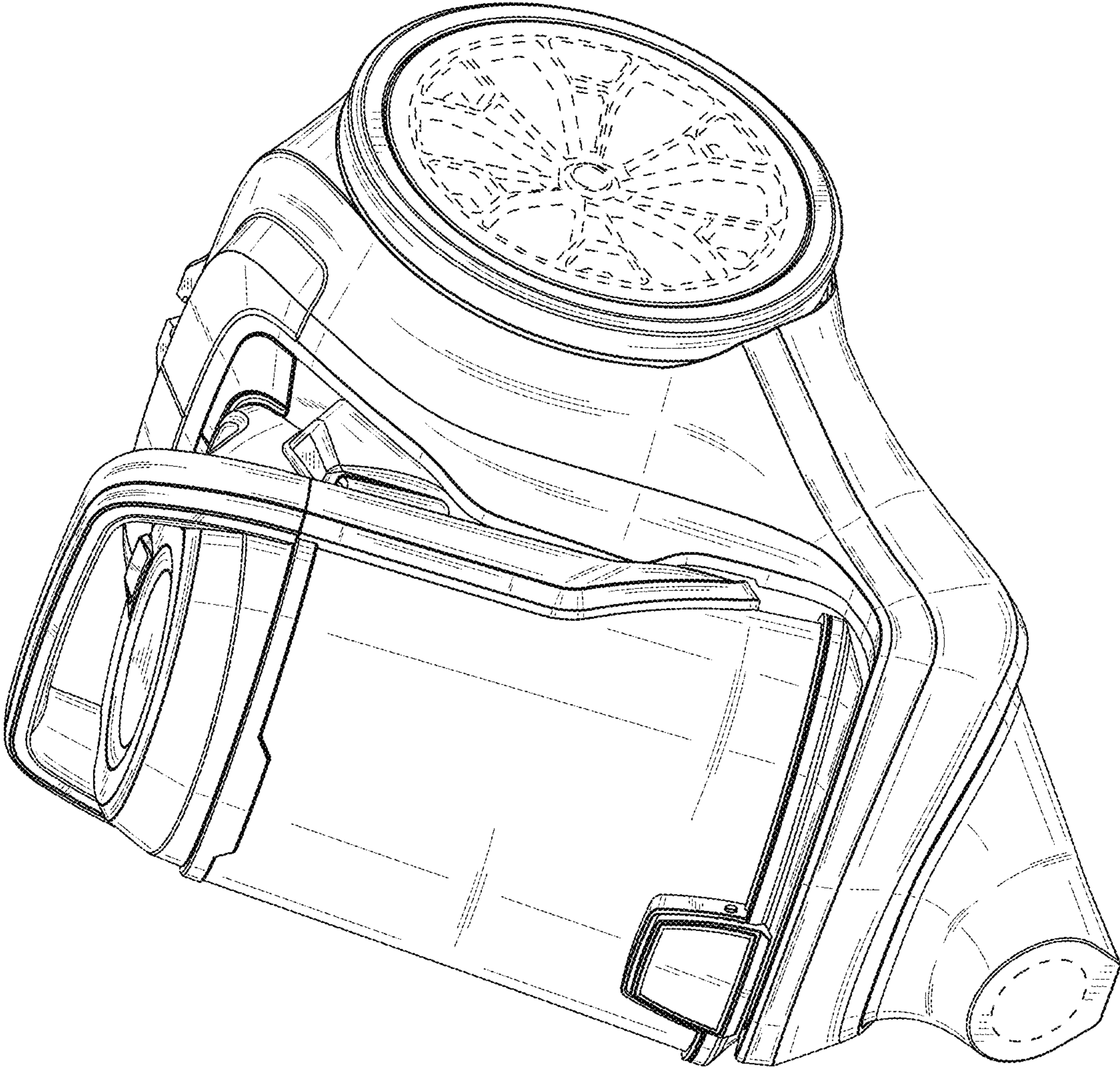


FIG. 1

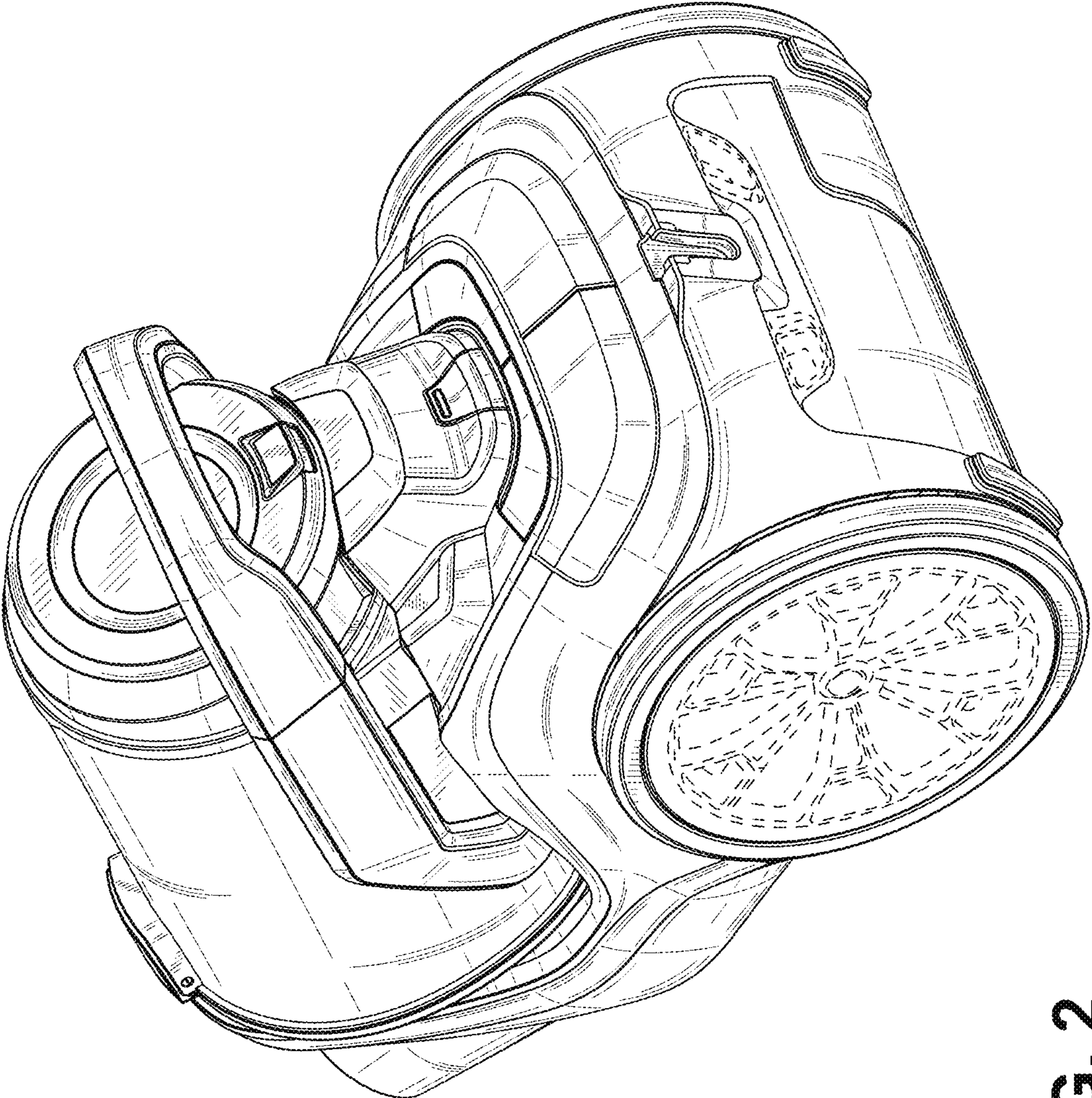


FIG. 2

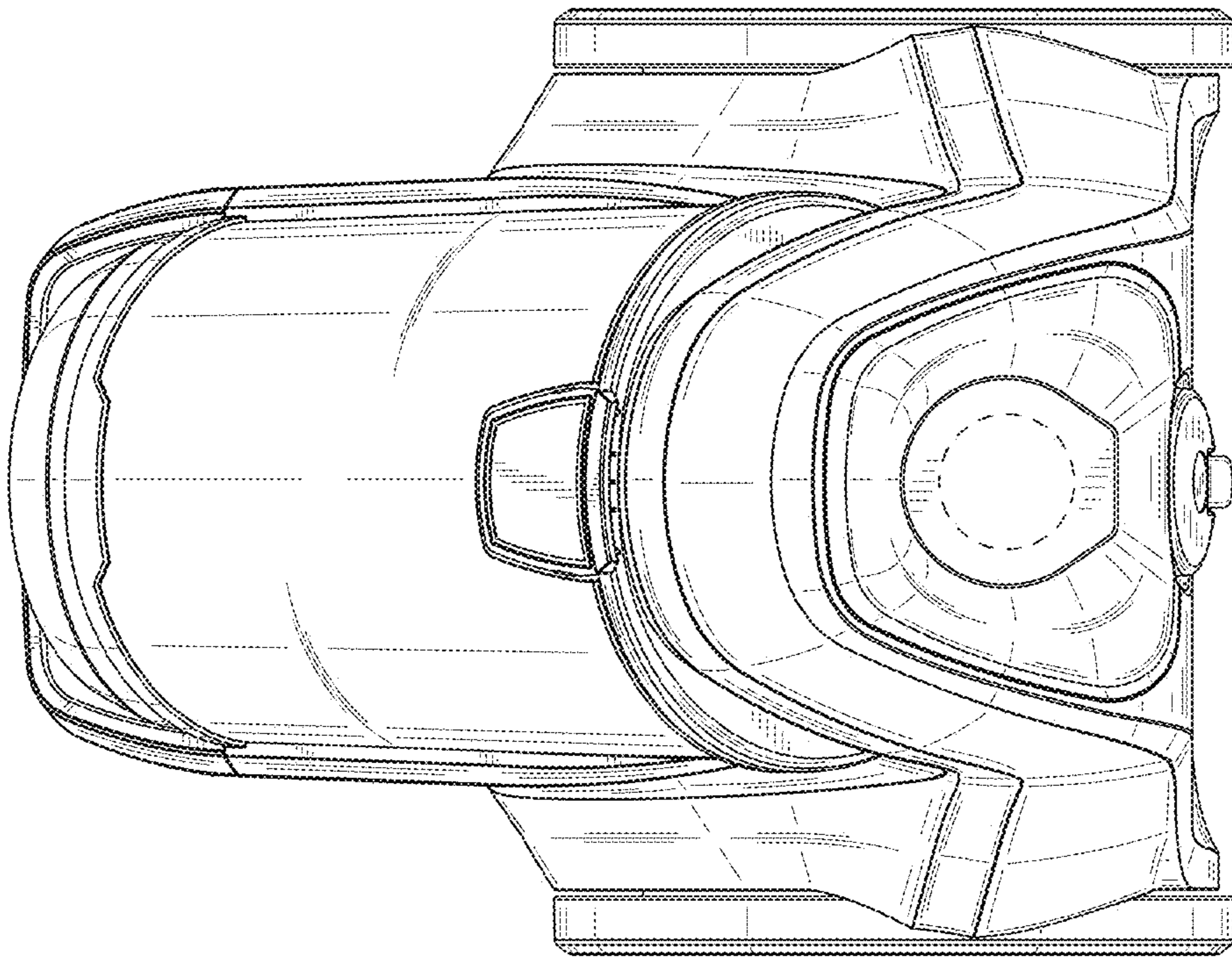


FIG. 3

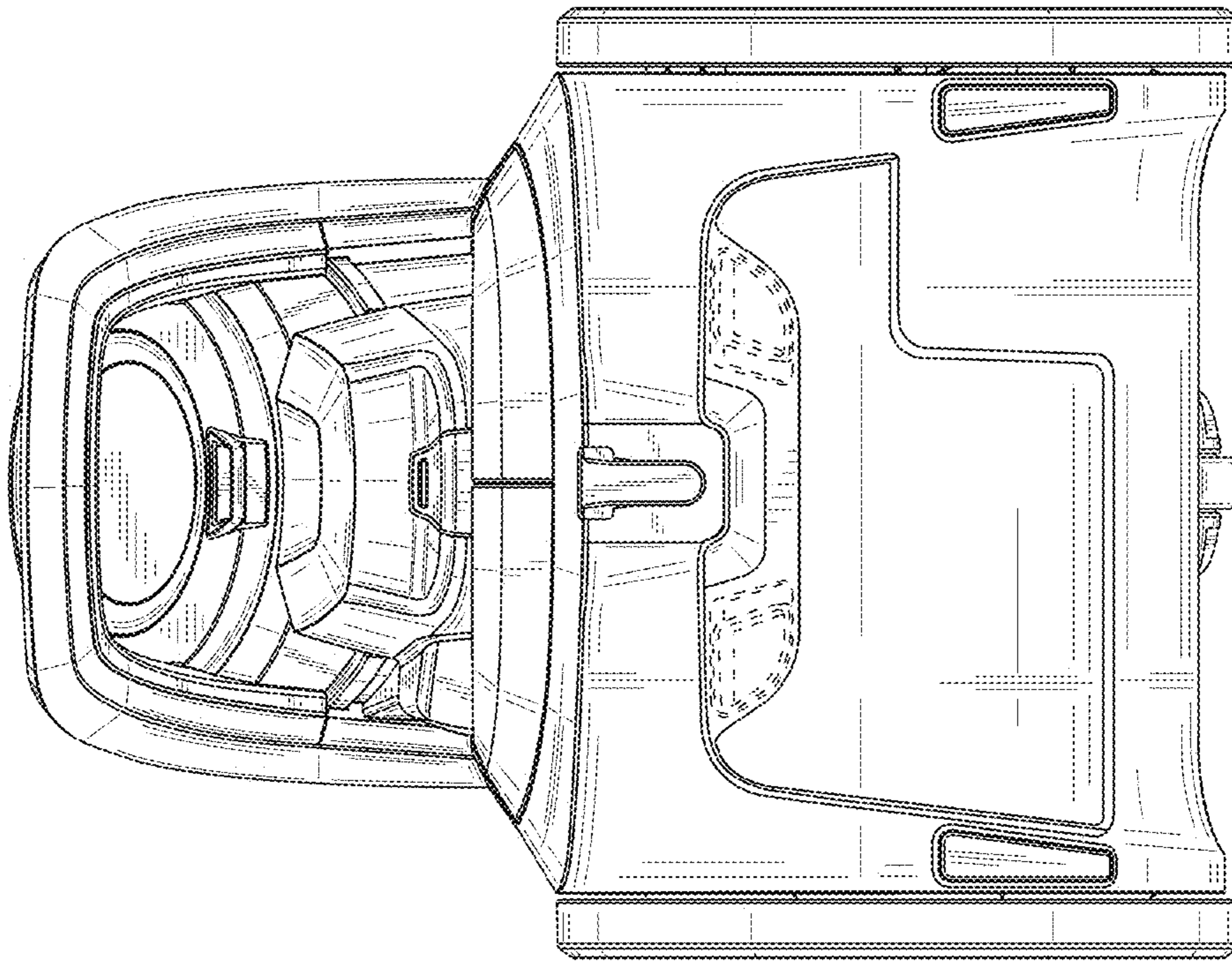


FIG. 4

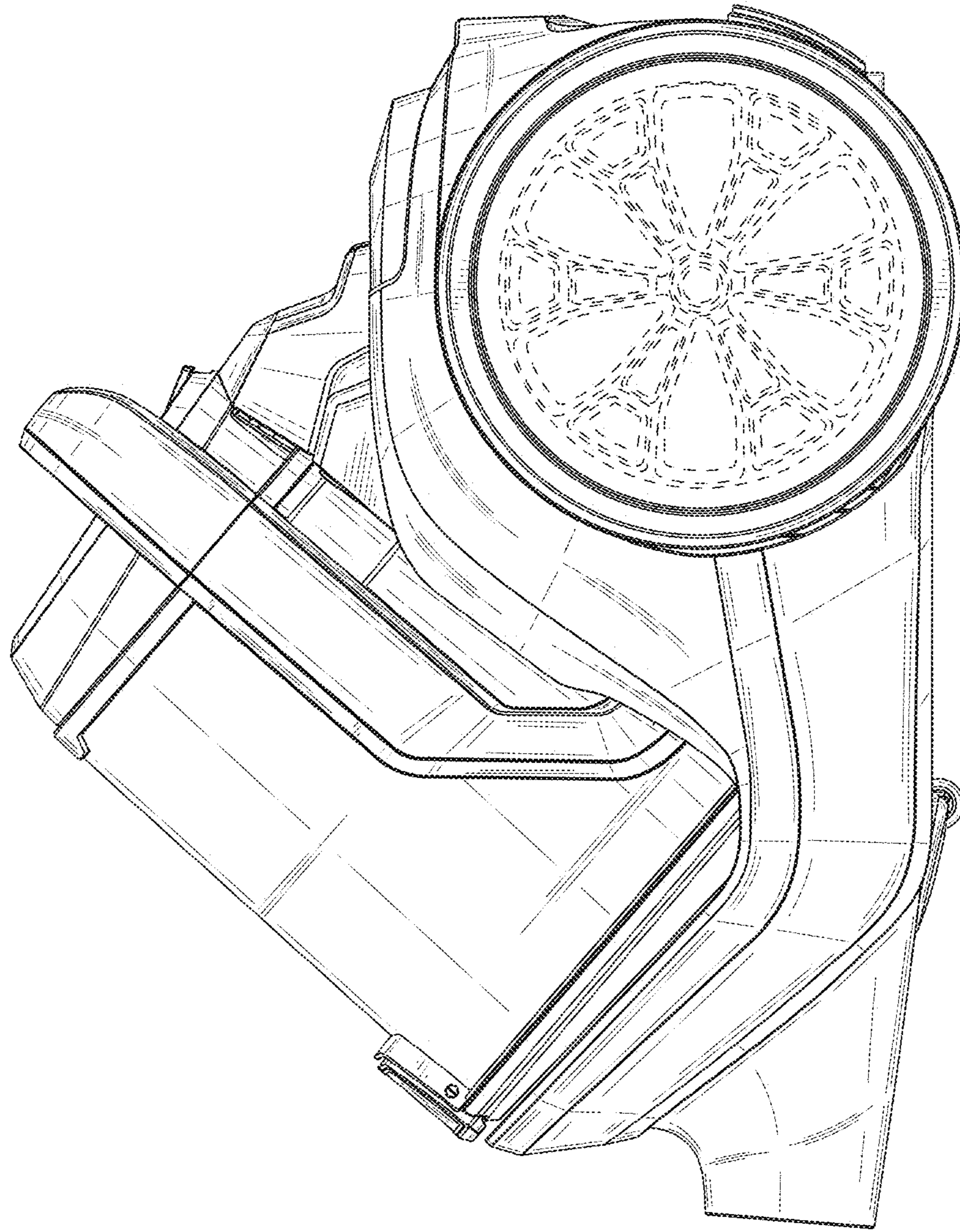


FIG. 5

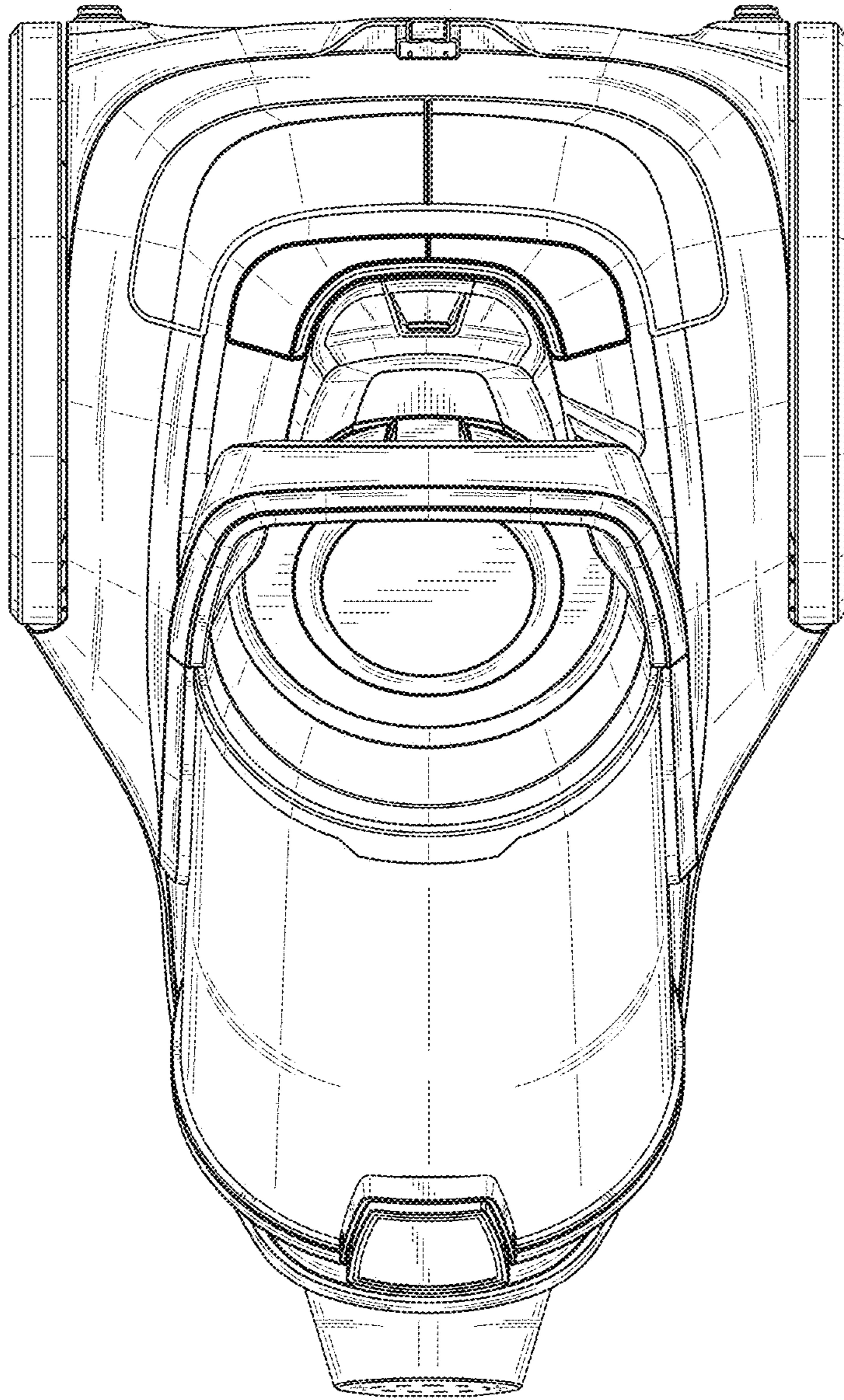


FIG. 6