

US00D910252S

(12) **United States Design Patent** (10) **Patent No.:** **US D910,252 S**
Schuetz et al. (45) **Date of Patent:** **** *Feb. 9, 2021**

(54) **TRAILER MOUNTED PRESSURE WASHER**

D223,039 S * 2/1972 Widmer D15/7
3,744,839 A * 7/1973 Stoneburner B60J 5/0498

(71) Applicant: **Northern Tool & Equipment Company, Inc.**, Burnsville, MN (US)

D233,545 S * 11/1974 Johns D32/16
D243,669 S * 3/1977 Webster D12/101

(72) Inventors: **John Schuetz**, Owatonna, MN (US);
Timothy Rancourt, Lakeville, MN (US);
Joseph DeGezelle, Lakeville, MN (US);
Kyle Hecimovich, Lonsdale, MN (US);
Nicholas Rancourt, Minneapolis, MN (US)

(Continued)

FOREIGN PATENT DOCUMENTS

AU 201812028 1/2018
AU 201812030 1/2018

(Continued)

(73) Assignee: **NORTHERN TOOL & EQUIPMENT COMPANY, INC.**, Burnsville, MN (US)

OTHER PUBLICATIONS

NorthStar ProShot Hot Water Commercial Pressure Washer Trailer—
3000 PSI, website 2019, site visited Dec. 4, 2019, https://www.northerntool.com/shop/tools/product_200732884_200732884.*

(Continued)

(*) Notice: This patent is subject to a terminal disclaimer.

(**) Term: **15 Years**

Primary Examiner — John R Yeh
(74) *Attorney, Agent, or Firm* — Fafinski Mark & Johnson, P.A.

(21) Appl. No.: **29/642,904**

(22) Filed: **Apr. 3, 2018**

(57) **CLAIM**

(51) **LOC (13) Cl.** **15-05**

The ornamental design for a trailer mounted pressure washer, as shown and described.

(52) **U.S. Cl.**

USPC **D32/16**

(58) **Field of Classification Search**

DESCRIPTION

USPC D32/15–19, 50–52, 43; D8/70; D12/95,
D12/101–102

CPC E04D 13/0765; A01G 20/47; A47L 11/30;
A47L 11/4066; A47L 11/4002; A47L
11/4011

See application file for complete search history.

FIG. 1 is a front, right perspective view of our design for a trailer mounted pressure washer;
FIG. 2 is a left, rear perspective view thereof;
FIG. 3 is a front elevation view thereof;
FIG. 4 is a rear elevation view thereof;
FIG. 5 is a left side elevation view thereof;
FIG. 6 is a right side elevation view thereof;
FIG. 7 is a top plan view thereof; and,
FIG. 8 is a bottom plan view thereof.

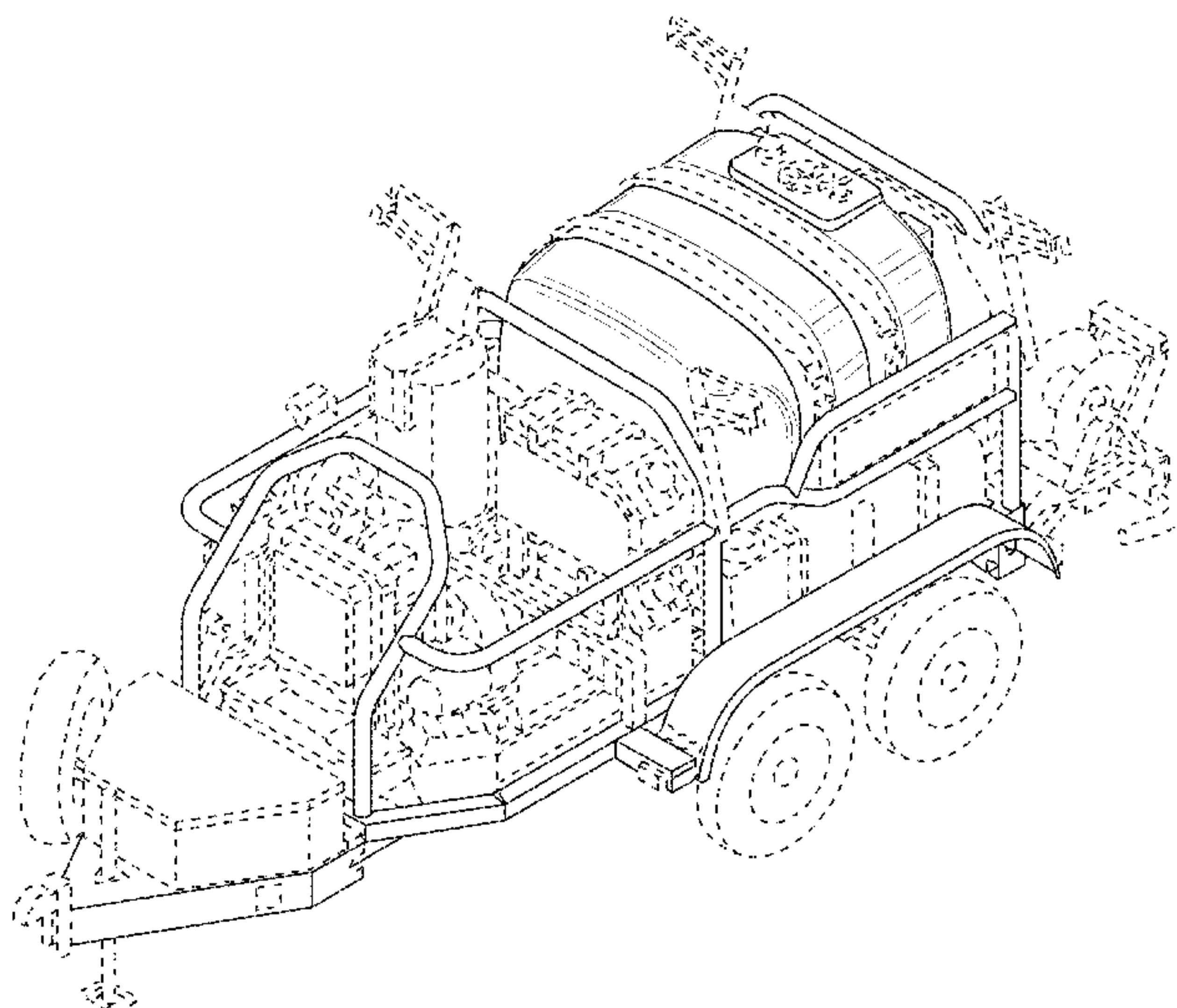
The broken lines in the figures represent portions of the trailer mounted pressure washer that form no part of the claimed design.

(56) **References Cited**

U.S. PATENT DOCUMENTS

127,822 A 6/1872 Ahrenbeck
D120,552 S * 5/1940 Kaul D12/101
D190,953 S * 7/1961 Peterson et al. D12/1
3,263,865 A 8/1966 Kachnik
D219,207 S * 11/1970 Holtkamp D12/101

1 Claim, 8 Drawing Sheets



(56)

References Cited

U.S. PATENT DOCUMENTS

4,032,167 A * 6/1977 Chereda B60P 3/07
410/3
D253,951 S * 1/1980 Waters D32/1
5,002,325 A 3/1991 Fought
5,299,767 A * 4/1994 Simpson B05B 15/00
239/175
5,704,989 A * 1/1998 Page A47L 11/34
134/10
D467,692 S * 12/2002 Morgan D32/15
D473,494 S 4/2003 Lieberman
6,715,195 B2 4/2004 Erickson
D530,242 S * 10/2006 Prusmack D12/101
D532,942 S * 11/2006 Busschaert D32/15
D534,099 S * 12/2006 Prusmack D12/101
7,300,073 B2 11/2007 Bachman
D570,058 S * 5/2008 Watson D32/1
D633,263 S * 2/2011 Fay D32/15
D634,083 S * 3/2011 Fay D32/15
D639,001 S * 5/2011 Alexander D32/15
D658,548 S * 5/2012 Silva e Costa D12/95
D659,595 S * 5/2012 Eliason D12/102
D714,691 S * 10/2014 Costello D12/95
D714,692 S * 10/2014 Costello D12/95
D726,382 S * 4/2015 Taylor D32/15
D732,764 S * 6/2015 Kennard D32/15
D759,547 S * 6/2016 Van Wyk D12/102
D824,612 S * 7/2018 Alexander D32/16
D824,613 S * 7/2018 Alexander D32/16
D834,269 S * 11/2018 Masters D32/15
2006/0102745 A1 * 5/2006 Dexter B05B 9/0855
239/146

FOREIGN PATENT DOCUMENTS

AU 201812032 1/2018
AU 201812033 1/2018
AU 201812037 M 1/2018
CL 2018001037 W 3/2018
CL 2018001038 W 3/2018
CL 2018001040 W 3/2018
CL 2018001041 W 3/2018
CL 2018001044 W 3/2018
CL 2016001032 W 4/2018
CL 2018001033 W 4/2018
CL 2018001034 W 4/2018
CL 2018001035 W 4/2018
CL 2018001036 W 4/2018
CL 2018001039 4/2018
CL 2018001042 W 4/2018
CL 2018001043 W 4/2018

OTHER PUBLICATIONS

NorthStar ProShot Hot Water Commercial Pressure Washer Trailer—
4000 PSI, website questions 2018, https://www.northerntool.com/shop/tools/product_200697186_200697186, site visited Dec. 4, 2019.*
Trailer Pressure Washer Units | Hotsy Industrial website 2020, <https://www.hotsy-az.com/trailers>, site visited Jun. 2, 2020.*

Gas Pressure Washers | Simpson 95000 Mobile Trailer, GLocal Industrial website 2020, https://www.globalindustrial.com/...aram.campaignId=T9F&gclid=EAlalQobChMIs-320efj6QIVkorlCh2zzAWZEAYYBCABEgJ0uPD_BwE, site visited Jun. 2, 2020.*
<https://amazon.com/26x102-Gooseneck-Trailer-zplsndzsd-26XT/dp/B01E9CXTFWC> (Nov. 28, 2016).
https://amazon.com/dp/B01E9XGG9M/ref=psdc_5743826011_13_B01EQK3L21 (Nov. 28, 2016).
https://amazon.com/dp/B01EQK3L2/ref=psdc_5743826011_11_B01E9XTFWC (Apr. 24, 2016).
https://amazon.com/dp/B01EQK3L2/ref=psdc_5743826011_13B01EQKJOB0 (Apr. 24, 2016).
<https://northerntool.com/images/downloads/manuals/157567.pdf> (it is believed the link was published by Applicant on or around Jan. 29, 2019).
<http://web.archive.org/web/20150906105925/http://www.northerntool.com/images/downloads/manuals/157595.pdf>.
<http://web.archive.org/web/20160531105620/http://ultimatewasher.com/trailer-pressure-power-washers.htm>.
<https://web.archive.org/web/20161025170211/http://powerlineindustriesreviews.com/index/php/trailer-power-washers>.
<http://web.archive.org/web/20170903074431/https://www.ramteg.com/en/custom-trailers-photos>.
<http://web.archive.org/web/20171010041329/http://wet-inc.com/oil-field-cleaning/>.
Letter by Goytia & Associates regarding second Office Action/Notification of Examination Report for Chilean Patent Application No. 2018-01039, said letter dated Dec. 27, 2019, and interpreting the report issued by Chilean PTO.
Owner’s Manual M157563D.3-Trailer Mounted Hot Water/Steam Pressure Water-Item No. 157563, <https://northerntool.com/images/downloads/manuals/157563.pdf>.
Trailer Mounted Hot Water/Steam Pressure Water 3000 PSI/4.0GPM, (item No. 157561 <https://www.northerntool.com/images/downloads/manuals/157561.pdf>.
“<https://northerntool.com/images/downloads/manuals/157569.pdf>.”
“Letter by Goytia & Associates regarding Office Action/Notification of Examination Report for Chilean Patent Application No. 2018-01039, said letter dated Jun. 14, 2019, and interpreting the report dated Apr. 20, 2018 issued by Chilean PTO.”
“Report dated Apr. 20, 2018 for Chilean Patent Application No. 2018-01039, issued by the Chilean PTO.”
“<https://www.youtube.com/watch?v=HPSQVOrCVq0>.”
“<https://www.youtube.com/watch?v=fdhbvrFpYU0>.”
“<http://web.archive.org/web/20170703230502/https://www.pressurewashersdirect.com/Cam-Spray=CBG5055HT-Pressure-Washer/p10381.html/>.”
“<https://web.archive.org/web/20161025170211/http://landamidwest.com/products/mobile-wash-trailers/tr-60000-series>.”
“<https://web.archive.org/web/20161105004125/http://powerlineindustriesreviews.com/index/php/trailer-power-washers>.”
“With respect to the above referenced application, Applicant believes that the link <https://northerntool.com/images/downloads/manuals/157565.pdf> was published by Applicant on or around Nov. 29, 2018.”
“Remarks letter by Applicant.”

* cited by examiner

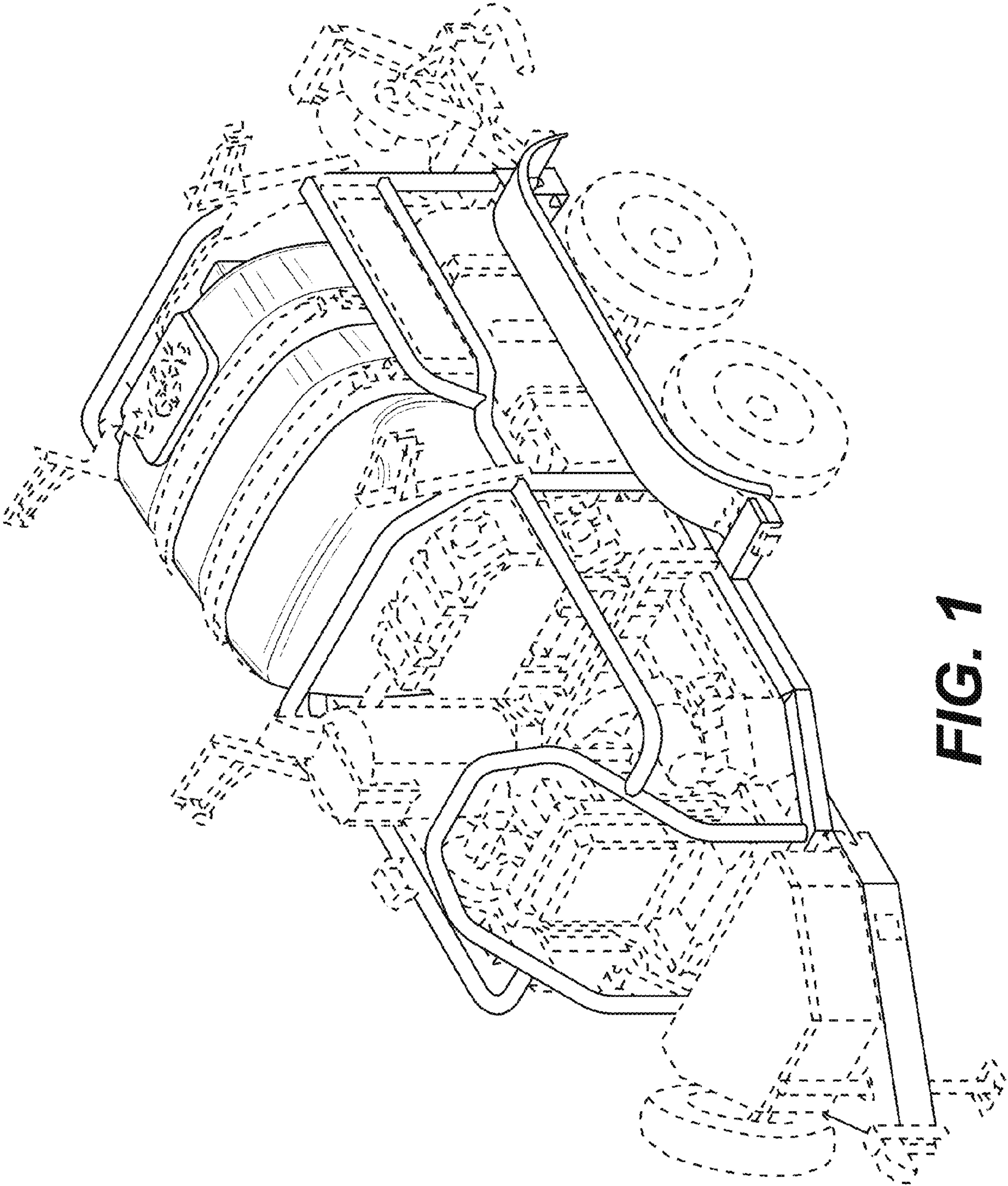


FIG. 1

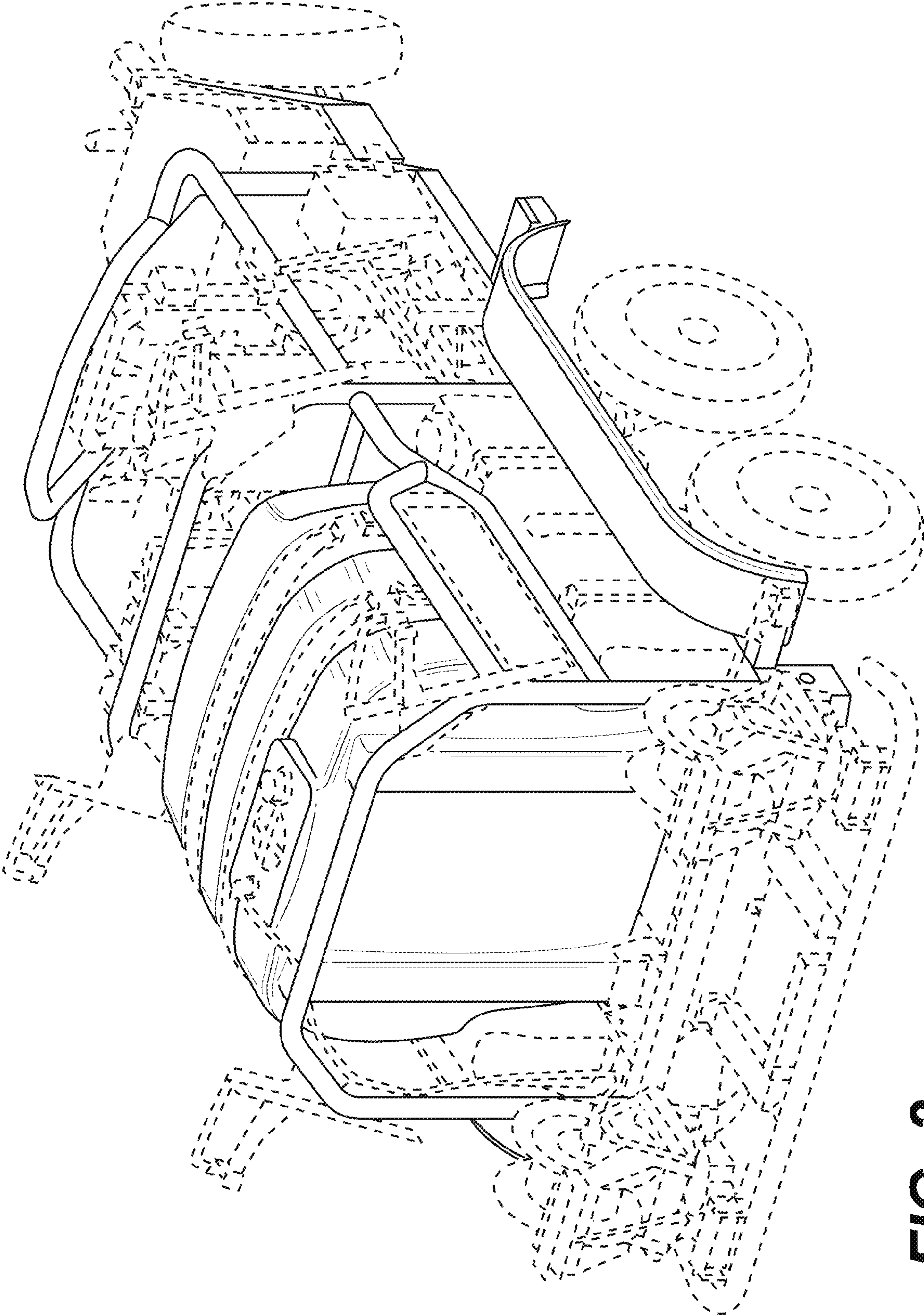


FIG. 2

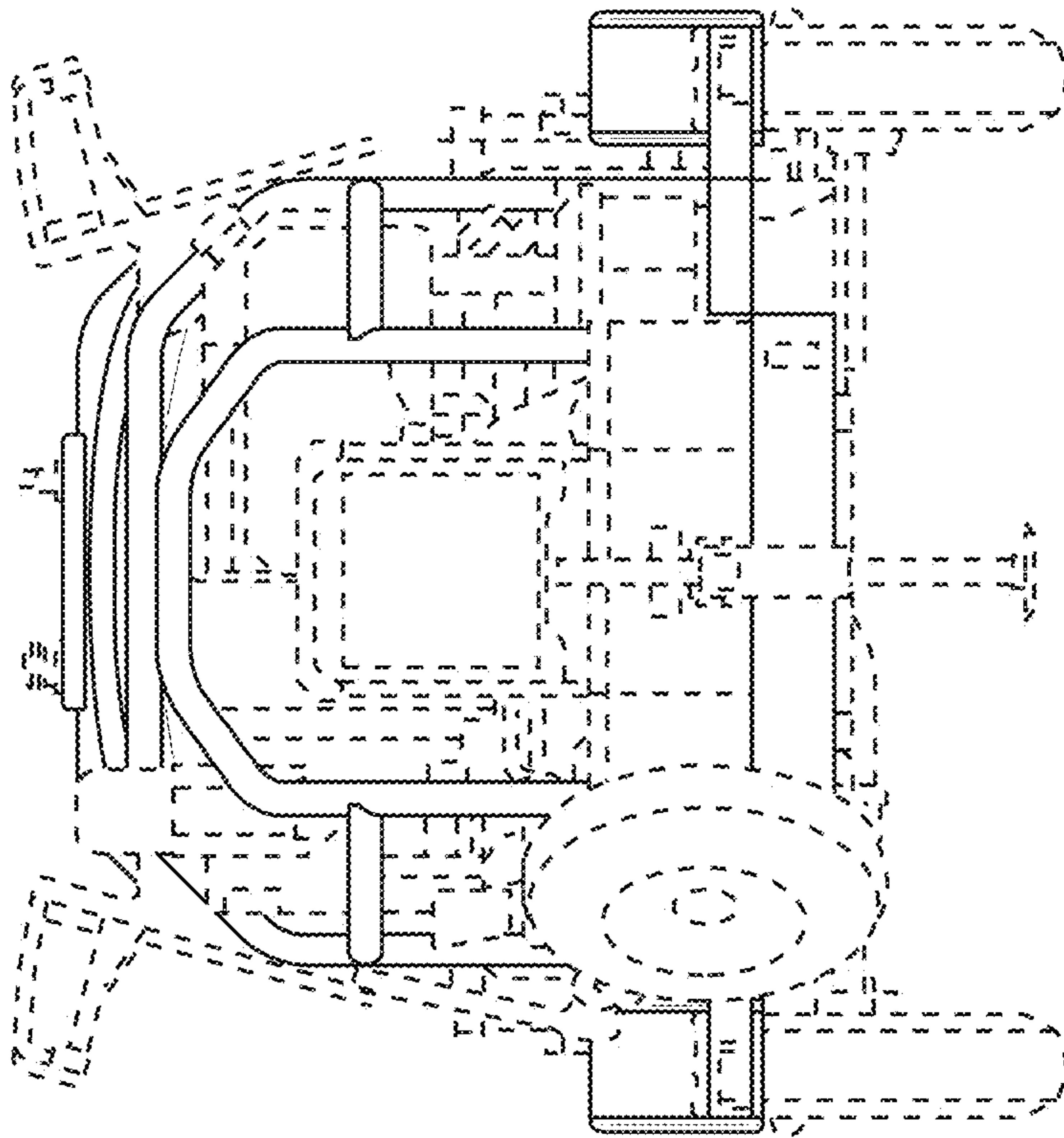


FIG. 3

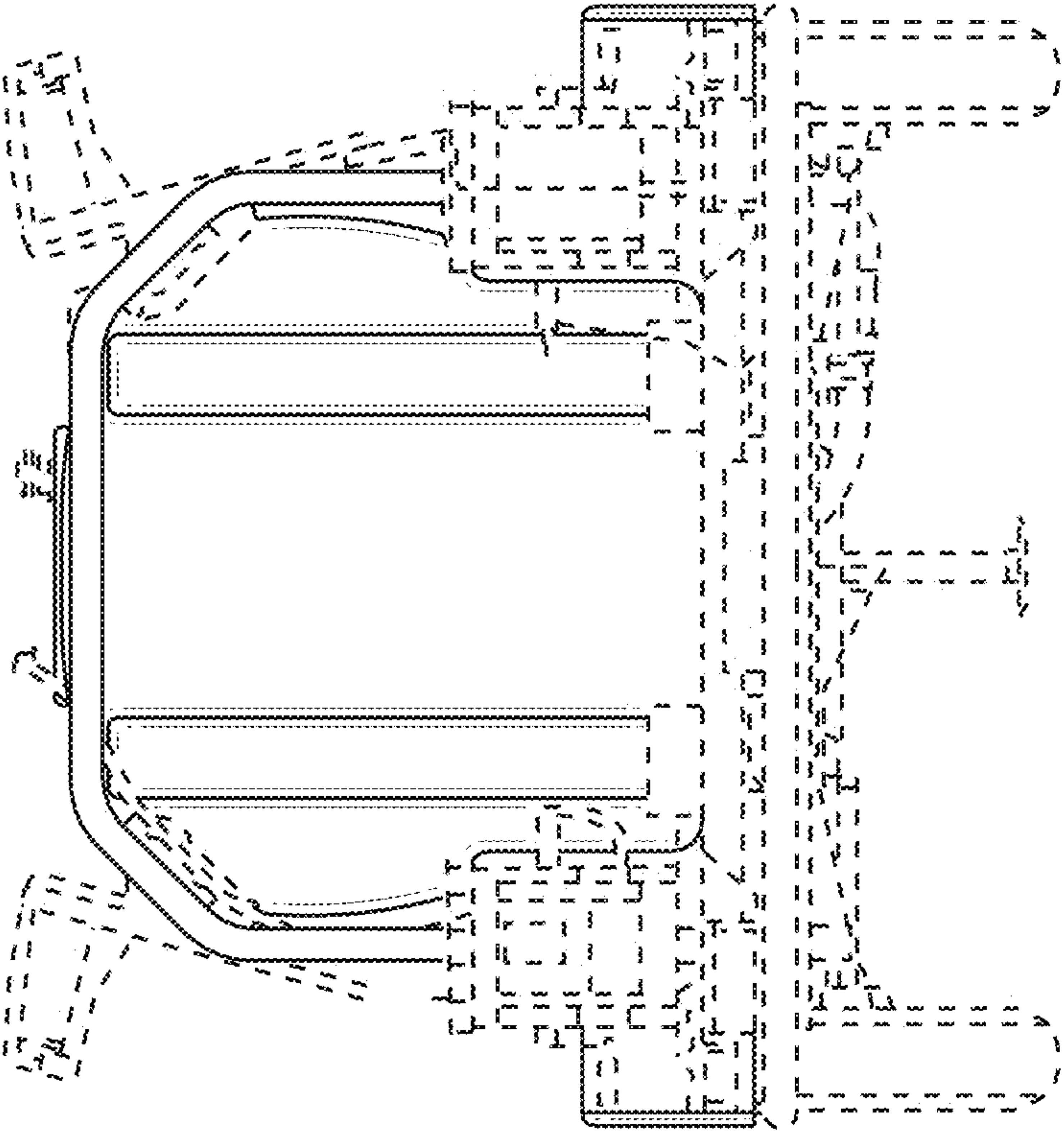


FIG. 4

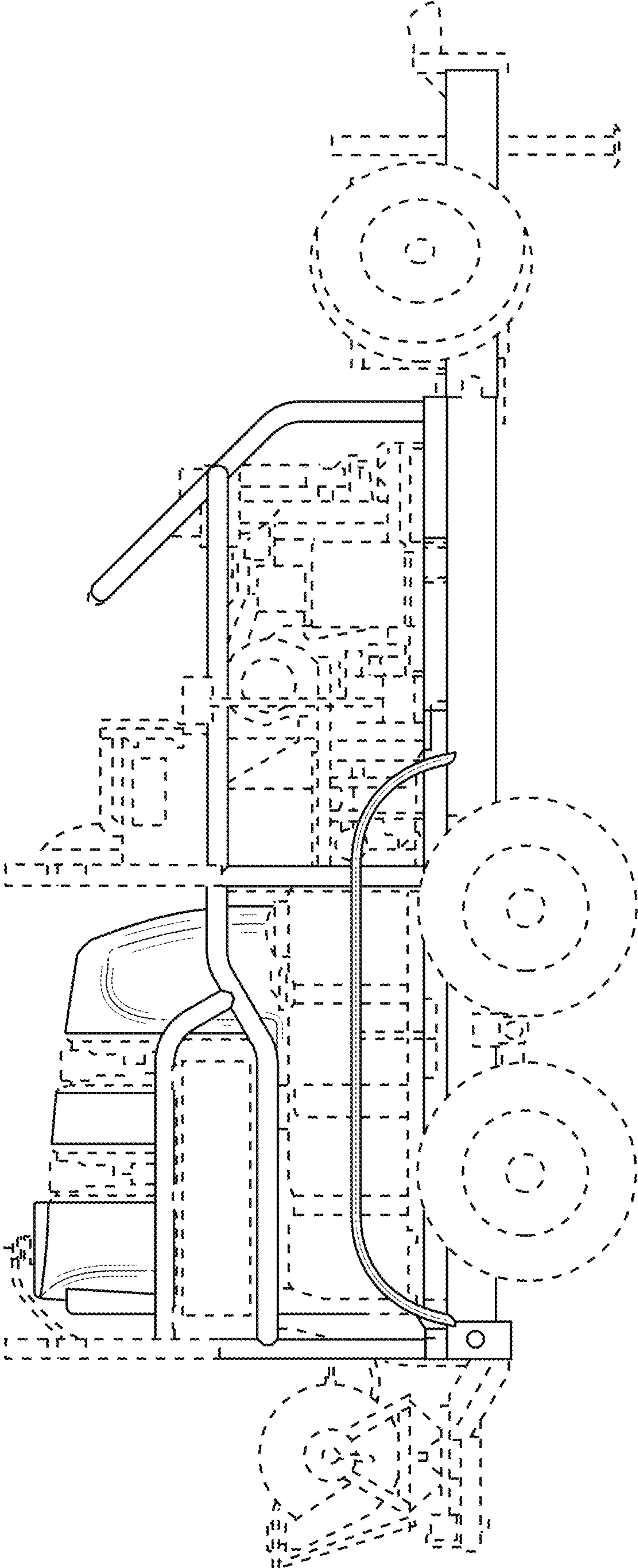


FIG. 5

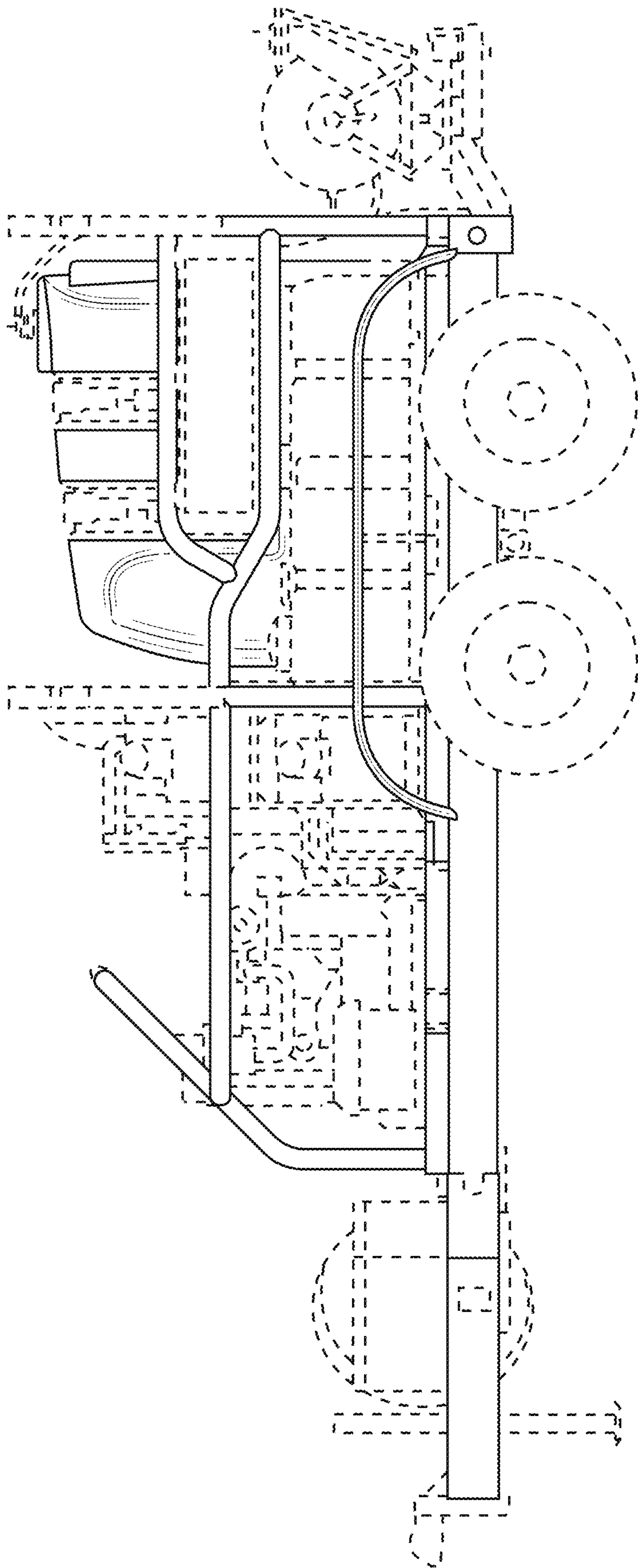


FIG. 6

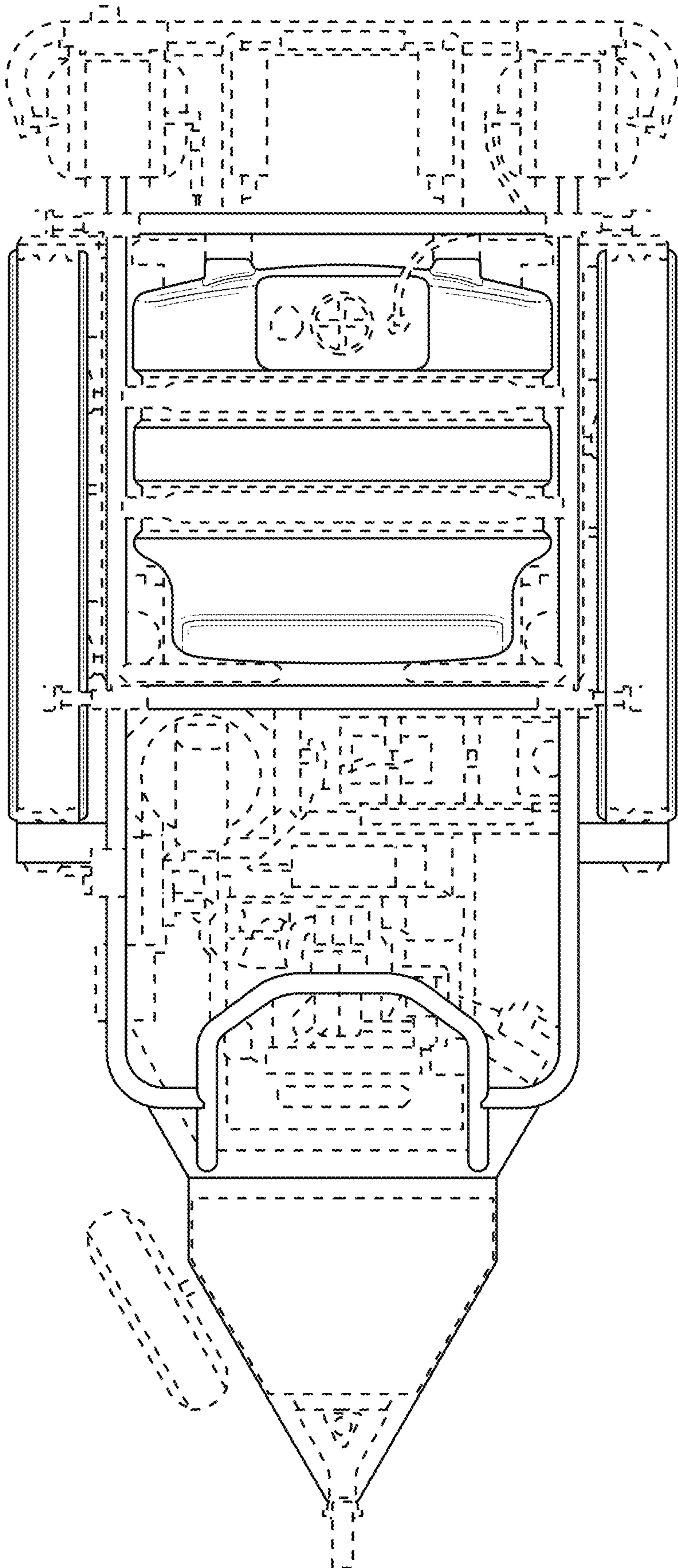


FIG. 7

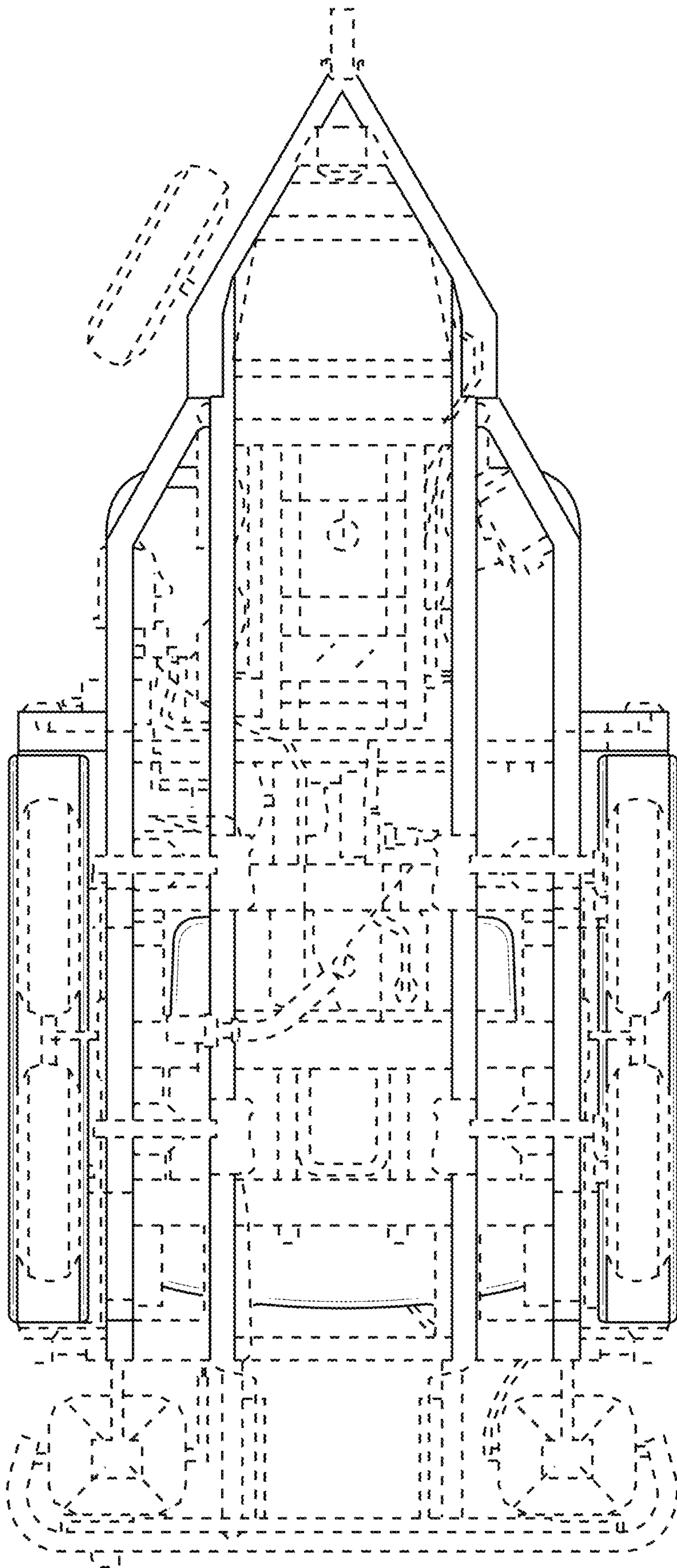


FIG. 8