



US00D910251S

(12) **United States Design Patent** (10) **Patent No.:** **US D910,251 S**  
**Lan et al.** (45) **Date of Patent:** **\*\* Feb. 9, 2021**

(54) **PIPE CLEARING APPARATUS**  
(71) Applicant: **Shenzhen Aukey E-Business Co., Ltd.**,  
Shenzhen (CN)  
(72) Inventors: **Yi Lan**, Shenzhen (CN); **Shiyong Feng**,  
Shenzhen (CN)  
(\*\*) Term: **15 Years**  
(21) Appl. No.: **29/673,223**  
(22) Filed: **Dec. 13, 2018**  
(51) **LOC (13) Cl.** ..... **15-05**  
(52) **U.S. Cl.**  
USPC ..... **D32/14**  
(58) **Field of Classification Search**  
USPC ..... D32/14  
CPC ..... E03C 1/302; E03F 9/00; B24B 23/02  
See application file for complete search history.

(56) **References Cited**

**U.S. PATENT DOCUMENTS**

2,167,268 A \* 7/1939 Sanger ..... E03F 9/005  
15/104.33  
2,769,191 A \* 11/1956 Hunt ..... E03F 9/005  
15/104.33  
D189,445 S \* 12/1960 Hunt ..... D32/14  
D189,840 S \* 3/1961 Levine ..... D32/14  
D201,349 S \* 6/1965 Bollinger ..... D32/14  
3,224,024 A \* 12/1965 Hunt ..... E03F 9/005  
15/104.33  
D307,496 S \* 4/1990 Moss ..... D32/14  
D339,431 S \* 9/1993 Meyer ..... D32/14  
D625,058 S \* 10/2010 Kovach ..... D32/14  
D650,954 S \* 12/2011 Patterson ..... D32/14  
D670,874 S \* 11/2012 Hohl ..... D32/14  
8,434,186 B2 \* 5/2013 Wildauer ..... E03F 9/005  
15/104.33  
10,189,060 B2 \* 1/2019 Hsu ..... B08B 9/04  
D849,339 S \* 5/2019 Fan ..... D32/14  
10,443,225 B2 \* 10/2019 Hoyt ..... B08B 9/045

2011/0191969 A1\* 8/2011 Wildauer ..... E03F 9/005  
15/104.33  
2017/0232484 A1\* 8/2017 Kehoe ..... B65H 75/364  
15/104.095  
2017/0268216 A1\* 9/2017 Cole ..... E03C 1/302  
2018/0142458 A1\* 5/2018 Bowles ..... E03C 1/302

**FOREIGN PATENT DOCUMENTS**

KR 300260329.0000 \* 7/2000

**OTHER PUBLICATIONS**

Drain Cleaning Tools | Supply.com, website 2020, [https://www.supply.com/browse?refinements=visualVariant.nonvisualVariant.Brand%3D . . .](https://www.supply.com/browse?refinements=visualVariant.nonvisualVariant.Brand%3D...) site visited May 11, 2020.\*

\* cited by examiner

*Primary Examiner* — John R Yeh  
(74) *Attorney, Agent, or Firm* — ZANIP

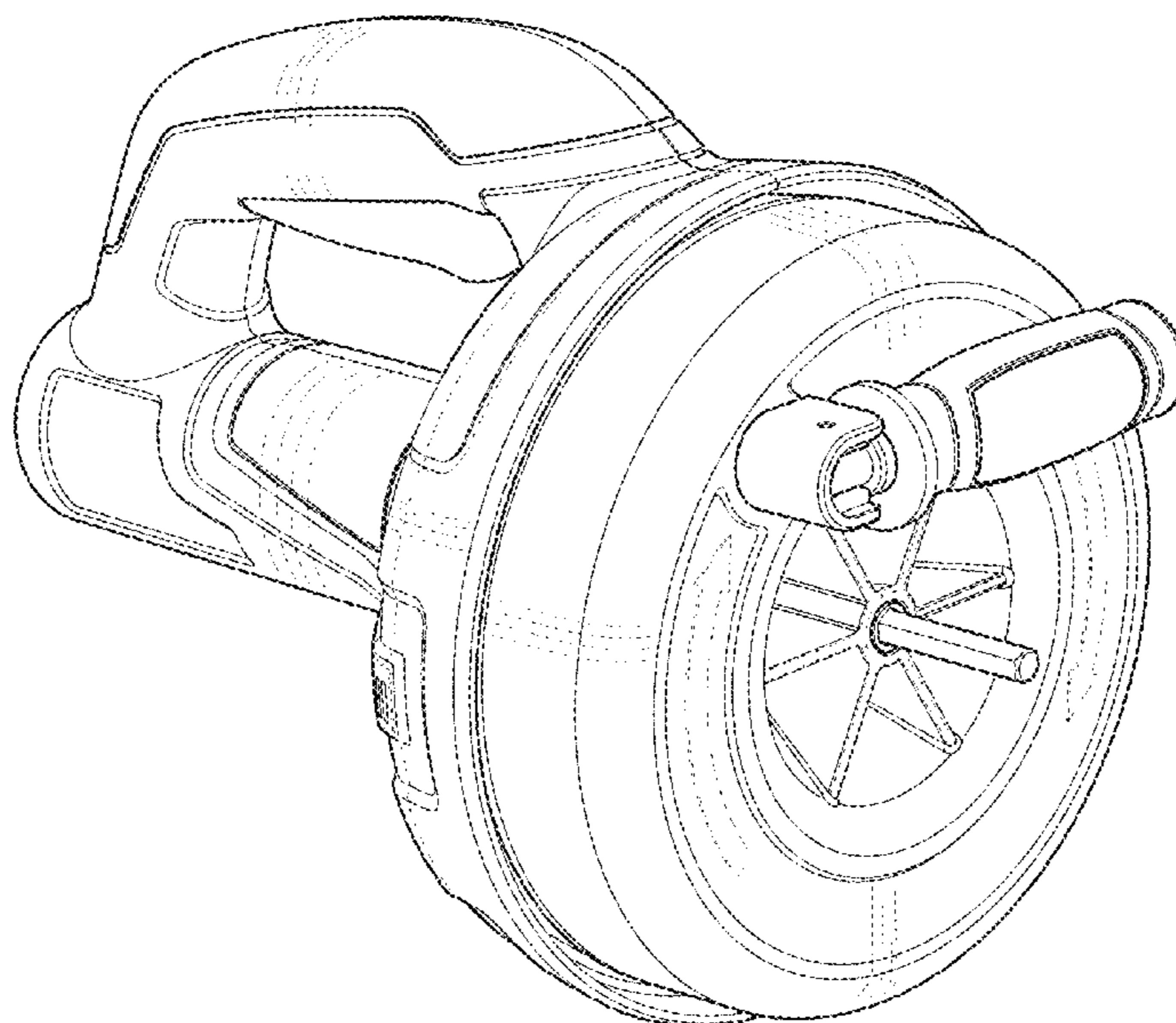
(57) **CLAIM**

The ornamental design for a pipe clearing apparatus, as shown and described.

**DESCRIPTION**

FIG. 1 is a front elevational view of our new design for a pipe clearing apparatus;  
FIG. 2 is a rear elevational view thereof;  
FIG. 3 is a left side elevational view thereof;  
FIG. 4 is a right side elevational view thereof;  
FIG. 5 is a top plan view thereof;  
FIG. 6 is a bottom plan view thereof;  
FIG. 7 is a front, right side perspective view thereof; and,  
FIG. 8 is a front, right side perspective view in an alternate configuration thereof;  
The broken lines illustrate portions of the pipe clearing apparatus that form no part of the claimed design.

**1 Claim, 8 Drawing Sheets**



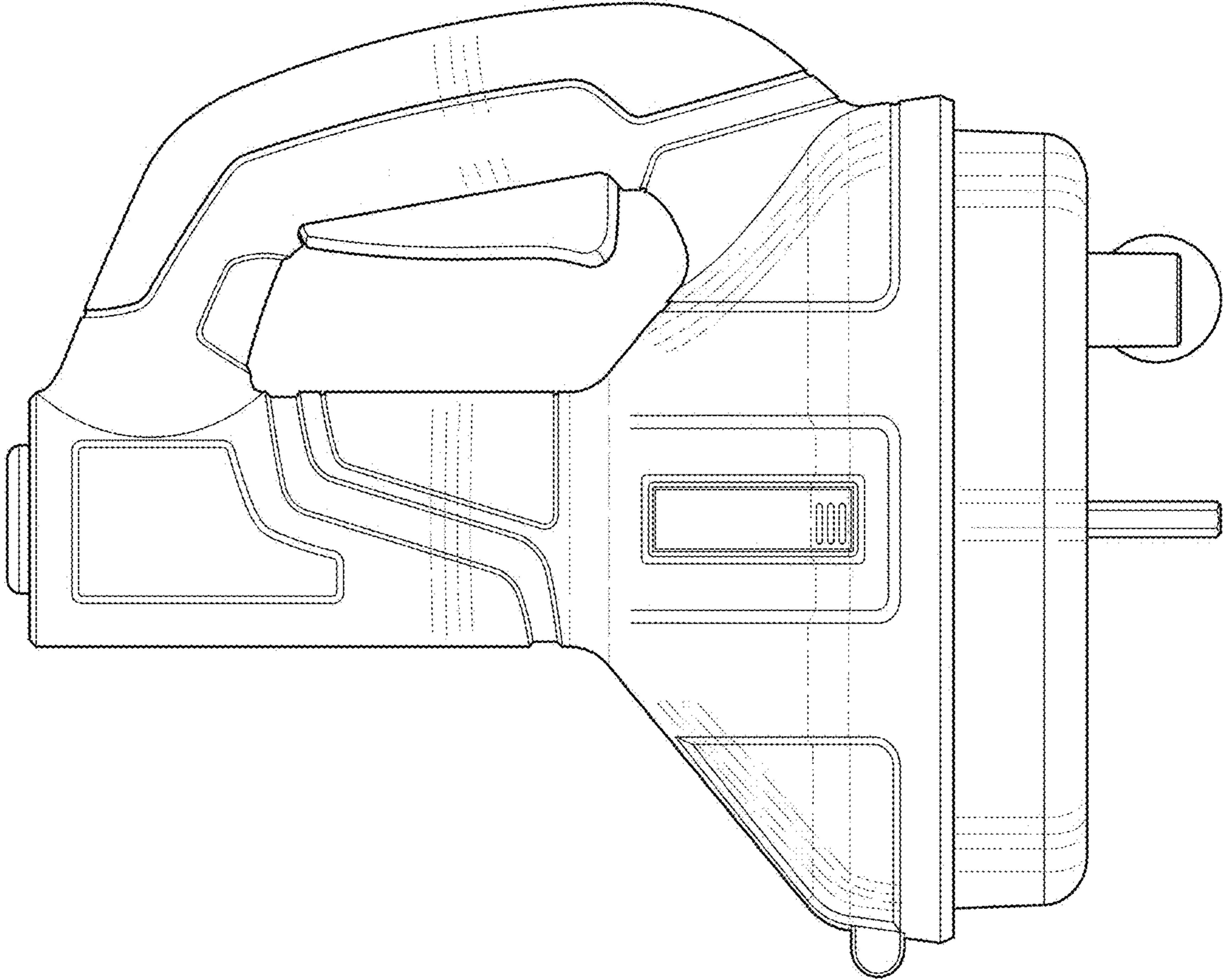


FIG. 1

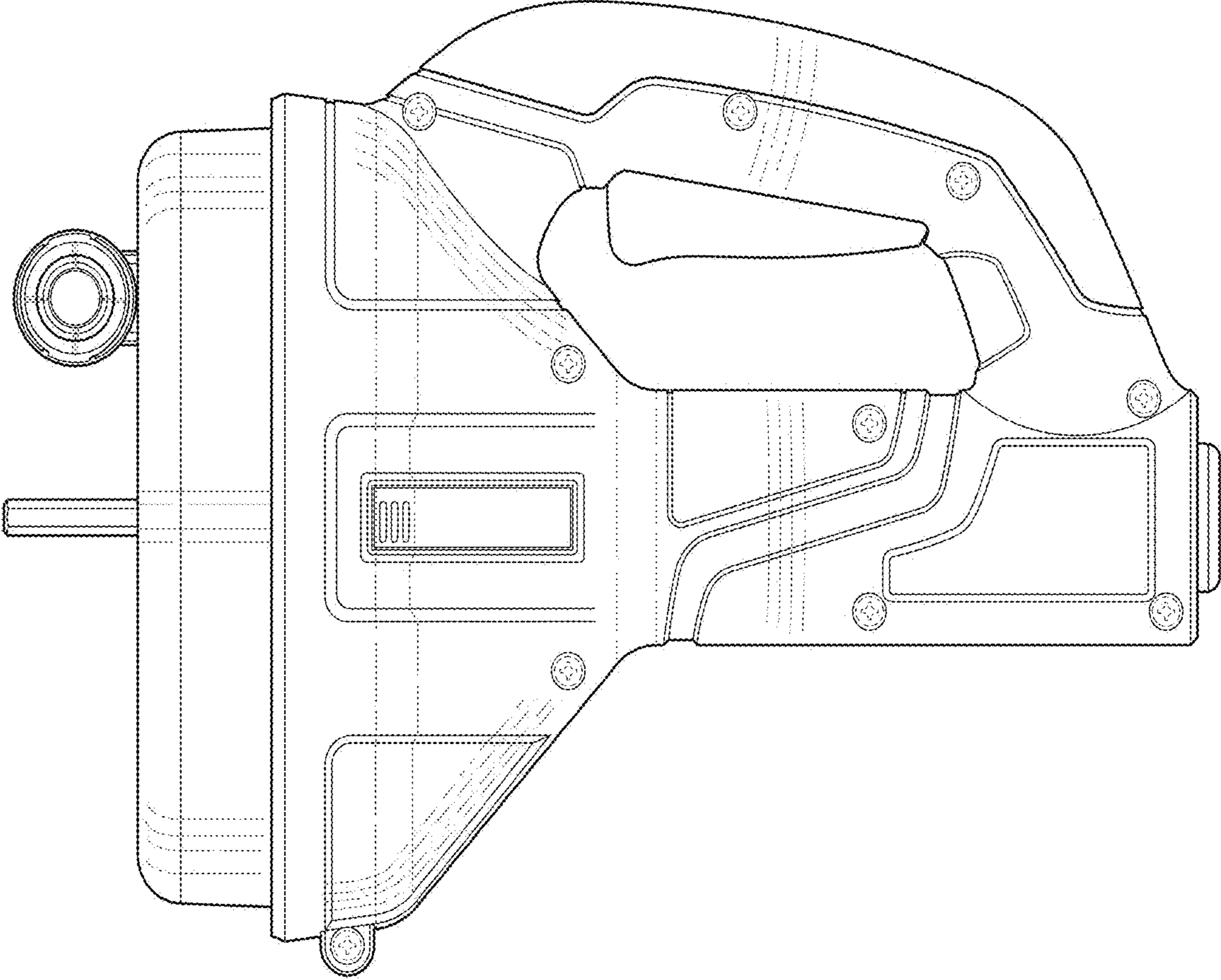


FIG. 2

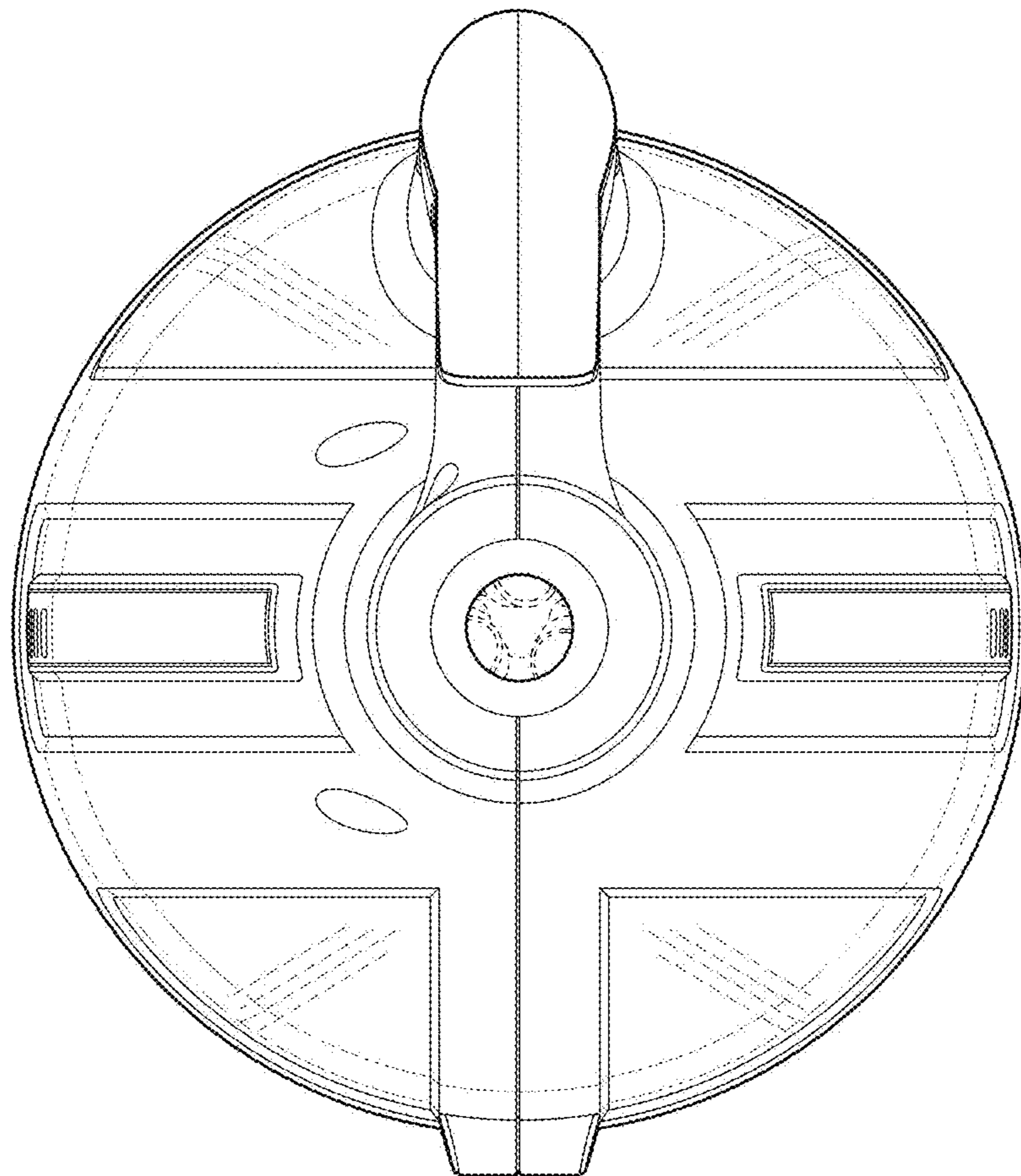


FIG. 3

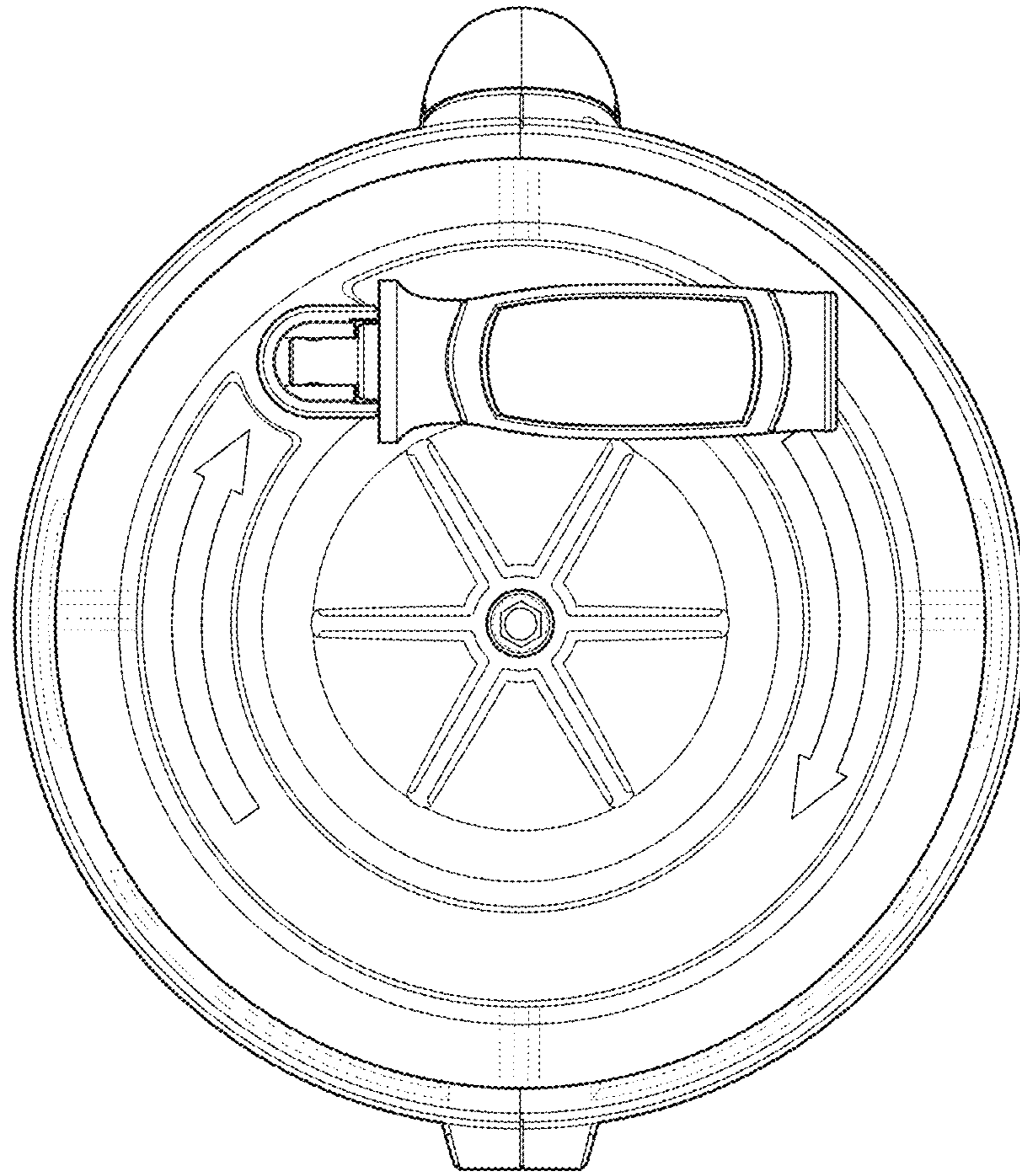


FIG. 4

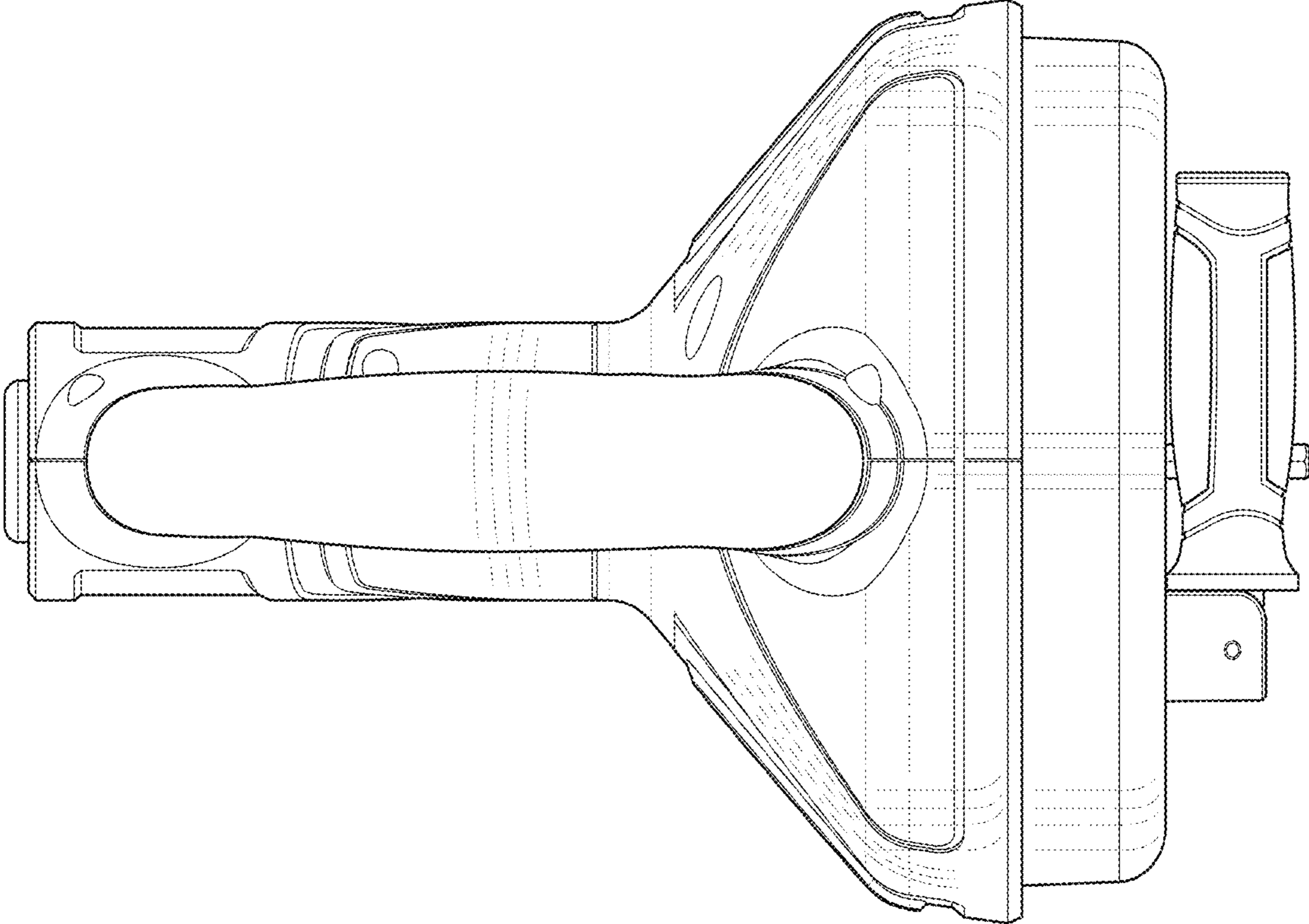


FIG. 5

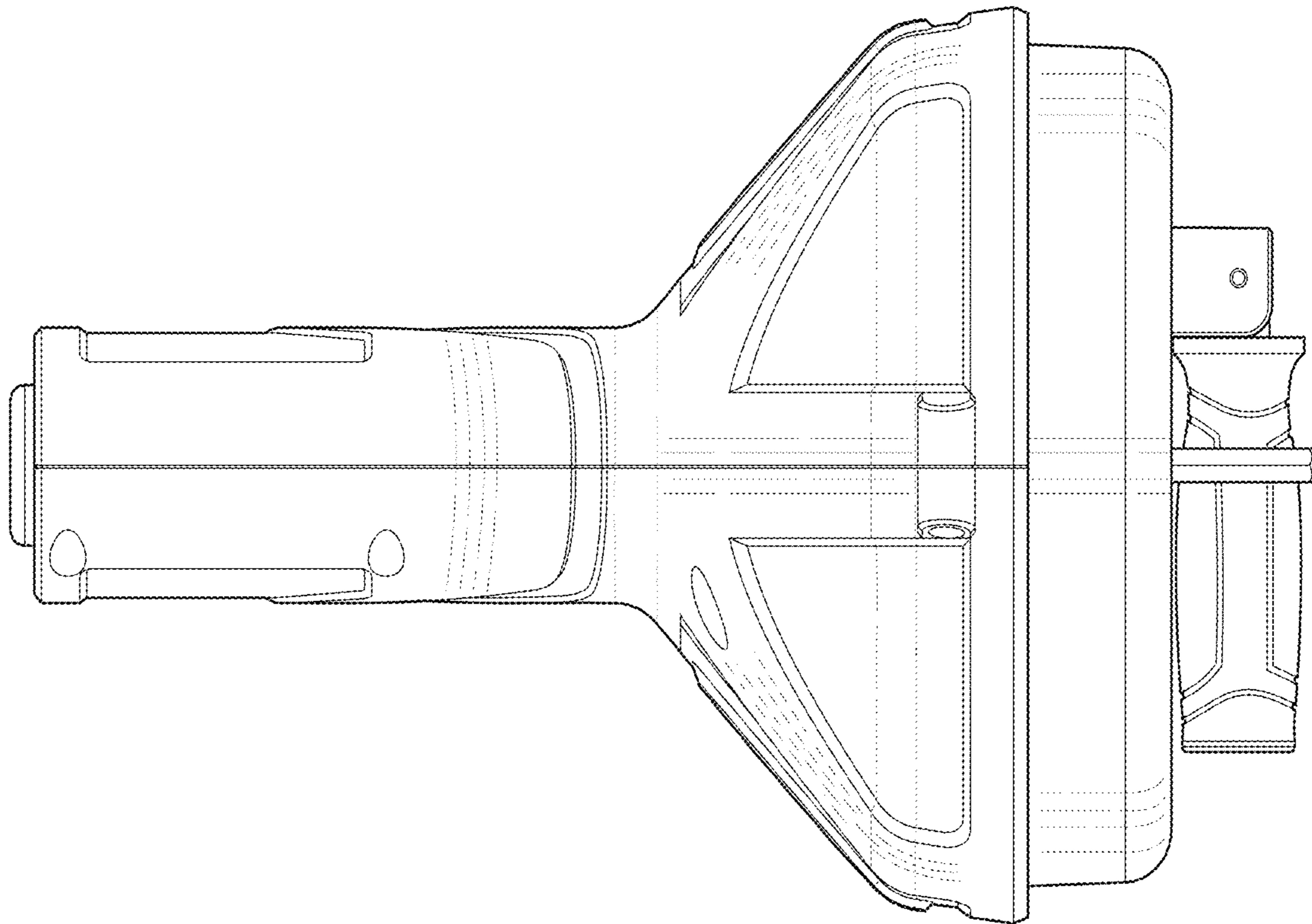


FIG. 6

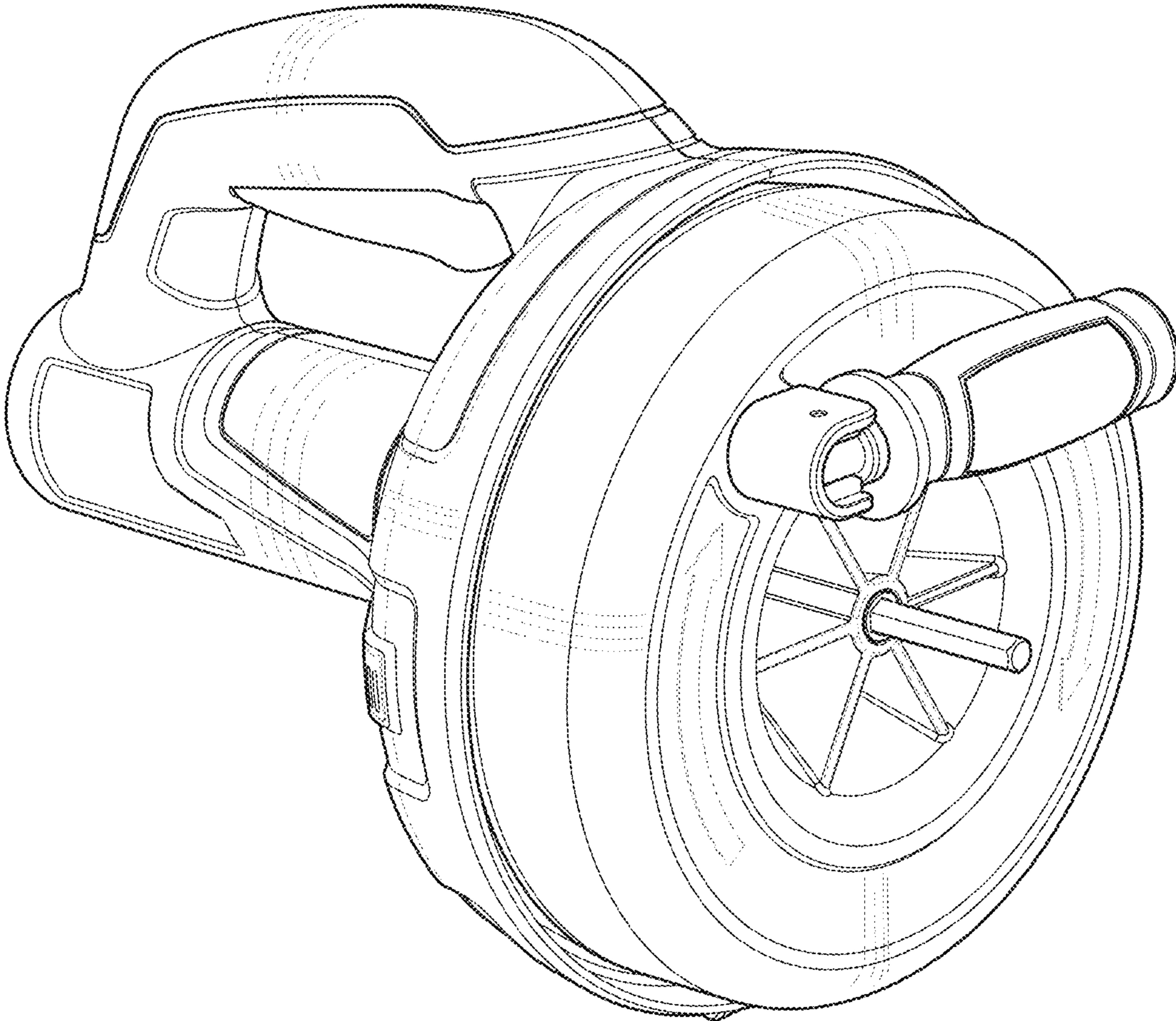


FIG. 7



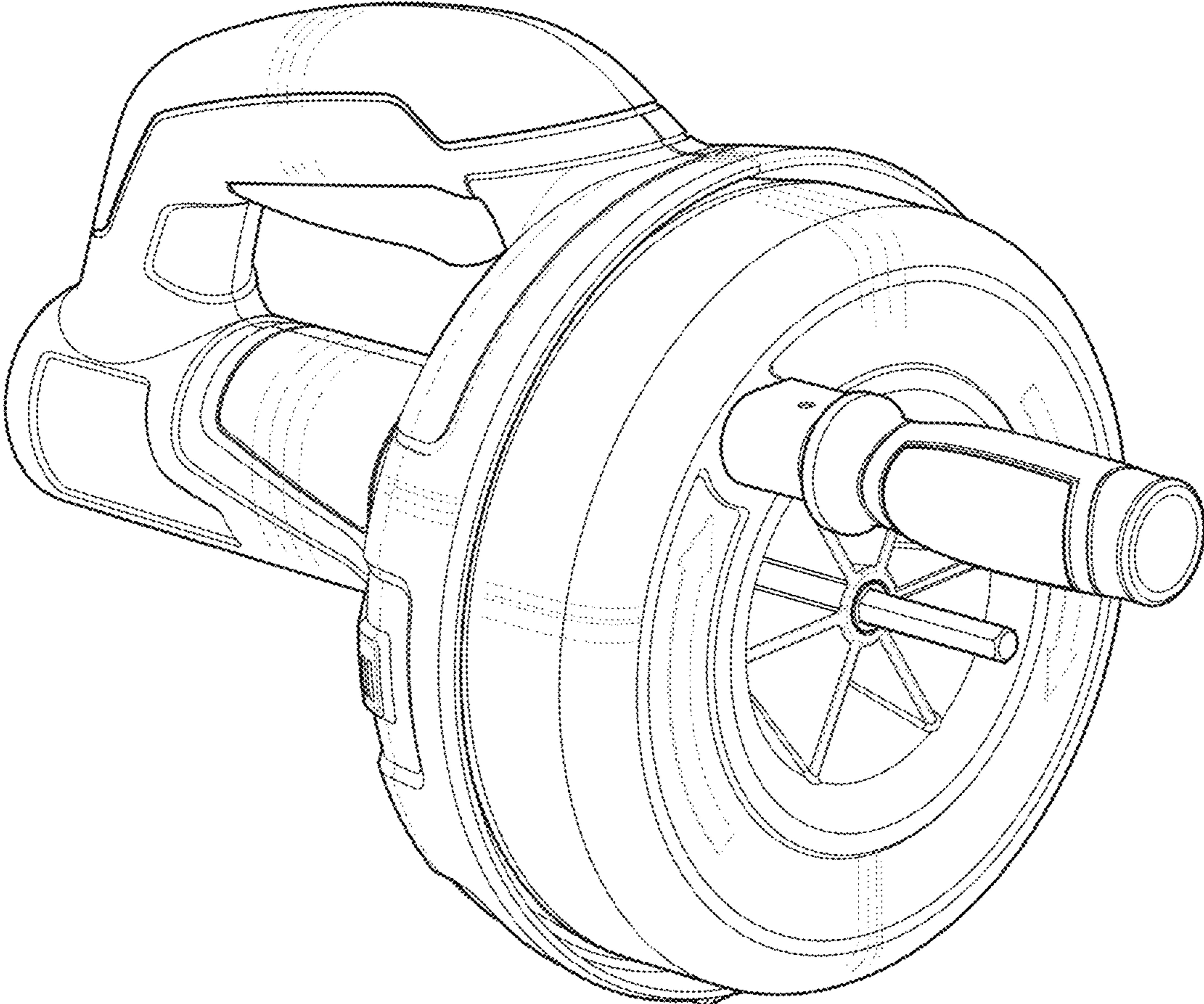


FIG. 8