



US00D910250S

(12) **United States Design Patent** (10) **Patent No.:** **US D910,250 S**  
**Fink** (45) **Date of Patent:** **\*\* Feb. 9, 2021**

(54) **SHORT LEGGED PET STEPS**

(71) Applicant: **Dennis Fink**, Jupiter, FL (US)

(72) Inventor: **Dennis Fink**, Jupiter, FL (US)

(\*\*) Term: **15 Years**

(21) Appl. No.: **29/689,329**

(22) Filed: **Apr. 29, 2019**

(51) **LOC (13) Cl.** ..... **30-03**

(52) **U.S. Cl.**  
USPC ..... **D30/199**; D25/63

(58) **Field of Classification Search**  
USPC ..... D30/199, 119, 160, 108, 118, 158, 161;  
119/843, 849, 847, 706-711, 28.5, 165,  
119/702, 485, 498; D25/63, 65, 62, 64,  
D25/66-69; 182/1, 20, 200, 33, 107,  
182/230, 129, 106, 93, 95, 115, 113, 151,  
182/35, 46, 222; 248/188.2; 52/182,  
52/184, 188, 190; 114/362; 14/71.1,  
14/69.5; 193/2 R, 33; D6/349-355, 335,  
D6/684, 406.6, 406.5, 535, 690, 691,  
D6/691.1-691.4, 691.8, 687, 686;  
D12/203; 280/166; 296/156; 105/443,  
105/447, 448; 297/118; 4/254, 483, 485,  
4/574.1, 578.1, 902, 572.1, 571.1;  
D23/296, 299, 309, 311; D21/686, 687,  
D21/690, 695, 671, 685, 521, 522;  
482/52, 142, 143; 473/476; D14/451,  
D14/447; D7/619.1, 698, 552.2, 554.3,  
D7/550.1  
CPC ..... A01K 1/035; E04F 11/066; E04F 11/062;  
E04F 11/06; E04F 11/04; E04F 11/022;  
E04F 11/0223; E04F 11/0226; E04F  
11/035; E04F 2011/0203-0209; E04F  
2011/0218; E06C 1/383; E06C 1/3835;  
E06C 1/387; E06C 1/00; E06C 1/005;  
E06C 1/04; E06C 1/12; E06C 1/14; E06C  
1/16; E06C 1/30; E06C 1/38; E06C  
1/381; B60R 3/007; B60R 3/02; A47K

11/06; A47K 11/08; A47K 11/12; A47K  
17/028; A61G 9/00; A63B 23/0458;  
A47C 12/00; A47C 12/02; A47C 13/00;  
A47C 13/005; A47C 16/02; A47C 16/04;  
A47C 11/00; A47C 9/00; A47C 9/002;  
A47C 9/02; A47C 9/025; A47C 9/027;  
A47C 9/04; A47C 9/08; A47C 9/10

See application file for complete search history.

(56) **References Cited**

U.S. PATENT DOCUMENTS

2,551,345 A \* 5/1951 Scott ..... B64C 1/24  
52/183  
D214,558 S \* 7/1969 Mulford ..... D25/63  
(Continued)

*Primary Examiner* — Susan Moon Lee  
(74) *Attorney, Agent, or Firm* — McHale & Slavin, P.A.

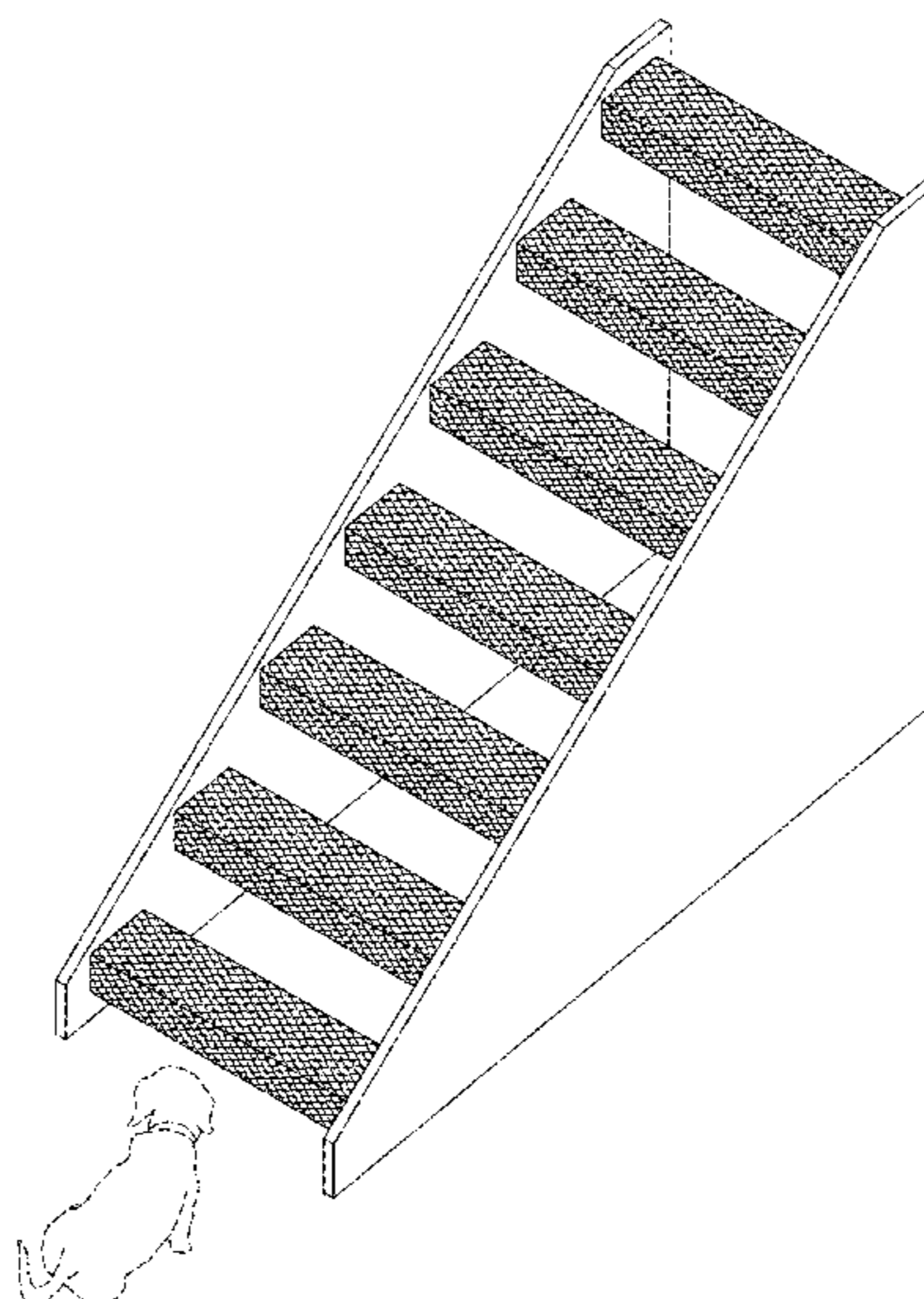
(57) **CLAIM**

The ornamental design for short legged pet steps, as shown and described.

**DESCRIPTION**

FIG. 1 is perspective view of the short legged pet steps of the instant invention;  
FIG. 2 is a right side view thereof;  
FIG. 3 is a left side view thereof;  
FIG. 4 is a top view thereof;  
FIG. 5 is a bottom view thereof;  
FIG. 6 is a front view thereof illustrating a 3 inch space between risers;  
FIG. 7 is a back view thereof illustrating the 3 inch space between risers; and,  
FIG. 8 is an environmental view illustrating the short legged pet steps in use condition.  
The portions of the figures illustrated in broken lines are for illustrative purposes only and form no part of the claimed subject matter.

**1 Claim, 8 Drawing Sheets**



(56)

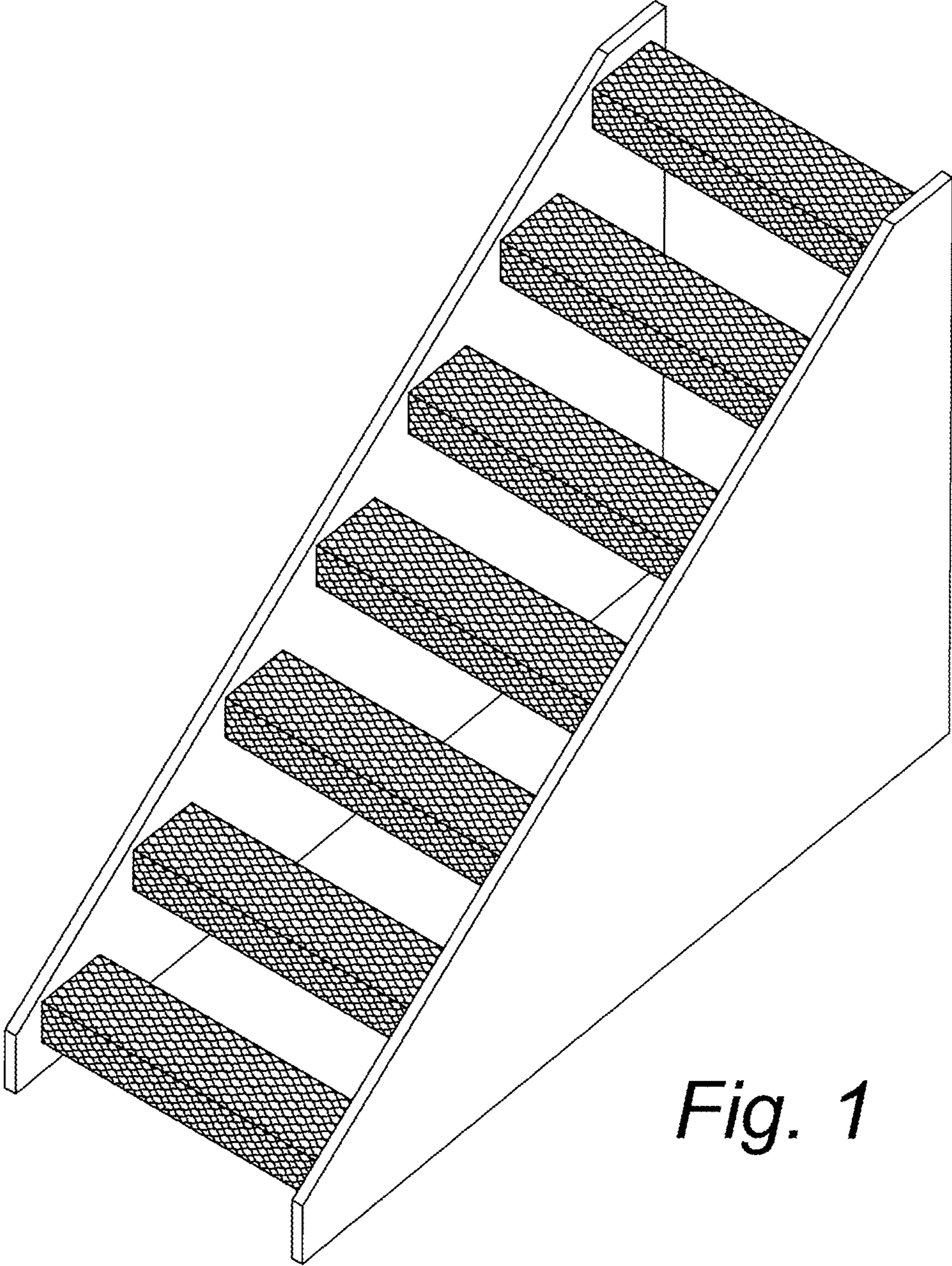
References Cited

U.S. PATENT DOCUMENTS

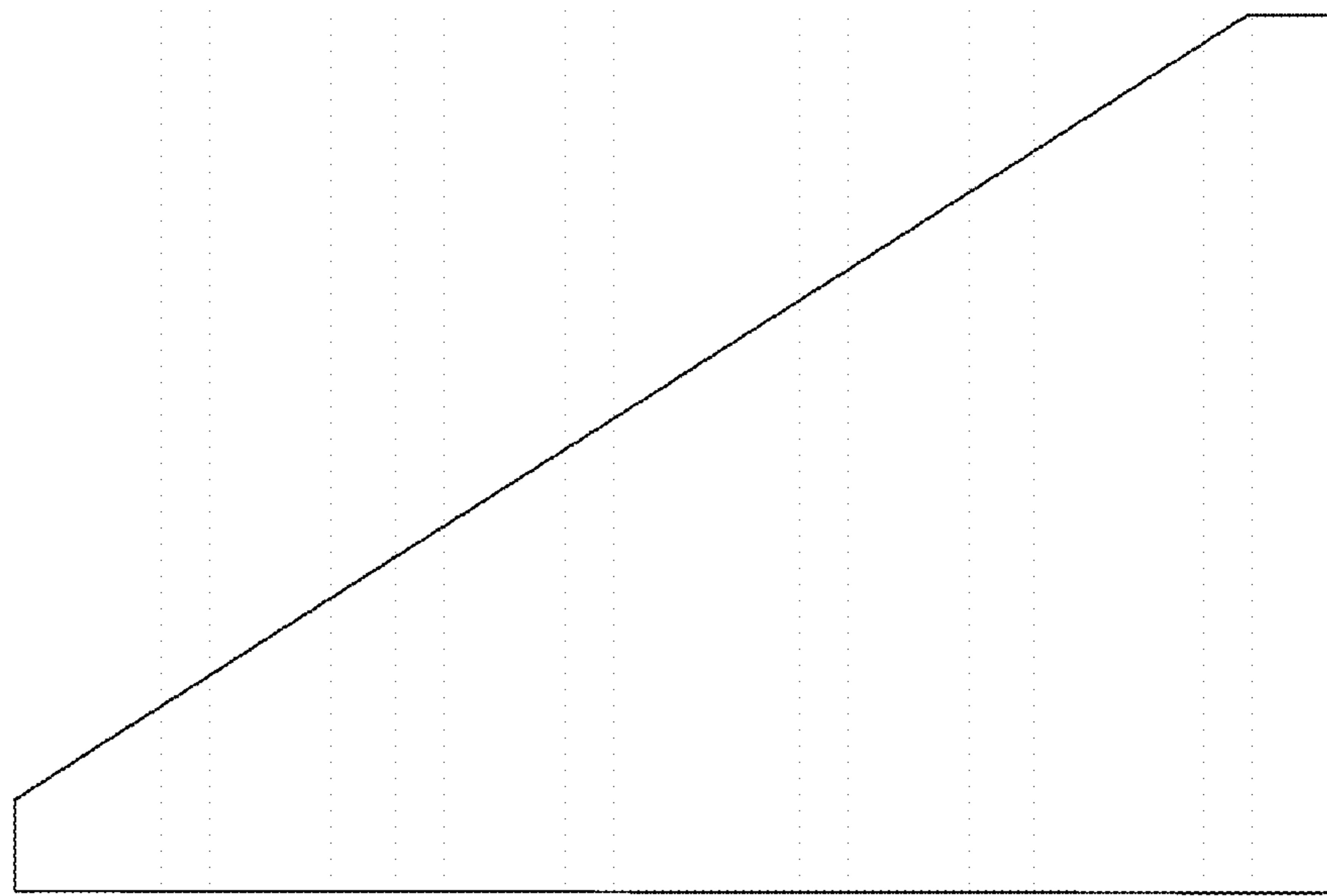
3,593,821 A \* 7/1971 Lister ..... E06C 7/081  
182/115  
3,706,170 A \* 12/1972 Argraves ..... E04F 11/022  
52/189  
3,709,323 A \* 1/1973 Tribble ..... E06C 1/14  
182/115  
4,367,613 A \* 1/1983 Strub ..... E04F 11/025  
52/188  
D375,290 S \* 11/1996 Hall ..... D12/318  
5,592,801 A \* 1/1997 Balzer ..... A01K 1/035  
182/116  
5,941,342 A \* 8/1999 Lee ..... B60R 3/02  
182/95  
6,205,722 B1 \* 3/2001 Bromley ..... E04F 11/025  
52/182  
D479,338 S \* 9/2003 Hennessy ..... D25/62  
D481,467 S \* 10/2003 Brice ..... D25/63

6,763,912 B2 \* 7/2004 Robinson ..... E04F 11/025  
182/113  
D507,662 S \* 7/2005 St-Hilaire ..... D25/63  
D555,845 S \* 11/2007 Khubani ..... D30/199  
D729,991 S \* 5/2015 Freiberg ..... D30/199  
D748,286 S \* 1/2016 Murray ..... D25/63  
D838,384 S \* 1/2019 Monnin ..... D25/63  
10,428,531 B2 \* 10/2019 Pindrik ..... E04B 1/3448  
D887,022 S \* 6/2020 Saccoccio ..... E04H 15/62  
D25/63  
2002/0153201 A1 \* 10/2002 Warford ..... E06C 7/081  
182/115  
2004/0244724 A1 \* 12/2004 Runge ..... A01K 1/035  
119/847  
2005/0252720 A1 \* 11/2005 Chant ..... E06C 5/02  
182/127  
2006/0230693 A1 \* 10/2006 Giordano ..... E04G 21/30  
52/182  
2019/0093368 A1 \* 3/2019 Pindrik ..... E04B 1/34336  
2019/0387706 A1 \* 12/2019 Bachman ..... E04F 11/06

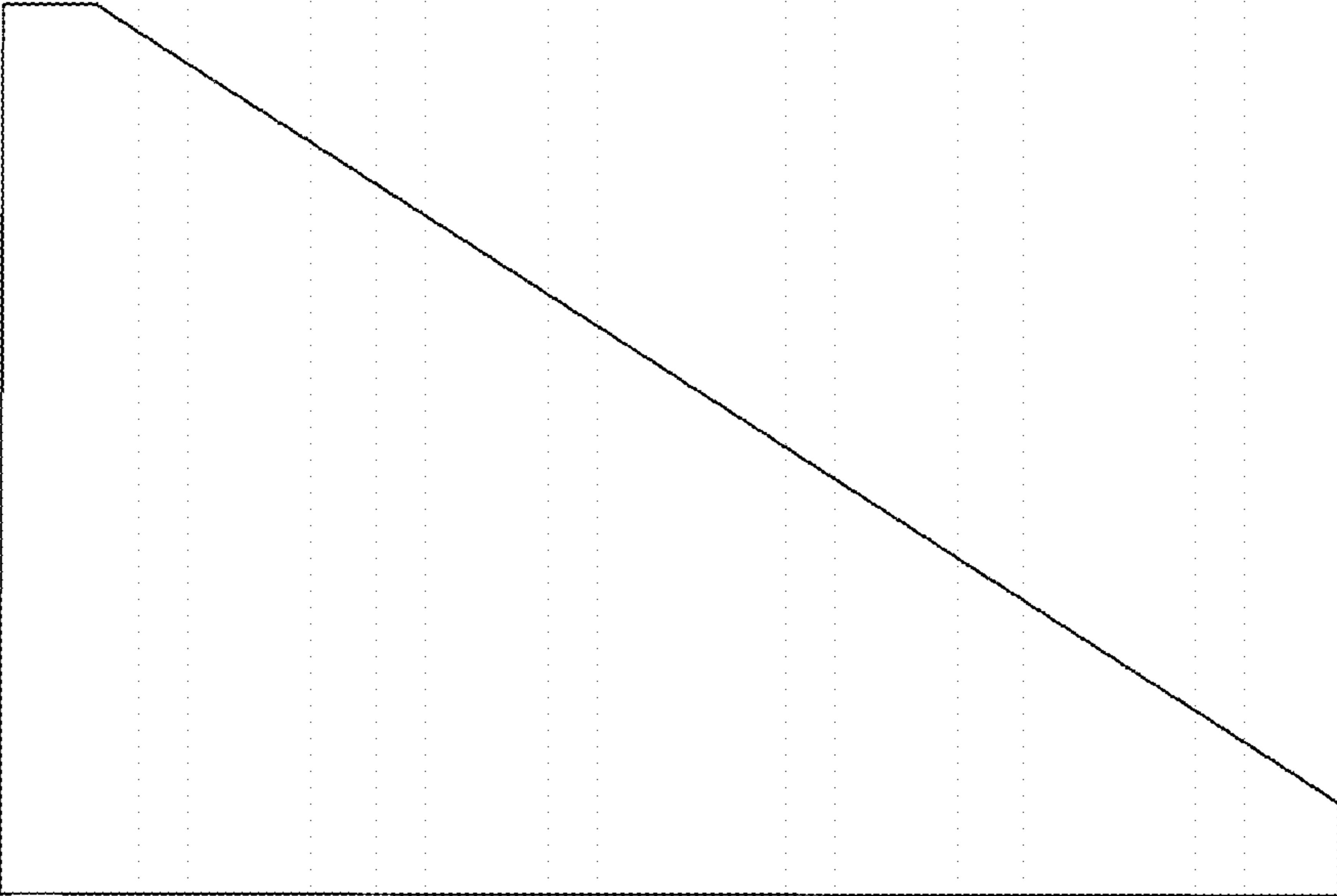
\* cited by examiner



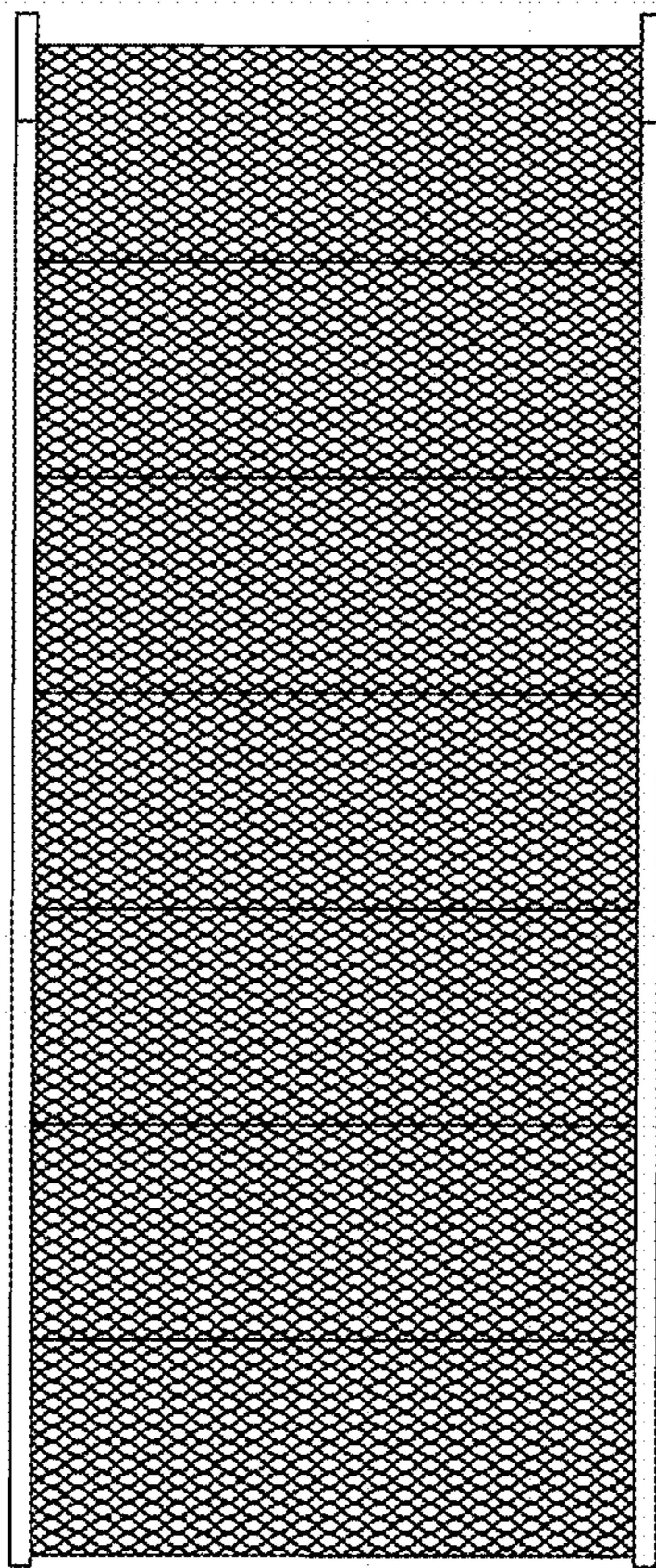
*Fig. 1*



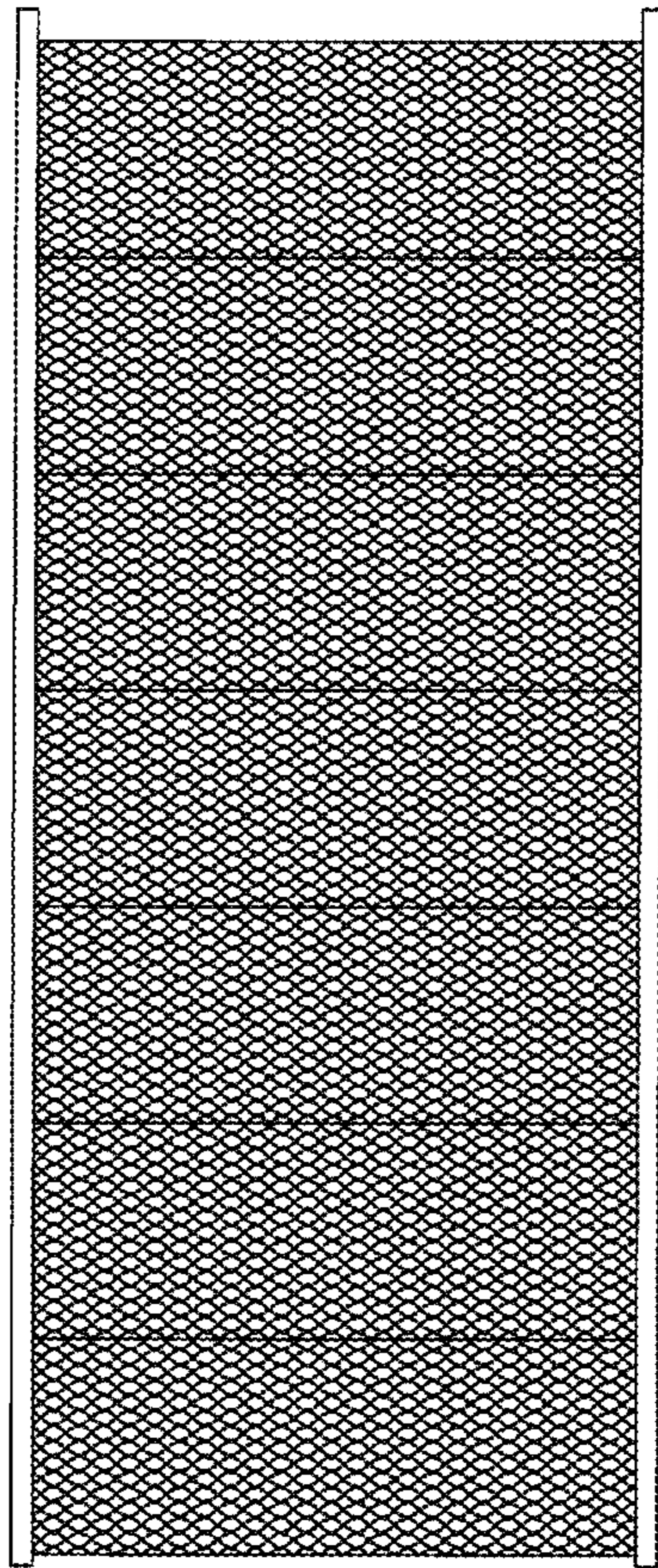
*Fig. 2*



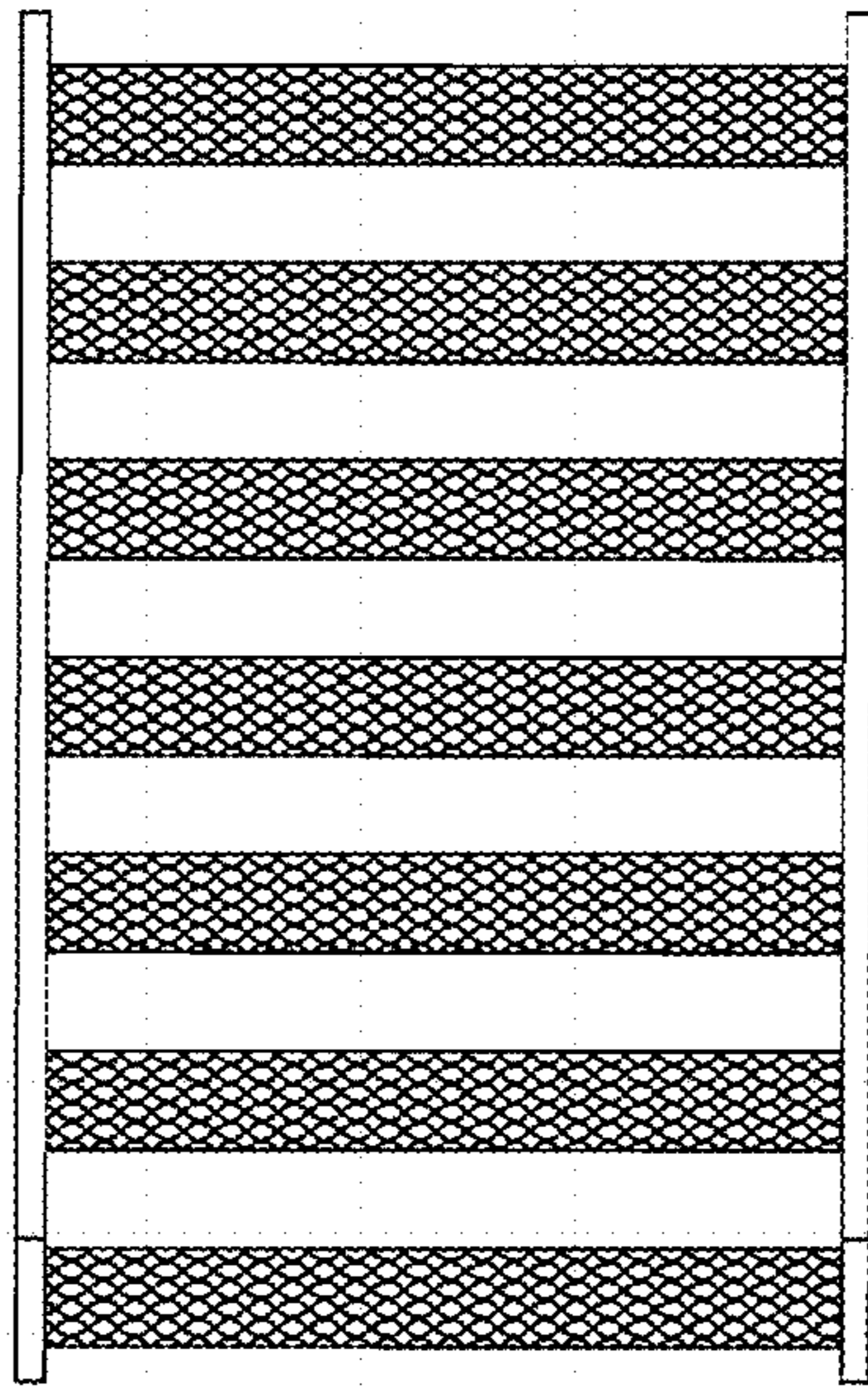
*Fig. 3*



*Fig. 4*

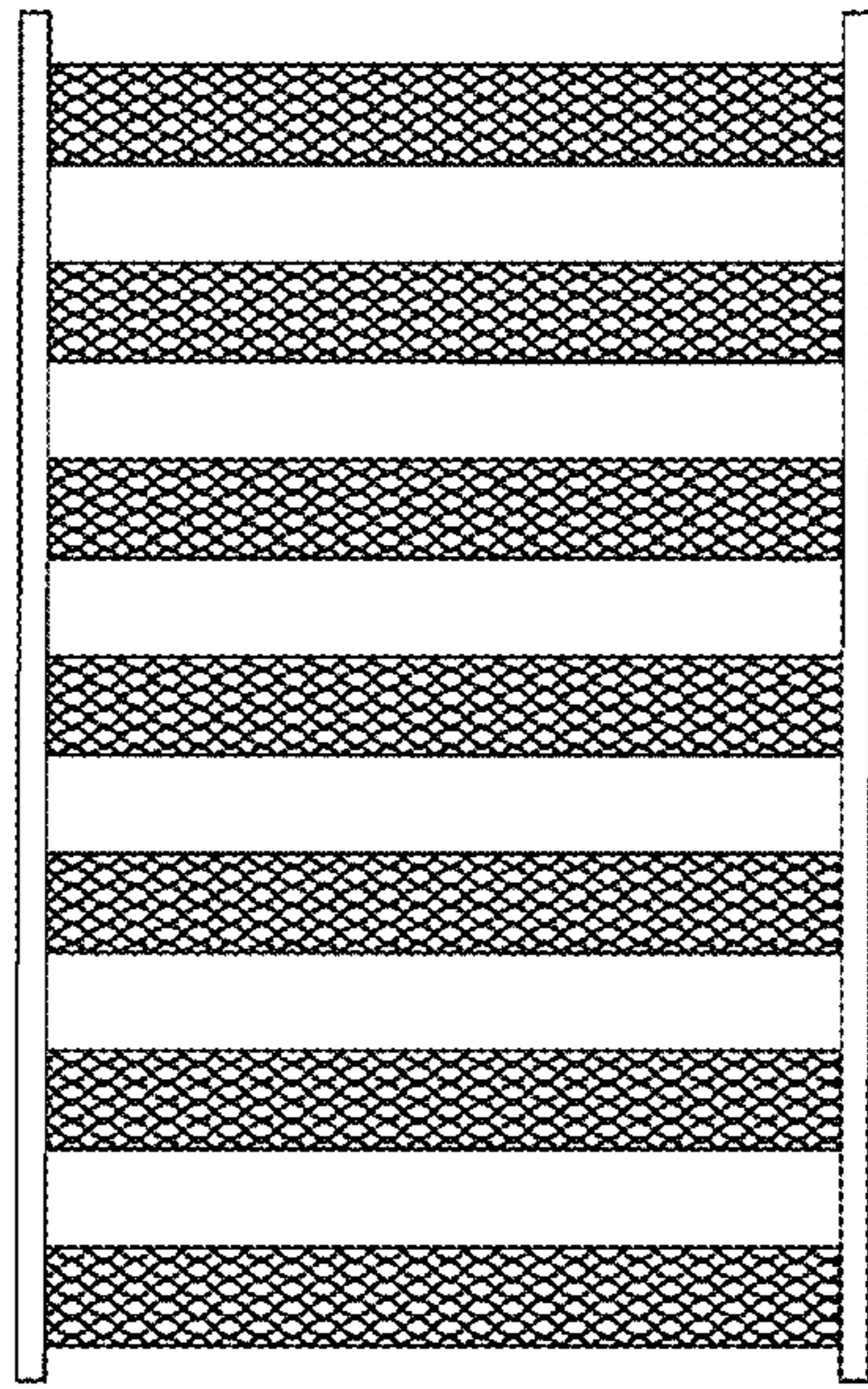


*Fig. 5*

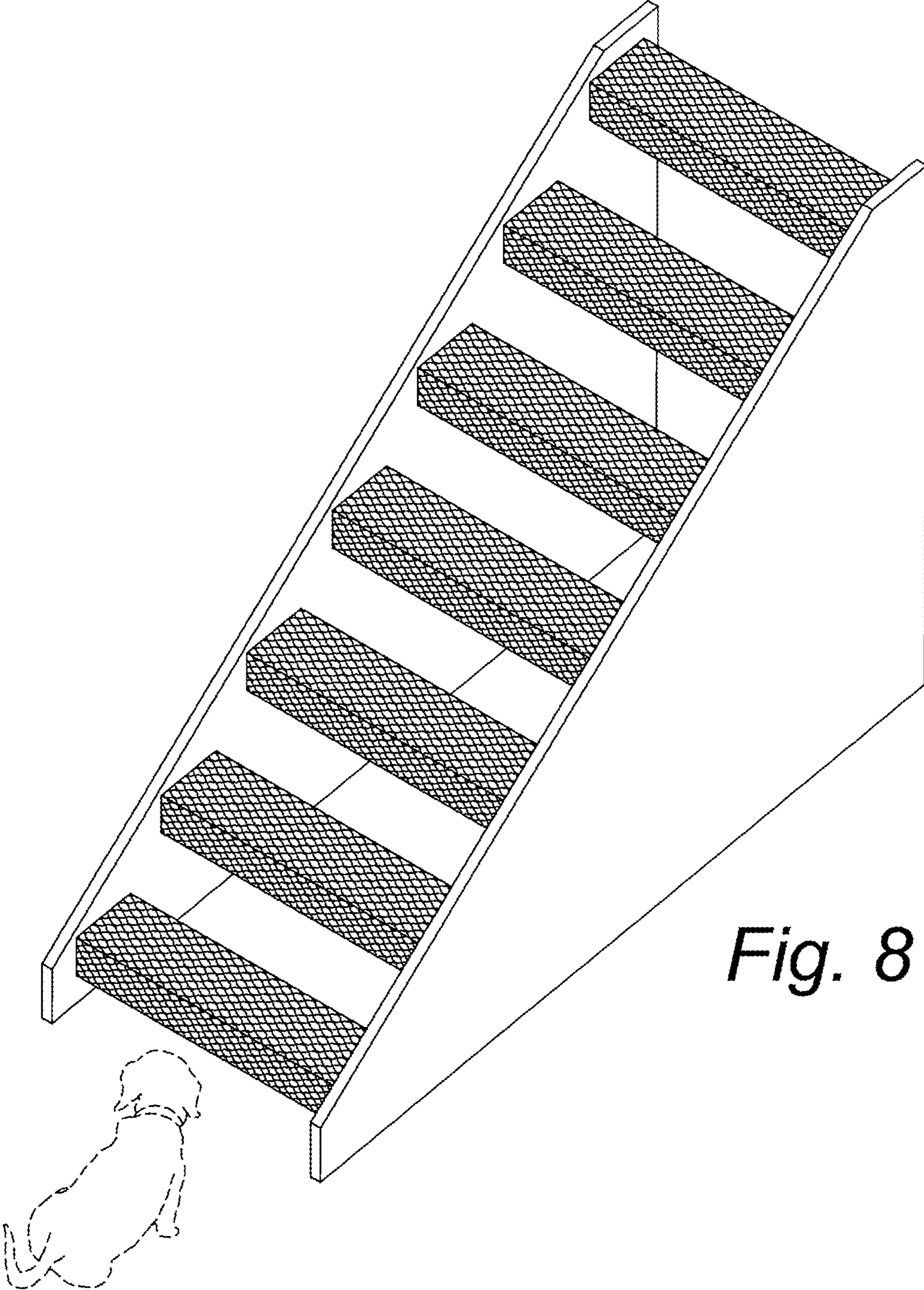


*Fig. 6*





*Fig. 7*



*Fig. 8*