



US00D910249S

(12) **United States Design Patent**  
**Hedlund**

(10) **Patent No.:** **US D910,249 S**

(45) **Date of Patent:** **\*\* Feb. 9, 2021**

(54) **MILKER UNIT SHORT MILK TUBE MILK CLAW END CONNECTOR**

5,482,004 A \* 1/1996 Chowdhury ..... A01J 5/08  
119/14.52

5,493,995 A \* 2/1996 Chowdhury ..... A01J 5/044  
119/14.47

(71) Applicant: **GEA Farm Technologies, Inc.**,  
Naperville, IL (US)

5,572,947 A \* 11/1996 Larson ..... A01J 5/044  
119/14.51

(72) Inventor: **Nathan Hedlund**, Galesville, WI (US)

6,164,243 A \* 12/2000 Larson ..... A01J 5/08  
119/14.49

(73) Assignee: **GEA Farm Technologies, Inc.**,  
Naperville, IL (US)

6,427,624 B1 \* 8/2002 Briggs ..... A01J 5/08  
119/14.01

(Continued)

(\*\*) Term: **15 Years**

*Primary Examiner* — Susan Moon Lee

(21) Appl. No.: **29/652,259**

(74) *Attorney, Agent, or Firm* — Smith Law Office; Jeffrey W. Smith

(22) Filed: **Jun. 30, 2020**

(57) **CLAIM**

The ornamental design for a milker unit short milk tube milk claw end connector, as shown and described.

**Related U.S. Application Data**

**DESCRIPTION**

(63) Continuation-in-part of application No. 16/544,458, filed on Aug. 19, 2019.

(51) **LOC (13) Cl.** ..... **30-99**

(52) **U.S. Cl.**  
USPC ..... **D30/199**

(58) **Field of Classification Search**  
USPC ..... D30/199, 121; 119/14.54, 14.55, 14.36,  
119/14.39, 14.37

CPC .... A01J 5/041; A01J 5/00; A01J 5/003; A01J  
5/0075; A01J 5/01; A01J 5/017-044;  
A01J 5/06-16; A01J 3/00; A01J 7/00;  
A01J 7/005; A01K 1/12; A01K 1/123;  
A01K 1/126

See application file for complete search history.

FIG. 1 is a perspective view of a milker unit short milk tube milk claw end connector showing the design;  
FIG. 2 is an isolated perspective view thereof;  
FIG. 3 is a front elevational view thereof and is a mirror image of the rear elevational view thereof;  
FIG. 4 is a right side elevational view thereof, and is a mirror image of the left side elevational view thereof;  
FIG. 5 is a bottom end view thereof;  
FIG. 6 is a perspective view of a milker unit short milk tube milk claw end connector showing an alternate design;  
FIG. 7 is an isolated perspective view thereof;  
FIG. 8 is a front elevational view thereof and is a mirror image of the rear elevational view thereof;  
FIG. 9 is a right side elevational view thereof, and is a mirror image of the left side elevational view thereof; and,  
FIG. 10 is a bottom end view thereof.

A teat cup liner and the short milk tube are shown in broken lines for illustrative purposes only, and form no part of the claimed design.

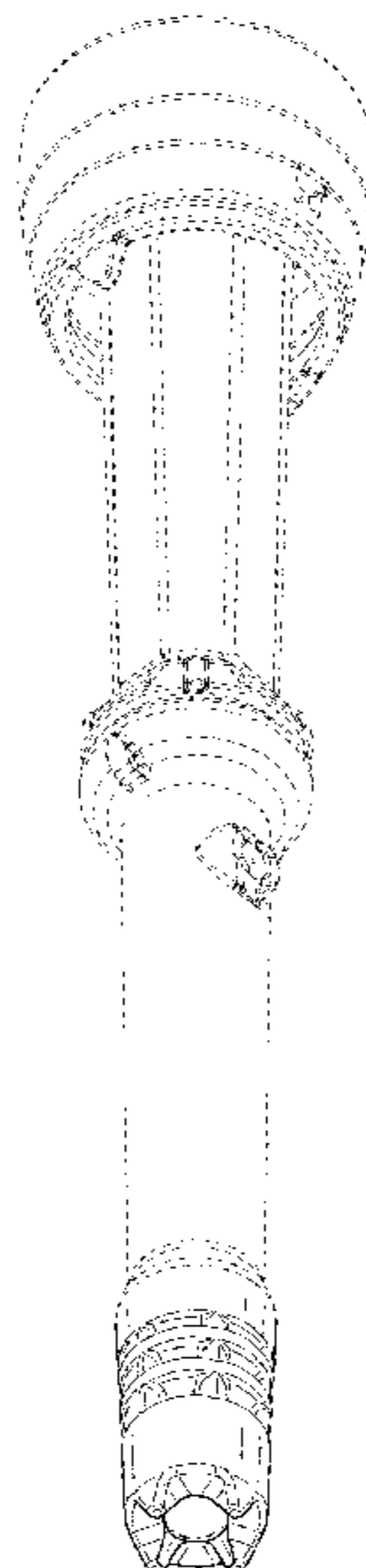
(56) **References Cited**

**U.S. PATENT DOCUMENTS**

4,324,201 A \* 4/1982 Larson ..... A01J 5/041  
119/14.51

4,530,307 A \* 7/1985 Thompson ..... A01J 5/08  
119/14.49

**1 Claim, 10 Drawing Sheets**



(56)

References Cited

U.S. PATENT DOCUMENTS

6,742,475	B1 *	6/2004	McLeod	.....	A01J 5/044	9,801,351	B2 *	10/2017	Auburger	.....	A01J 5/06
					119/14.47	9,883,652	B2 *	2/2018	Torgerson	.....	A01J 7/025
6,895,892	B2 *	5/2005	Sellner	.....	A01J 5/04	9,930,863	B2 *	4/2018	Torgerson	.....	A01J 7/022
					119/14.54	10,499,610	B2 *	12/2019	Torgerson	.....	A01J 5/06
7,578,260	B2 *	8/2009	Shin	.....	A01J 5/08	10,785,952	B2 *	9/2020	Hedlund	.....	A01J 5/08
					119/14.01	2004/0060520	A1 *	4/2004	Sellner	.....	A01J 5/04
D624,715	S *	9/2010	Auburger	.....	D30/199						119/14.54
8,113,145	B2 *	2/2012	Sellner	.....	A01J 5/08	2006/0005772	A1 *	1/2006	Shin	.....	A01J 5/08
					119/14.47						119/14.52
8,567,346	B1 *	10/2013	Alveby	.....	A01J 5/08	2008/0072825	A1 *	3/2008	Petersson	.....	A01J 5/08
					119/14.49						119/14.47
8,813,681	B2 *	8/2014	Chowdhury	.....	A01J 5/08	2008/0276871	A1 *	11/2008	Auburger	.....	A01J 5/08
					119/14.47						119/14.49
9,288,962	B2 *	3/2016	Priest	.....	A01J 5/08	2014/0123903	A1 *	5/2014	Priest	.....	A01J 5/08
9,408,367	B2 *	8/2016	Alveby	.....	A01J 5/08						119/14.47
9,439,391	B2 *	9/2016	Kochman	.....	A01J 5/08	2014/0190416	A1 *	7/2014	Kochman	.....	A01J 5/08
9,504,226	B2 *	11/2016	Buck	.....	A01J 5/007						119/14.47
9,510,555	B2 *	12/2016	Chowdhury	.....	A01J 5/08	2015/0114298	A1 *	4/2015	Alveby	.....	A01J 5/16
9,545,079	B2 *	1/2017	Torgerson	.....	A01J 7/04						119/14.02
9,770,006	B2 *	9/2017	Torgerson	.....	A01J 7/04	2016/0007559	A1 *	1/2016	Andersson	.....	A01J 5/044
											119/14.46
						2018/0228117	A1 *	8/2018	Gruter	.....	A01J 5/06

\* cited by examiner

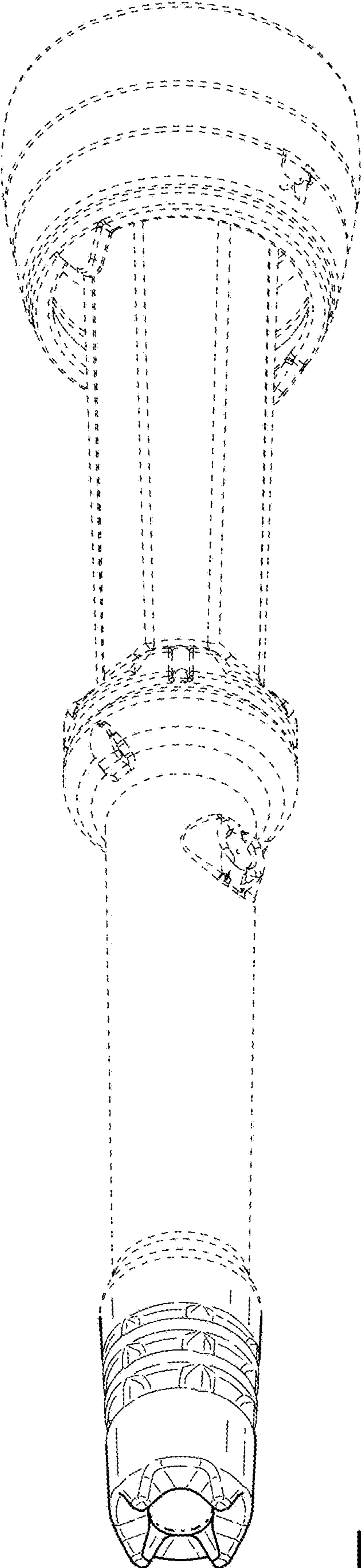


FIG. 1

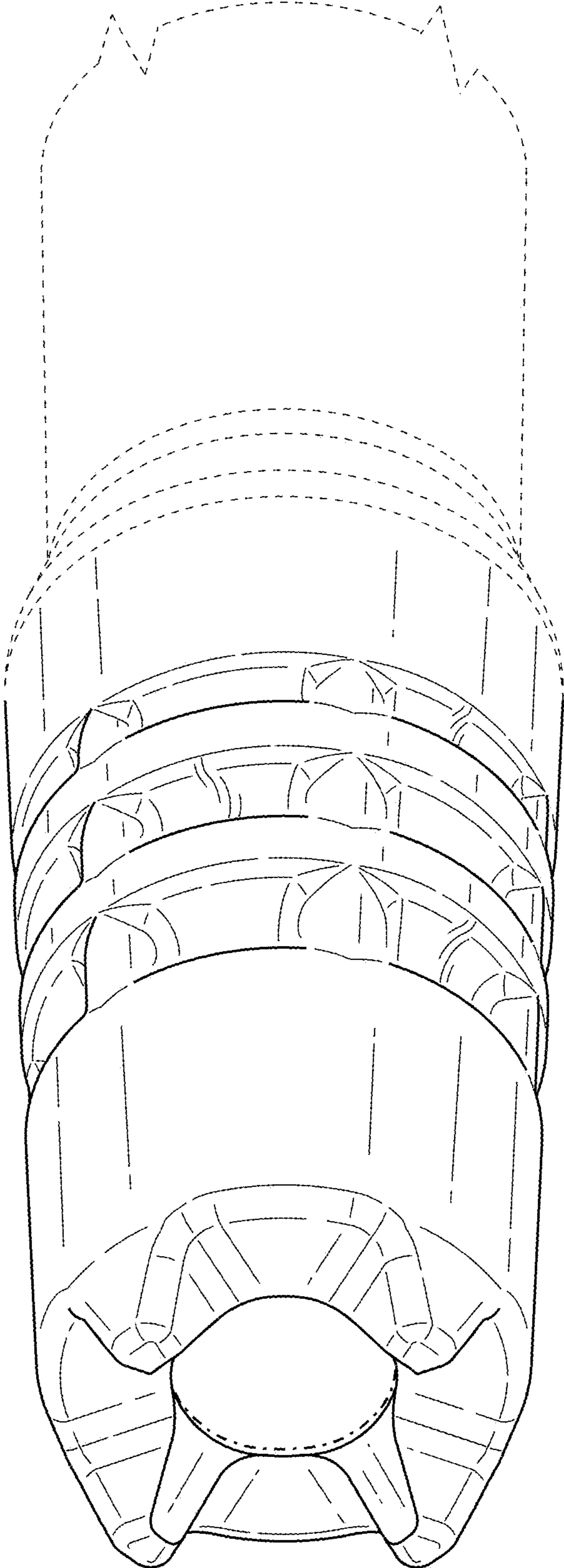


FIG. 2

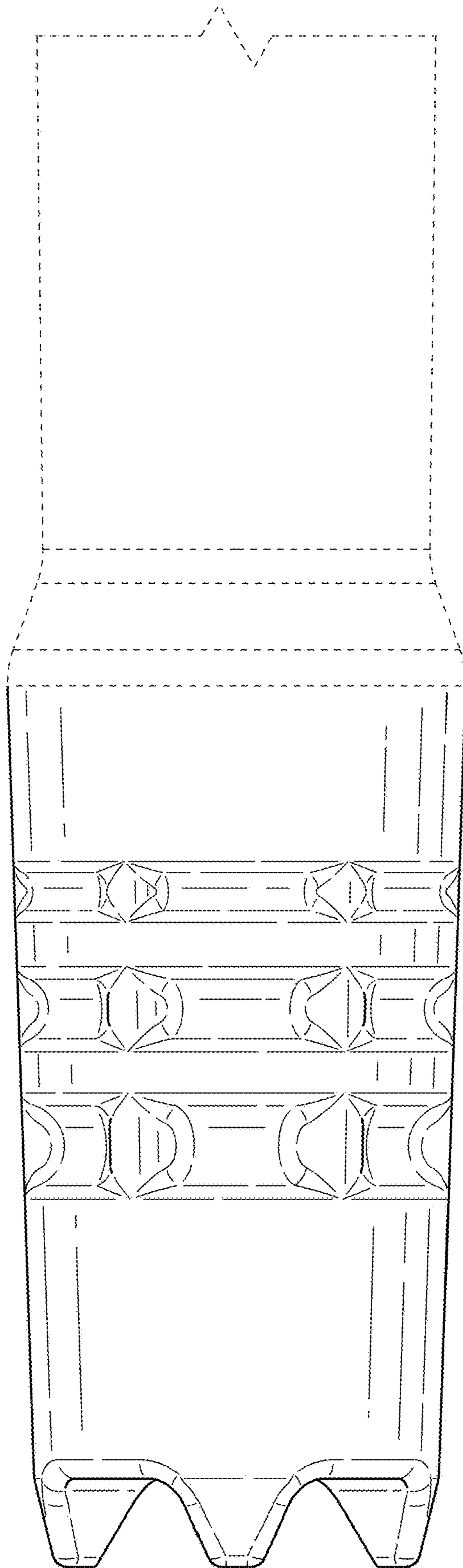


FIG. 3

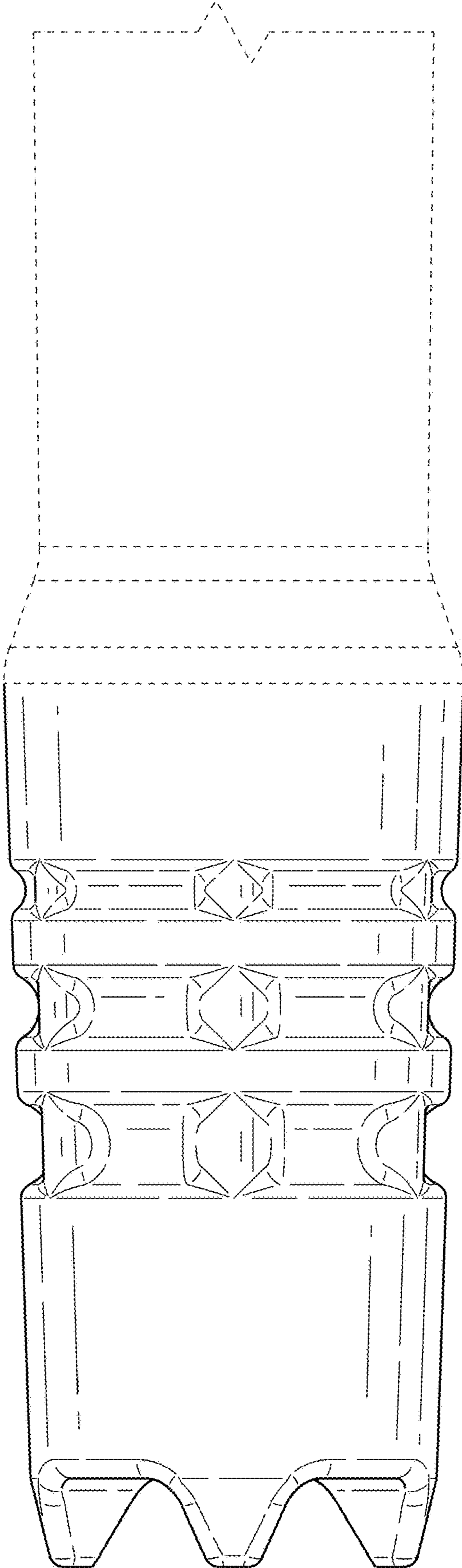


FIG. 4

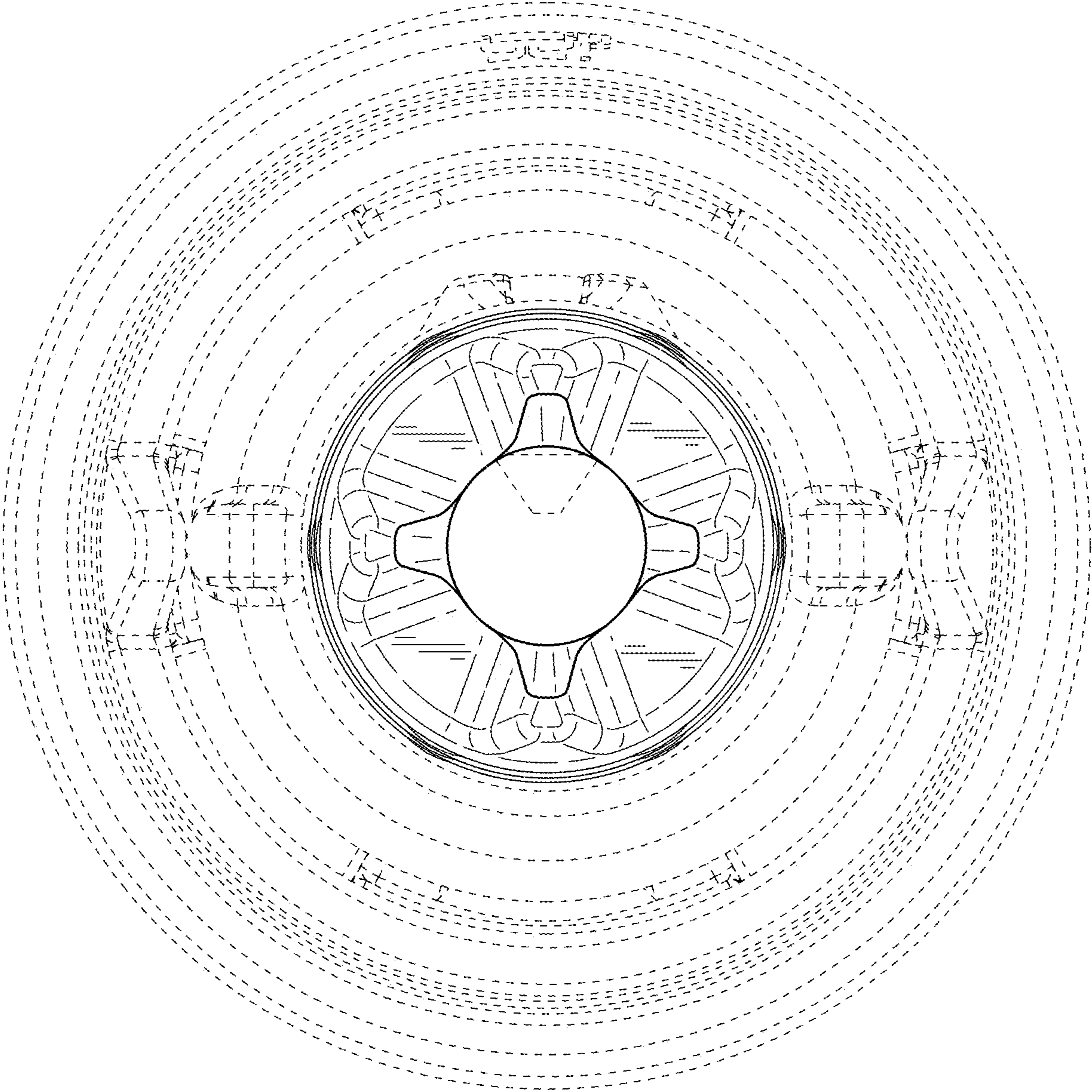


FIG. 5

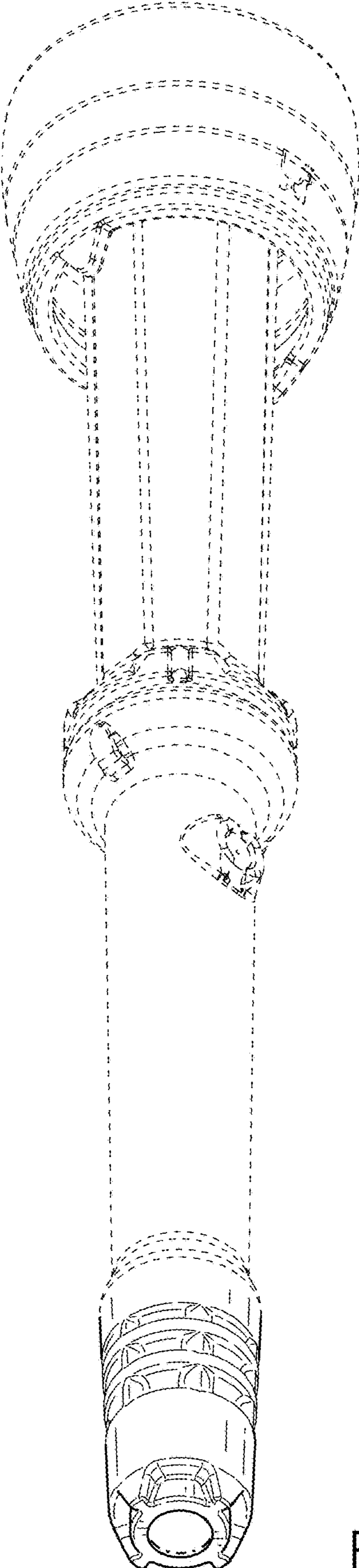


FIG. 6



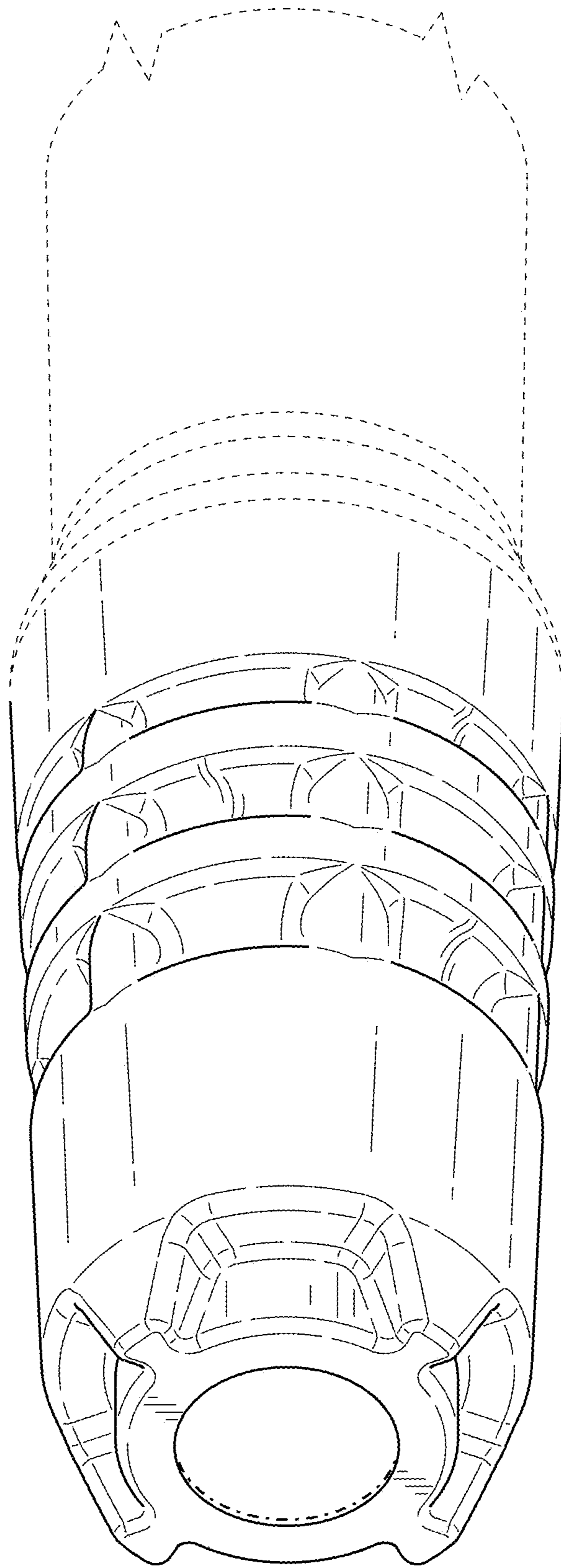


FIG. 7

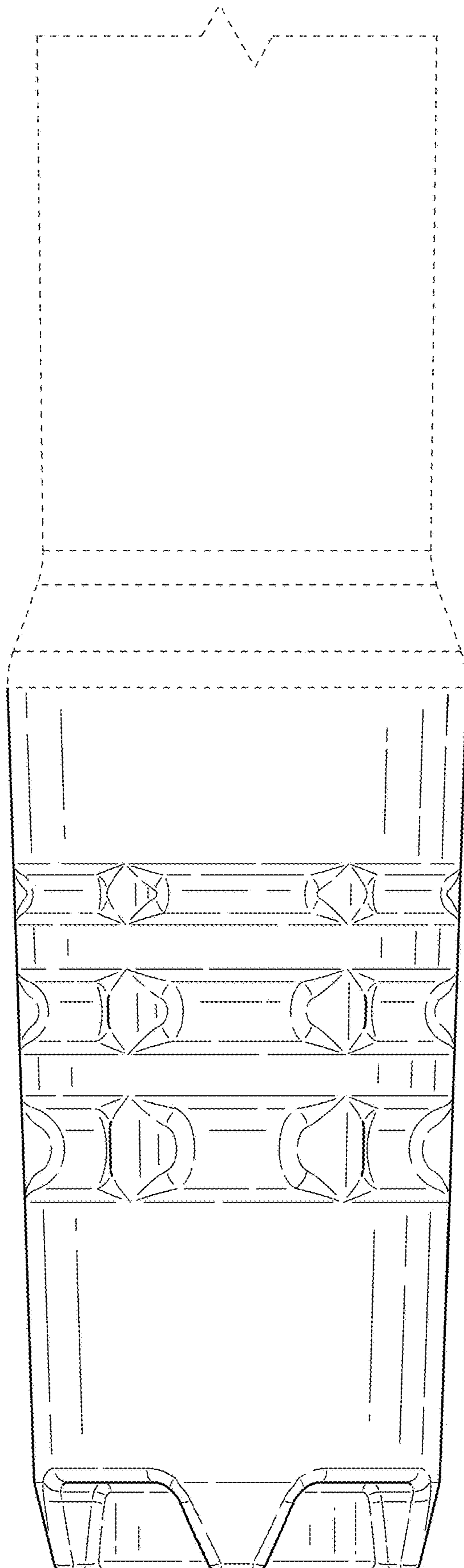


FIG. 8

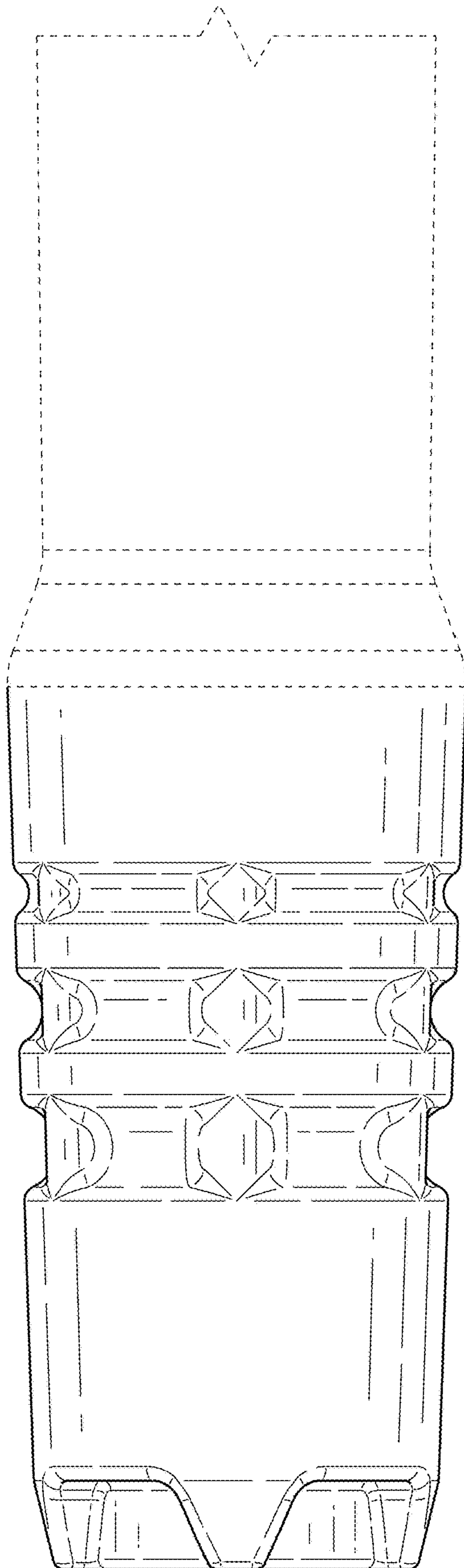


FIG. 9

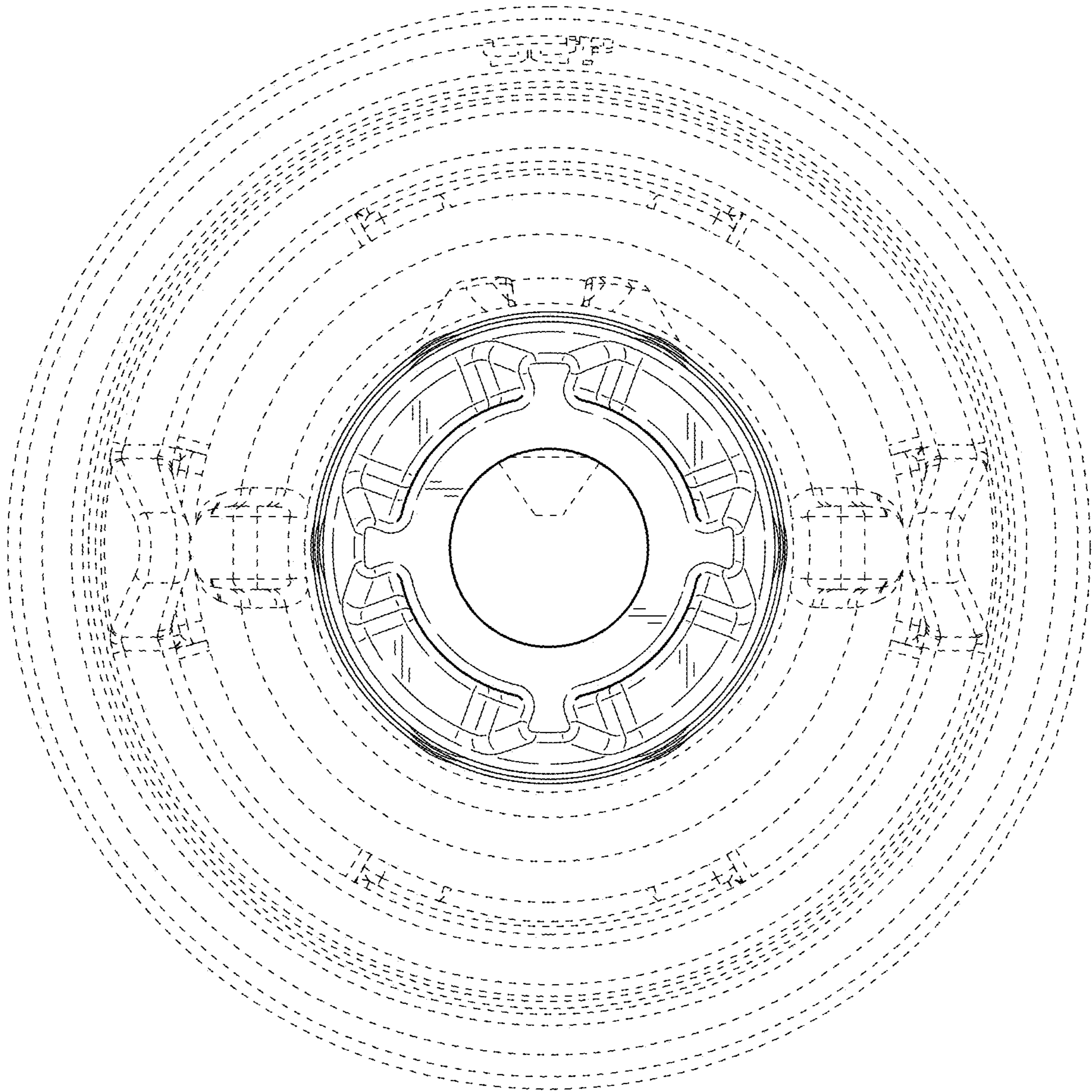


FIG. 10