



US00D910248S

(12) **United States Design Patent** (10) **Patent No.:** **US D910,248 S**
Luk (45) **Date of Patent:** **** Feb. 9, 2021**

(54) **PET TOY**
(71) Applicant: **Gramercy Products, Inc.**, Secaucus, NJ (US)
(72) Inventor: **Michael Luk**, Jersey City, NJ (US)
(73) Assignee: **Gramercy Products, LLC**, Secaucus, NJ (US)
(**) Term: **15 Years**
(21) Appl. No.: **29/686,907**
(22) Filed: **Apr. 9, 2019**

3,215,071 A 11/1965 Richard
D219,284 S 11/1970 Hunt
3,747,263 A 7/1973 Grossberg
D241,869 S * 10/1976 Hilprecht D21/713
D277,727 S 2/1985 Klaric
D287,988 S 1/1987 Billinghamurst
4,974,844 A 12/1990 Richards
D318,506 S 7/1991 Caranica
D340,489 S 10/1993 Evangelista
D348,915 S * 7/1994 Fraser D21/707
D363,752 S * 10/1995 Shumber D21/678
D385,002 S 10/1997 Schloss
D408,482 S 4/1999 Morrison
6,003,470 A 12/1999 Budman
6,012,992 A 1/2000 Yavitz
6,098,571 A 8/2000 Axelrod
6,200,239 B1 3/2001 Kennedy
6,398,615 B1 6/2002 Wu
D467,287 S 12/2002 Manville
D468,378 S 1/2003 Routzong
D469,484 S 1/2003 Dawson
6,578,527 B1 6/2003 Mathers
D478,641 S 8/2003 Kuehne

Related U.S. Application Data

(63) Continuation-in-part of application No. 29/585,930, filed on Nov. 30, 2016, now abandoned.

(51) **LOC (13) Cl.** **30-99**

(52) **U.S. Cl.**
USPC **D30/160**

(58) **Field of Classification Search**
USPC D30/160; D21/355-356, 366, 398, 662, D21/680-682, 701, 707-708, 712-713; D11/7, 14, 42, 49; 482/93; 119/707-711, 801
CPC A63B 43/00; A01K 15/02; A01K 29/00; A63F 7/00; A63F 7/0608
See application file for complete search history.

(56) **References Cited**

U.S. PATENT DOCUMENTS

115,252 A 5/1871 Spencer
513,560 A 1/1894 Dickey
2,078,382 A 4/1937 Hanshaw
2,791,868 A 5/1957 Viken
2,985,976 A 5/1961 Parker

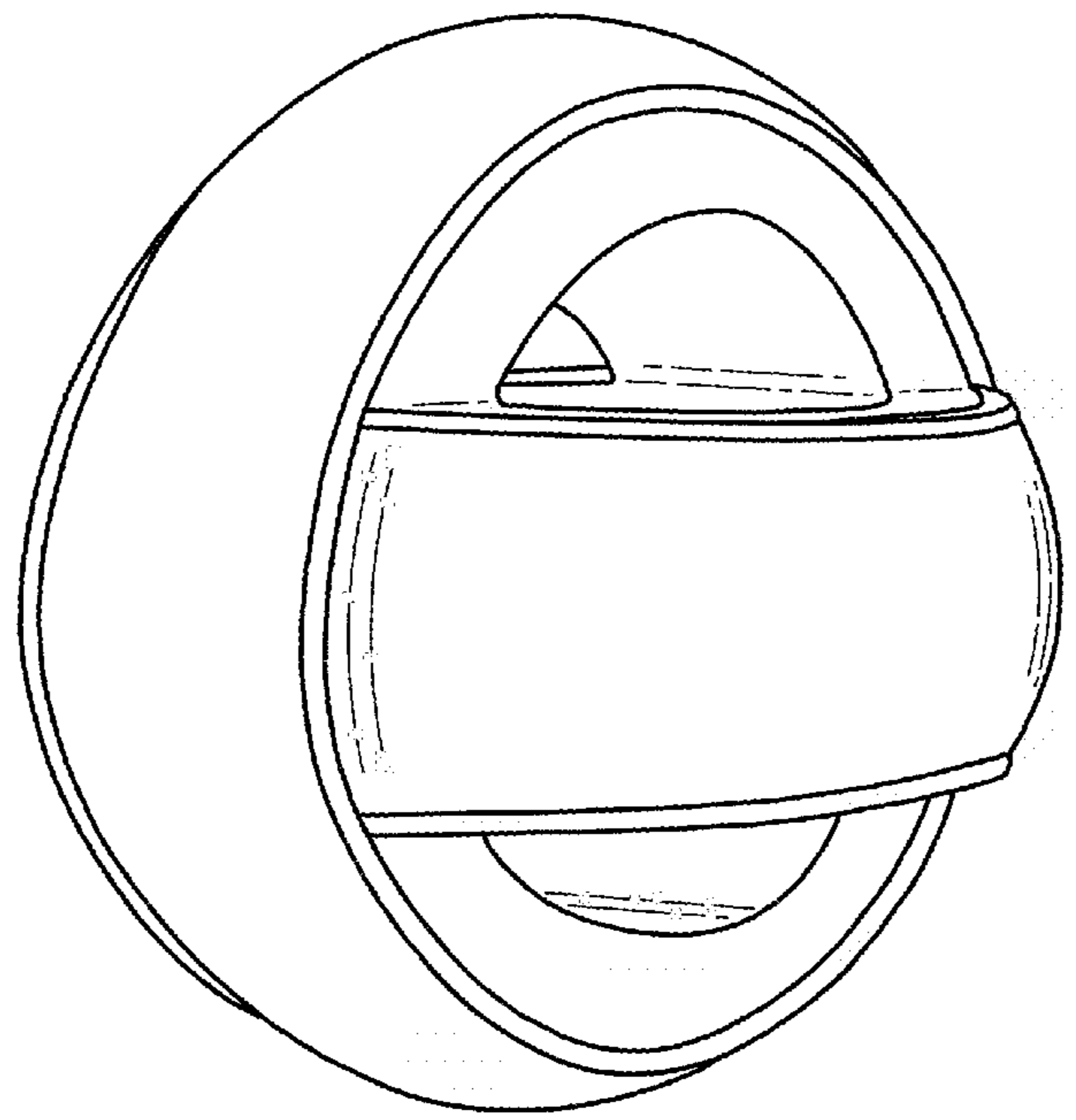
(Continued)
Primary Examiner — Sandra Snapp
Assistant Examiner — Mehri Bajoul
(74) *Attorney, Agent, or Firm* — Thomas A. O'Rourke; Bodner & O'Rourke, LLP

(57) **CLAIM**
The ornamental design for a pet toy, as shown and described.

DESCRIPTION

FIG. 1 is a front perspective view of a pet toy showing the new design; the rear perspective view being identical.
FIG. 2 is a front view thereof; the rear view being identical.
FIG. 3 is a left side view thereof the right side view being identical; and,
FIG. 4 is a bottom view thereof; the top view being identical.

1 Claim, 2 Drawing Sheets



(56)

References Cited

U.S. PATENT DOCUMENTS

6,622,659 B2	9/2003	Willinger		8,683,958 B2	4/2014	Oblack	
6,651,590 B2	11/2003	Willinger		D706,875 S	6/2014	Saber	
D493,856 S	8/2004	Nishihara		D707,303 S *	6/2014	Saber	D21/398
6,805,077 B2	10/2004	Goldman		D707,776 S	6/2014	Rubey	
D498,274 S	11/2004	Wechsler		D717,017 S	11/2014	McGrath	
6,863,588 B1	3/2005	Chu		D718,397 S *	11/2014	Nagi	D21/708
D503,758 S *	4/2005	Crane	D21/707	D731,011 S *	6/2015	Buchanan	D21/682
D511,029 S	10/2005	Willinger		D733,814 S *	7/2015	Gustafson	D21/662
D511,191 S	11/2005	Fryer		D736,483 S	8/2015	Crane	
D515,155 S	2/2006	Nishihara		D738,715 S	9/2015	Weinmann	
D516,640 S *	3/2006	Shore	D21/707	D746,002 S *	12/2015	Crane	D30/160
D517,137 S	3/2006	Kuehne		D747,423 S	1/2016	Gustafson	
7,044,820 B2	5/2006	Ladisa		D752,164 S	3/2016	Rio	
D522,596 S	6/2006	Laliberty		D783,743 S	4/2017	Wills	
D537,491 S	2/2007	Pierce		D798,969 S *	10/2017	Lozito	D21/682
D540,408 S	4/2007	Laliberty		D812,824 S *	3/2018	Alton	D30/160
D543,250 S	5/2007	Laliberty		D842,399 S *	3/2019	Arceta	D21/680
D545,509 S	6/2007	Wang		D843,510 S *	3/2019	Ross	D21/682
D553,809 S *	10/2007	Gick	D12/565	D884,099 S *	5/2020	Wang	D21/713
D556,275 S *	11/2007	Crane	D21/707	2002/0124811 A1 *	9/2002	Willinger	B29C 33/44 119/707
7,326,122 B2	2/2008	Park		2003/0131803 A1 *	7/2003	Willinger	A01K 15/026 119/707
D568,950 S *	5/2008	Yewer, Jr.	D21/662	2003/0181266 A1 *	9/2003	Sowers	A63B 43/008 473/447
7,367,283 B2	5/2008	Aboujaoude		2007/0277747 A1	12/2007	Gick	
D599,505 S	9/2009	Crane		2008/0090486 A1	4/2008	Zawitz	
D599,963 S	9/2009	Crane		2011/0256967 A1 *	10/2011	Shore	A63B 43/00 473/595
D623,247 S	9/2010	Zawitz		2012/0149536 A1	6/2012	Trimble	
D644,702 S	9/2011	Krysiak		2013/0074780 A1 *	3/2013	Wechsler	A01K 15/025 119/710
D651,671 S *	1/2012	Ross	D21/662	2015/0020748 A1 *	1/2015	Wechsler	A01K 15/025 119/711
D663,368 S	7/2012	Denner					
D680,698 S	4/2013	McWilliams					
D688,893 S *	9/2013	Cornacchia	D6/665				
8,608,627 B2	12/2013	Ross					

* cited by examiner

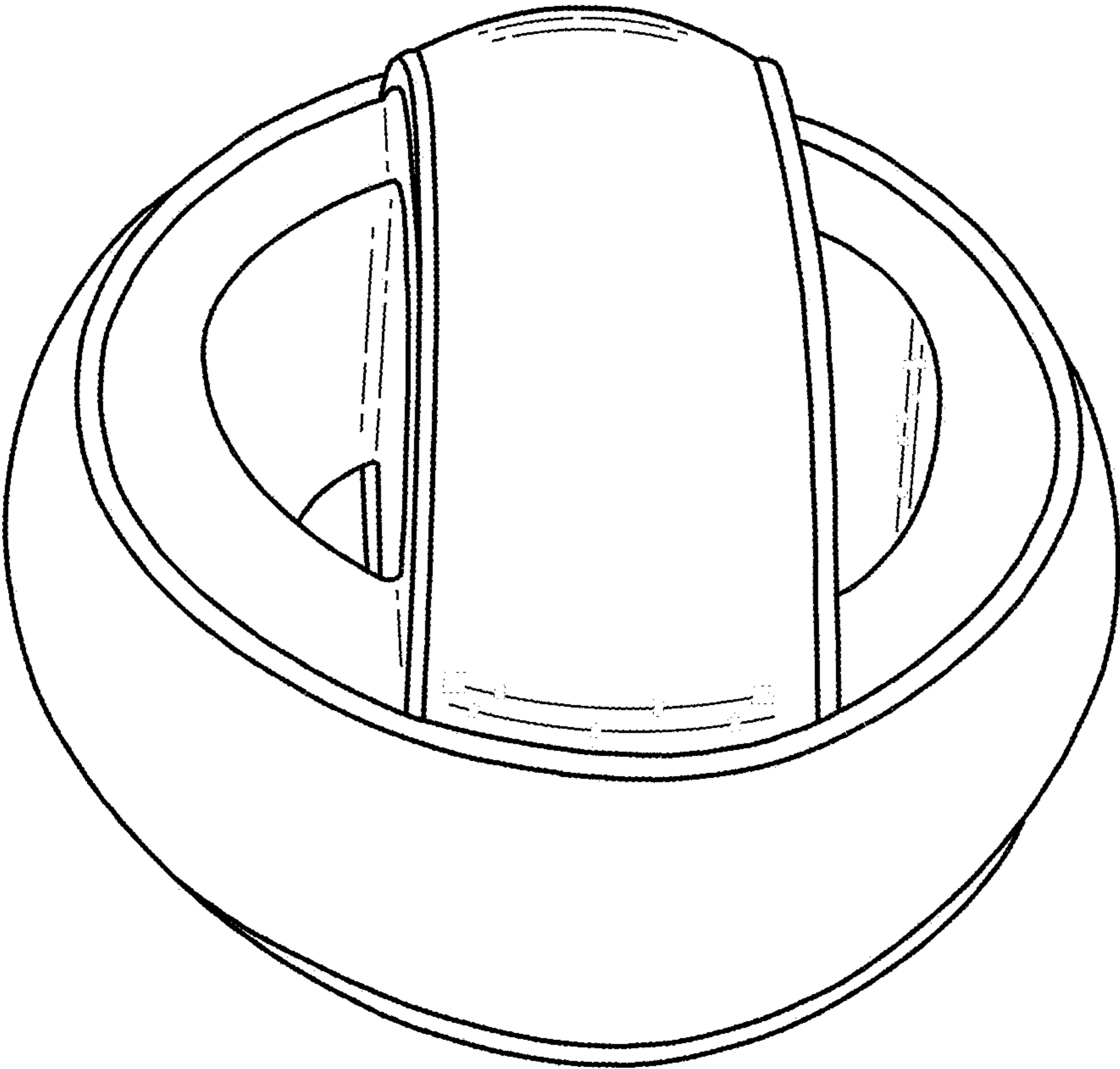


FIG. 1

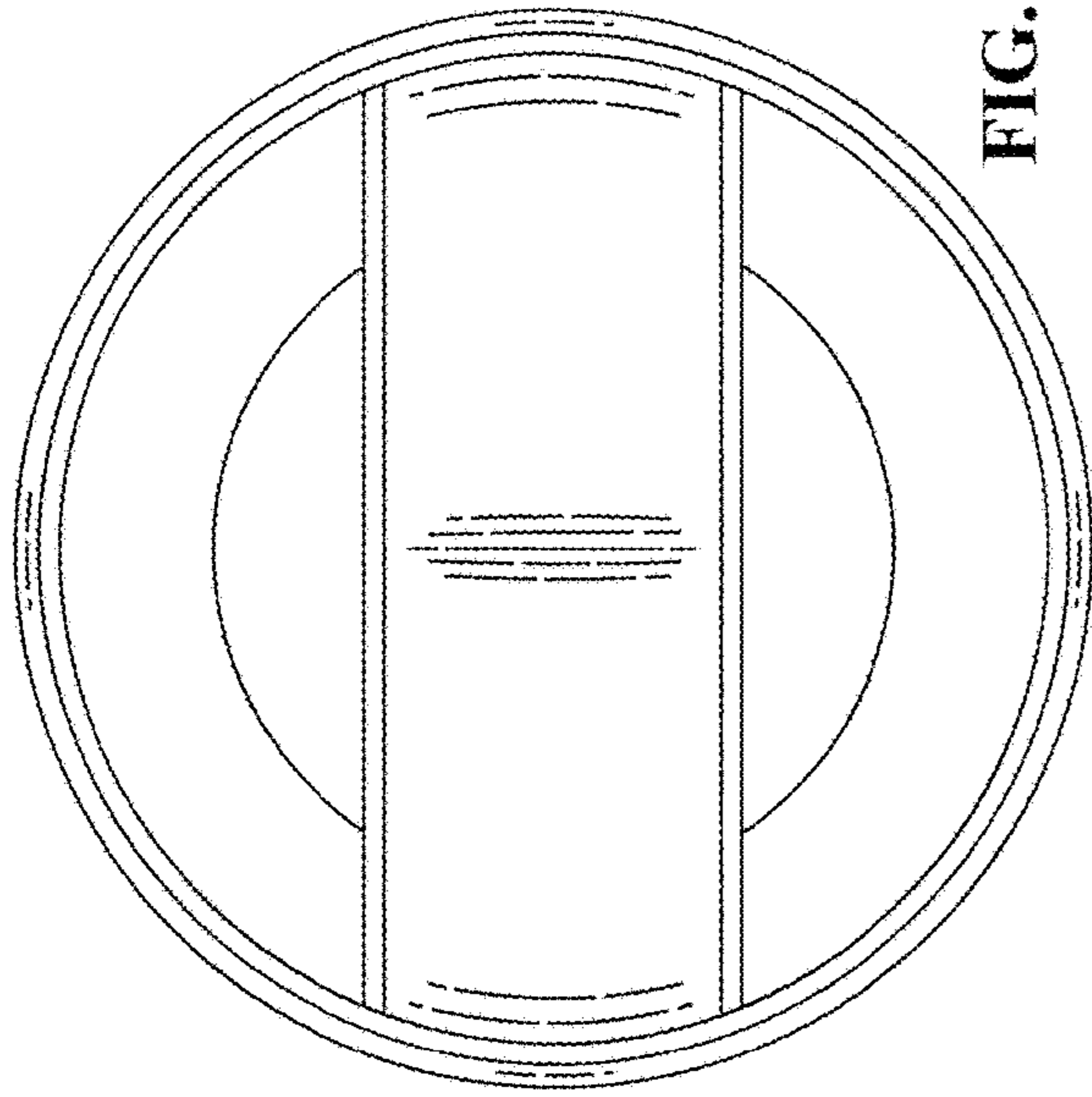


FIG. 2

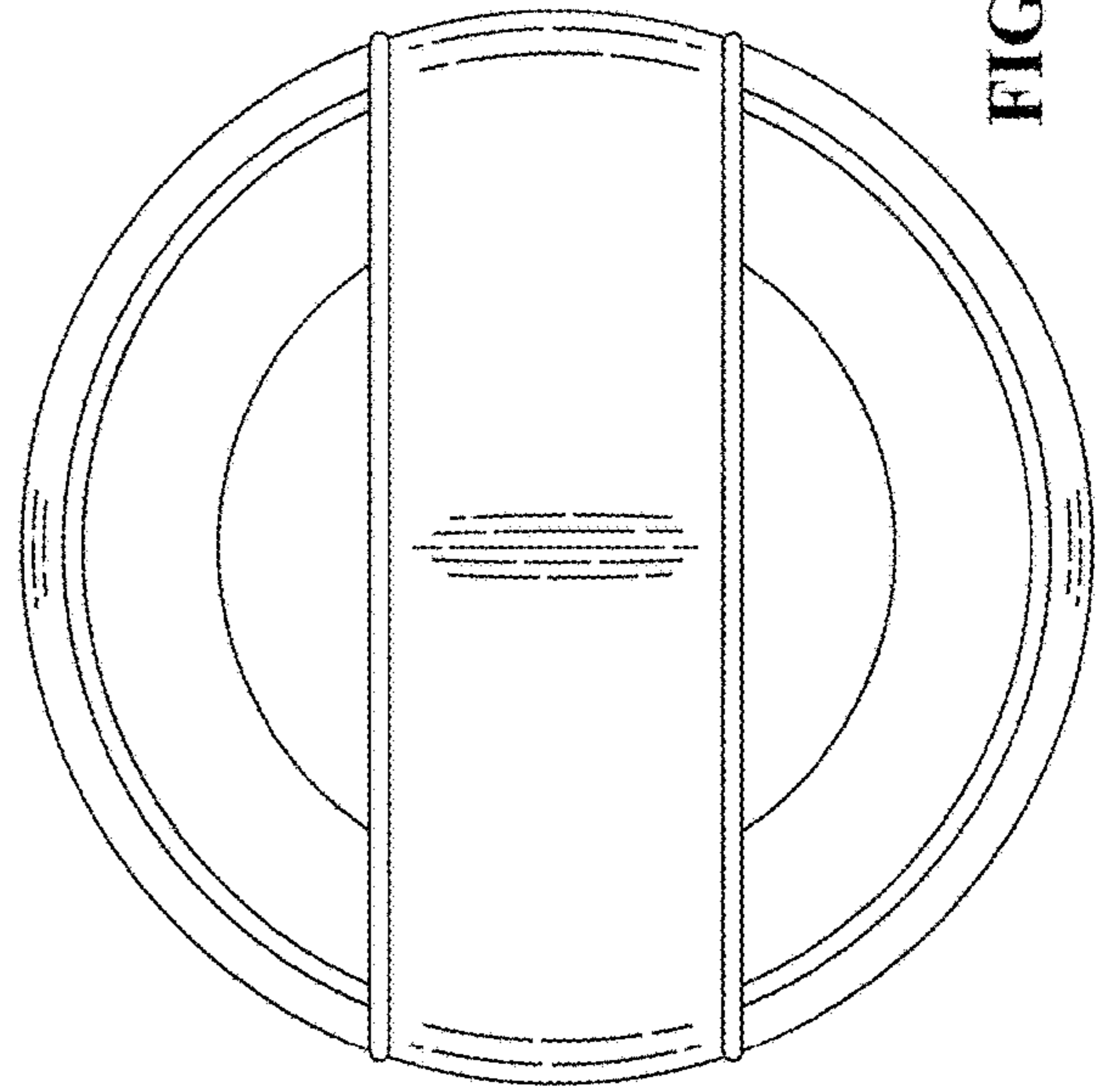


FIG. 4

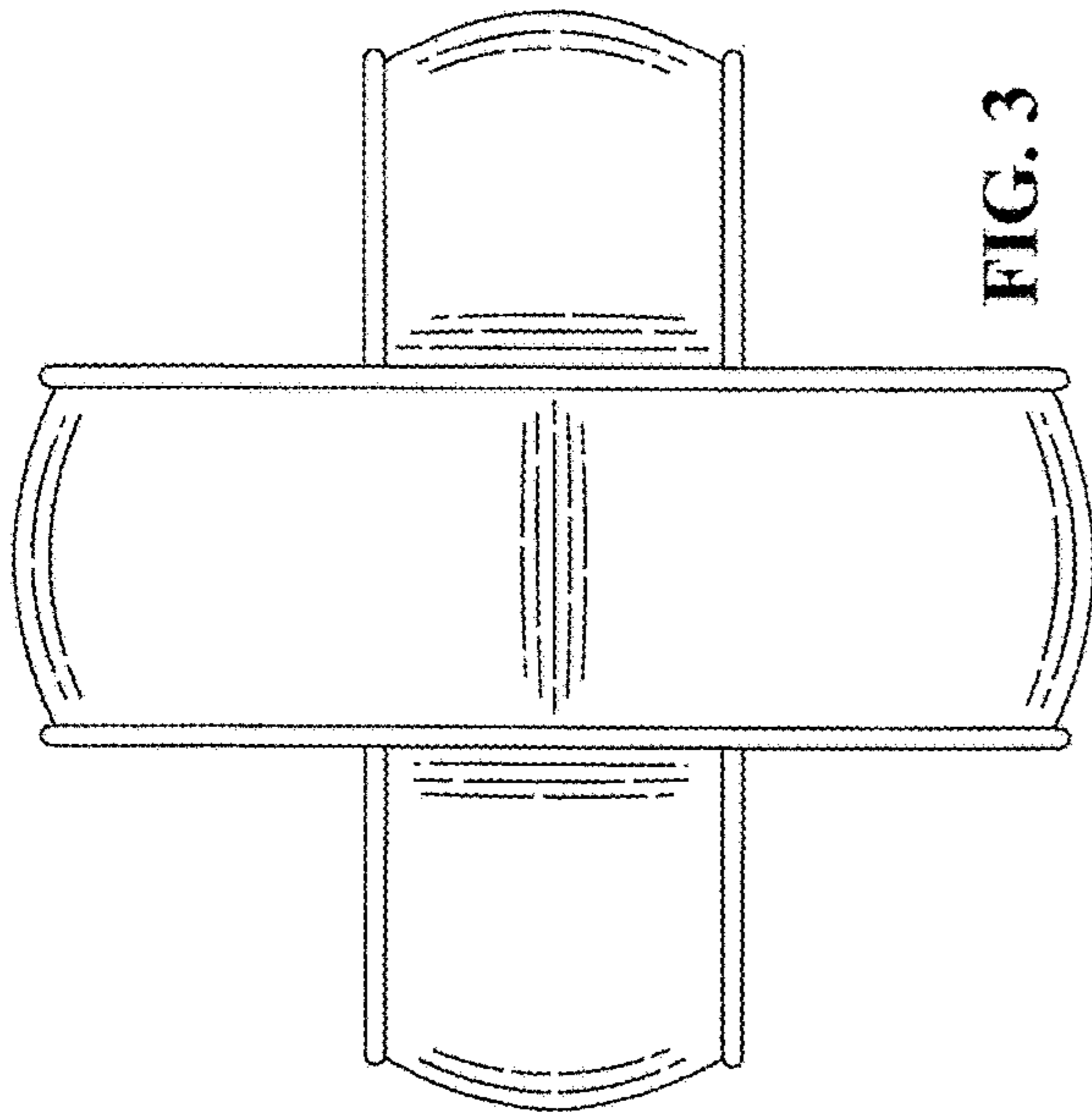


FIG. 3