



US00D910246S

(12) **United States Design Patent** (10) **Patent No.:** **US D910,246 S**  
**Zhang** (45) **Date of Patent:** **\*\* Feb. 9, 2021**

(54) **PET HAIR REMOVER APPARATUS**

(71) Applicant: **Weinan Zhang**, Yixing (CN)

(72) Inventor: **Weinan Zhang**, Yixing (CN)

(\*\*) Term: **15 Years**

(21) Appl. No.: **29/751,377**

(22) Filed: **Sep. 21, 2020**

(30) **Foreign Application Priority Data**

Sep. 1, 2020 (CN) ..... 2020 3 0510252

(51) **LOC (13) Cl.** ..... **30-99**

(52) **U.S. Cl.**

USPC ..... **D30/159**; D30/158

(58) **Field of Classification Search**

USPC ..... D30/158, 159, 199, 162, 106; 119/625, 119/633, 600, 617, 628, 632, 631, 613, 119/618, 619, 620, 611, 609; 132/126, 132/142, 219, 212, 149, 150, 159-161, 132/163; 30/114, 130, 301, 305, 315, 30/316, 299, 303, 306, 169, 322, 31, 30, 30/279.2, 280, 287, 294, 199, 329-344, 30/346.56, 346.61, 355, 357, 526-528; D7/672-676, 687, 686, 634, 619, 688, D7/653, 395; 425/298; 426/503; D4/136, 127, 124-126, 116-118, 199, D4/194; D32/42, 25, 46; 172/379, 380; D21/532, 398; 56/400.01, 400.1, 400.17, 56/400.21, 400.05, 400.04, 330; 15/402, 15/142, 236.07, 236.08, 236.05, 159.1, 15/160, 171, 176.1, 236.01, 236.02; 601/137, 136, 80, 93, 95, 97, 101, 103, 601/138, 143-147; D8/13, 6, 10, 11, 12, D8/1, 33, 40, 41, 80, 94, 97, 98, 105, D8/107, 300-303, 307, 321; 126/173, 126/214 C, 25 R; D28/46, 48

CPC ..... A01K 13/00; A01K 13/002; B26B 19/24; B26B 19/063; B26B 19/00; B26B 19/02; B26B 19/04; B26B 19/06; B26B 19/10; B26B 19/20; B26B 19/22; B26B 19/28;

B26B 19/38; B26B 19/382; B26B 19/3813; B26B 19/3846; B26B 21/16; B26B 21/18; B26B 21/521; B26B 21/4075; B26B 21/522; B26B 21/00; B26B 21/12; B26B 21/125; B26B 21/4006; B26B 21/52; B26B 21/56; B26B 21/565; B26B 21/525; B26B 21/528; B26B 15/00; B26B 13/22; B26B  
(Continued)

(56) **References Cited**

U.S. PATENT DOCUMENTS

536,050 A \* 3/1895 Shevill ..... A47L 11/33 15/39.5  
1,143,840 A \* 6/1915 Lelong et al. .... A47L 11/33 15/39.5

(Continued)

*Primary Examiner* — Susan Moon Lee  
(74) *Attorney, Agent, or Firm* — ScienBiziP, P.C.

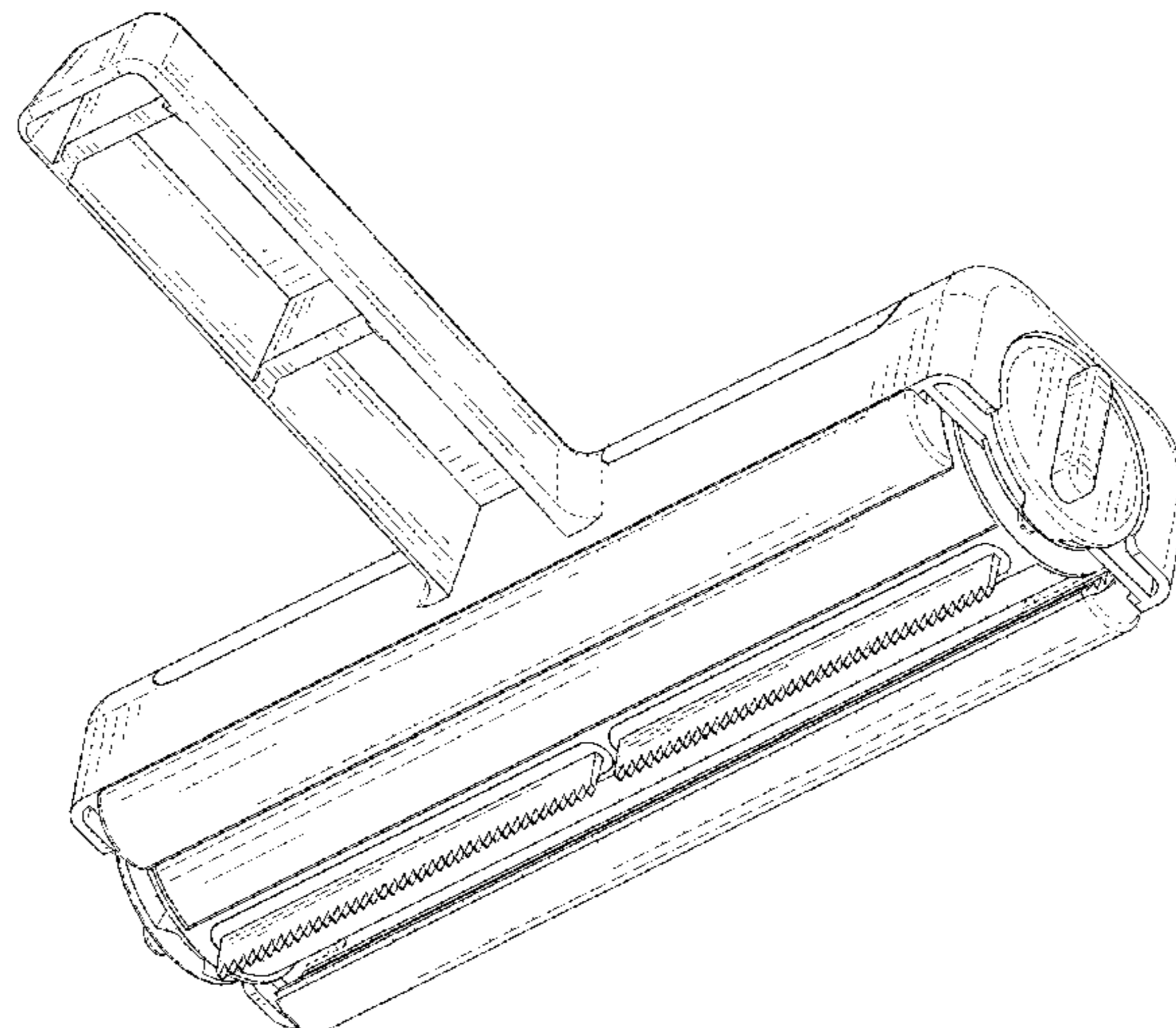
(57) **CLAIM**

The ornamental design for a pet hair remover apparatus, as shown and described.

**DESCRIPTION**

FIG. 1 is a front perspective view of a pet hair remover apparatus, showing my design.  
FIG. 2 is a rear perspective view thereof.  
FIG. 3 is a front elevation view thereof.  
FIG. 4 is a rear elevation view thereof.  
FIG. 5 is a left side elevation thereof.  
FIG. 6 is a right side elevation thereof.  
FIG. 7 is a top plan view thereof.  
FIG. 8 is a bottom plan view thereof; and,  
FIG. 9 is an enlarged view of an area labeled 9 in FIG. 2.  
The broken lines in the drawings depict environmental structure and boundaries and form no part of the claimed design.

**1 Claim, 9 Drawing Sheets**



# US D910,246 S

(58) **Field of Classification Search**

CPC ..... 13/24; B26B 13/26; A45D 24/30; A45D 24/00; A45D 24/04; A45D 24/10; A45D 24/36; A45D 24/02; A45D 24/40; A45D 24/42; A45D 24/44; A45D 2024/345; A45D 24/06; A46B 5/02; A46B 5/021; A46B 5/026; A46B 5/028; A46B 2200/1093; A46B 2200/10; A46B 9/02; A46B 7/04-044; B25G 1/01; B25G 1/10; B25G 1/102; B25G 3/00; B25G 3/04; B25G 3/08; Y10T 16/476; Y10T 16/48

See application file for complete search history.

(56) **References Cited**

U.S. PATENT DOCUMENTS

1,236,122 A \* 8/1917 Suttle ..... A47L 11/33  
15/39.5  
1,402,343 A \* 1/1922 Harry ..... A47L 11/4025  
15/39.5  
1,461,814 A \* 7/1923 Aisenstein ..... A47L 11/33  
15/39.5  
1,467,252 A \* 9/1923 Share ..... A47L 11/4041  
15/21.1  
1,480,562 A \* 1/1924 Mock ..... A47L 13/52  
15/341  
D206,258 S \* 11/1966 Roth ..... D4/122  
D229,619 S \* 12/1973 Sleith ..... D30/158  
3,955,238 A \* 5/1976 Remijas ..... A01K 13/002  
15/402  
D240,435 S \* 7/1976 Remijas ..... D23/254  
4,044,724 A \* 8/1977 Merchill ..... A01K 13/002  
119/605  
5,267,528 A \* 12/1993 Murieen, Sr. .... A46B 17/06  
119/628  
5,333,341 A \* 8/1994 Heneveld ..... A47L 25/005  
15/104.002  
D358,908 S \* 5/1995 Rawski ..... 119/626  
D358,909 S \* 5/1995 Rawski ..... 119/626  
D389,618 S \* 1/1998 Rosen ..... D30/158  
D439,387 S \* 3/2001 Ancona ..... D32/42  
6,571,478 B1 \* 6/2003 Romani ..... B26B 19/44  
30/132  
D532,203 S \* 11/2006 Tuman ..... D4/122  
7,159,274 B2 \* 1/2007 Freidell ..... A01K 13/002  
15/339

D627,565 S \* 11/2010 Tyce ..... D4/102  
D638,222 S \* 5/2011 Molinet ..... D4/122  
D640,431 S \* 6/2011 Houghton ..... D32/33  
8,006,648 B1 \* 8/2011 Sourwine ..... A01K 13/001  
119/609  
D671,748 S \* 12/2012 Guyton ..... D4/122  
D679,878 S \* 4/2013 Chudleigh ..... D32/33  
D690,944 S \* 10/2013 Lee ..... D4/122  
D703,879 S \* 4/2014 Green ..... D30/158  
9,301,499 B2 \* 4/2016 Holt, Jr. .... A01K 13/002  
9,301,500 B1 \* 4/2016 Murphy ..... A01K 13/002  
D781,016 S \* 3/2017 Ulm ..... D32/33  
D796,136 S \* 8/2017 Reynolds ..... D32/33  
9,867,363 B2 \* 1/2018 Ristaniemi ..... A01K 13/002  
10,130,224 B2 \* 11/2018 Downey ..... A47L 9/02  
D858,998 S 9/2019 Zhang  
10,398,271 B2 \* 9/2019 Moyher, Jr. .... A47L 9/02  
10,492,467 B2 \* 12/2019 Harris, II ..... A45D 24/04  
10,617,098 B2 \* 4/2020 Sullivan ..... A46B 9/026  
D890,531 S 7/2020 Quan  
D891,710 S \* 7/2020 Zhang ..... D30/158  
D899,713 S \* 10/2020 Lu ..... D30/159  
2002/0166512 A1 \* 11/2002 Corbett ..... A01K 13/002  
119/611  
2006/0249094 A1 \* 11/2006 Hellyer ..... A01K 13/002  
119/631  
2007/0113795 A1 \* 5/2007 Hajjar ..... A01K 13/002  
119/608  
2007/0169720 A1 \* 7/2007 Roy ..... A01K 13/002  
119/615  
2008/0115735 A1 \* 5/2008 Wang ..... A01K 13/002  
119/614  
2009/0126649 A1 \* 5/2009 Porter ..... A01K 13/002  
119/601  
2010/0064979 A1 \* 3/2010 Leonard ..... A01K 15/02  
119/601  
2011/0180013 A1 \* 7/2011 Kissel, Jr. .... A46D 1/00  
119/609  
2011/0259281 A1 \* 10/2011 Mak ..... A01K 13/002  
119/631  
2012/0304938 A1 \* 12/2012 Wang ..... A01K 13/002  
119/618  
2017/0071156 A1 \* 3/2017 Cafasso ..... A01K 13/002  
2019/0246764 A1 \* 8/2019 Ott ..... A45D 24/40  
2020/0128789 A1 \* 4/2020 Gates ..... A46B 15/0053  
2020/0329856 A1 \* 10/2020 Huang ..... A46B 9/023

\* cited by examiner

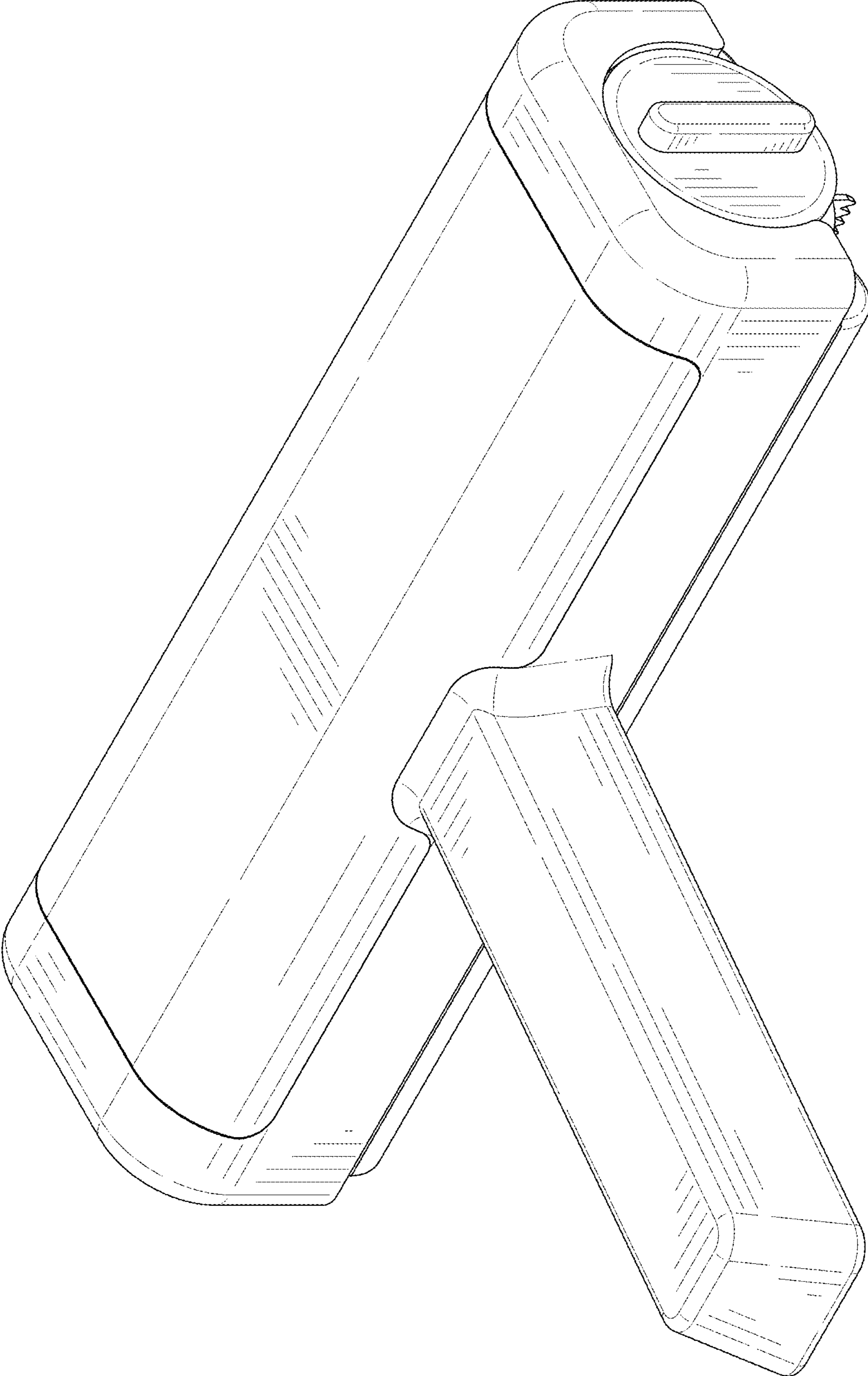


FIG. 1

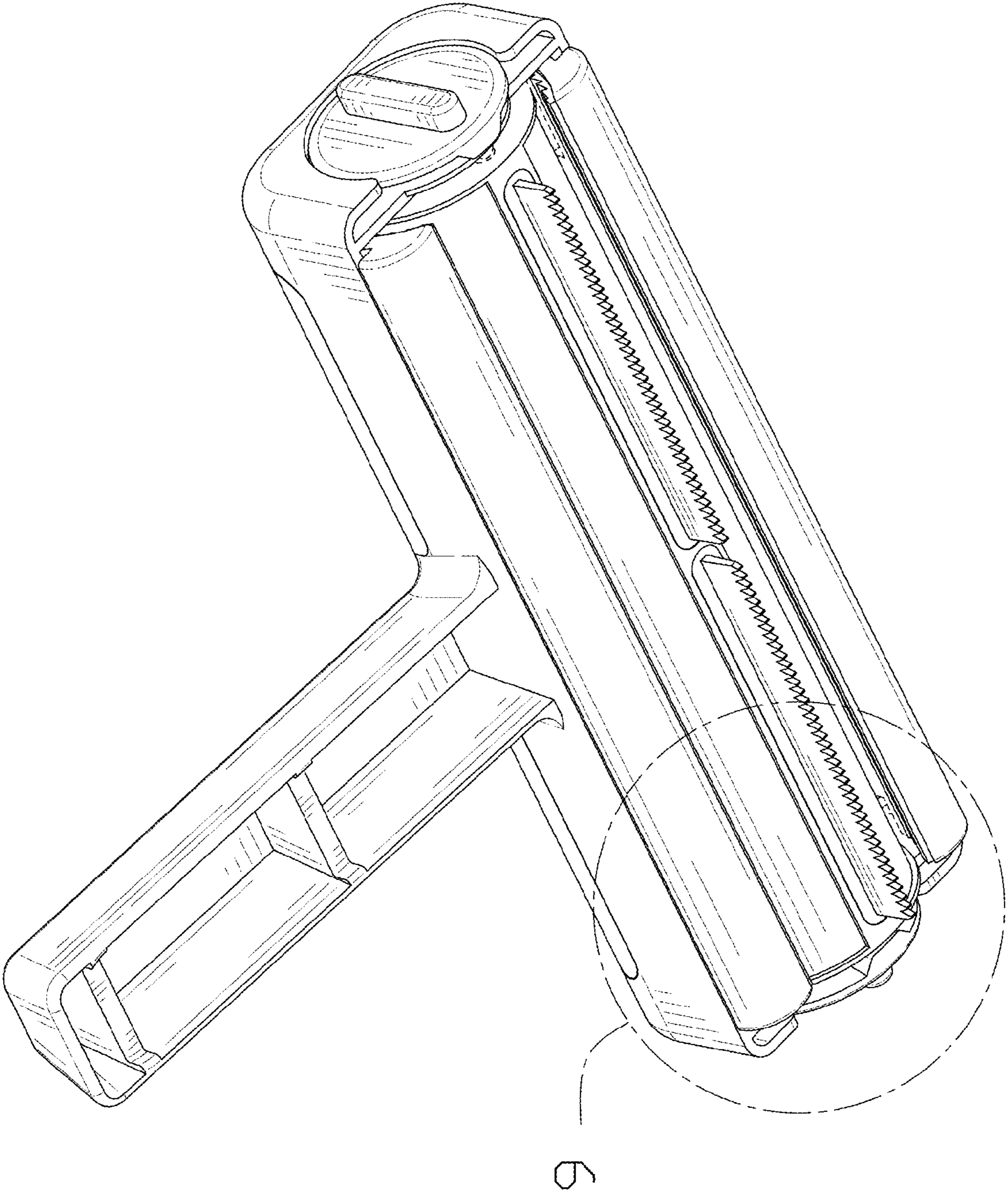


FIG. 2

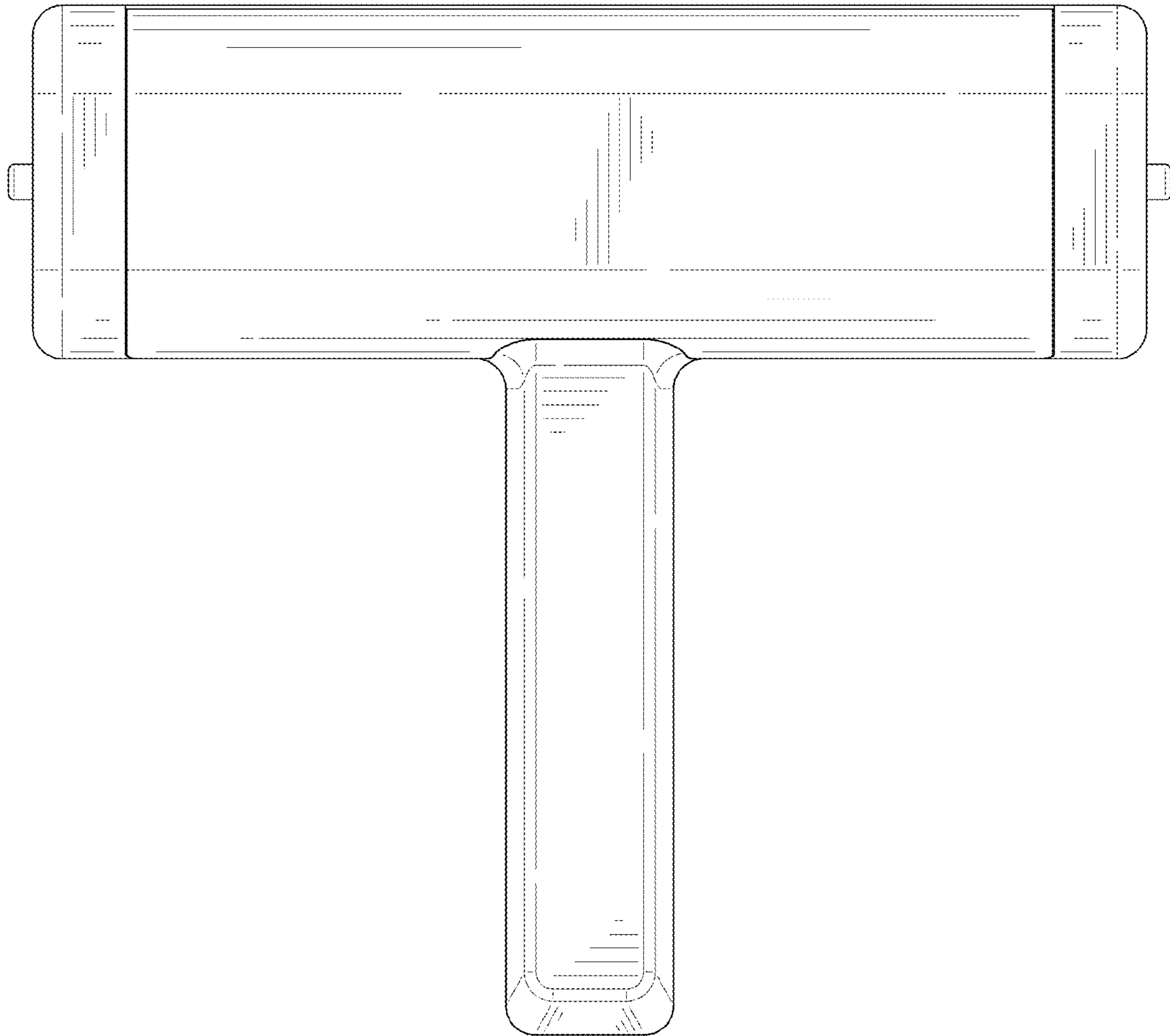


FIG. 3

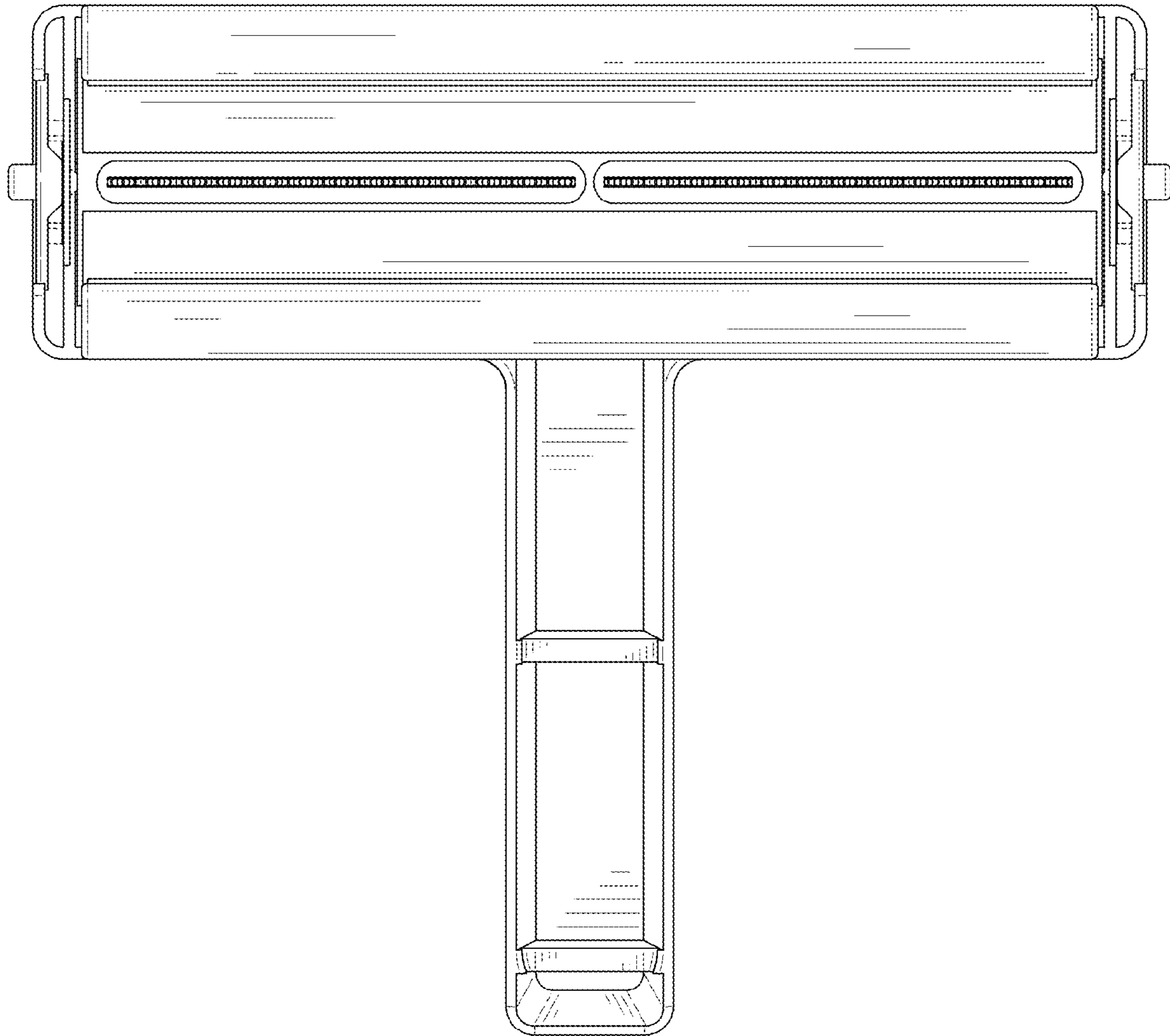


FIG. 4

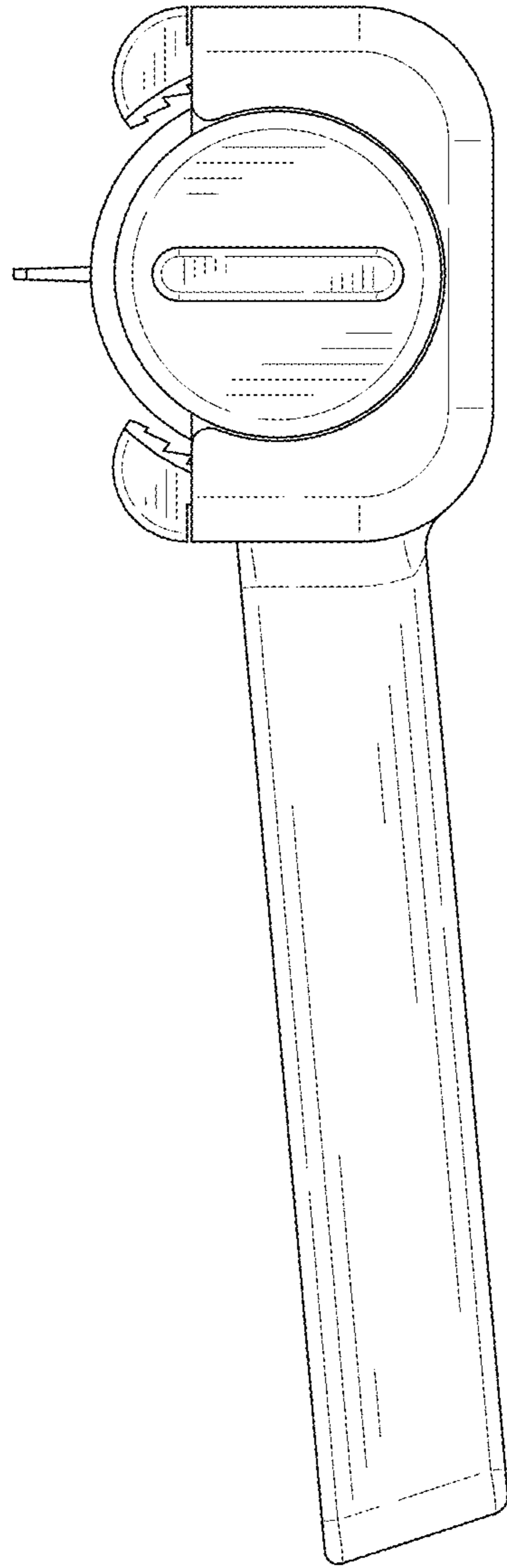


FIG. 5

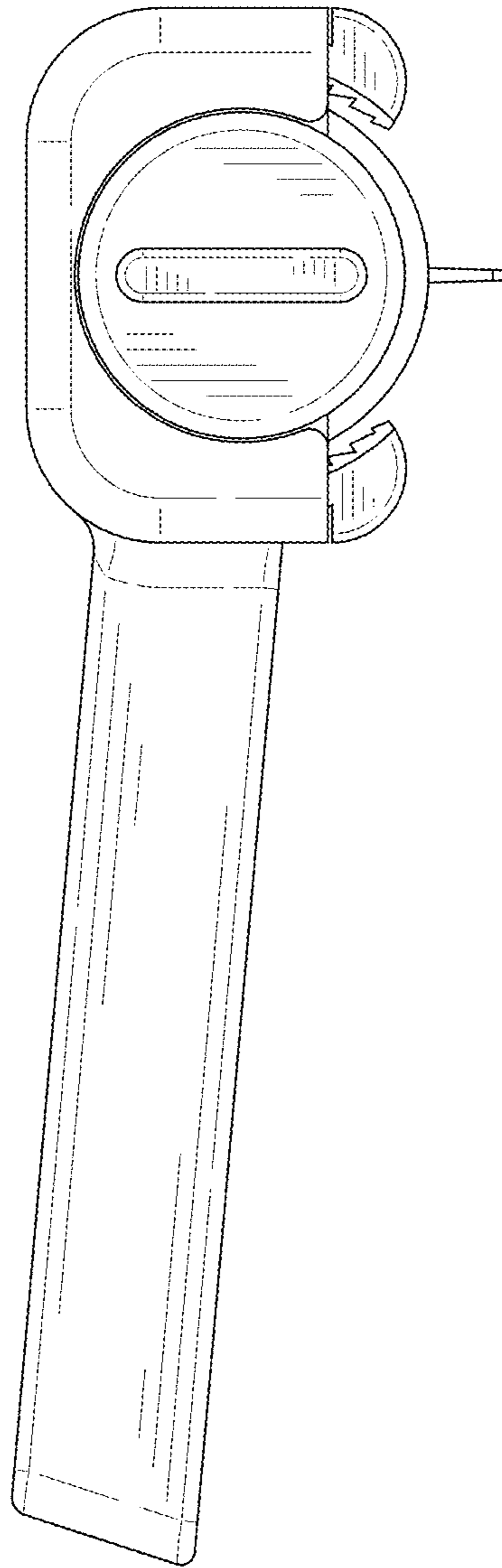


FIG. 6



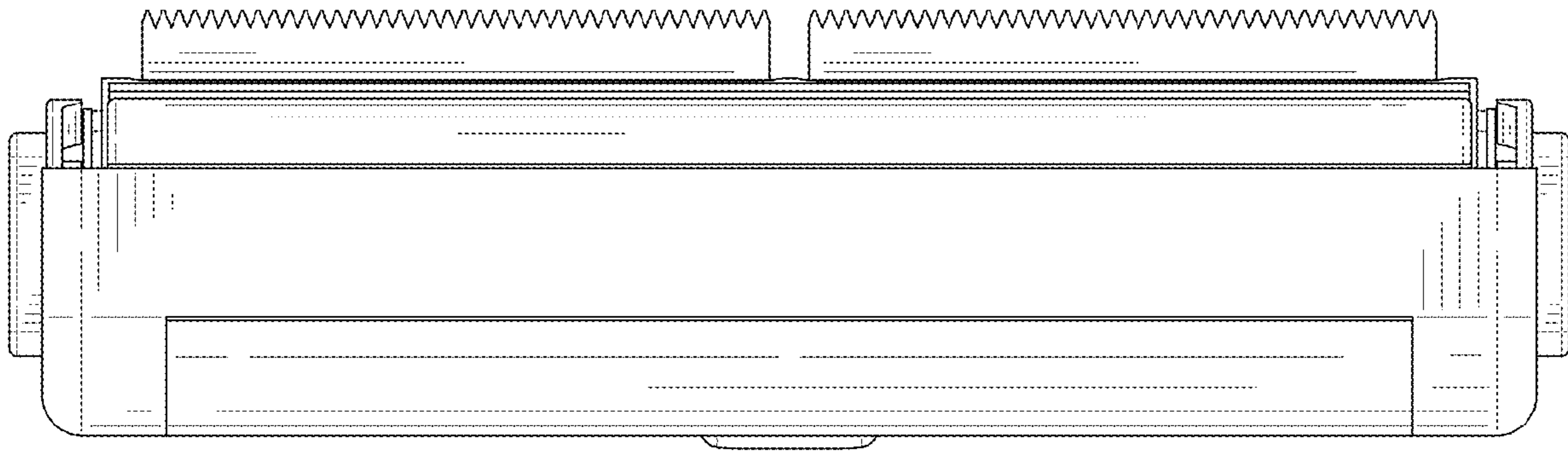


FIG. 7

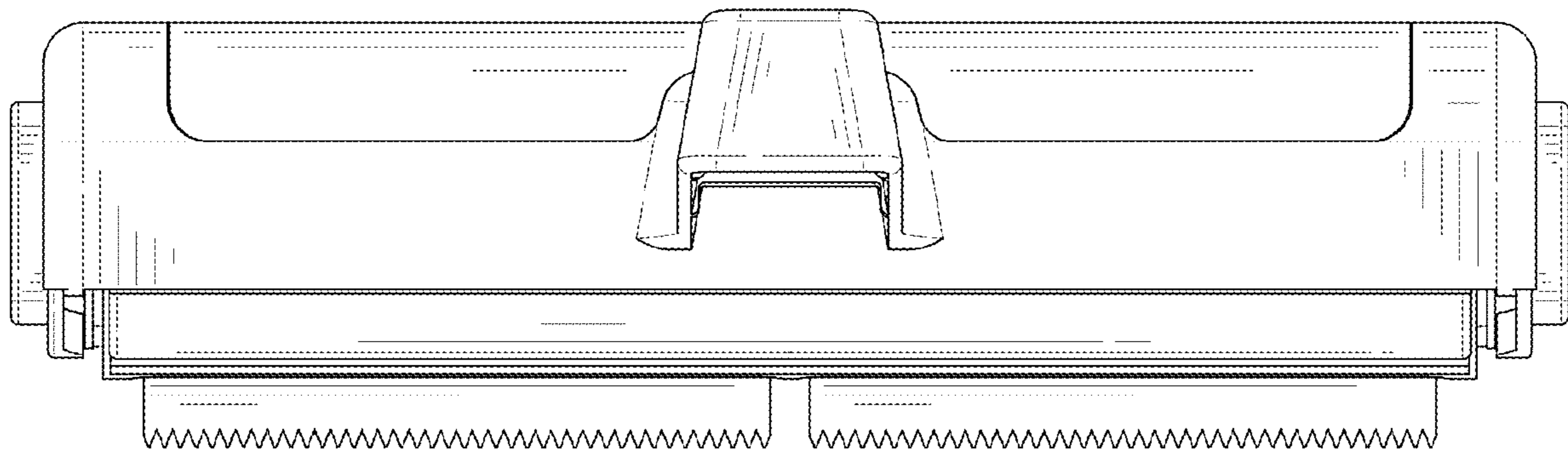


FIG. 8

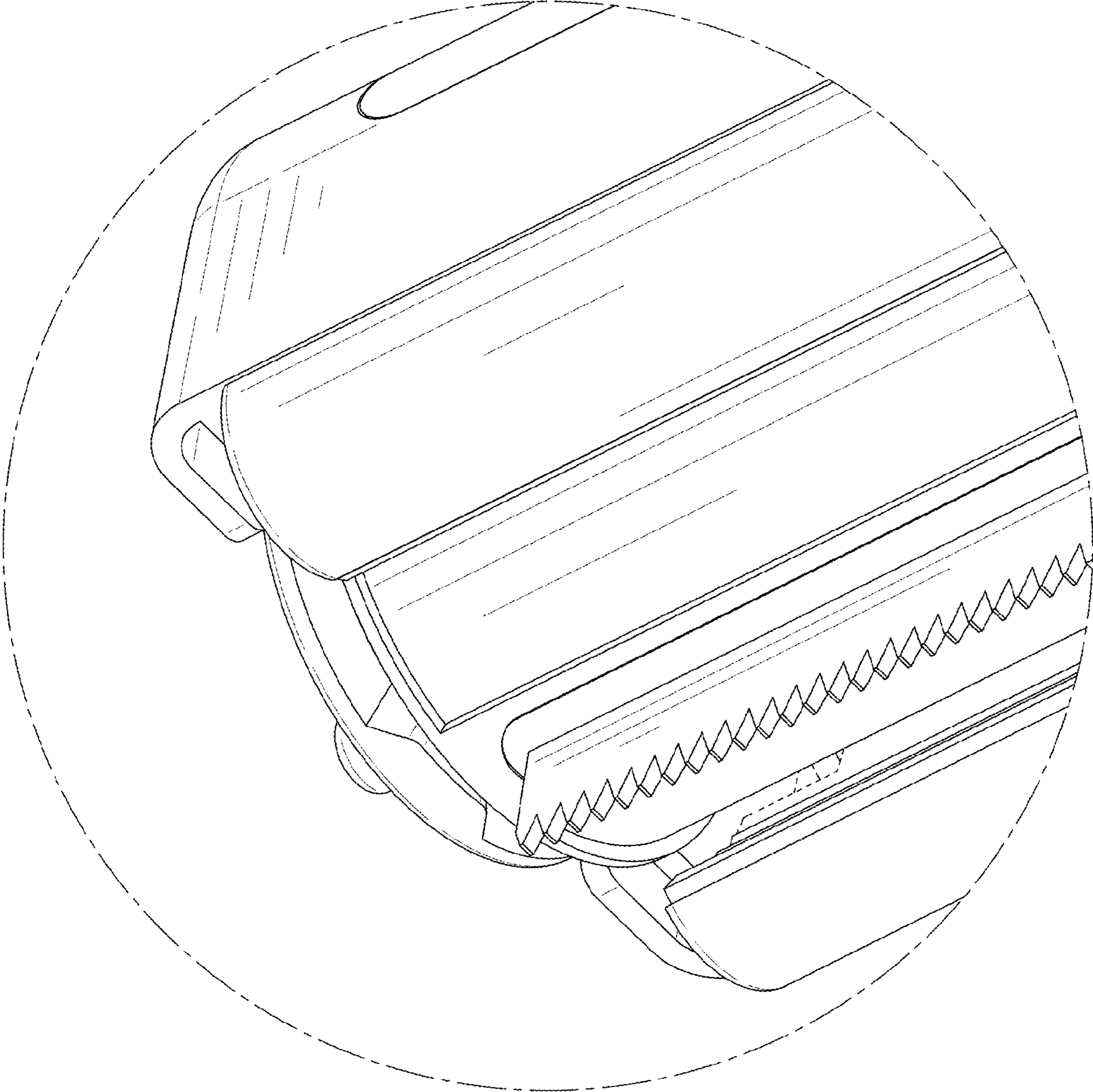


FIG. 9