



US00D910245S

(12) **United States Design Patent**
Li

(10) **Patent No.:** **US D910,245 S**
(45) **Date of Patent:** **** Feb. 9, 2021**

(54) **PET HARNESS**

(71) Applicant: **Ruzhu Li**, Jiangxi (CN)

(72) Inventor: **Ruzhu Li**, Jiangxi (CN)

(**) Term: **15 Years**

(21) Appl. No.: **29/710,239**

(22) Filed: **Oct. 22, 2019**

(51) **LOC (13) Cl.** **30-04**

(52) **U.S. Cl.**
USPC **D30/152**

(58) **Field of Classification Search**
USPC D30/144, 145, 151, 152; D29/101.1,
D29/101.3, 101.4, 101.5; D24/190
CPC A01K 27/002; B65G 7/12
See application file for complete search history.

(56) **References Cited**

U.S. PATENT DOCUMENTS

D459,842	S	*	7/2002	Kaplan	D30/145
D555,289	S	*	11/2007	Escarcega	D29/101.3
D816,920	S	*	5/2018	Drinkwater	D30/152
D867,686	S	*	11/2019	Yun	D30/152
D885,688	S	*	5/2020	Pan	D30/145
D886,395	S	*	6/2020	Han	D30/152
D889,755	S	*	7/2020	Dusev	D30/152
D894,502	S	*	8/2020	Li	D30/152
D896,449	S	*	9/2020	Dang	D30/152
2019/0297851	A1	*	10/2019	Nixon	B63C 9/1255
2020/0029533	A1	*	1/2020	Badr	A01K 27/008
2020/0113728	A1	*	4/2020	Spector	A61B 5/6805
2020/0305394	A1	*	10/2020	Stouder	A01K 27/006

OTHER PUBLICATIONS

“LuvDoggy: Service Dog Vest”. Found online Feb. 15, 2018 at luvdoggy.com. Reference dated Feb. 15, 2018. Retrieved from

<https://www.luvdoggy.com/collections/dog-vest/products/vest-leash-dog-tag>.*

“Industrial Puppy Service Dog Vest”. Found online Oct. 27, 2020 at amazon.com. Reference dated Sep. 22, 2014. Retrieved from https://www.amazon.com/Industrial-Puppy-Available-Reflective-Comfortable/dp/B00NSIYLLK/ref=sr_1_49_sspa?dchild=1.*

“Fairwin Service Vest Dog Harness”. Found online Oct. 27, 2020 at amazon.com. Reference dated Oct. 22, 2017. Retrieved from https://www.amazon.com/Fairwin-Service-Vest-Dog-Harness/dp/B076P5H2G9/ref=sr_1_10?dchild=1.*

* cited by examiner

Primary Examiner — Kendra Leslie Hamilton

(74) *Attorney, Agent, or Firm* — Zhihua Han; Wen IP LLC

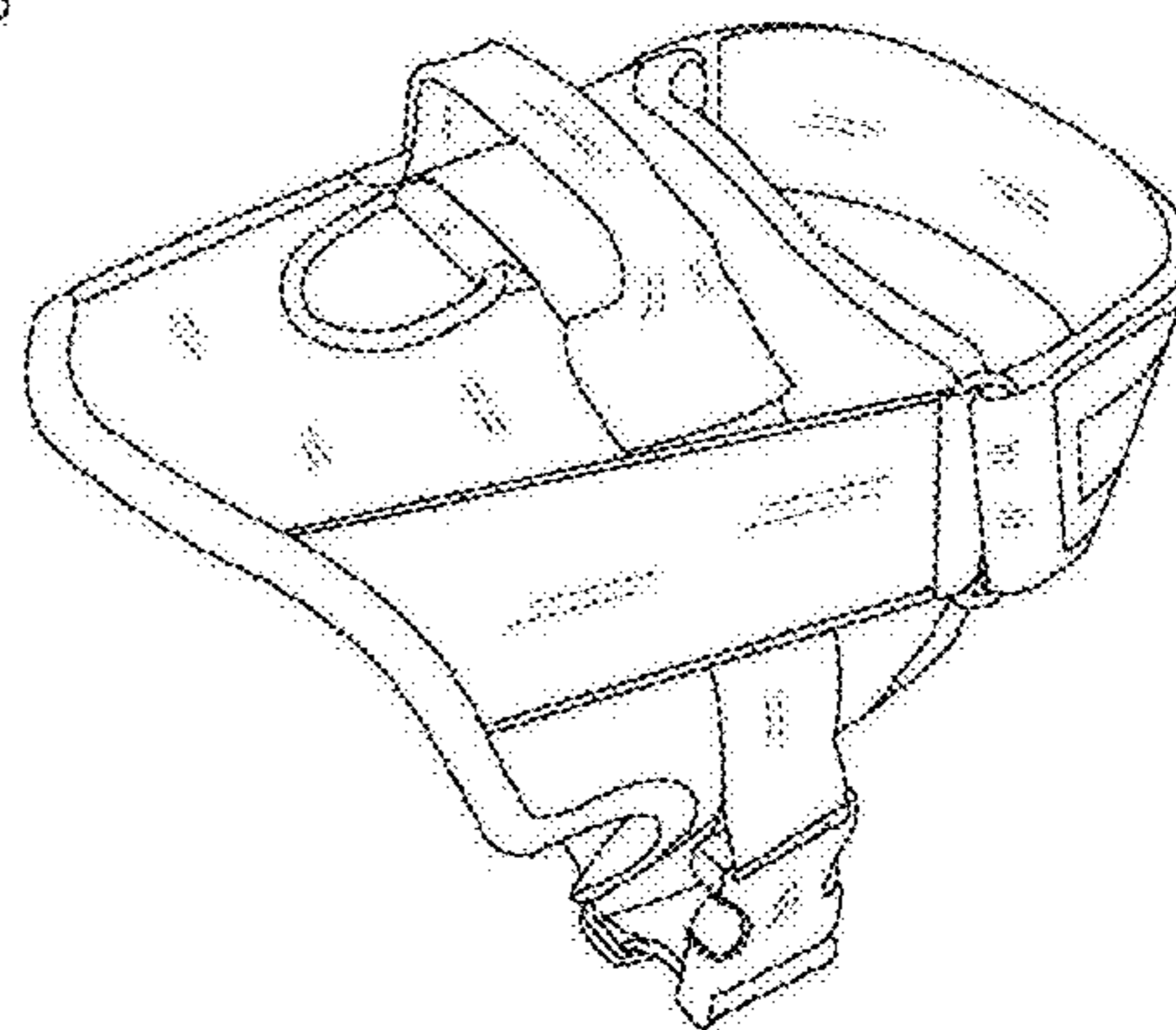
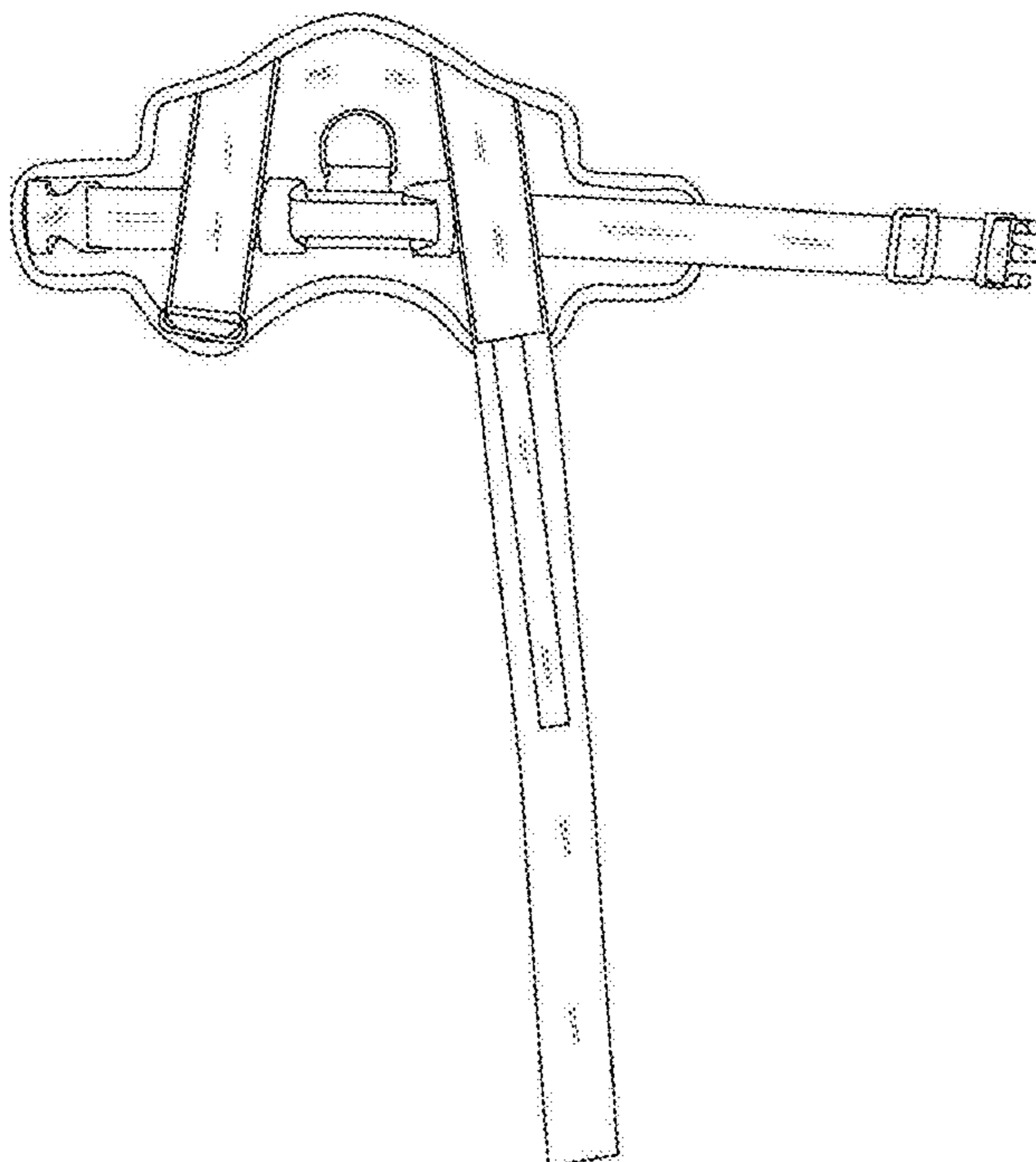
(57) **CLAIM**

The ornamental design for a pet harness, as shown and described.

DESCRIPTION

FIG. 1 is a front elevation view of a pet harness, shown flattened in a first configuration with the straps unfastened; FIG. 2 is a rear elevation view thereof; FIG. 3 is a left side elevation view thereof; FIG. 4 is a right side elevation view thereof; FIG. 5 is a top plan view thereof; FIG. 6 is a bottom plan view thereof; FIG. 7 is a top, front, left perspective view of the pet harness of FIG. 1, shown in a second configuration with the straps fastened; and, FIG. 8 is a top, front, right perspective view thereof.

1 Claim, 8 Drawing Sheets



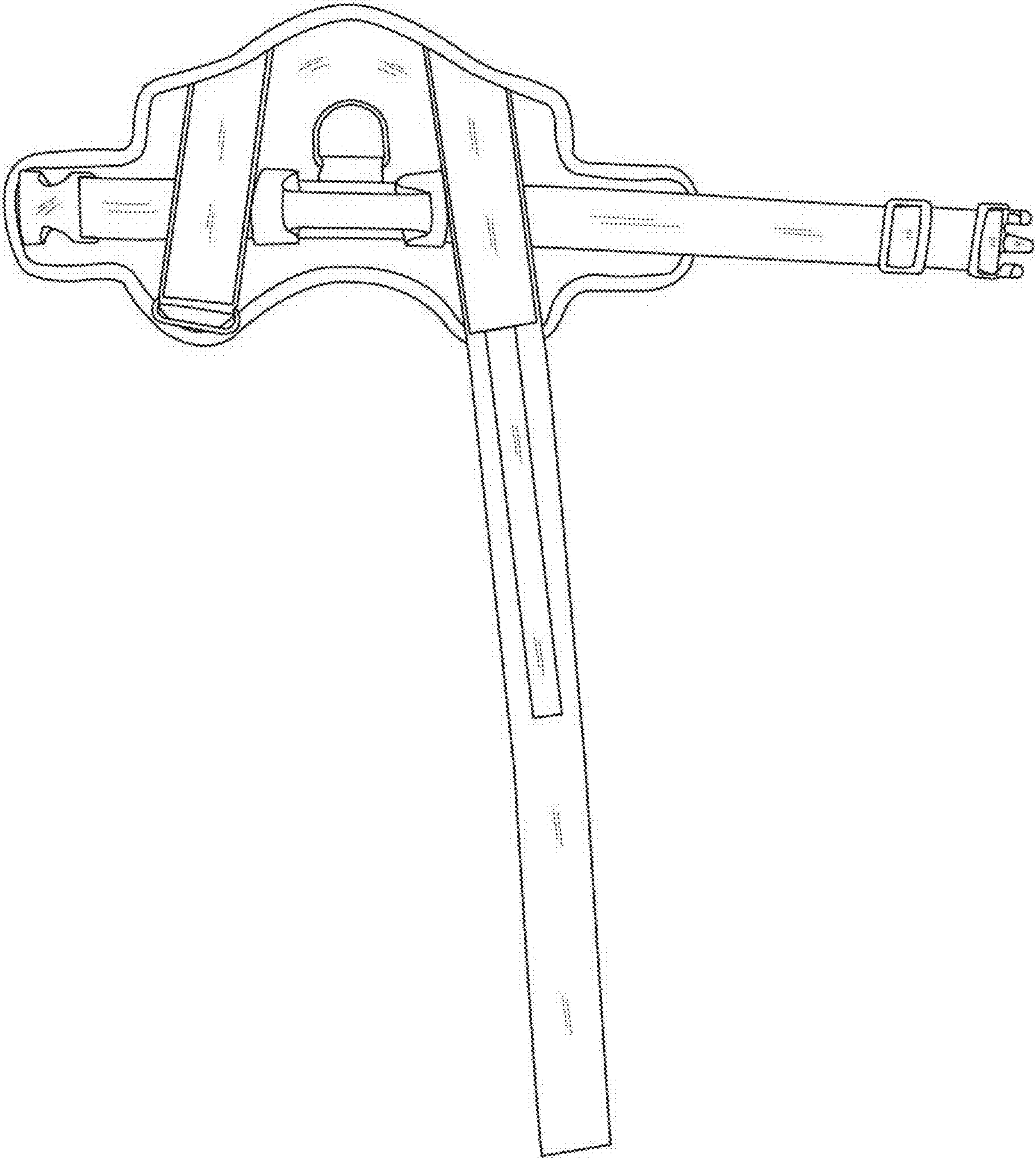


FIG.1

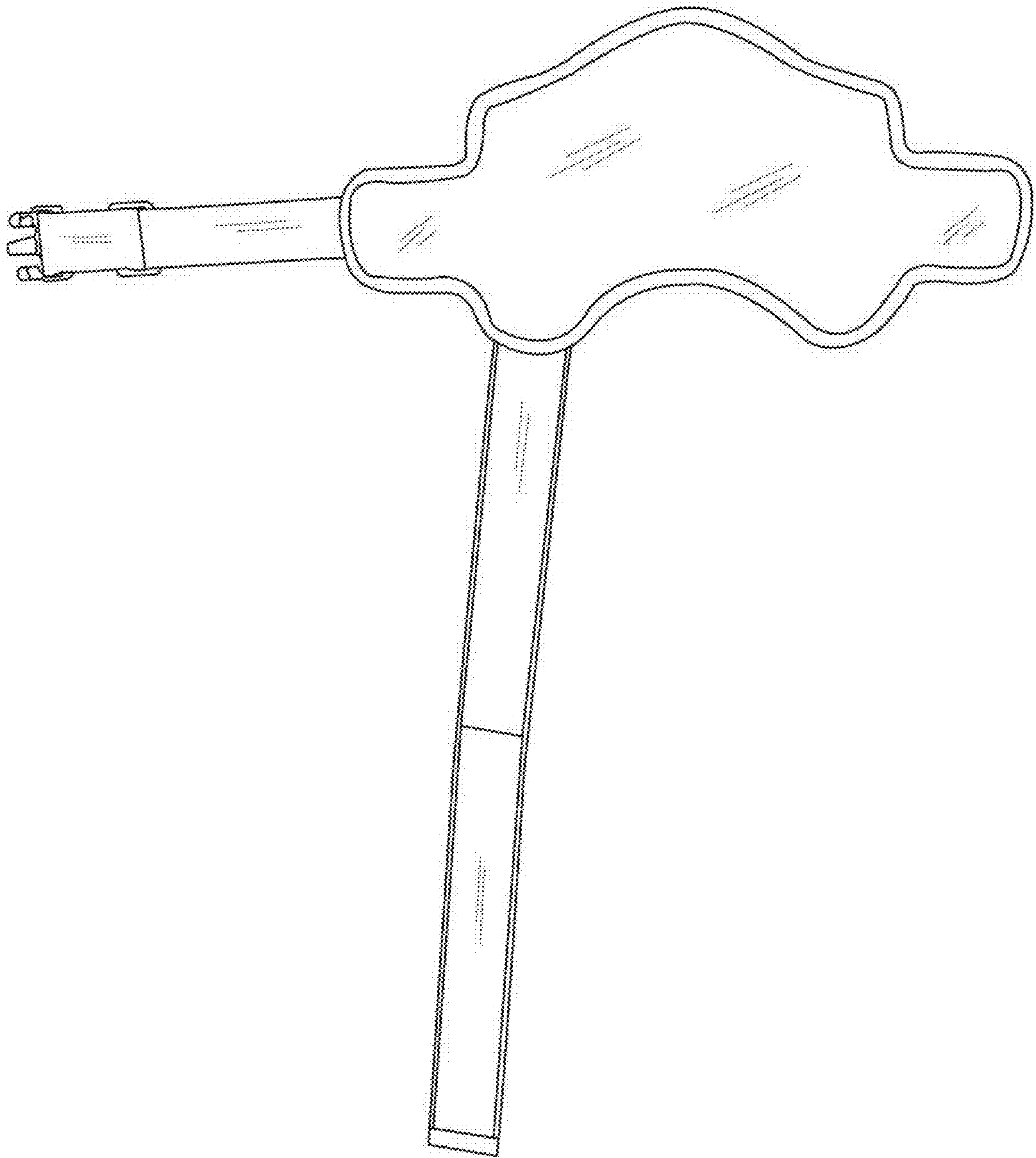


FIG.2

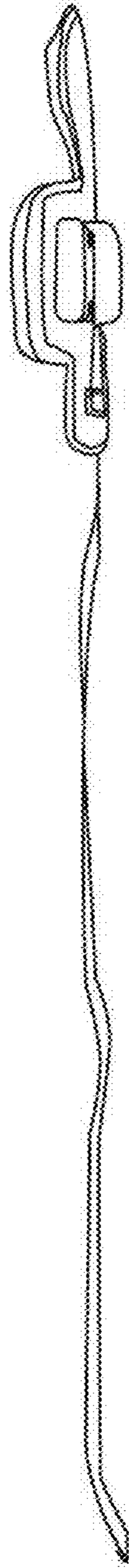


FIG.3

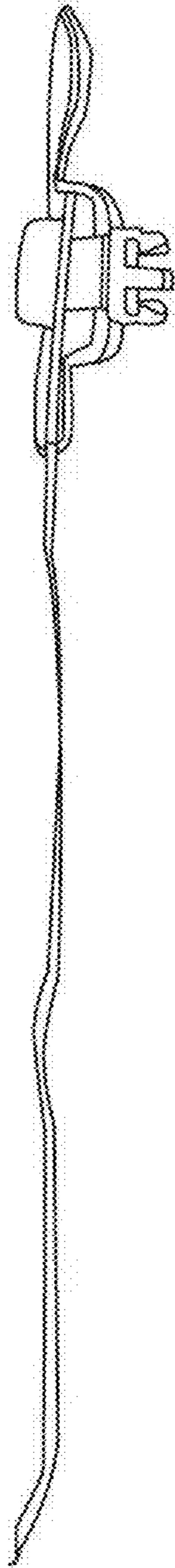


FIG.4

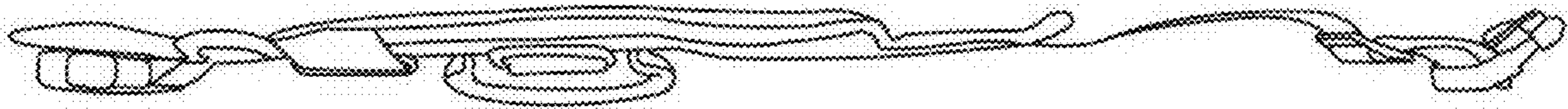


FIG.5

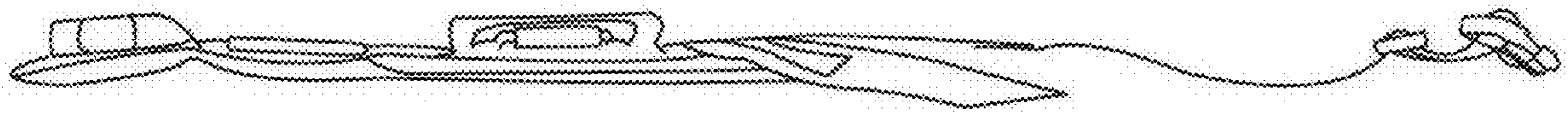


FIG.6

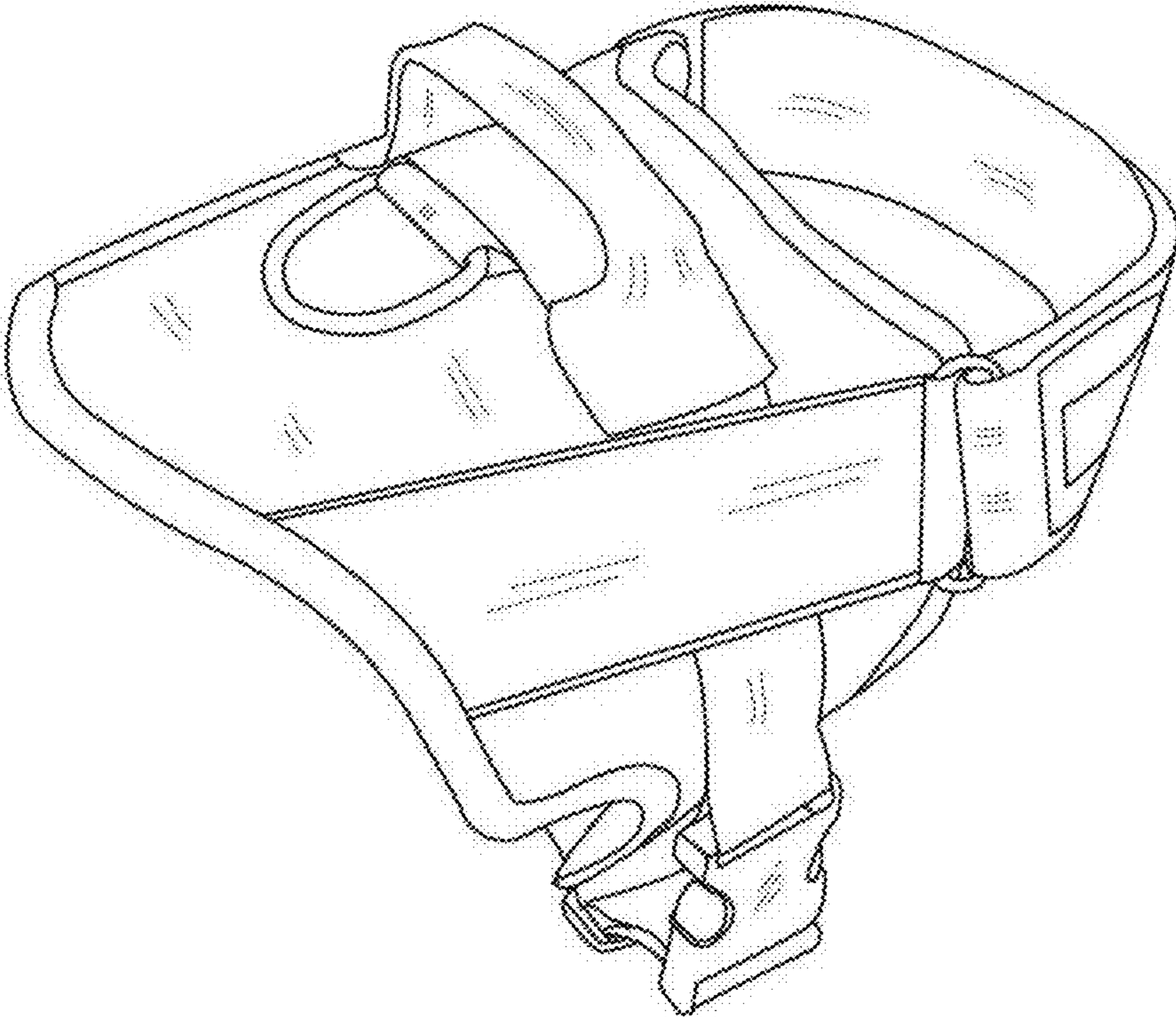


FIG.7

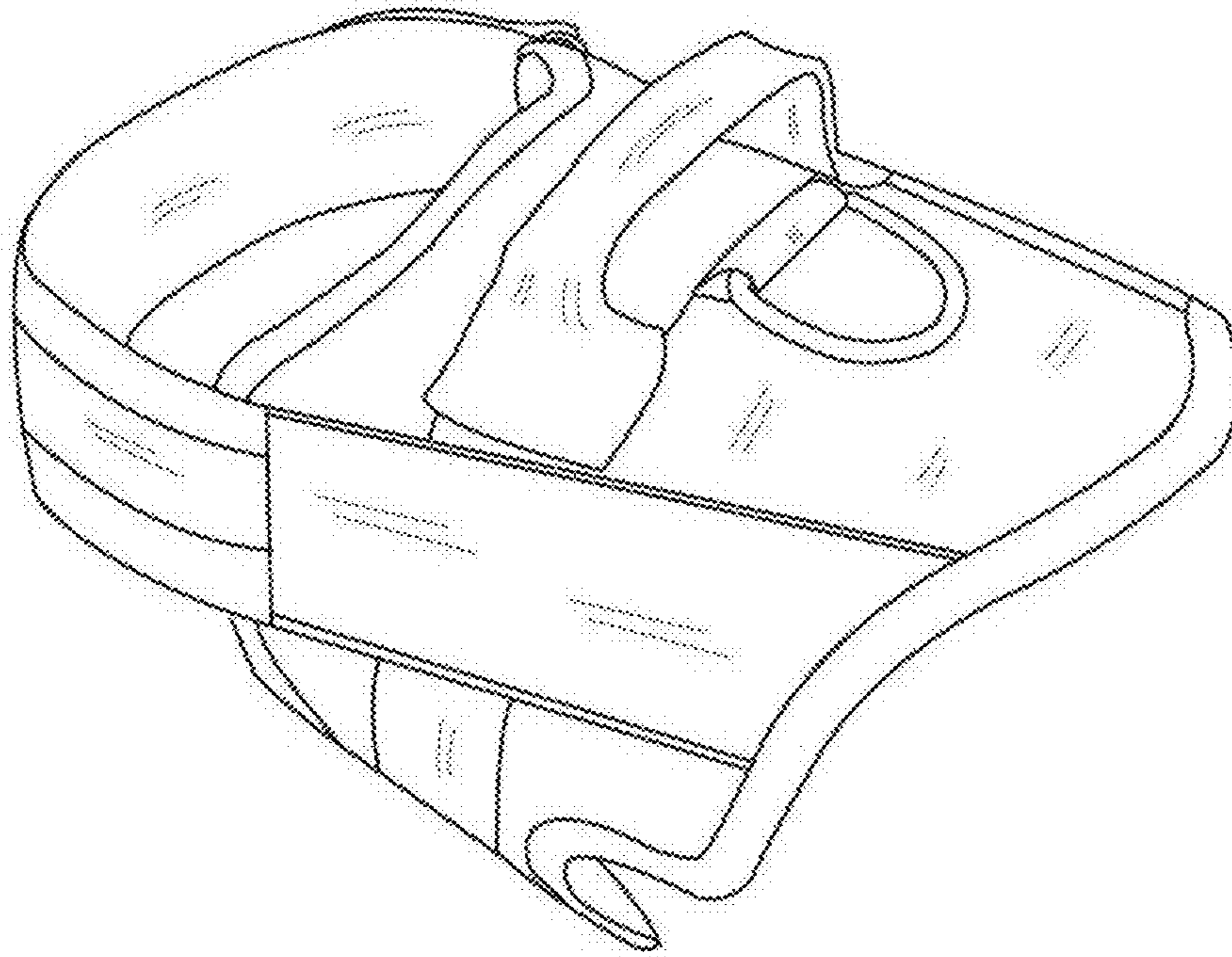


FIG.8