



US00D910241S

(12) **United States Design Patent** (10) **Patent No.:** **US D910,241 S**
Koefeldt et al. (45) **Date of Patent:** **** Feb. 9, 2021**

(54) **FACE SHIELD**

(71) Applicant: **Polymer Solutions International Inc.**,
Medford, NJ (US)

(72) Inventors: **Gerald Koefeldt**, Lake Bluff, IL (US);
Connor Koefeldt, Medford, NJ (US)

(73) Assignee: **Polymer Solutions International Inc.**,
Medford, NJ (US)

(**) Term: **15 Years**

(21) Appl. No.: **29/733,911**

(22) Filed: **May 7, 2020**

(51) **LOC (13) Cl.** **29-02**

(52) **U.S. Cl.**
USPC **D29/110**

(58) **Field of Classification Search**
USPC D29/105–110, 123; D24/110.1–110.2;
D2/866, 893; D28/10; D16/310–312
See application file for complete search history.

(56) **References Cited**

U.S. PATENT DOCUMENTS

4,063,740 A * 12/1977 Mader A63B 69/3608
473/210
D266,795 S * 11/1982 Gronborg D29/109
(Continued)

Primary Examiner — Robert A Delehanty

(74) *Attorney, Agent, or Firm* — RatnerPrestia

(57) **CLAIM**

The ornamental design for a face shield, as shown and described.

DESCRIPTION

FIG. 1 is a perspective view of a face shield shown in a flattened configuration and according to a first exemplary embodiment;

FIG. 2 is a front view thereof, the rear view being a mirror image thereof;

FIG. 3 is a right side view thereof, the left side being a mirror image thereof;

FIG. 4 is a top plan view thereof; and

FIG. 5 is a bottom plan view thereof.

FIG. 6 is a perspective view of a face shield shown in a flattened configuration and according to a second exemplary embodiment;

FIG. 7 is a front view thereof, the rear view being a mirror image thereof;

FIG. 8 is a right side view thereof, the left side being a mirror image thereof;

FIG. 9 is a top plan view thereof; and

FIG. 10 is a bottom plan view thereof.

FIG. 11 is a perspective view of a face shield shown in a flattened configuration and according to a third exemplary embodiment;

FIG. 12 is a front view thereof, the rear view being a mirror image thereof;

FIG. 13 is a right side view thereof, the left side being a mirror image thereof;

FIG. 14 is a top plan view thereof; and

FIG. 15 is a bottom plan view thereof.

FIG. 16 is a perspective view of a face shield shown in a flattened configuration and according to a fourth exemplary embodiment;

FIG. 17 is a front view thereof, the rear view being a mirror image thereof;

FIG. 18 is a right side view thereof, the left side being a mirror image thereof;

FIG. 19 is a top plan view thereof; and

FIG. 20 is a bottom plan view thereof.

FIG. 21 is a perspective view of the face shield of FIG. 1 shown in an assembled configuration;

FIG. 22 is a front view thereof;

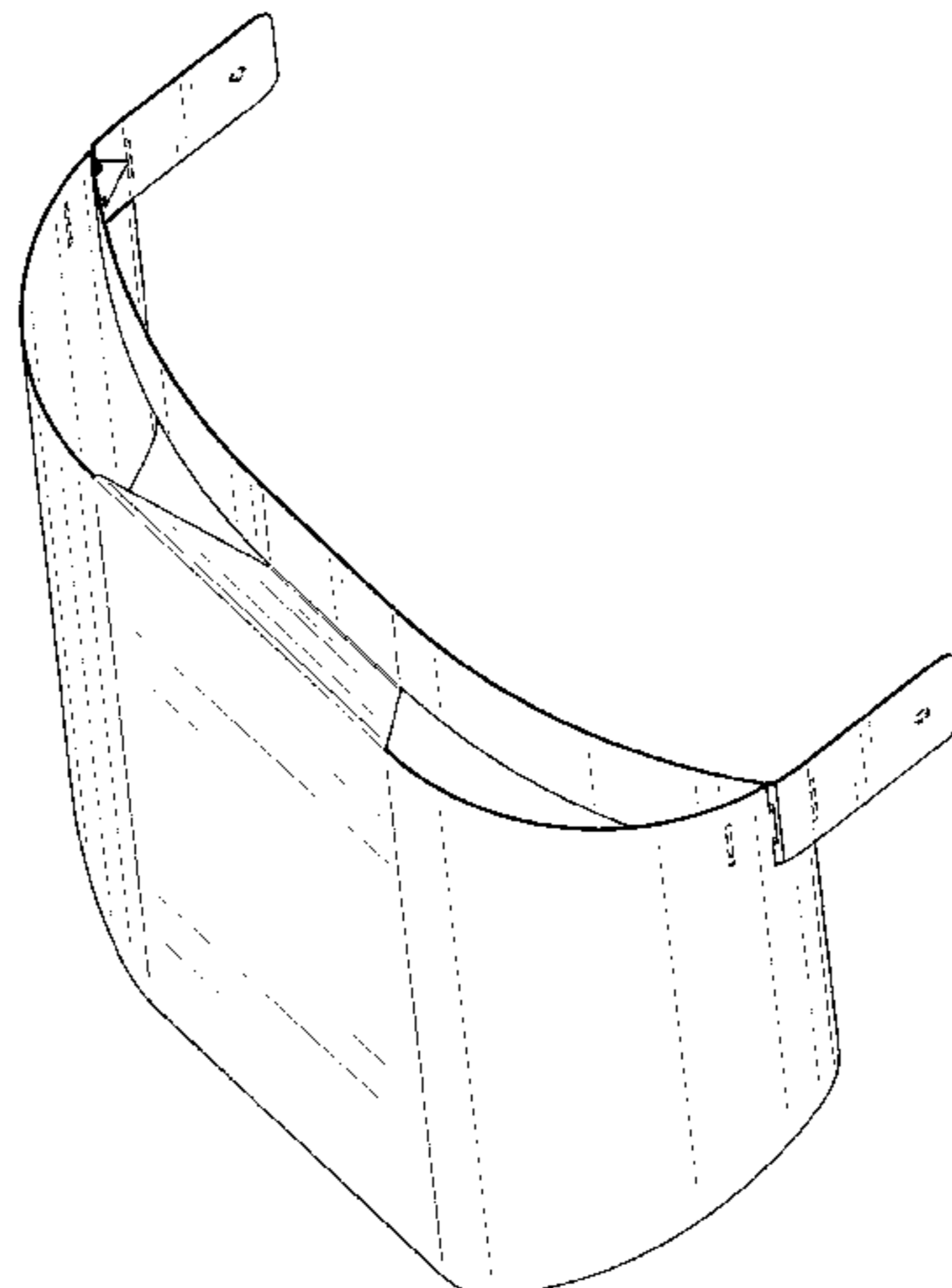
FIG. 23 is a rear view thereof;

FIG. 24 is a left side view thereof, the right side being a mirror image thereof;

FIG. 25 is a top plan view thereof; and,

FIG. 26 is a bottom plan view thereof.

(Continued)



The portions of the face shield shown in broken lines are for illustrative and environmental purposes and form no part of the claimed design.

1 Claim, 21 Drawing Sheets

(56) **References Cited**

U.S. PATENT DOCUMENTS

4,852,186	A *	8/1989	Landis	A41D 13/1184 2/9
4,864,653	A *	9/1989	Landis	A61F 9/02 2/9
D307,065	S *	4/1990	Friedman	D29/110
4,945,573	A *	8/1990	Landis	A61F 9/02 128/863
5,208,916	A *	5/1993	Kelman	A42B 1/247 2/10
D354,589	S *	1/1995	Russell	D29/110
D375,583	S *	11/1996	Landis	D29/108
D418,256	S *	12/1999	Caruana	D29/110
D539,987	S *	4/2007	Love	D29/110
D759,900	S *	6/2016	Cummings	D29/110
D899,002	S *	10/2020	Chapman	D29/110

* cited by examiner

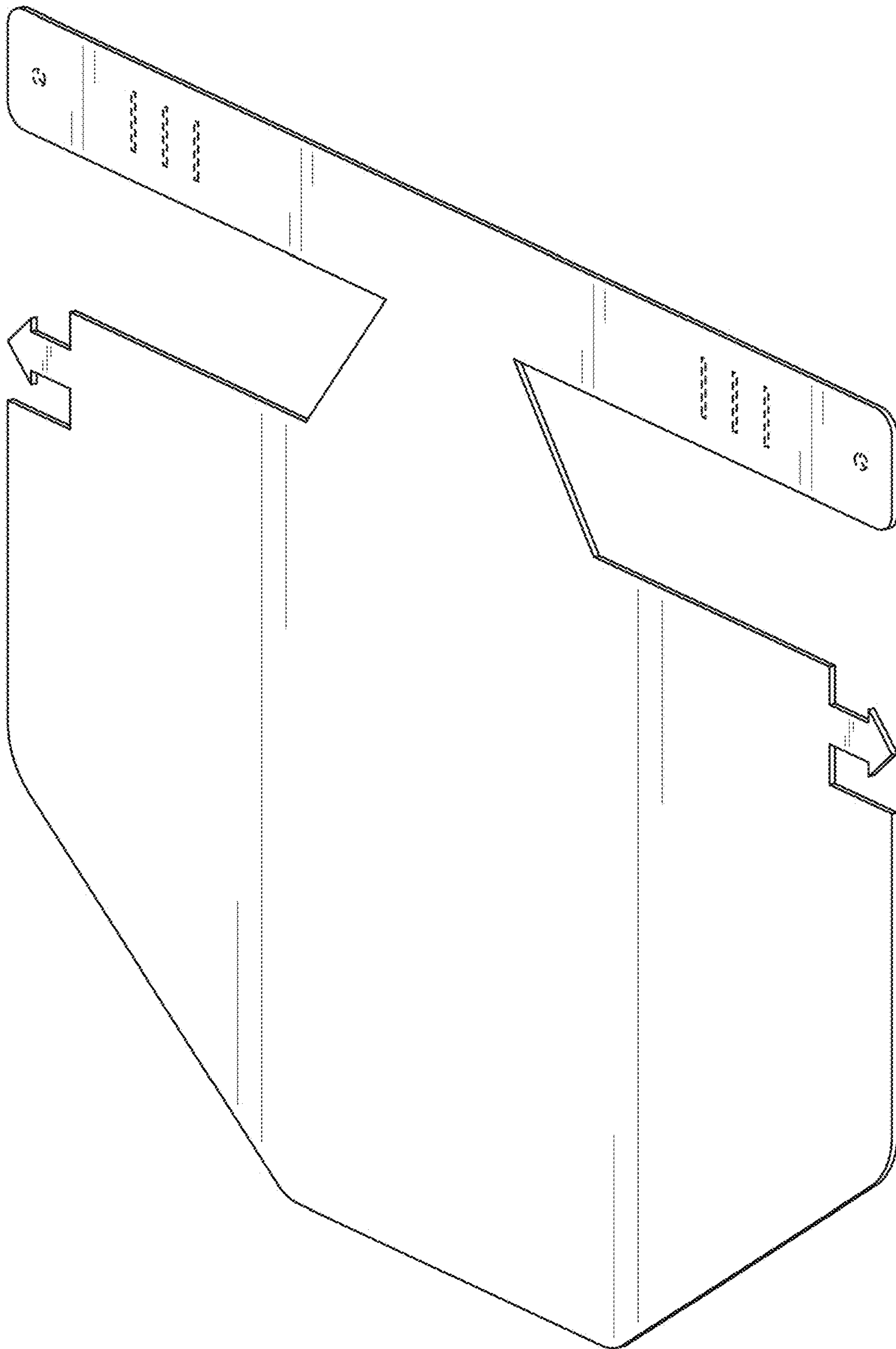


FIG. 1

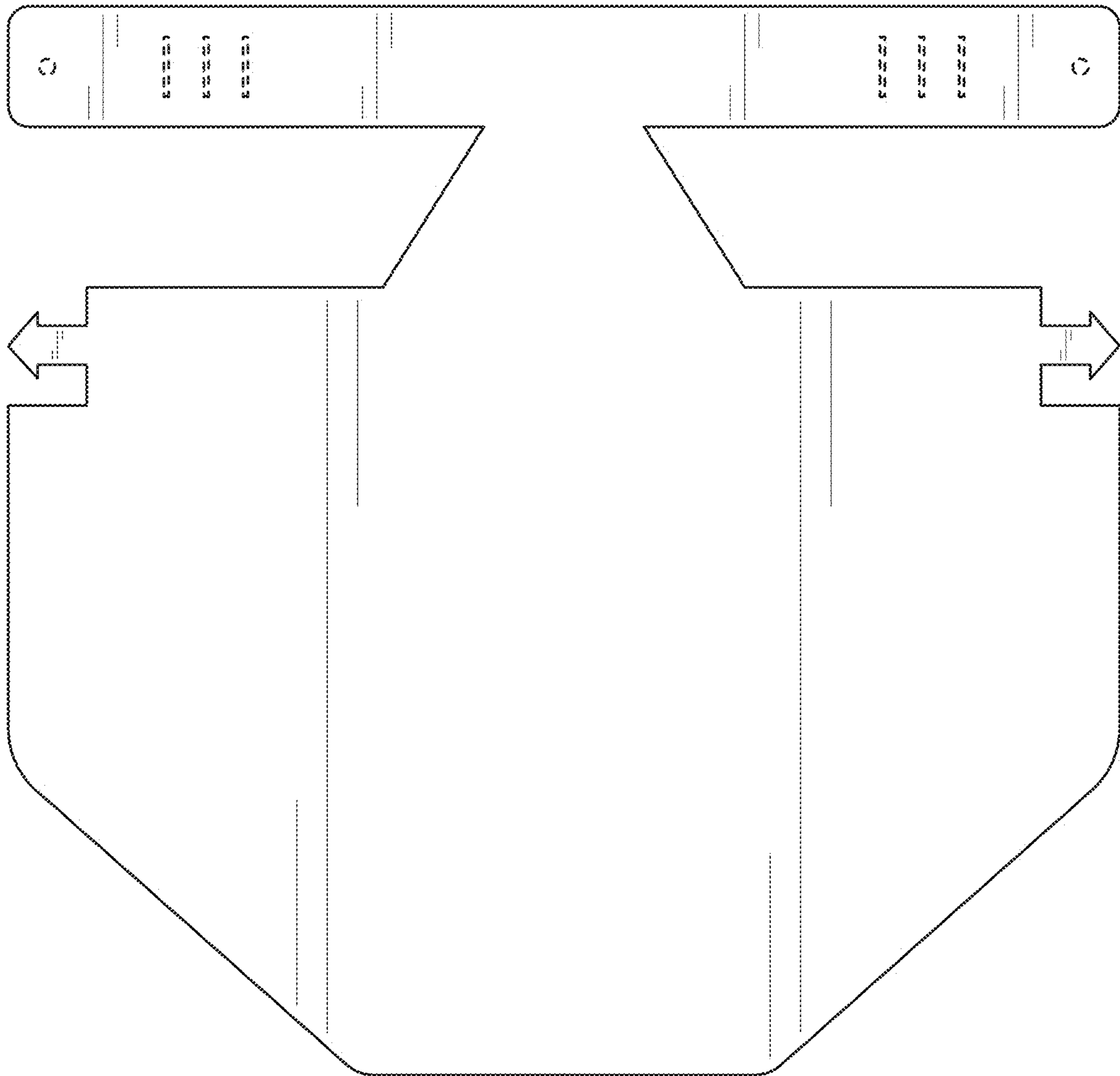


FIG. 2



FIG. 3

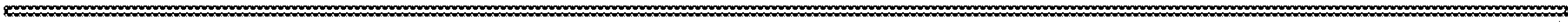


FIG. 4

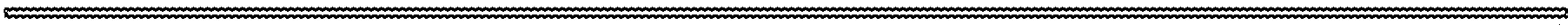


FIG. 5

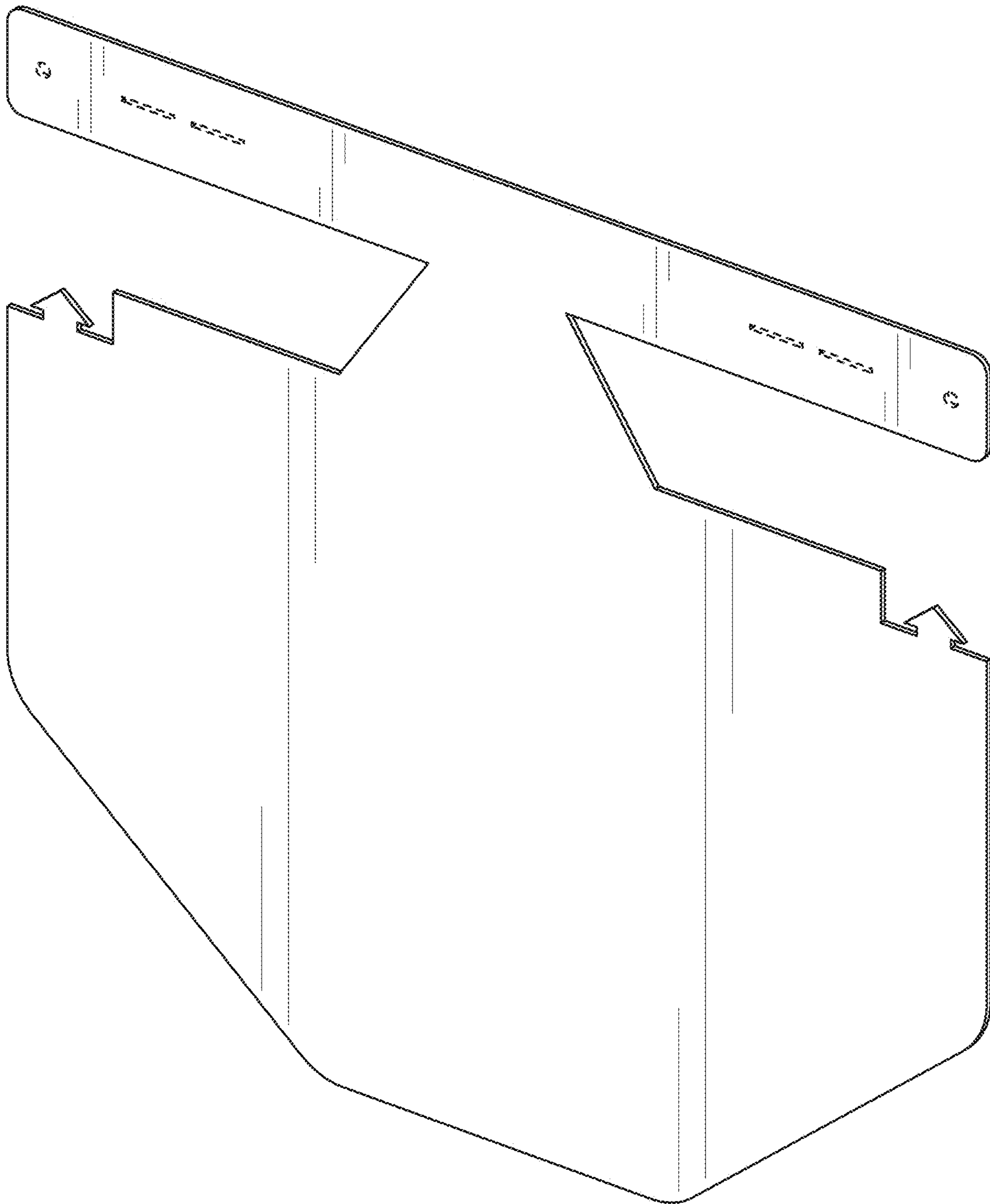


FIG. 6

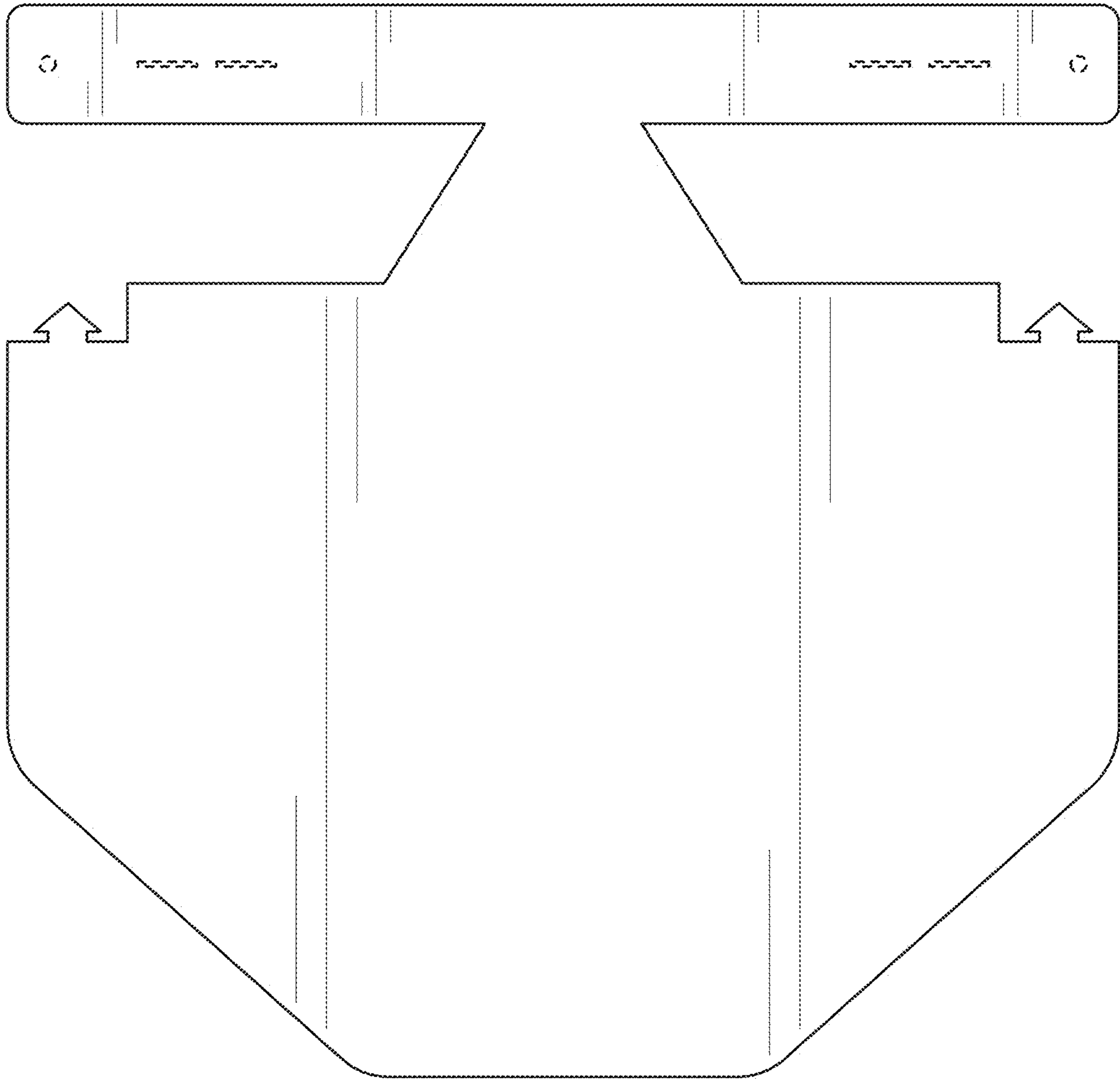


FIG. 7



FIG. 8

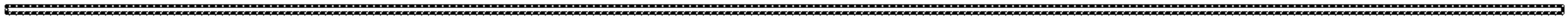


FIG. 9



FIG. 10

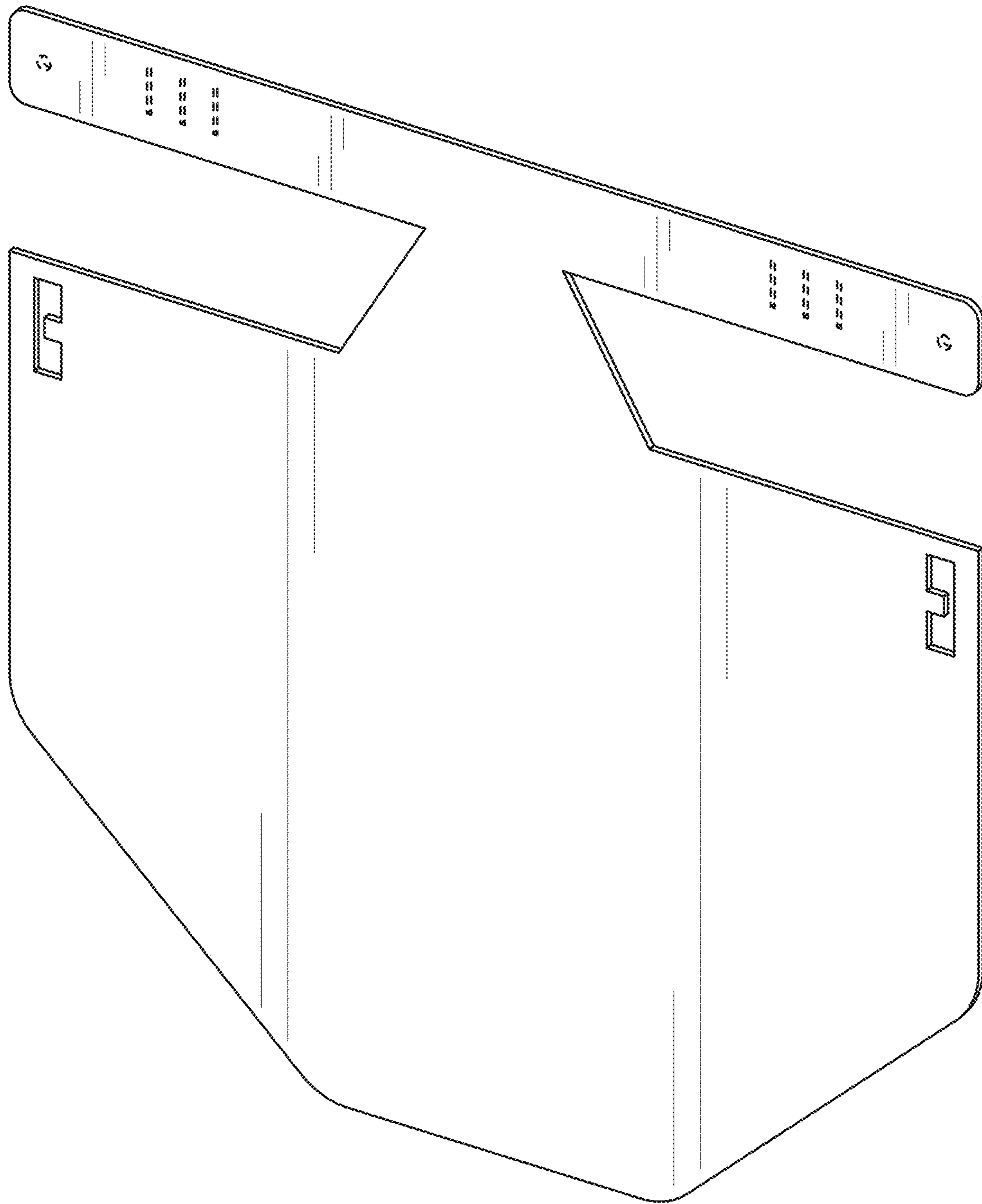


FIG. 11

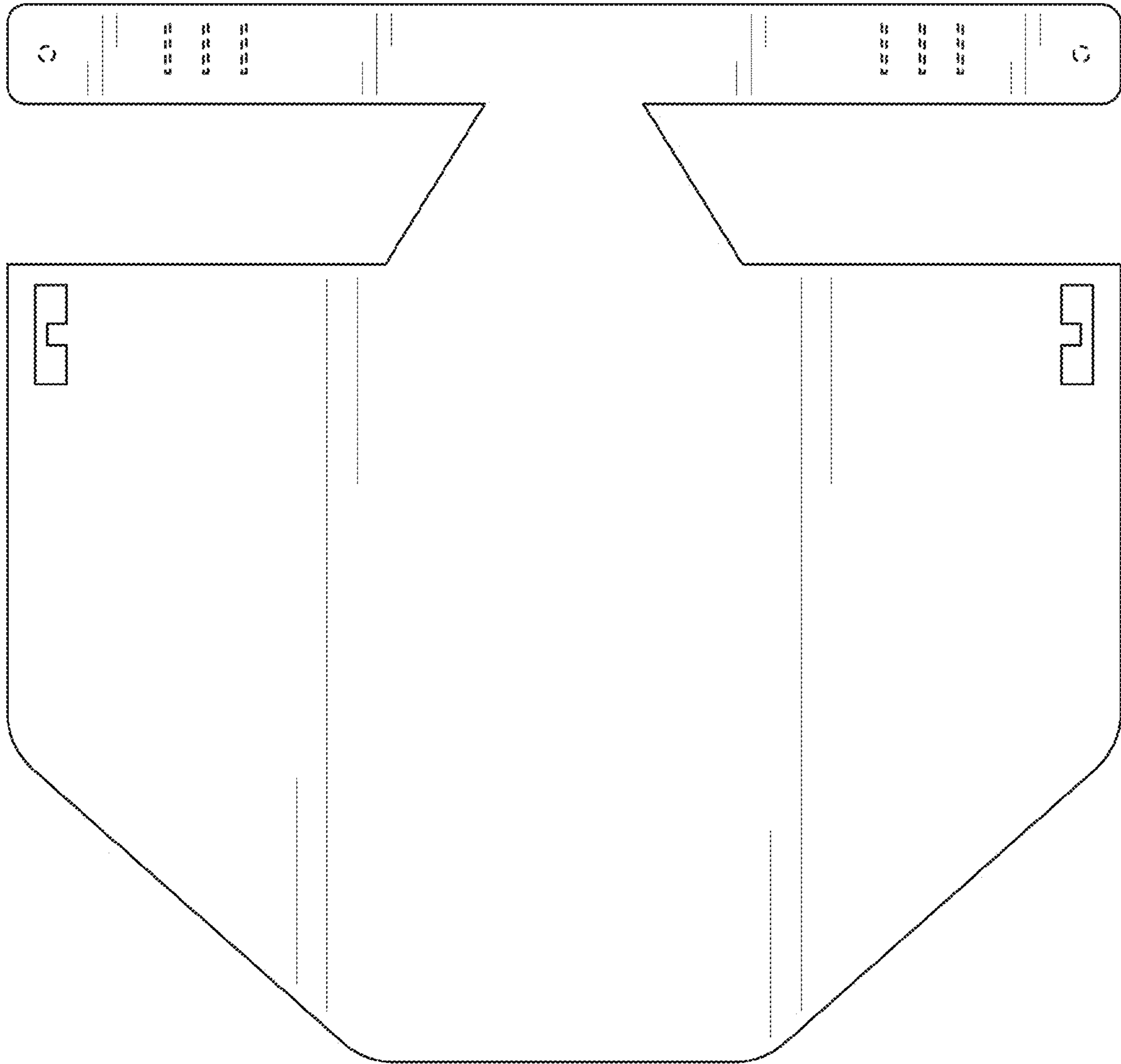


FIG. 12



FIG. 13



FIG. 14



FIG. 15

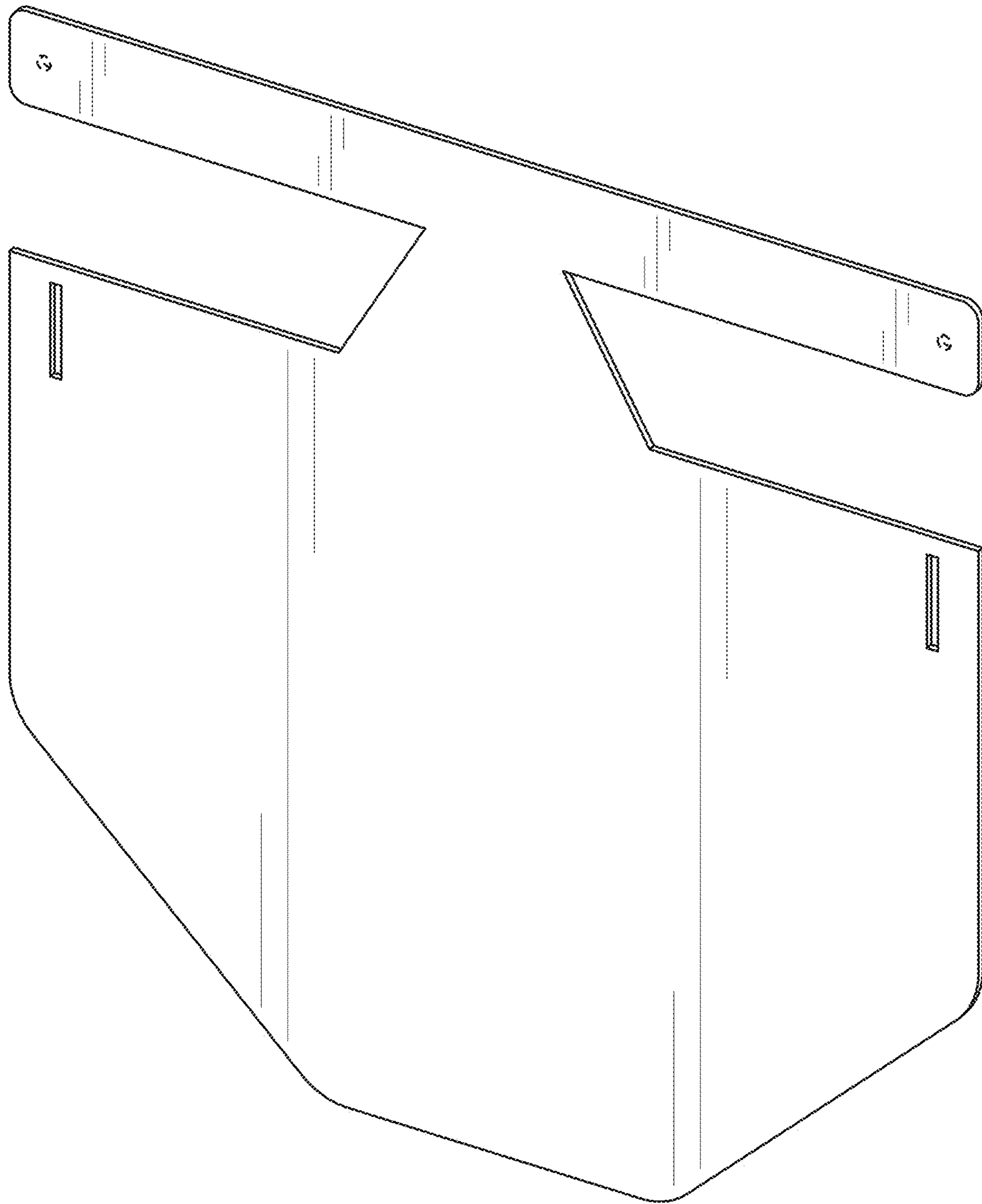


FIG. 16

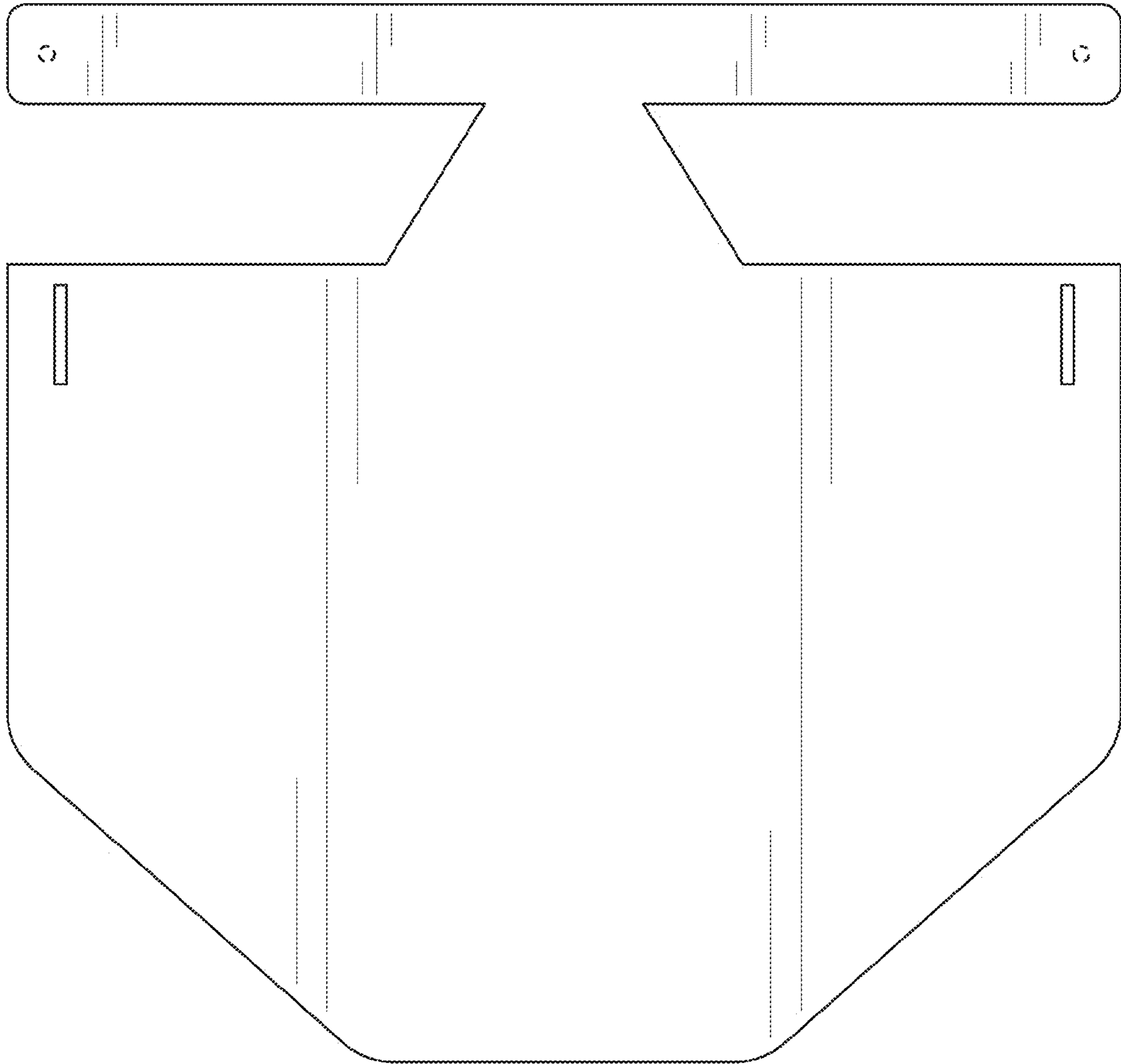


FIG. 17



FIG. 18

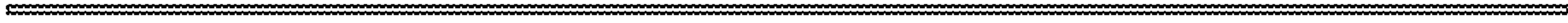


FIG. 19



FIG. 20

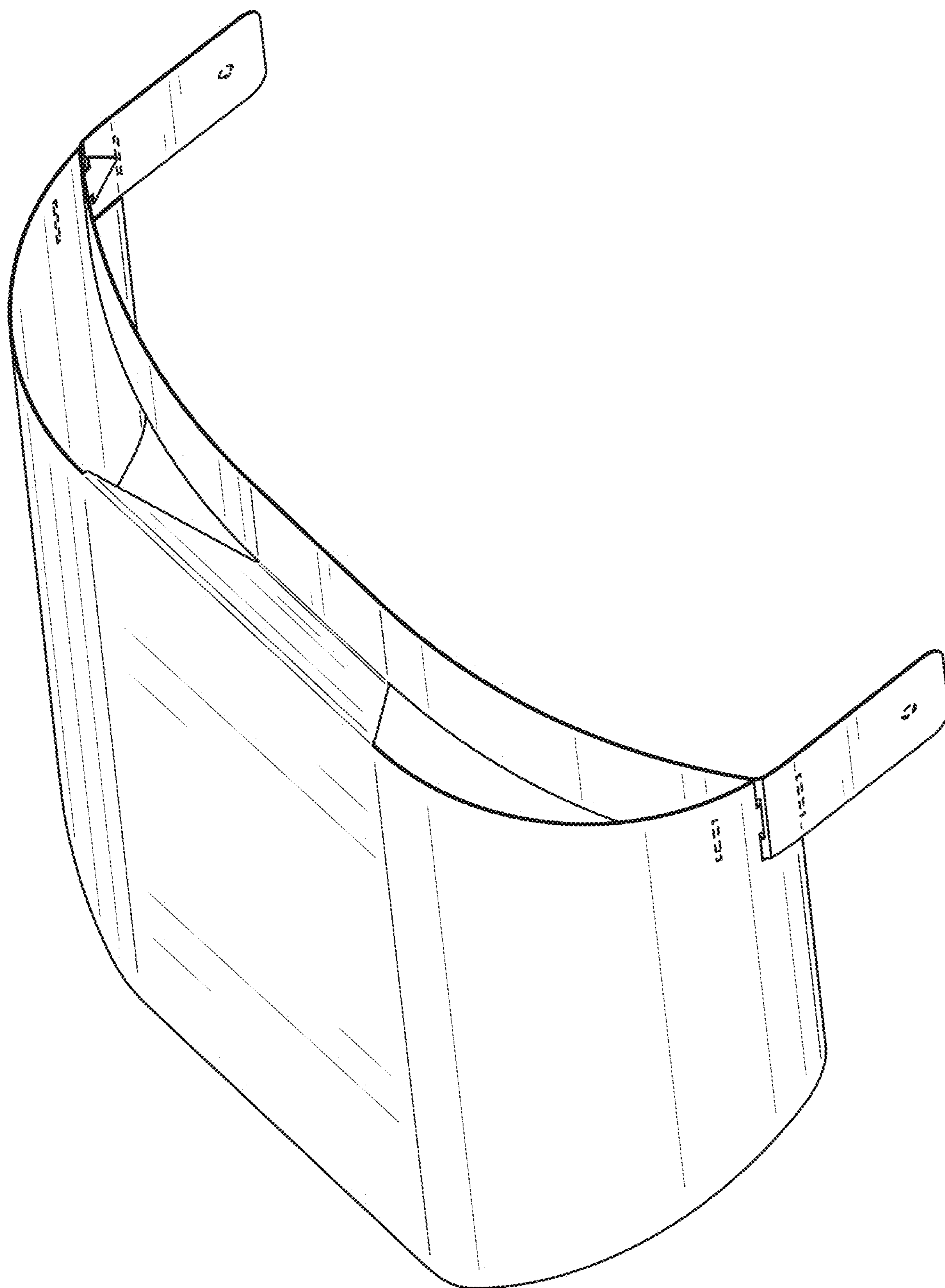


FIG. 21

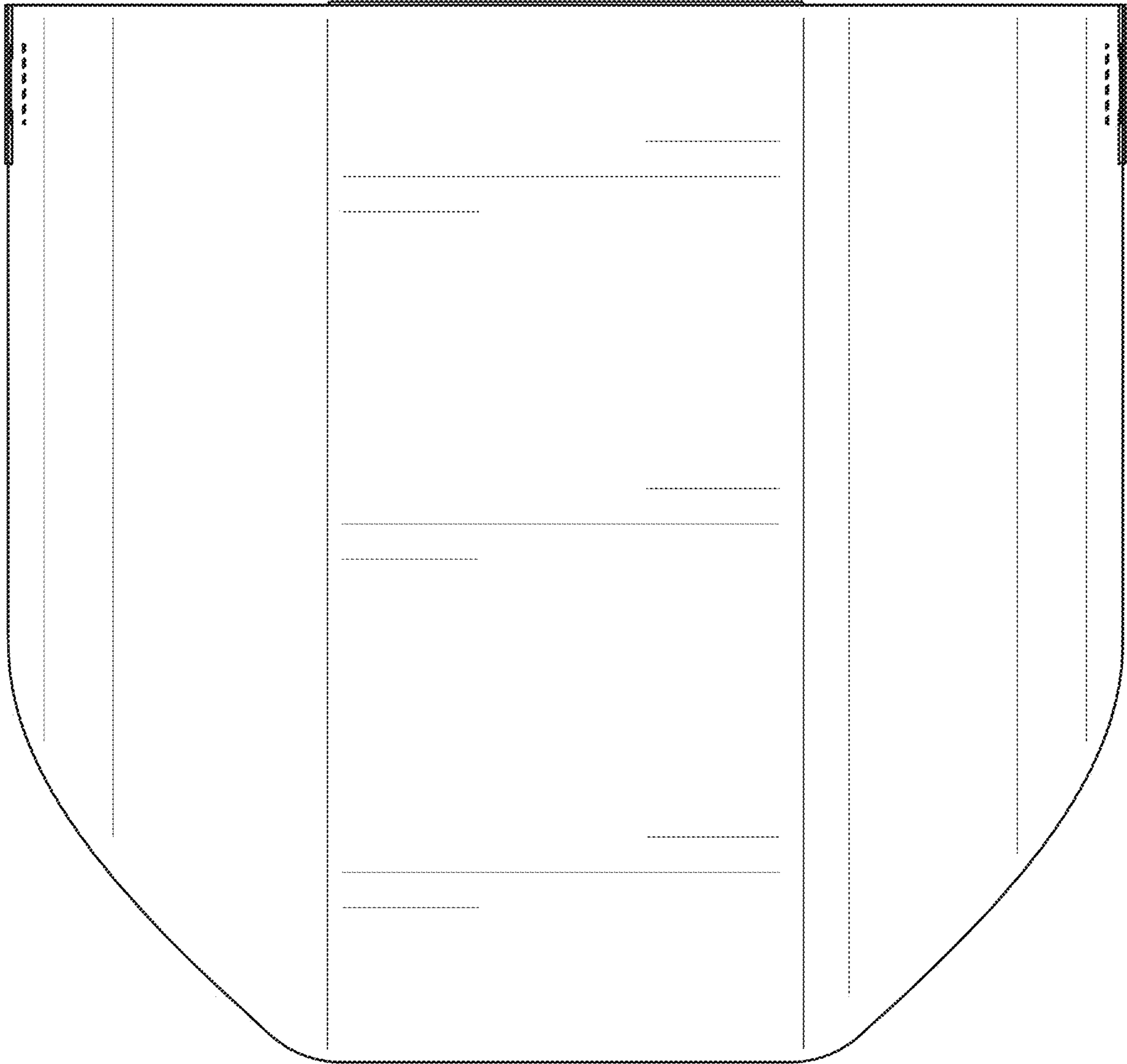


FIG. 22

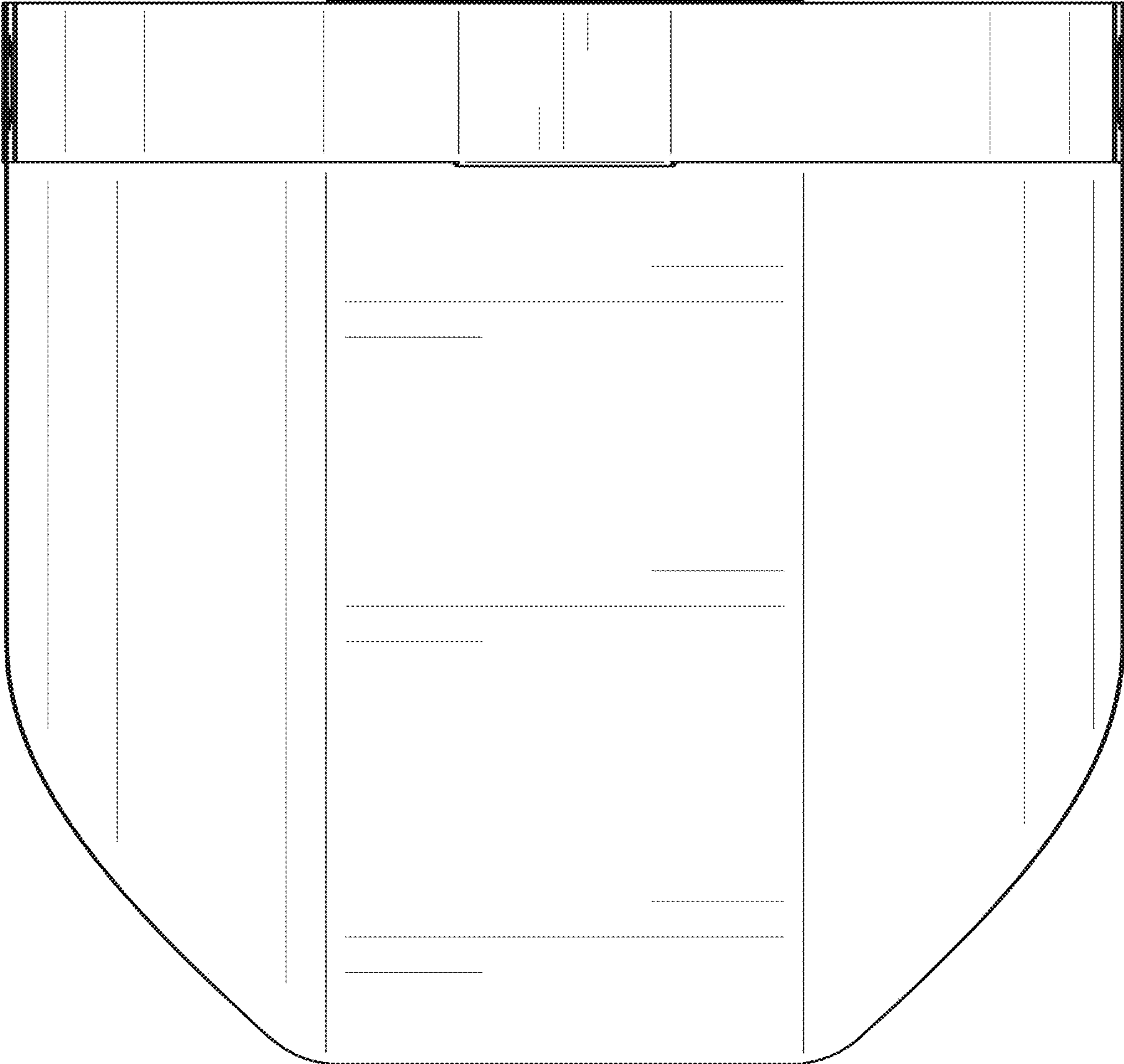


FIG. 23

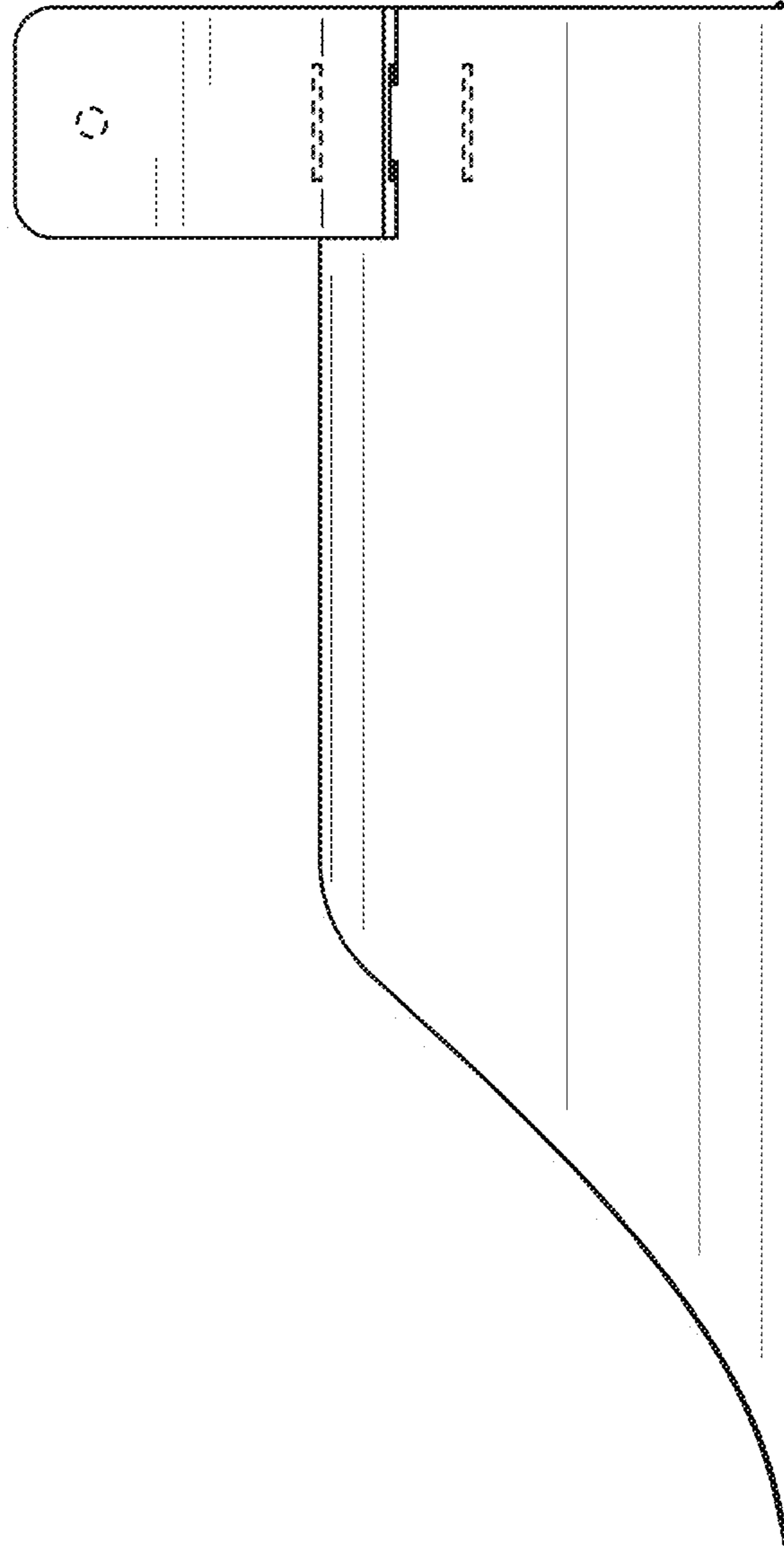


FIG. 24

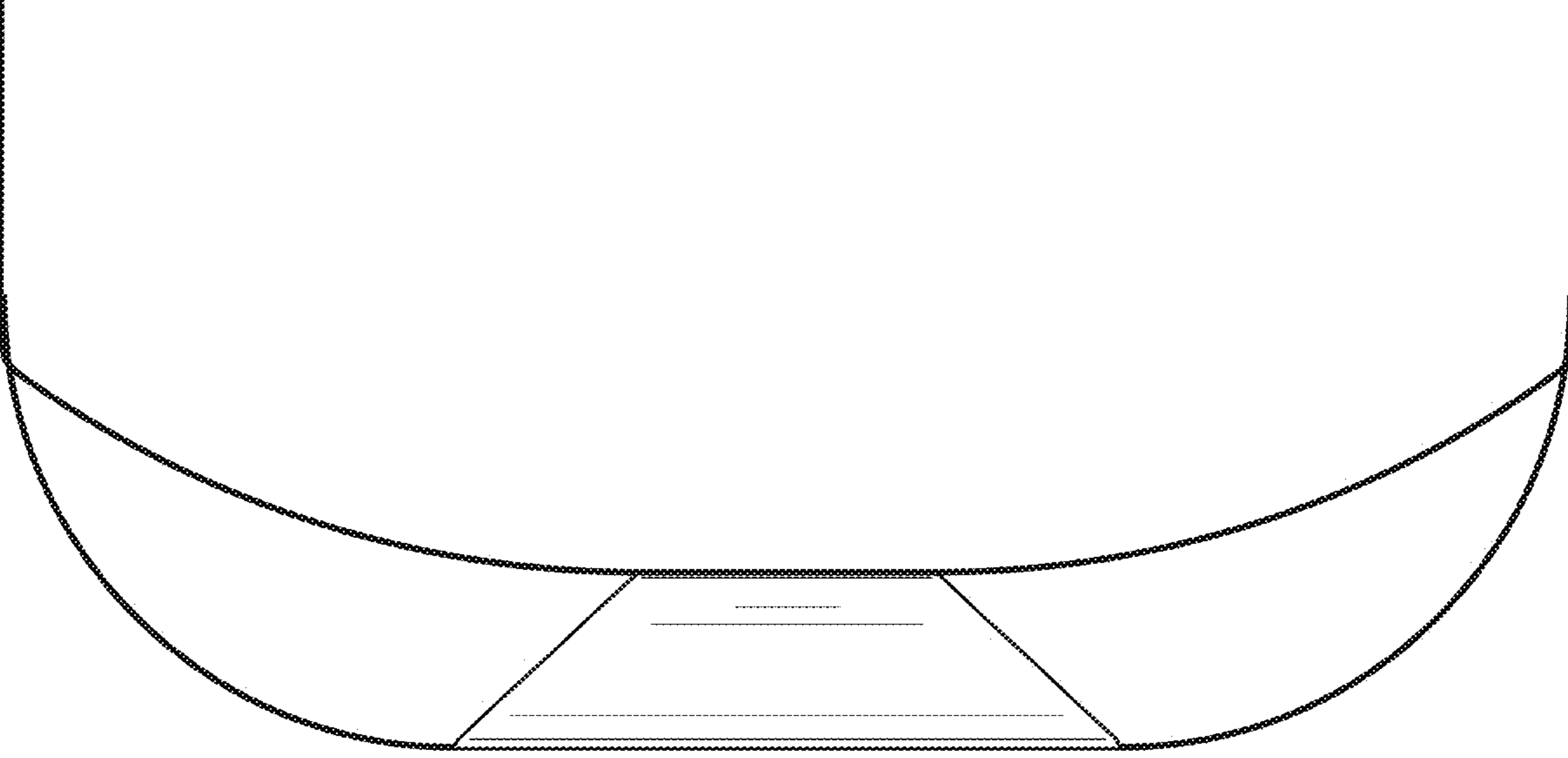


FIG. 25

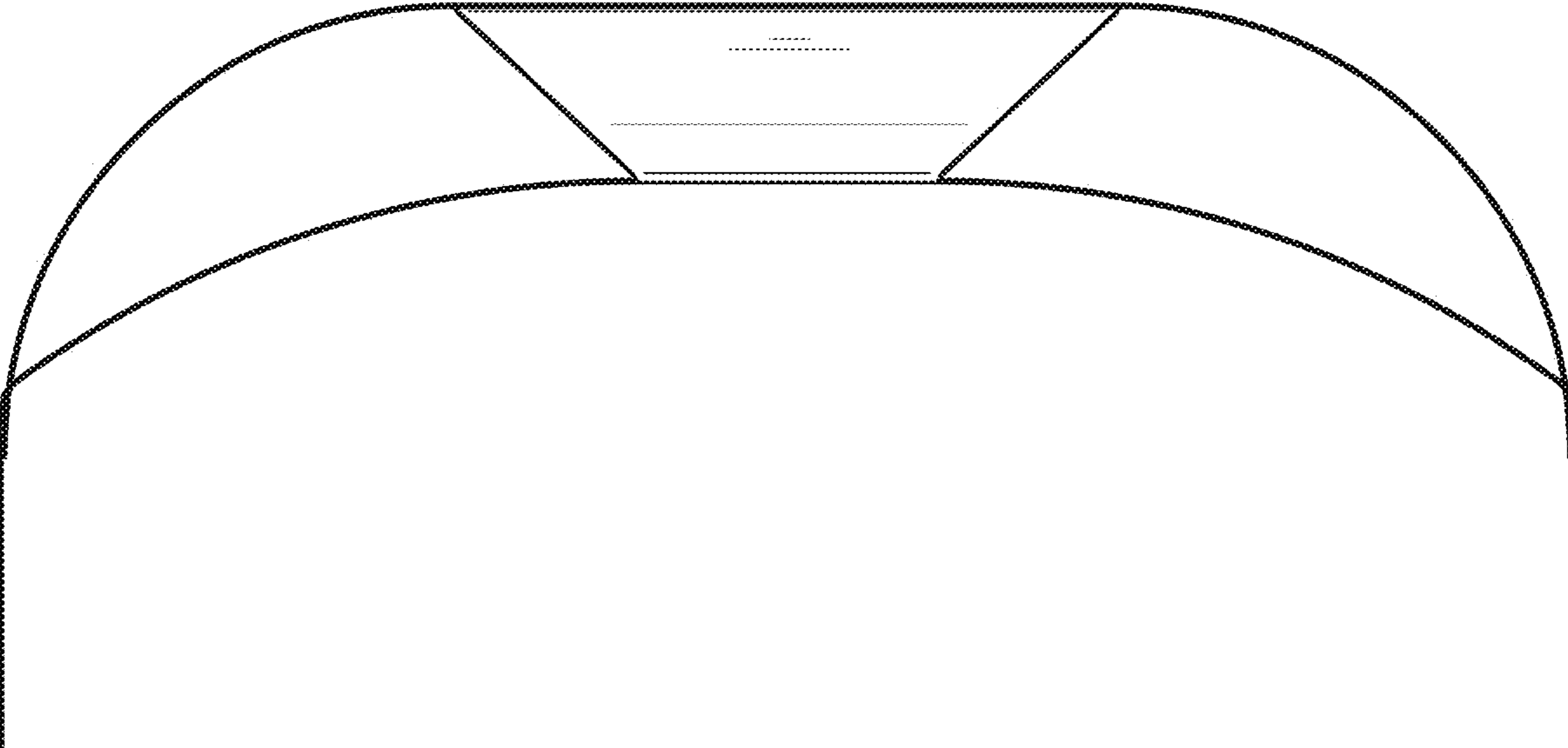


FIG. 26