



US00D910238S

(12) **United States Design Patent** (10) **Patent No.:** **US D910,238 S**
Bittencourt et al. (45) **Date of Patent:** **** Feb. 9, 2021**

(54) **CAP FOR CARTRIDGE OF SAFETY RAZOR**

(71) Applicant: **Super-Max Personal Care Pvt Ltd,**
Thane (IN)

(72) Inventors: **Antonio Carlos Acatauassu**
Bittencourt, Curitiba (BR); **Yogesh**
Humbirrao Mohite, Pune (IN)

(73) Assignee: **Super-Max Personal Care Pvt Ltd,**
Thane (IN)

(**) Term: **15 Years**

(21) Appl. No.: **29/660,980**

(22) Filed: **Aug. 23, 2018**

(30) **Foreign Application Priority Data**

Feb. 24, 2018 (IN) 302899

(51) **LOC (13) Cl.** **28-03**

(52) **U.S. Cl.**
USPC **D28/47**

(58) **Field of Classification Search**
USPC D28/45-48
CPC . B26B 21/40; B26B 21/4006; B26B 21/4012;
B26B 21/4018; B26B 21/4025; B26B
21/4031; B26B 21/4068; B26B 21/4075;
B26B 21/4081; B26B 21/4087; B26B
21/442; B26B 21/54-60
See application file for complete search history.

(56) **References Cited**

U.S. PATENT DOCUMENTS

5,794,343 A * 8/1998 Lee B26B 21/4012
30/50
D501,954 S * 2/2005 Kite D28/47

D514,253 S * 1/2006 Gray D28/47
D588,744 S * 3/2009 Fischer D28/47
D635,717 S * 4/2011 Furtek D28/47
D641,928 S * 7/2011 Psimadas D28/46
D866,069 S * 11/2019 Long D28/47
10,500,745 B2 * 12/2019 Davos B26B 21/4031
2003/0217470 A1 * 11/2003 Follo B26B 21/4018
30/81
2007/0163123 A1 * 7/2007 Gratsias B26B 21/14
30/50
2008/0229583 A1 * 9/2008 Fischer B26B 21/4018
30/34.2
2012/0192431 A9 * 8/2012 Wain B26B 21/4031
30/50
2014/0331500 A1 * 11/2014 Ren B26B 21/34
30/41
2017/0043491 A1 * 2/2017 Griffin B26B 21/4018
2017/0341247 A1 * 11/2017 Zafiroopoulos B26B 21/222
2019/0202076 A1 * 7/2019 Park B26B 21/225

* cited by examiner

Primary Examiner — Jennifer Rivard

(74) *Attorney, Agent, or Firm* — Dave Law Group LLC;
Raj S. Dave

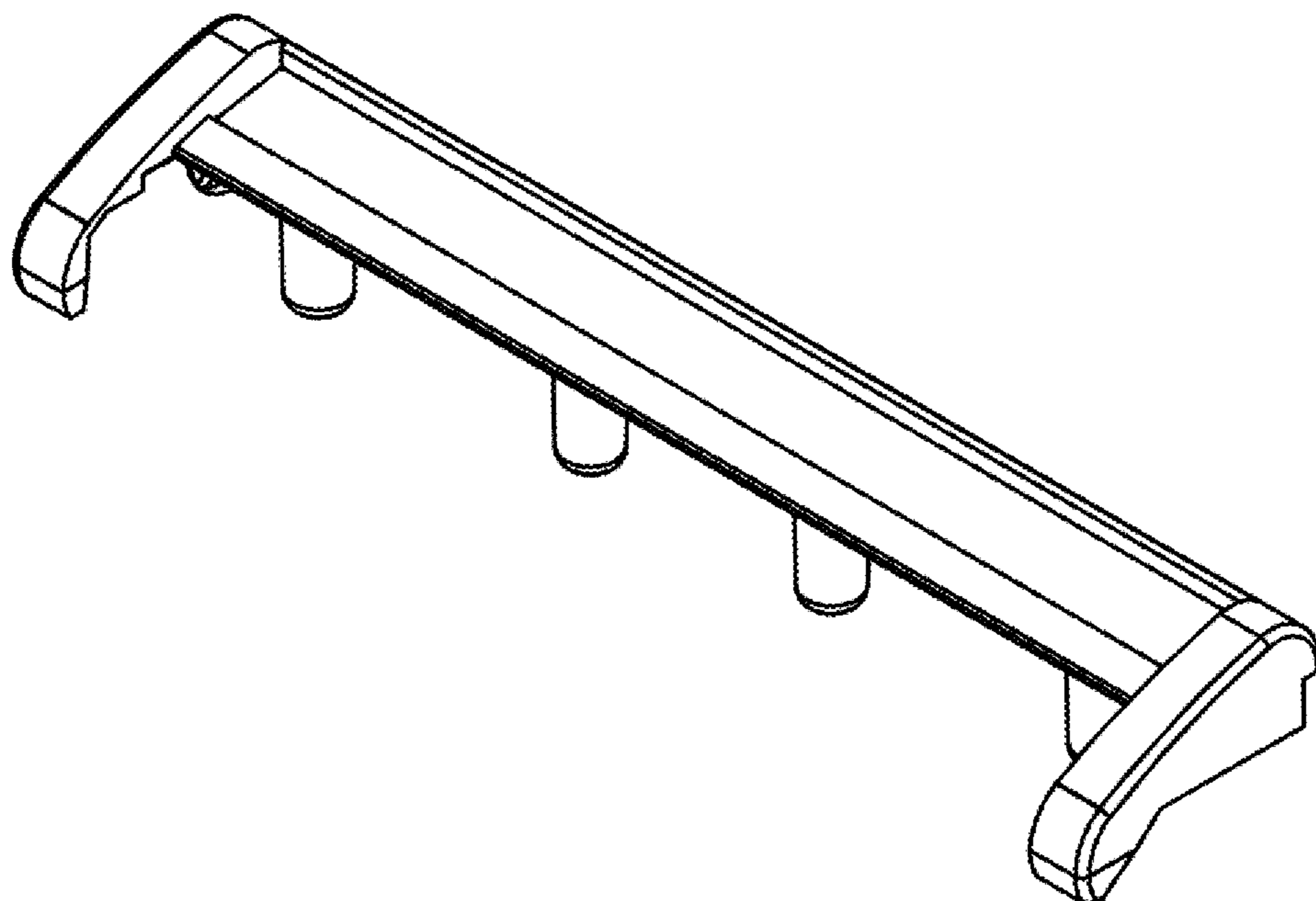
(57) **CLAIM**

The ornamental design for a cap for cartridge of a safety razor, as shown and described.

DESCRIPTION

FIG. 1 is a bottom plan view of a cap of cartridge of safety razor, showing our new design;
FIG. 2 is a front isometric view of a cap of a cartridge of safety razor;
FIG. 3 is a left side elevation view thereof;
FIG. 4 is a top plan view thereof; and,
FIG. 5 is a front elevation view thereof.

1 Claim, 5 Drawing Sheets



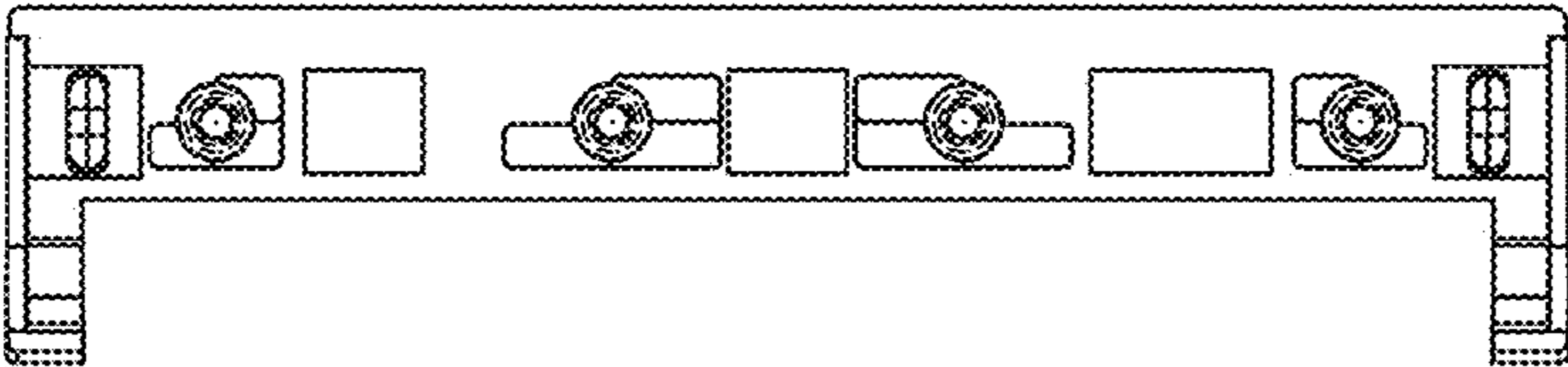


Fig. 1

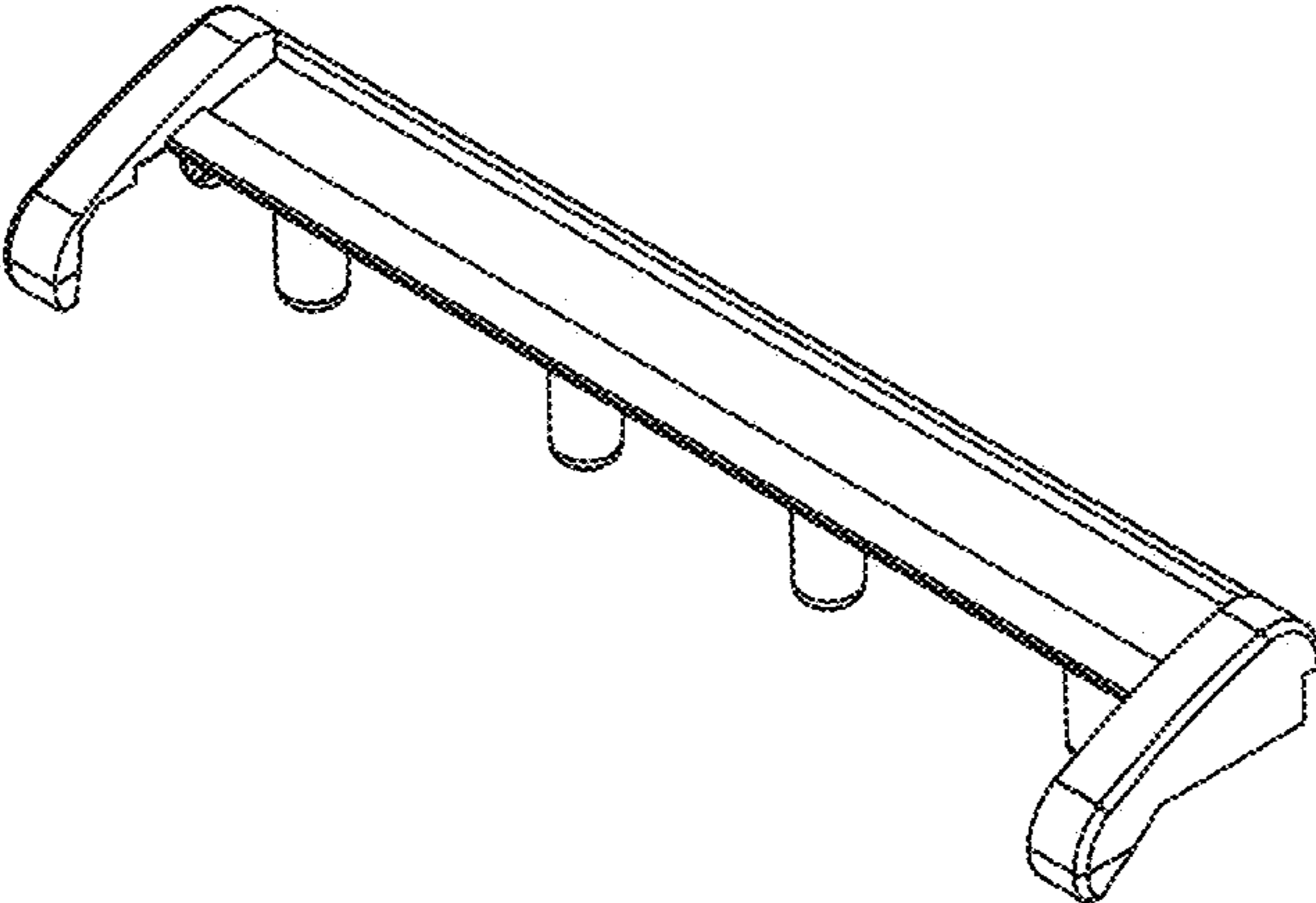


Fig. 2

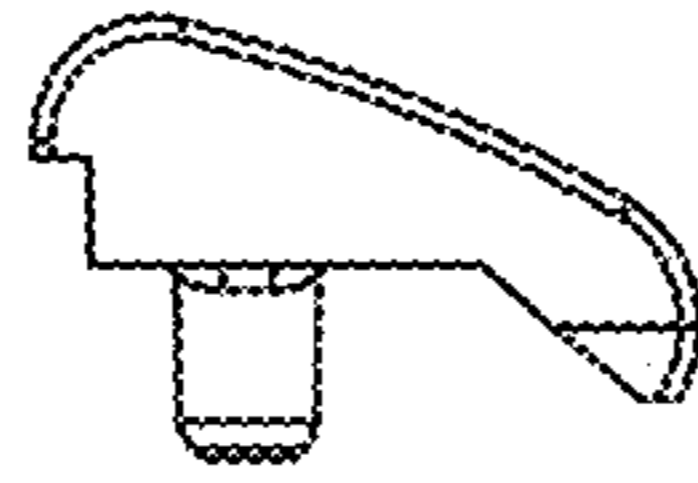


Fig. 3

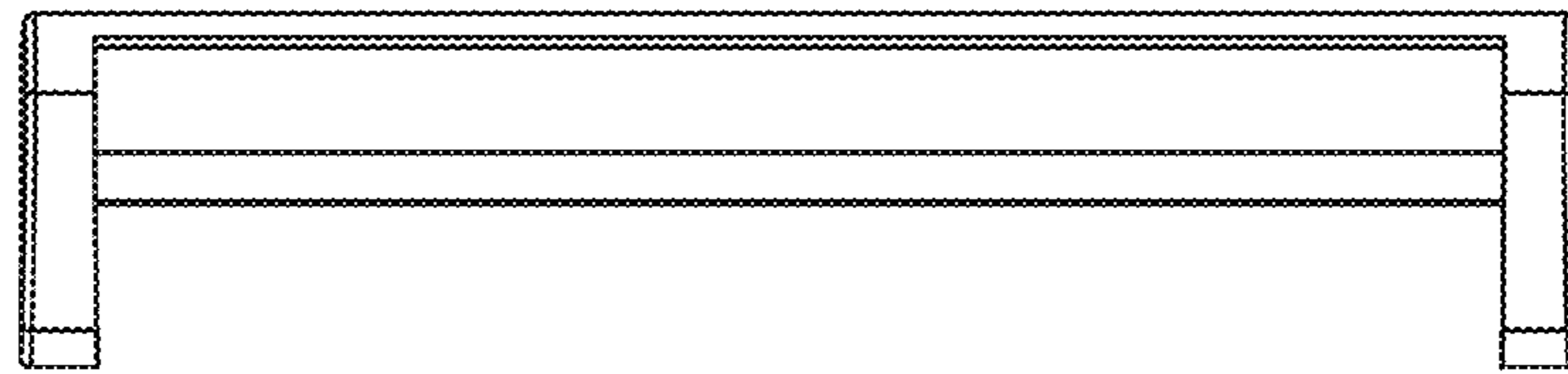


Fig. 4

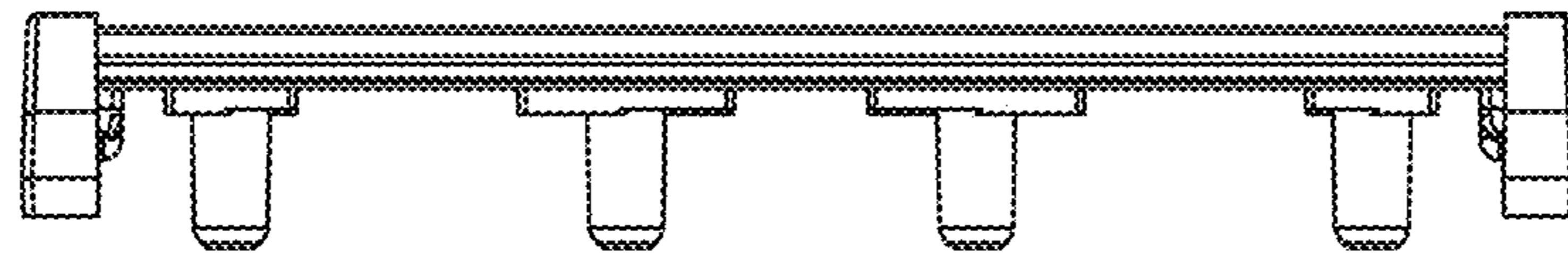


Fig. 5