



US00D910237S

(12) **United States Design Patent** (10) **Patent No.:** **US D910,237 S**  
**Russo** (45) **Date of Patent:** **\*\* Feb. 9, 2021**

(54) **FLAT IRON**

(71) Applicant: **Eurasia Concepts, Inc.**, Commack, NY (US)

(72) Inventor: **Melissa Russo**, Commack, NY (US)

(73) Assignee: **Eurasia Concepts, Inc.**, Commack, NY (US)

(\*\*) Term: **15 Years**

(21) Appl. No.: **29/720,613**

(22) Filed: **Jan. 14, 2020**

(51) **LOC (13) Cl.** ..... **28-03**

(52) **U.S. Cl.**  
USPC ..... **D28/35**

(58) **Field of Classification Search**  
USPC ..... D28/10, 35, 37, 38  
CPC ..... A45D 2/00; A45D 2001/045; A45D 1/16;  
A45D 1/04; A45D 1/18; A45D 1/06-14;  
A45D 2/02-10; A45D 2/38-42; A45D  
2/001-002  
See application file for complete search history.

(56) **References Cited**

**U.S. PATENT DOCUMENTS**

D480,176 S *	9/2003	Ouellette	.....	D28/35
D570,043 S *	5/2008	Leung	.....	D28/35
D581,591 S *	11/2008	Hein	.....	D28/35
D596,793 S *	7/2009	Kwok	.....	D28/35
D596,794 S *	7/2009	Keong	.....	D28/35
D596,795 S *	7/2009	Keong	.....	D28/35
D627,925 S *	11/2010	Nenadich	.....	D28/35
D649,288 S *	11/2011	Koehler	.....	D28/35
D674,541 S *	1/2013	Kim	.....	D28/35

(Continued)

**FOREIGN PATENT DOCUMENTS**

CN	305881045	*	11/2019
WO	D210502-001	*	7/2020
WO	D210502-002	*	7/2020

**OTHER PUBLICATIONS**

Onepass® Styling Iron [online], [site visited Nov. 3, 2020]. Available from internet, URL:<<https://www.bioionic.com/onepass-r-styling-iron>> (Year: 2020).\*

*Primary Examiner* — Cynthia Ramirez

*Assistant Examiner* — Xavier Marti-Santos

(74) *Attorney, Agent, or Firm* — Gloria Tsui-Yip; Gottlieb, Rackman & Reisman, P.C.

(57) **CLAIM**

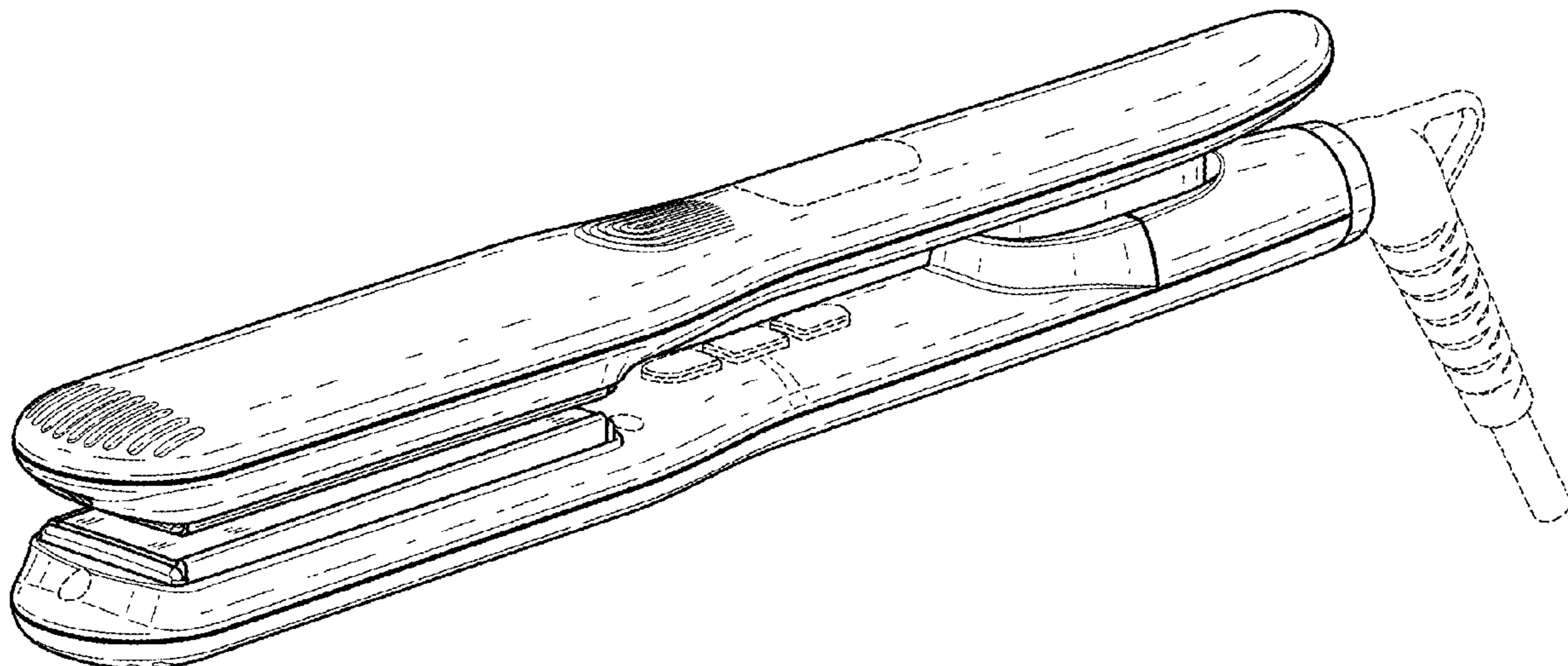
The ornamental design for a flat iron, as shown and described.

**DESCRIPTION**

FIG. 1 is a perspective view of a flat iron showing my new design;  
FIG. 2 is a left side elevational view thereof;  
FIG. 3 is a top plan view thereof;  
FIG. 4 is a right side elevational view thereof;  
FIG. 5 is a bottom plan view thereof;  
FIG. 6 is a front elevational view thereof;  
FIG. 7 is a rear elevational view thereof;  
FIG. 8 is another perspective view thereof with the flat iron in an open position;  
FIG. 9 is a perspective view of a second embodiment of the flat iron showing my new design;  
FIG. 10 is a left side elevational view thereof;  
FIG. 11 is a top plan view thereof;  
FIG. 12 is a right side elevational view thereof;  
FIG. 13 is a bottom plan view thereof;  
FIG. 14 is a front elevational view thereof;  
FIG. 15 is a rear elevational view thereof; and,  
FIG. 16 is another perspective view thereof with the flat iron in an open position.

The broken lines in the drawings illustrate portions of the flat iron, which form no part of the claimed design.

**1 Claim, 10 Drawing Sheets**



(56)

**References Cited**

U.S. PATENT DOCUMENTS

D716,497 S	*	10/2014	Renault	.....	D28/35
D867,659 S	*	11/2019	Zhou	.....	D28/35
D874,724 S	*	2/2020	Deffrennes	.....	D28/35
D886,373 S	*	6/2020	Chen	.....	D28/35

\* cited by examiner

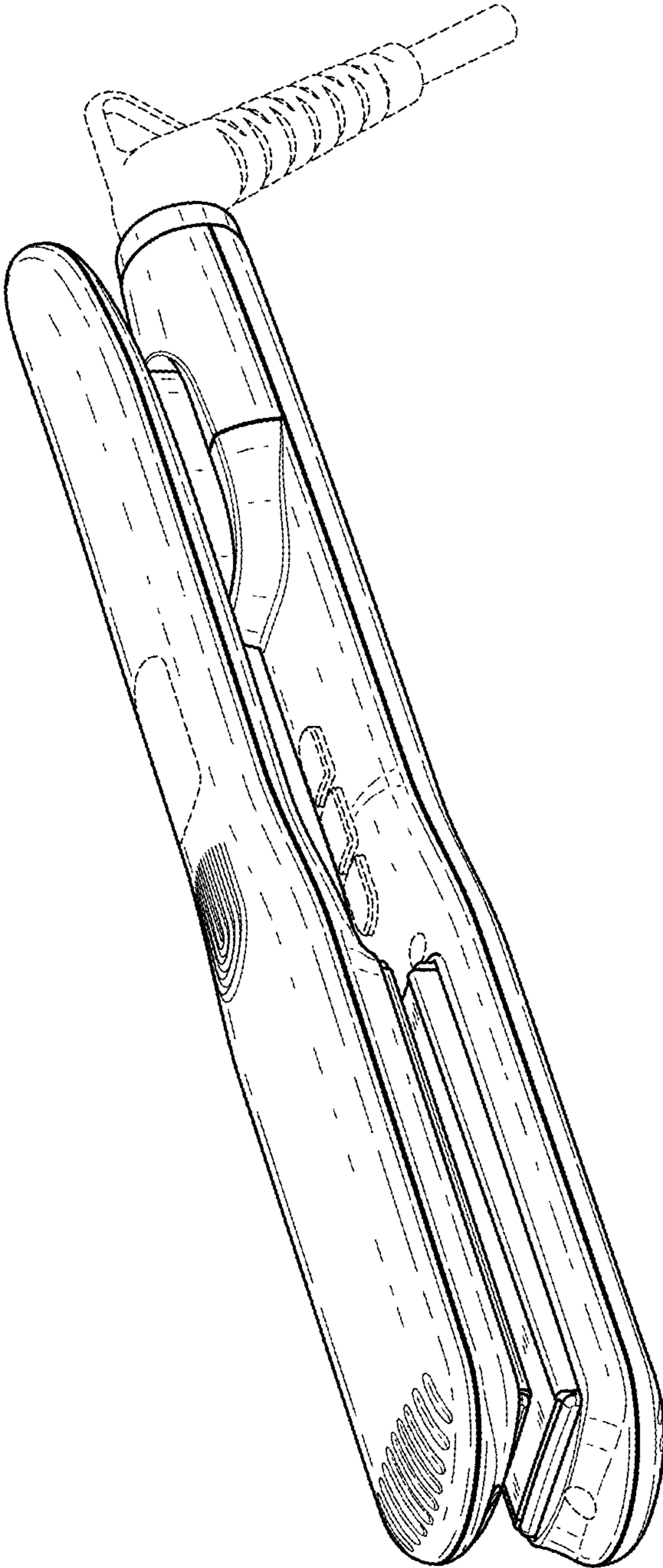


FIG.1

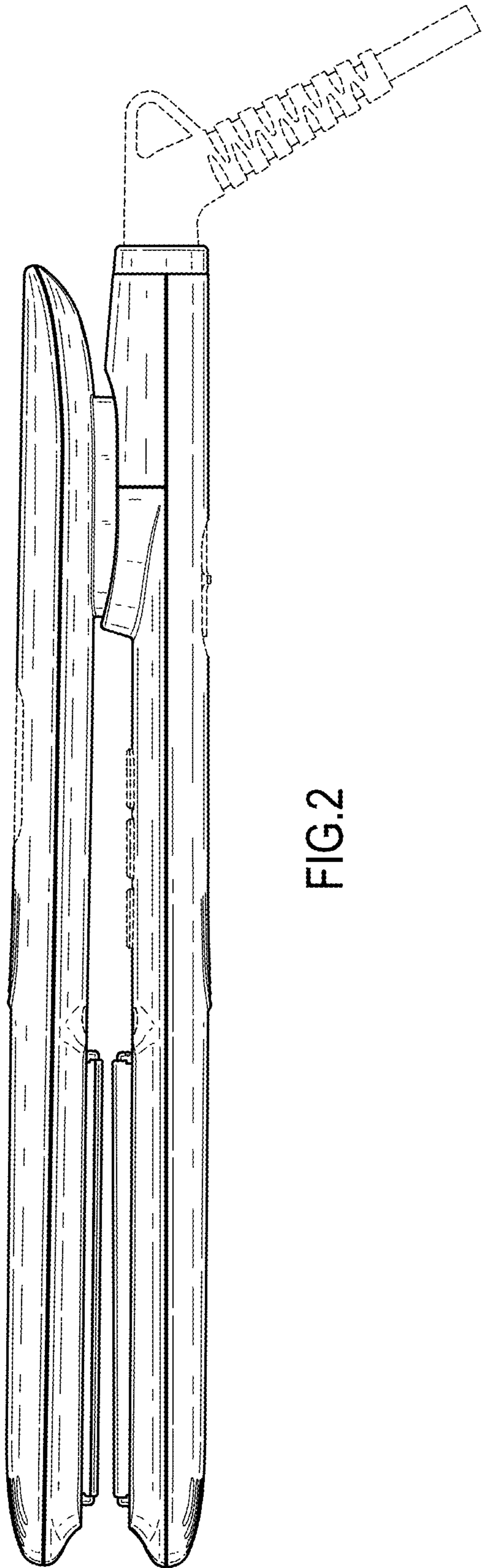


FIG. 2

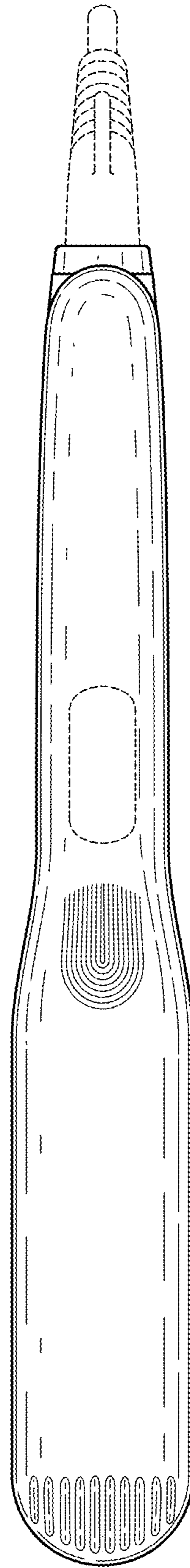


FIG. 3

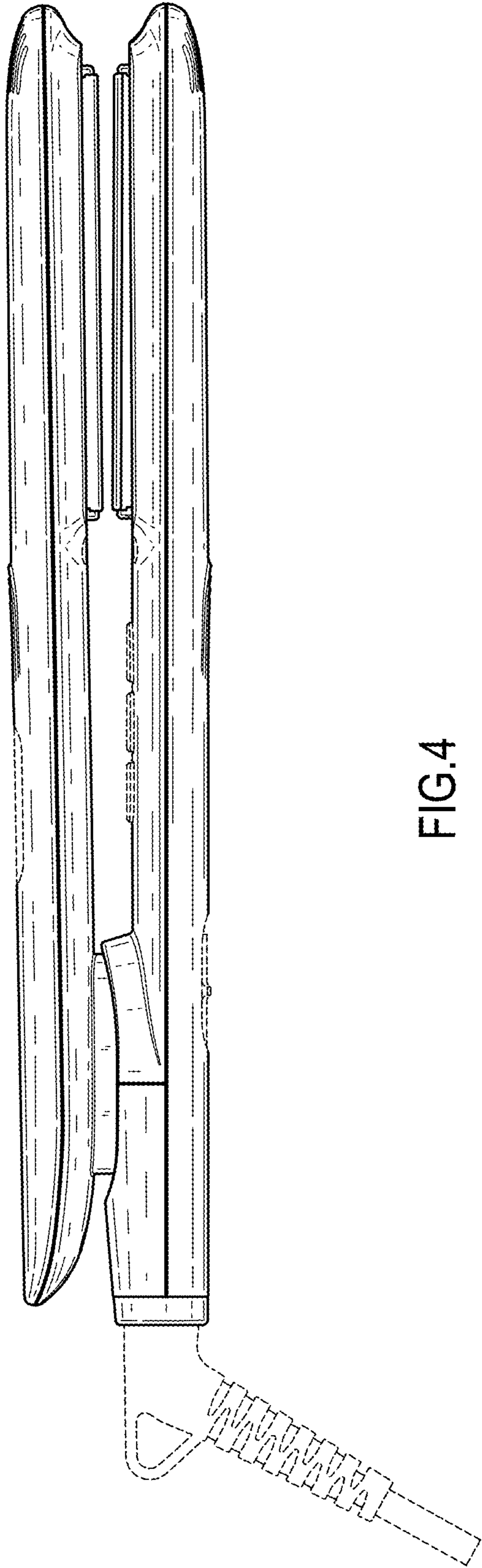


FIG. 4

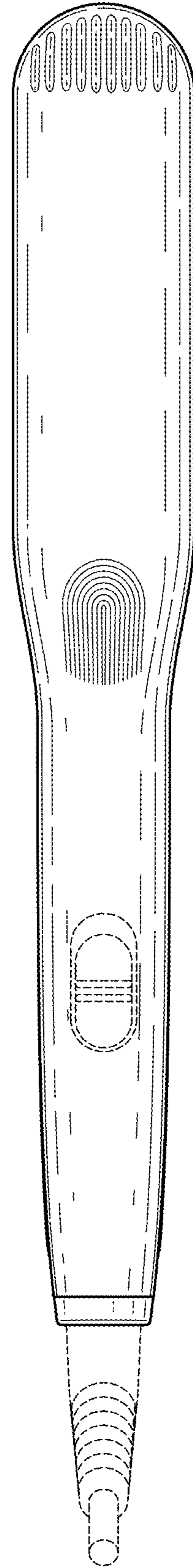


FIG. 5

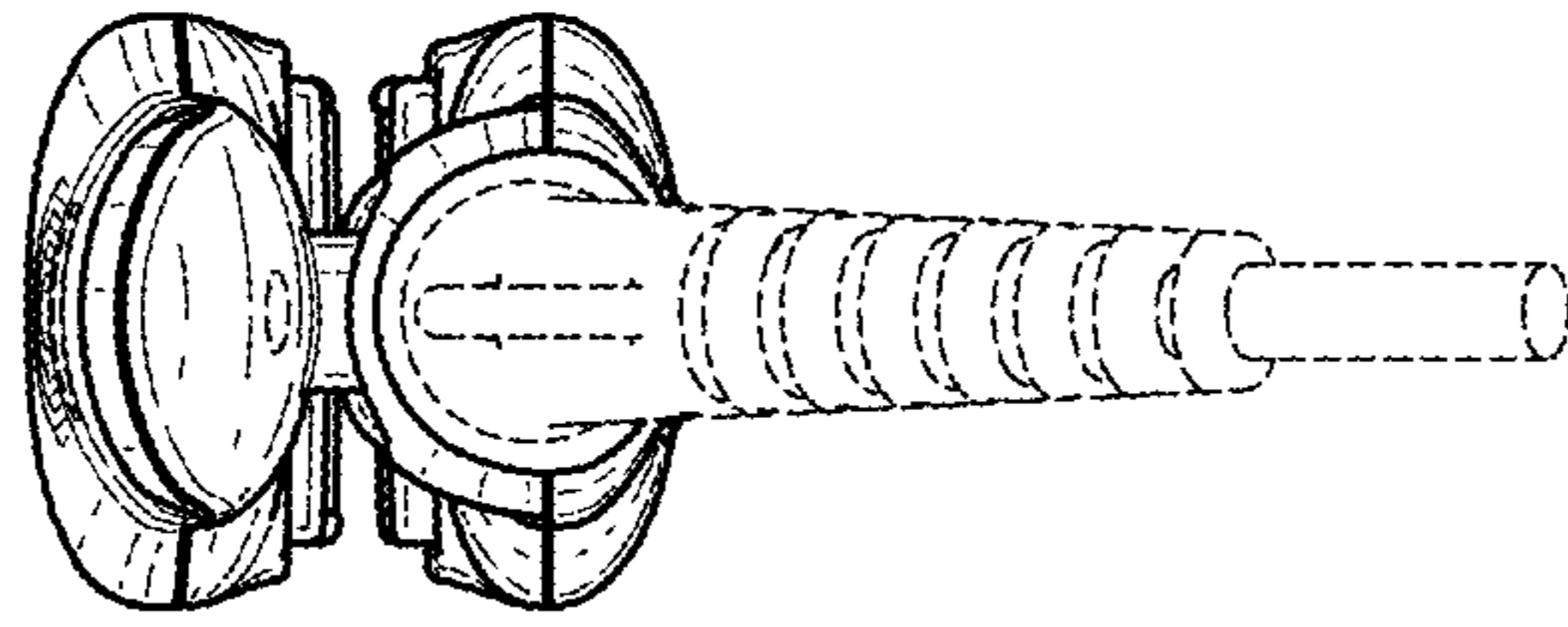


FIG. 6

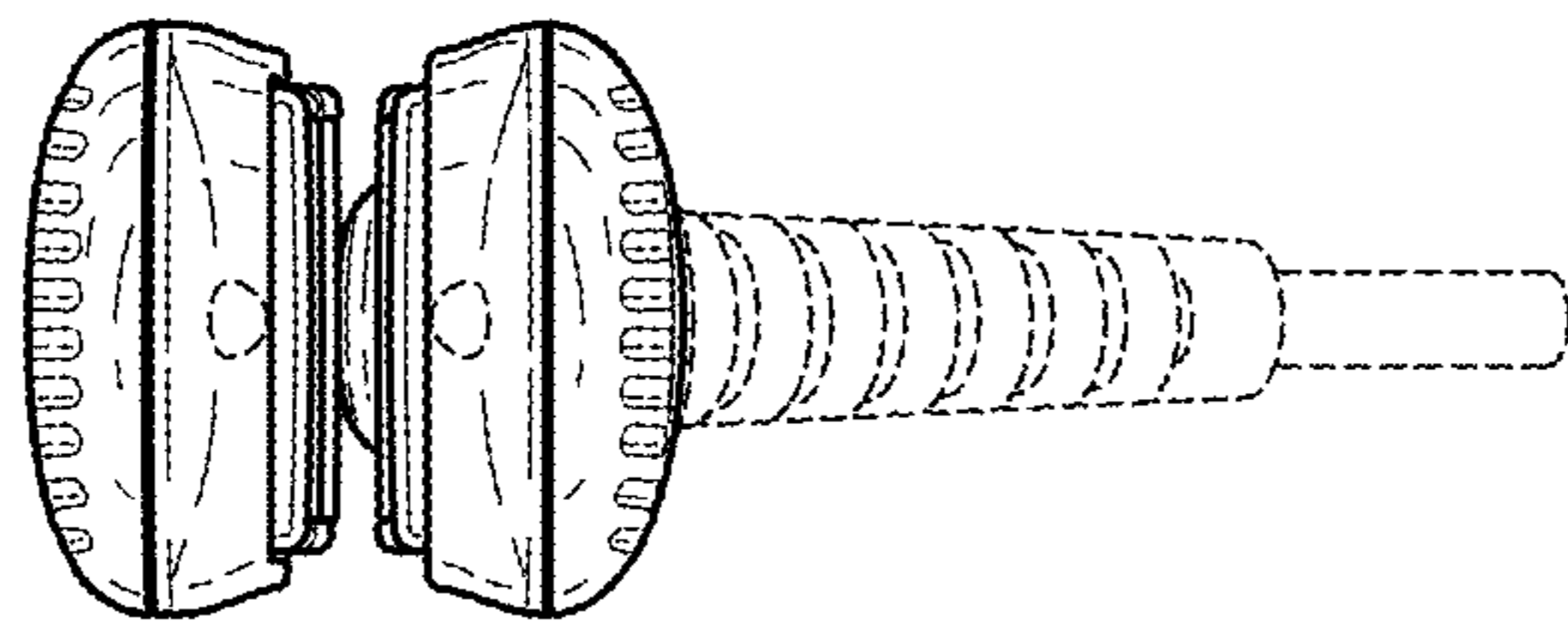


FIG. 7

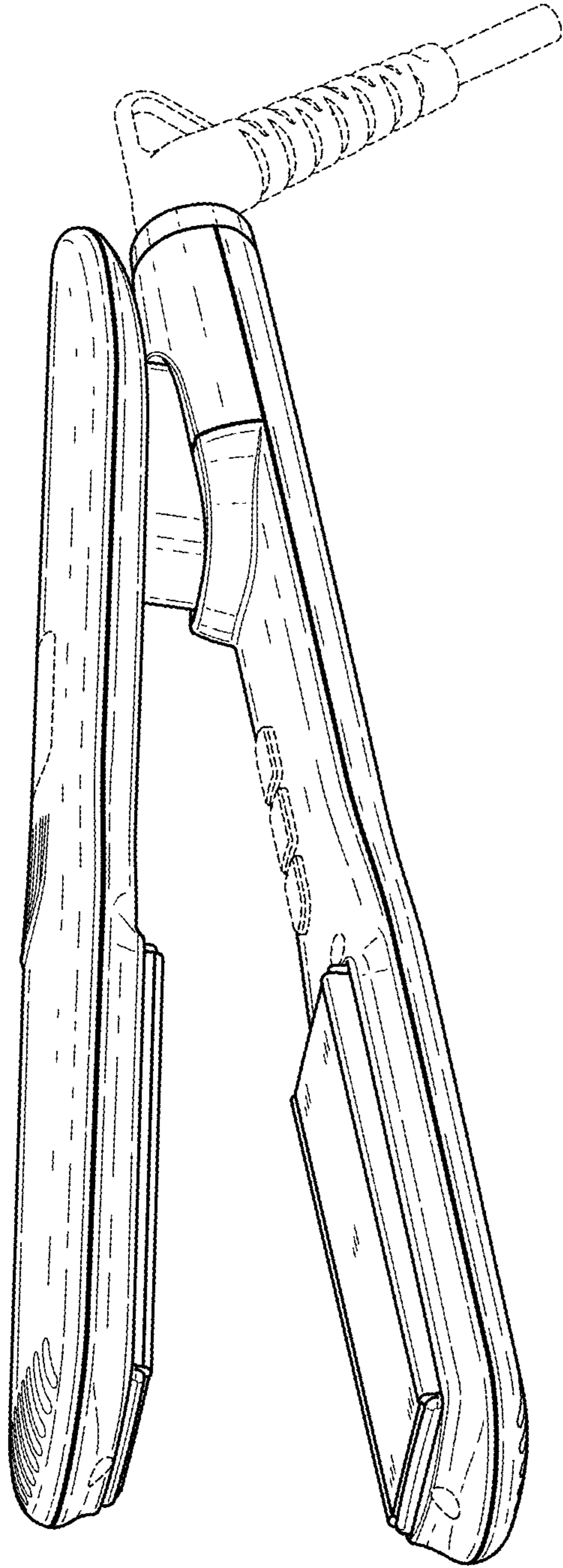


FIG.8

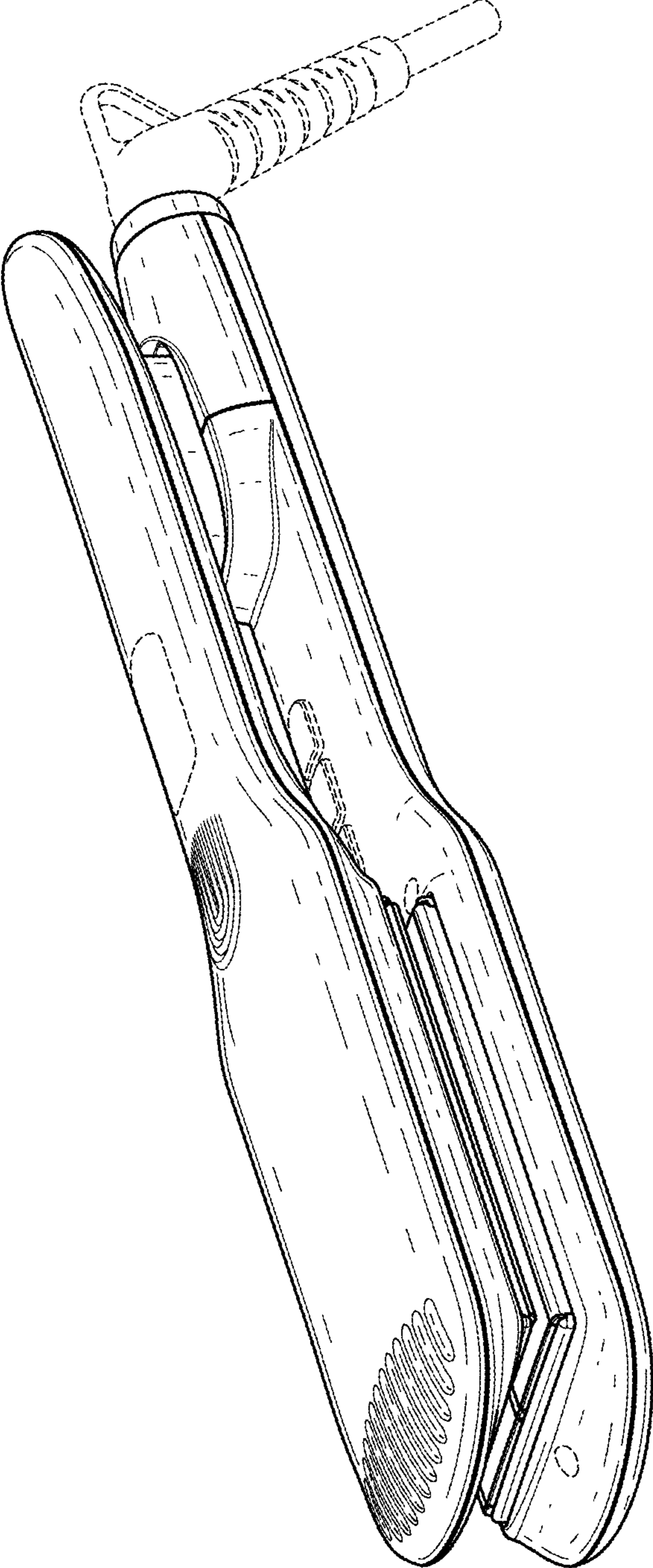


FIG.9



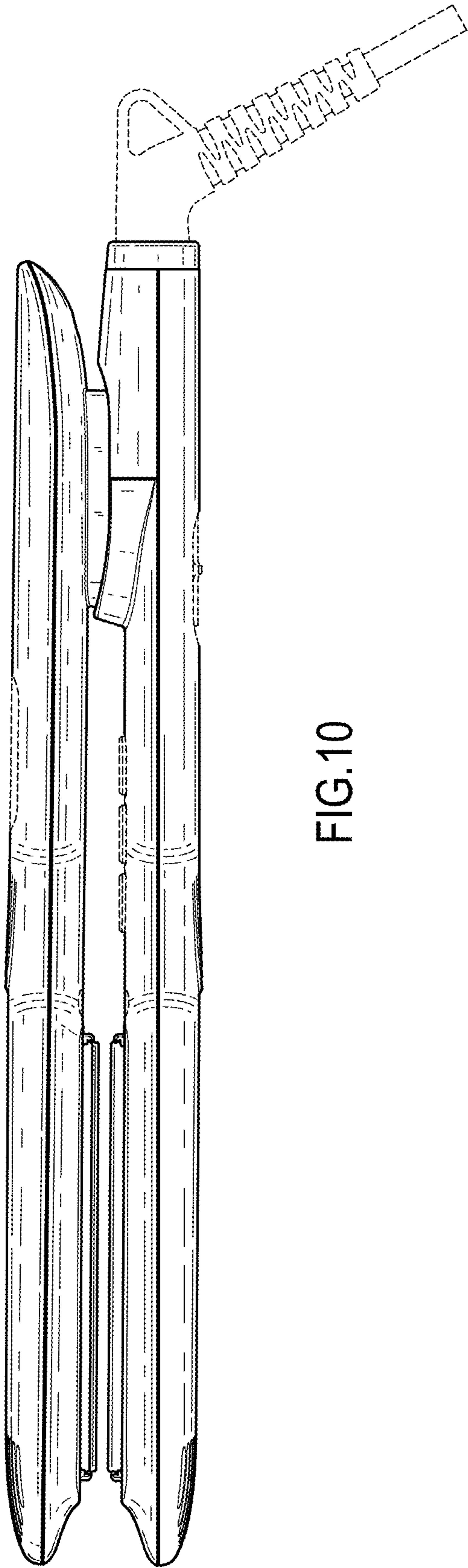


FIG.10

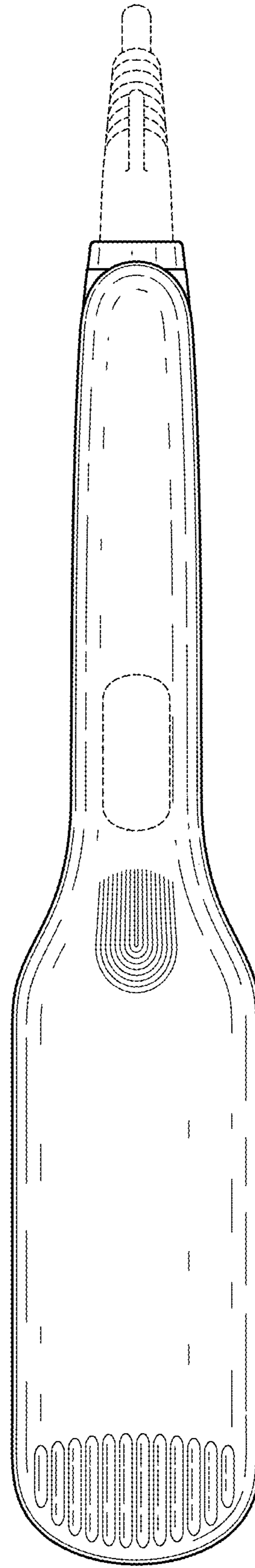


FIG.11

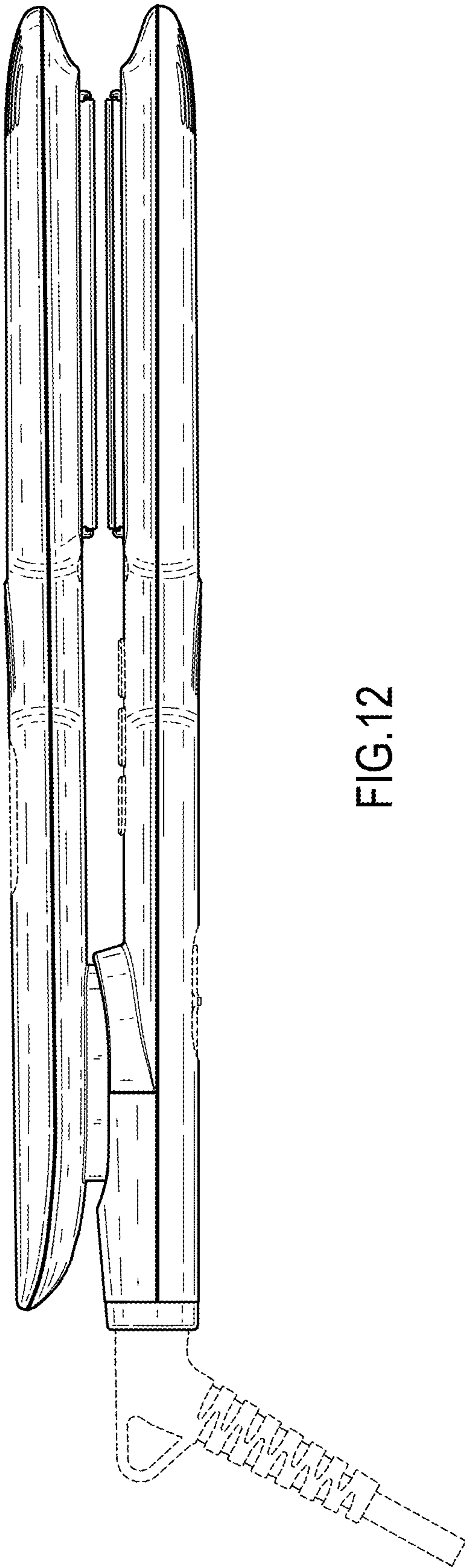


FIG.12

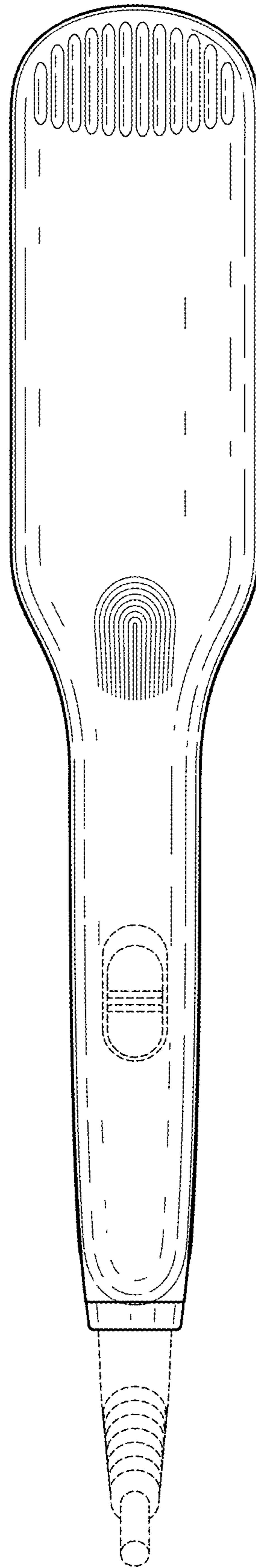


FIG.13

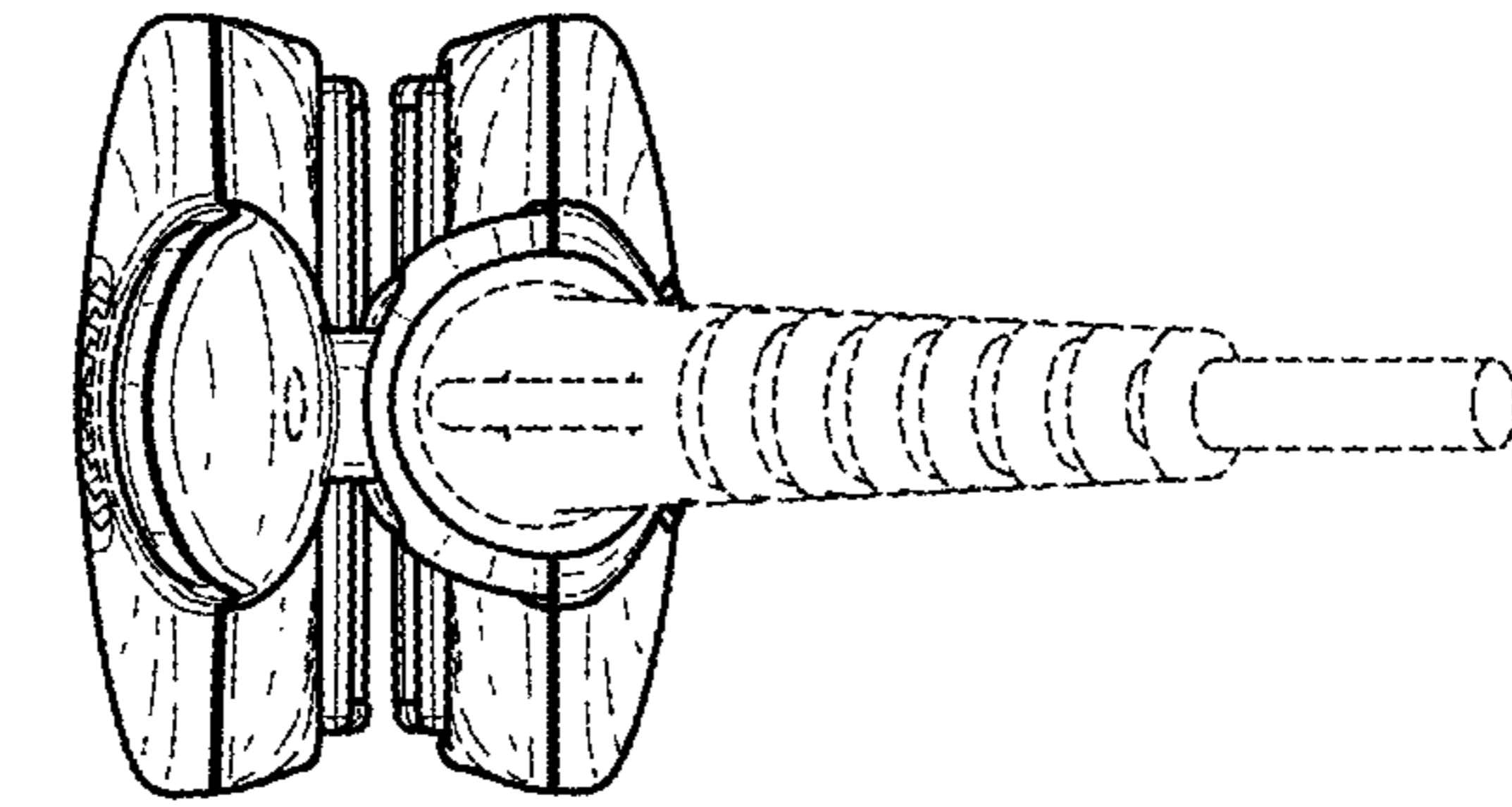


FIG.15

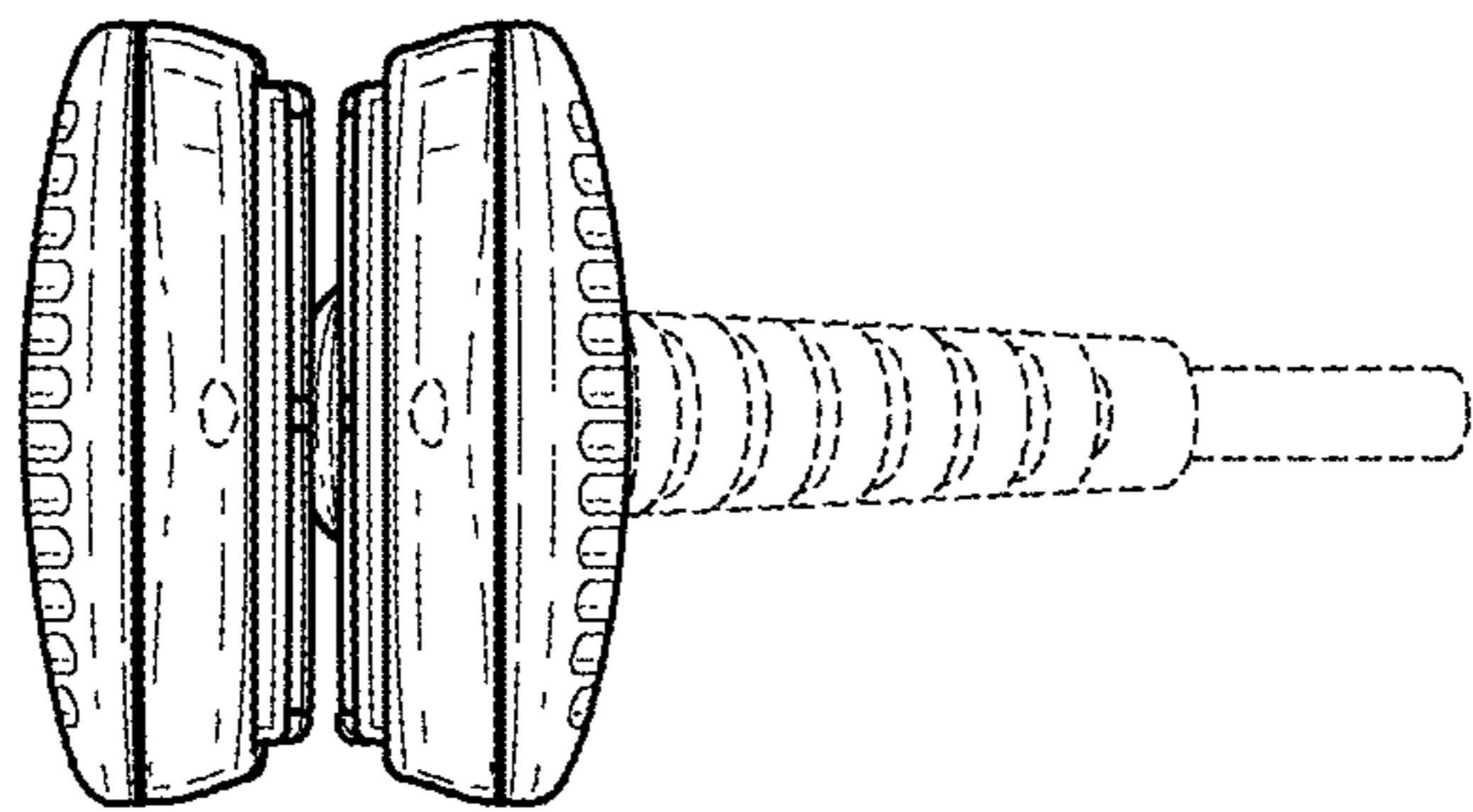


FIG.14

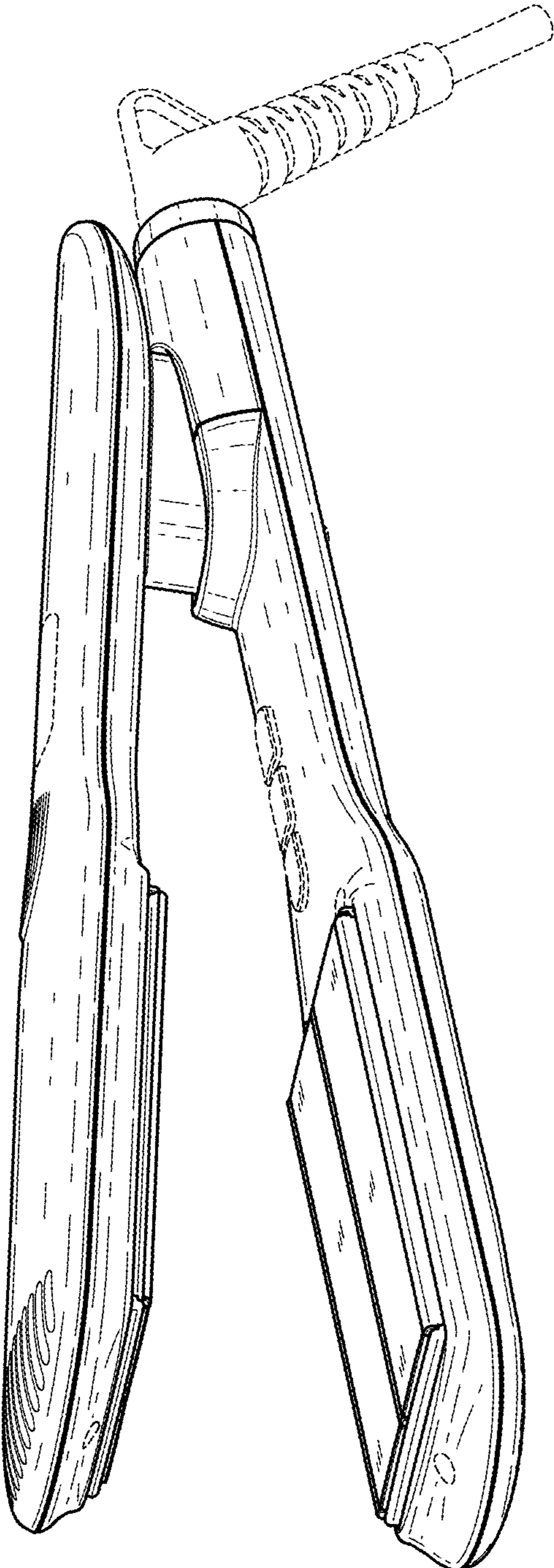


FIG.16