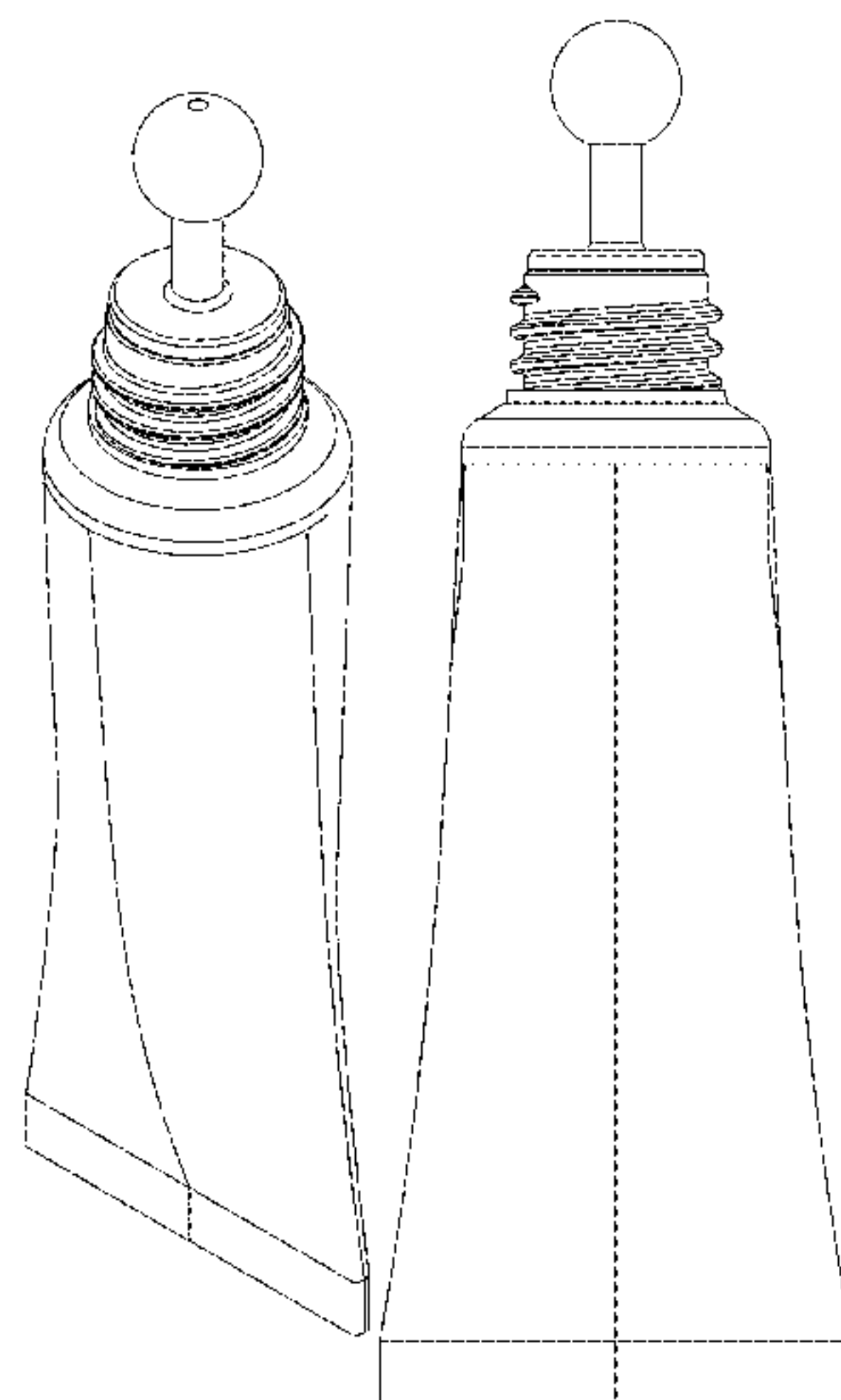




US00D910236S

(12) **United States Design Patent** (10) **Patent No.:** **US D910,236 S**  
**Thorpe** (45) **Date of Patent:** **\*\* Feb. 9, 2021**

- (54) **BALL TIP APPLICATOR** 1,362,601 A 12/1920 Chandler  
1,429,823 A 9/1922 Allison  
(71) Applicant: **HCT GROUP HOLDINGS** 1,666,116 A 4/1928 Bunnell  
**LIMITED**, Central (CN) 2,034,137 A 3/1936 Dermot  
2,442,503 A 6/1948 Zachary  
(72) Inventor: **Timothy Thorpe**, Santa Monica, CA 2,459,733 A 1/1949 Donald  
(US) 2,512,100 A 6/1950 Leo  
D165,691 S 1/1952 Macomic  
2,584,735 A 2/1952 Pancoast  
2,590,329 A 3/1952 Viva  
(73) Assignee: **HCT GROUP HOLDINGS** 2,982,987 A 5/1961 Knapp  
**LIMITED**, Hong Kong (CN) 3,028,868 A 4/1962 Tandler  
3,130,433 A 4/1964 John  
(\*\*) Term: **15 Years** 3,235,900 A 2/1966 Klassen  
3,577,582 A 5/1971 Aston  
3,837,749 A 9/1974 Spatz  
(21) Appl. No.: **29/670,831** 3,850,183 A 11/1974 Gruska  
3,908,676 A 9/1975 Levine et al.  
(22) Filed: **Nov. 20, 2018** 3,951,157 A 4/1976 Idec  
4,029,422 A 6/1977 Pillsbury  
(51) **LOC (13) Cl.** ..... **28-02** 4,129,391 A 12/1978 Gamacher  
(52) **U.S. Cl.** 4,291,685 A 9/1981 Taelman  
USPC ..... **D28/7** 4,446,880 A 5/1984 Gueret et al.  
4,470,715 A 9/1984 Reuchlin et al.  
(58) **Field of Classification Search** D280,135 S 8/1985 Cassai et al.  
USPC ..... D28/7, 8, 8.1, 8.2, 9, 20, 48, 54.1, 63, 4,545,393 A 10/1985 Gueret et al.  
D28/73, 76, 77, 78, 82 4,551,038 A 11/1985 Baker et al.  
CPC .... A45D 33/00; A45D 33/001; A45D 33/003; 4,617,948 A 10/1986 Gueret  
A45D 33/006; A45D 33/02; A45D 33/18; 4,869,612 A 9/1989 Mooney et al.  
A45D 33/22; A45D 40/26; A45D 40/261; 4,874,117 A 10/1989 Kay et al.  
A45D 40/28; A45D 44/08; A45D 44/10; 4,880,326 A 11/1989 Spivey et al.  
A45D 2200/20; A45D 2200/207; A45D 4,887,924 A 12/1989 Green  
2200/1009; A45D 2200/1054; A45D 4,909,265 A 3/1990 Goncalves  
2200/1063; A45D 2200/1081; A45D D307,191 S \* 4/1990 Blutenthal ..... D28/7  
2200/109; A46B 2200/00; A46B 2200/10; 4,929,108 A 5/1990 Gueret  
A46B 2200/102; A46B 2200/1046; A46B 4,940,350 A 7/1990 Kim  
5/00; A46B 5/02; A46B 5/021; A46B 4,987,911 A 1/1991 Powers  
5/023; A46B 5/025; A46B 5/026; A46B 5,007,442 A 4/1991 Hirzel  
5/028; A46B 5/0095; A46B 7/00; A46B 5,052,839 A 10/1991 Pettengill  
7/02; A46B 7/023; A47K 7/00; A47K 5,056,179 A 10/1991 Capponi  
7/02; A47K 7/06; A47K 7/08 D325,264 S 4/1992 Shinohara  
5,109,877 A 5/1992 Takeda  
5,116,156 A 5/1992 Landi  
D328,366 S 7/1992 Villani  
5,180,244 A 1/1993 Hirose  
D339,235 S 9/1993 Hirzel  
D346,040 S \* 4/1994 Andregg ..... D28/7  
5,302,043 A 4/1994 Velliquette  
5,391,011 A 2/1995 Gueret  
5,567,073 A 10/1996 Laforcade et al.  
5,620,270 A 4/1997 Gueret  
5,690,441 A 11/1997 McManus  
5,738,067 A 4/1998 Landwehr et al.
- See application file for complete search history.
- (56) **References Cited**
- U.S. PATENT DOCUMENTS
- 544,452 A 8/1895 Young et al.  
753,968 A 3/1904 Farmer  
776,468 A 11/1904 Hosmer



# US D910,236 S

5,816,728 A	10/1998	Nardolillo et al.	D729,070 S *	5/2015	Faria .....	D28/76
5,836,320 A	11/1998	Gueret	D734,539 S *	7/2015	Yeo .....	D28/7
5,960,802 A	10/1999	Sakai	D818,843 S *	5/2018	Kim .....	D9/723
6,009,887 A	1/2000	Hertel	D820,111 S *	6/2018	Kim .....	D9/723
6,010,264 A	1/2000	Scuderi et al.	D827,924 S *	9/2018	Crane .....	D28/7
6,026,824 A	2/2000	Gueret	D860,525 S *	9/2019	Choi .....	D28/7
6,035,865 A	3/2000	Krieger	D861,245 S *	9/2019	Silva .....	D28/7
D425,669 S	5/2000	Gavin	2001/0037815 A1	11/2001	Gueret	
6,059,474 A	5/2000	Huang	2001/0047949 A1	12/2001	Bono	
6,126,352 A	10/2000	Wiley	2002/0076258 A1	6/2002	Crosby et al.	
6,129,469 A	10/2000	Messer et al.	2002/0164192 A1	11/2002	Gueret	
6,164,857 A	12/2000	Wolfarth-Brooks et al.	2004/0018037 A1	1/2004	Gueret	
6,238,117 B1	5/2001	Griebel et al.	2004/0129284 A1	7/2004	Abergel	
6,261,014 B1	7/2001	Altobellis et al.	2004/0190975 A1	9/2004	Goodman et al.	
6,287,034 B1	9/2001	Miraglia et al.	2004/0222124 A1	11/2004	Byun	
6,290,416 B1	9/2001	Gueret	2004/0237996 A1	12/2004	Fischer et al.	
6,309,125 B1	10/2001	Peters	2004/0249320 A1	12/2004	Yamazaki et al.	
6,309,128 B1	10/2001	Griebel et al.	2005/0000534 A1	1/2005	Tien	
6,402,411 B2	6/2002	Spencer et al.	2005/0031401 A1	2/2005	Gueret	
6,546,937 B2	4/2003	Gueret	2005/0047848 A1	3/2005	Carraher	
6,588,958 B1	7/2003	Seidler	2005/0175786 A1	8/2005	Singh et al.	
6,591,842 B2	7/2003	Gueret	2005/0197268 A1	9/2005	Buskirk et al.	
6,607,323 B2	8/2003	Breidenbach et al.	2005/0249539 A1	11/2005	Habatjou	
6,648,538 B2	11/2003	Gueret	2005/0258172 A1	11/2005	Gueret	
6,672,784 B2	1/2004	Baumann et al.	2006/0032512 A1	2/2006	Kress et al.	
6,688,317 B2	2/2004	Gueret	2006/0039742 A1	2/2006	Cable et al.	
6,866,046 B2	3/2005	Gueret	2006/0072956 A1	4/2006	Tanaka et al.	
6,890,115 B2	5/2005	Moing	2006/0093425 A1	5/2006	Gueret	
6,974,513 B2	12/2005	Kepka	2006/0162736 A1	7/2006	Gray	
7,040,827 B2	5/2006	Gueret	2006/0198686 A1	9/2006	Hetzel	
7,066,674 B2	6/2006	Gueret	2006/0207627 A1	9/2006	Thorpe et al.	
7,083,347 B2	8/2006	Marcotte et al.	2006/0216104 A1	9/2006	Bouix et al.	
7,147,395 B2	12/2006	Weiss et al.	2006/0272668 A1	12/2006	Wyatt et al.	
7,172,357 B2	2/2007	Gueret	2006/0275072 A1	12/2006	Petit	
7,261,483 B2	8/2007	Gueret	2007/0034224 A1	2/2007	Dumler	
D555,831 S	11/2007	Chan	2007/0071538 A1	3/2007	Doria	
7,344,327 B2	3/2008	Gueret	2007/0084885 A1	4/2007	Conway et al.	
7,398,898 B2	7/2008	Bouix et al.	2007/0151571 A1	7/2007	Byun	
7,416,358 B2	8/2008	Legendre	2007/0158372 A1	7/2007	Kurek et al.	
D577,603 S *	9/2008	Bae .....	2007/0186950 A1	8/2007	Roeder	D28/7
7,429,141 B2	9/2008	Habatjou	2007/0186951 A1	8/2007	Gueret	
7,467,905 B2	12/2008	Habatjou	2007/0206986 A1	9/2007	Gueret	
7,476,048 B2	1/2009	Prague	2007/0217860 A1*	9/2007	Byun .....	B65D 35/36
7,530,752 B2	5/2009	Gueret				401/205
7,581,544 B2	9/2009	Gueret	2007/0272269 A1	11/2007	Wyatt et al.	
7,628,559 B2	12/2009	Petit	2007/0289602 A1	12/2007	Simmons	
7,785,026 B2	8/2010	Eng et al.	2008/0060665 A1	3/2008	Umeno et al.	
7,824,124 B2	11/2010	Francavilla et al.	2008/0060668 A1	3/2008	LeGassie	
D631,193 S *	1/2011	Limong .....	2008/0138138 A1	6/2008	Gueret	D28/7
7,878,727 B2	2/2011	Koptis	2008/0166172 A1	7/2008	Eng et al.	
7,883,287 B2	2/2011	Thorpe	2008/0193193 A1	8/2008	Pechko et al.	
7,927,032 B2	4/2011	Sanchez	2008/0286030 A1	11/2008	Roder	
7,959,369 B2	6/2011	Gueret	2009/0003917 A1	1/2009	Duncan	
8,028,707 B2	10/2011	Wyatt et al.	2009/0071499 A1	3/2009	Wyatt et al.	
D653,805 S	2/2012	Tani	2009/0097899 A1	4/2009	Carroll	
8,136,536 B2	3/2012	Bickford	2009/0194120 A1	8/2009	Pires et al.	
8,141,561 B2	3/2012	Thorpe et al.	2009/0194127 A1	8/2009	Pires et al.	
8,161,983 B1	4/2012	Lee	2010/0028070 A1	2/2010	Gieux et al.	
D659,549 S *	5/2012	Fera .....	2010/0034574 A1*	2/2010	Zhang .....	A45D 40/24
8,220,469 B1	7/2012	Spagnuolo				401/47
8,226,319 B2	7/2012	Francavilla et al.	2010/0059080 A1	3/2010	Gueret	
8,251,074 B2	8/2012	Pires et al.	2010/0178095 A1	7/2010	Bouix et al.	
8,292,529 B2	10/2012	Francavilla	2010/0300474 A1	12/2010	Tsai	
8,292,535 B2	10/2012	Thorpe	2011/0056505 A1	3/2011	Parkinson et al.	
8,307,836 B2	11/2012	Pires et al.	2011/0103878 A1	5/2011	Neuner et al.	
8,360,674 B2	1/2013	Dwyer	2011/0116857 A1	5/2011	Carroll et al.	
8,517,622 B2	8/2013	Apodaca et al.	2011/0123248 A1	5/2011	Kim	
8,540,449 B2	9/2013	Song	2011/0176856 A1	7/2011	Gardner et al.	
D693,059 S	11/2013	Tani	2011/0190672 A1	8/2011	Apodaca et al.	
8,573,874 B2	11/2013	Neuner	2011/0250008 A1	10/2011	Lim	
D696,816 S	12/2013	Kordulla et al.	2011/0282305 A1*	11/2011	Weiser .....	A61M 35/003
8,662,089 B2	3/2014	Hwang				604/298
8,678,693 B2	3/2014	Sturgis et al.	2012/0014736 A1	1/2012	Pires et al.	
D708,783 S *	7/2014	Kim .....	2012/0065555 A1	3/2012	Chae et al.	D28/7
D714,490 S *	9/2014	Betts .....	2012/0204899 A1	8/2012	Uehara et al.	D28/7
8,864,401 B2	10/2014	Duru	2012/0266907 A1	10/2012	Chan	
8,881,745 B2	11/2014	Pires et al.	2012/0282008 A1	11/2012	Geuther et al.	
8,899,243 B2	12/2014	Pires et al.	2012/0312315 A1	12/2012	Gueret	
9,016,968 B2	4/2015	Thorpe	2013/0051894 A1	2/2013	Lim et al.	



2013/0121748	A1	5/2013	Ramirez	
2013/0287473	A1*	10/2013	Coupard .....	A45D 26/0014 401/208
2014/0219701	A1	8/2014	Eberlein	
2014/0234010	A1	8/2014	Thorpe et al.	
2015/0230586	A1*	8/2015	Thorpe .....	A45D 40/26 401/266
2016/0249726	A1*	9/2016	Jung .....	A45D 34/04 401/261
2017/0049212	A1*	2/2017	Casasanta, III .....	A45D 40/18
2017/0143096	A1*	5/2017	Zembrod .....	A45D 33/005
2017/0208917	A1*	7/2017	Kim .....	B05B 1/06
2017/0295905	A1*	10/2017	Kim .....	A45D 34/04
2018/0332946	A1*	11/2018	Liu .....	A45D 34/04

FOREIGN PATENT DOCUMENTS

CN	2606543	Y	3/2004	
CN	200941885	Y	9/2007	
CN	101884463	A	11/2010	
EP	181184	A2	5/1986	
EP	1358818	A1	11/2003	
EP	1834890	A1*	9/2007	..... B65D 35/36
EP	2084986	A2	8/2009	
EP	1797848	B1	3/2011	
FR	925899	A	9/1947	
GB	2262237	A	6/1993	
JP	8238884	A	9/1996	
JP	2000279870	A	10/2000	
JP	2006247037	A	9/2006	
KR	19980056332	A	9/1998	
KR	200271243	Y1	3/2002	
KR	20020039098	A	5/2002	
KR	200341782	Y1	2/2004	
KR	200383301	Y1	4/2005	
KR	200388116	Y1	6/2005	
KR	100523428	B1	10/2005	
KR	200432010	Y1	11/2006	
KR	200433606	Y1	12/2006	
WO	9211785	A1	7/1992	
WO	9531121	A1	5/1995	
WO	0210029	A1	2/2002	
WO	2005058405	A1	6/2005	
WO	2006031413	A2	3/2006	
WO	2007117091	A1	10/2007	
WO	2010098997	A1	9/2010	
WO	2011083427	A2	7/2011	
WO	2012032148	A1	3/2012	

OTHER PUBLICATIONS

Cosmetic Tubes with Metal Applicator, announced Dec. 27, 2019 [online], retrieved Jan. 21, 2020, retrieved from internet, [https://www.alibaba.com/product-detail/New-Type-15ml-Cosmetic-Tubes-with\\_60384622429.html](https://www.alibaba.com/product-detail/New-Type-15ml-Cosmetic-Tubes-with_60384622429.html).\*

10ml Eye Cream Tube with Steel Single Roller Ball Applicator, announced Jun. 6, 2017 [online], retrieved Jan. 21, 2020, retrieved from internet, [https://789qaz.en.ec21.com/10ml\\_Eye\\_Cream\\_Tube\\_with--10448942\\_10449346.html](https://789qaz.en.ec21.com/10ml_Eye_Cream_Tube_with--10448942_10449346.html).\*

Givenchy Demesure Audacious Lashes Mascara, May 17, 2011, retrieved from the internet at [www.fashionizers.com/perfumes-makeup/givenchu-demesure-audacious-lashes-mascara/](http://www.fashionizers.com/perfumes-makeup/givenchu-demesure-audacious-lashes-mascara/), 9 pages.

\* cited by examiner

*Primary Examiner* — Dana K Weiland  
*Assistant Examiner* — Messina L Smith  
 (74) *Attorney, Agent, or Firm* — Seager, Tufte & Wickhem LLP

(57) **CLAIM**

The ornamental design for a ball tip applicator, as shown and described.

**DESCRIPTION**

FIG. 1 is a perspective view of a ball tip applicator showing the new design;  
 FIG. 2 is a perspective view of the ball tip applicator, shown with the cap removed;  
 FIG. 3 is a front view thereof;  
 FIG. 4 is a rear view thereof;  
 FIG. 5 is a right side view thereof;  
 FIG. 6 is a left side view thereof;  
 FIG. 7 is a top view thereof; and,  
 FIG. 8 is a bottom view thereof.

The broken lines shown in the drawings are for the purpose of depicting portions of the ball tip applicator that form no part of the claimed design.

**1 Claim, 8 Drawing Sheets**

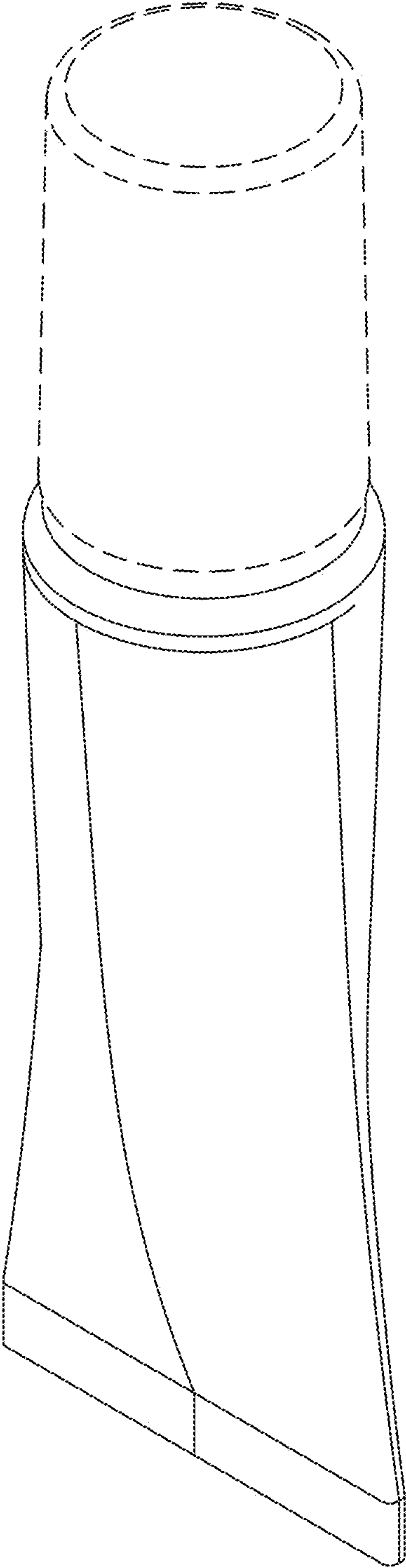


FIG. 1

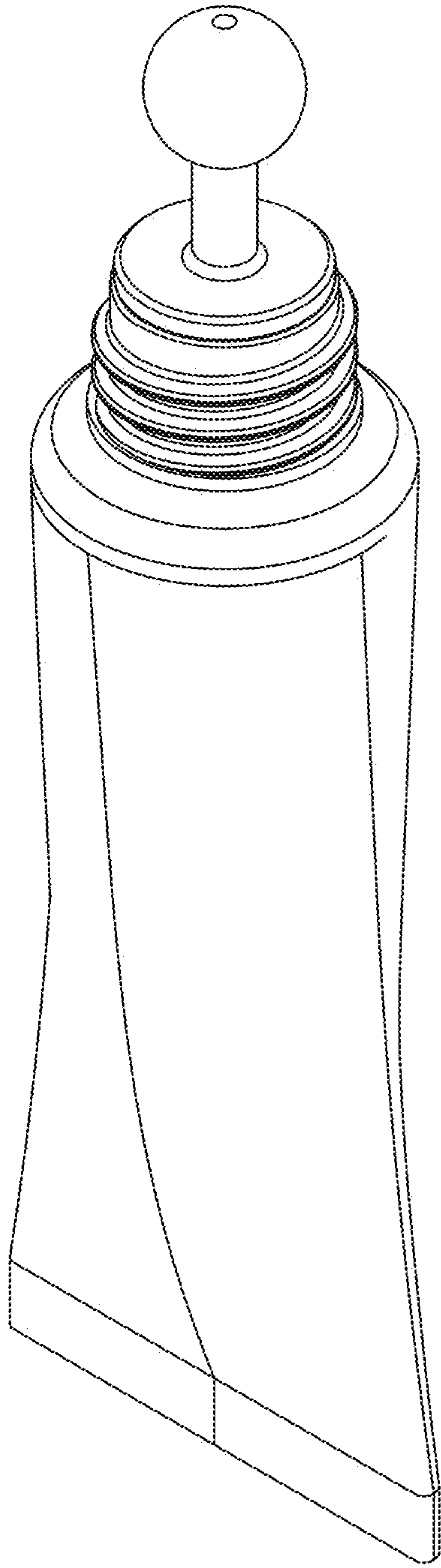


FIG. 2

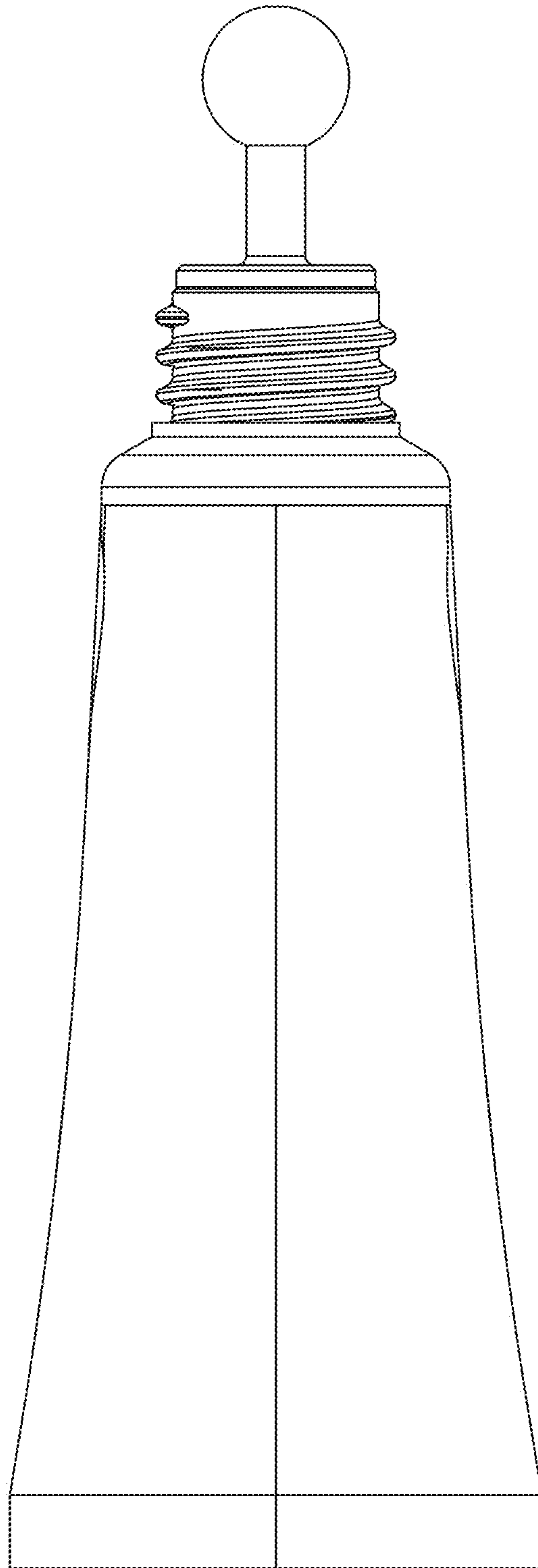


FIG. 3

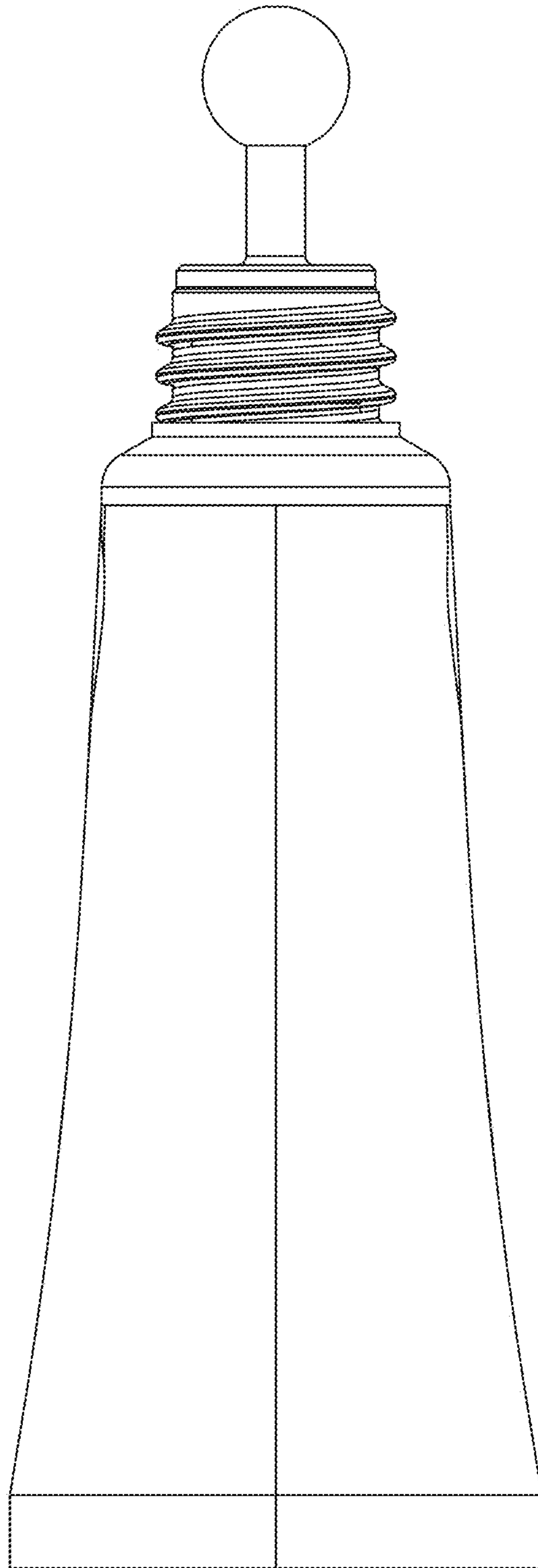


FIG. 4

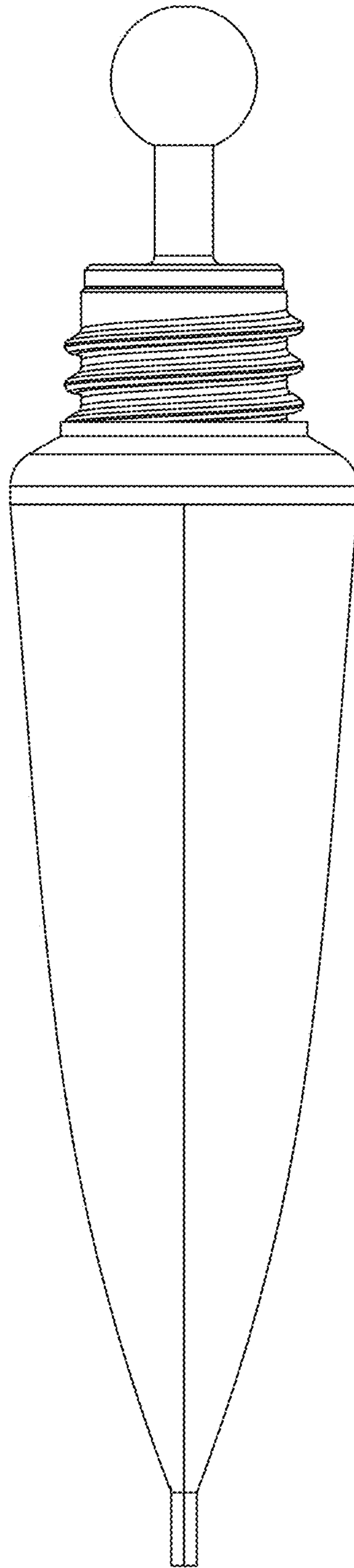


FIG. 5



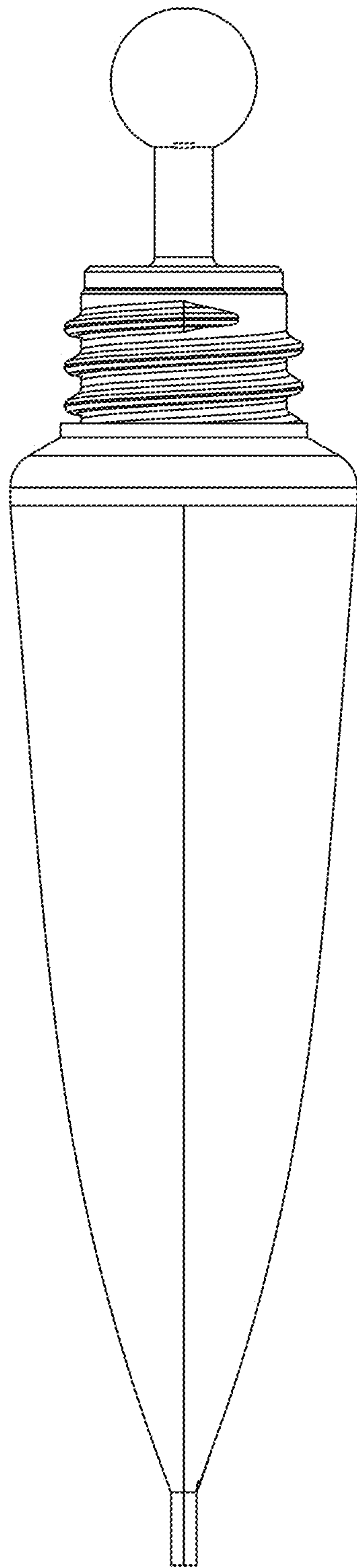


FIG. 6

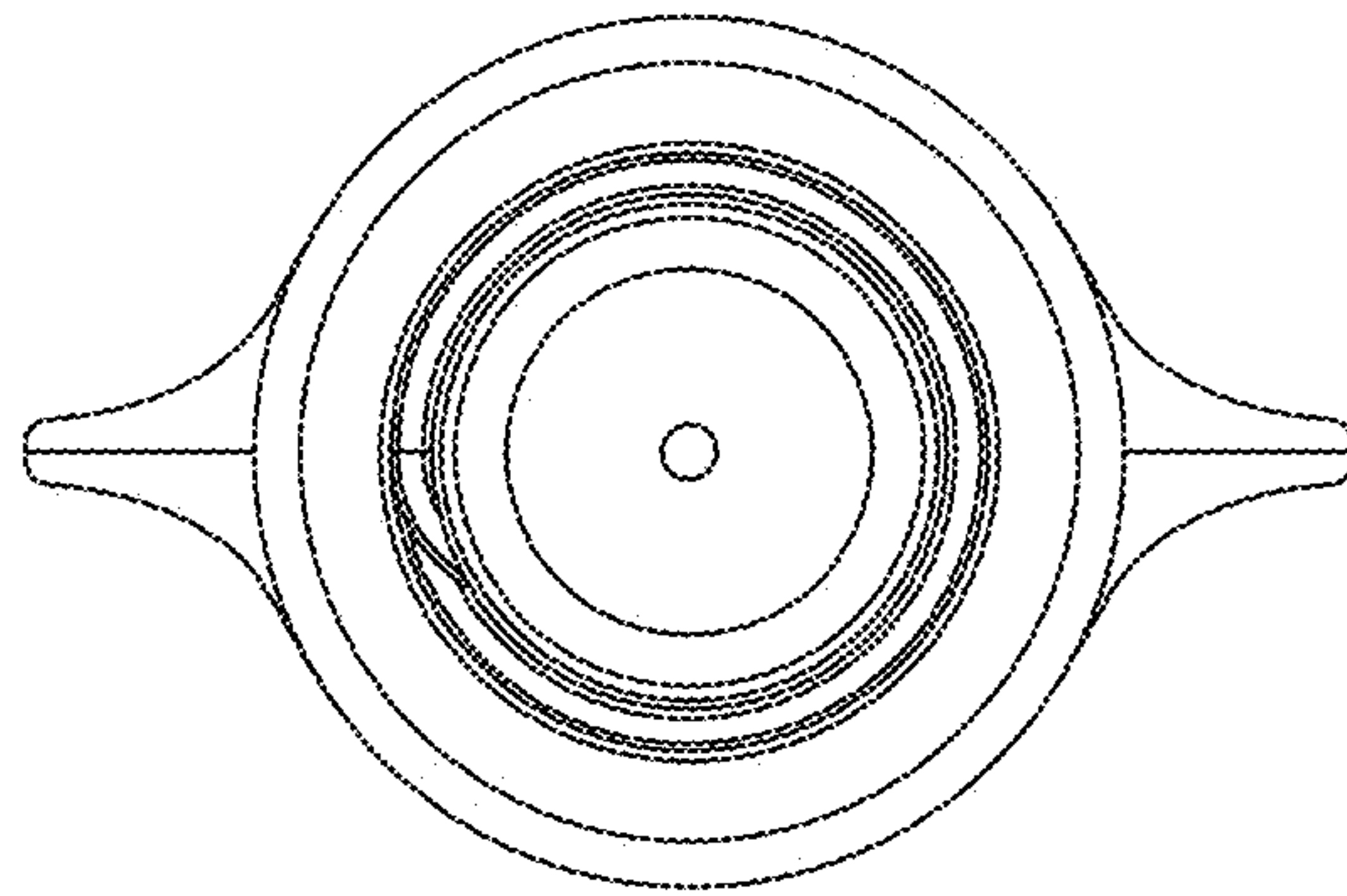


FIG. 7

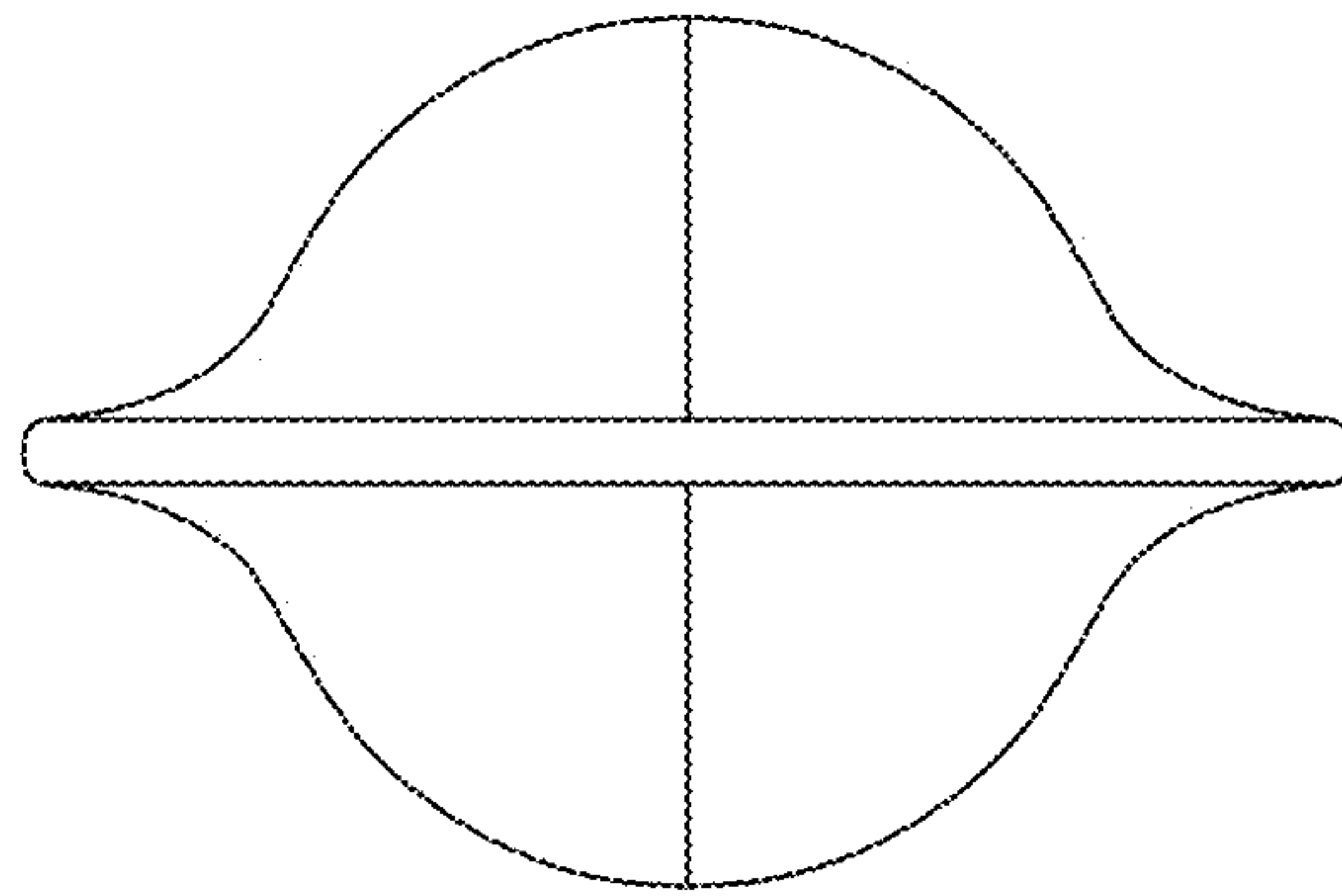


FIG. 8