



US00D910231S

(12) **United States Design Patent** (10) **Patent No.:** **US D910,231 S**
Liu et al. (45) **Date of Patent:** **** Feb. 9, 2021**

(54) **ELECTRICALLY HEATED SMOKING ARTICLE**

(71) Applicant: **Shenzhen Royal Tobacco Industrial Ltd, Guangdong (CN)**

(72) Inventors: **Fengqun Liu, Guangdong (CN); Zhenlong Liao, Guangdong (CN); Xiaohang Lin, Guangdong (CN); Yongbin Xu, Guangdong (CN); Yonghui Lin, Guangdong (CN); Hongyi Mao, Guangdong (CN)**

(**) Term: **15 Years**

(21) Appl. No.: **29/685,364**

(22) Filed: **Mar. 28, 2019**

(30) **Foreign Application Priority Data**

Sep. 30, 2018 (CN) 2018 3 0556350

(51) **LOC (13) Cl.** **27-03**

(52) **U.S. Cl.**
USPC **D27/126**

(58) **Field of Classification Search**
USPC D27/126, 162, 100, 101, 106, 108, D27/163-165, 172, 183, 185-192, 194; D24/110, 110.5; D23/366
CPC A24F 9/00; A24F 47/002; A24F 47/004; A24F 47/006; A24F 47/008; A61M 15/06
See application file for complete search history.

(56) **References Cited**

U.S. PATENT DOCUMENTS

D433,532 S	*	11/2000	Higgins	D27/186
D769,520 S	*	10/2016	Hua	D27/167
D795,496 S	*	8/2017	Beer	D27/101
D799,110 S	*	10/2017	Qiu	D27/101
D821,640 S	*	6/2018	Qiu	D27/162
D828,953 S	*	9/2018	Chen	D27/167
D836,831 S	*	12/2018	Cividi	D27/162

D839,823 S	*	2/2019	Lemelson	D13/103
D843,052 S	*	3/2019	Powell	D27/163
D851,328 S	*	6/2019	Smith	D27/162
D863,665 S	*	10/2019	Huang	D27/101
D863,670 S	*	10/2019	He	D27/162
D869,086 S	*	12/2019	Pan	D27/162
D870,034 S	*	12/2019	Lai	D13/103
D877,976 S	*	3/2020	Ding	D27/162
D878,672 S	*	3/2020	Beer	D27/162
D881,459 S	*	4/2020	Ouyang	D27/162
D889,740 S	*	7/2020	Beer	D27/194

* cited by examiner

Primary Examiner — Marissa J Cash

Assistant Examiner — Rebecca Tsehaye

(74) *Attorney, Agent, or Firm* — ZANIP

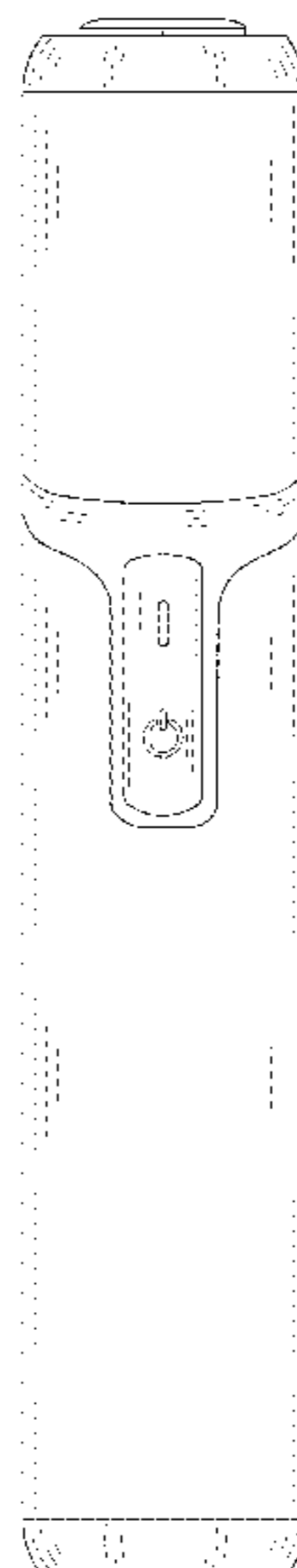
(57) **CLAIM**

The ornamental design for an electrically heated smoking article, as shown and described.

DESCRIPTION

FIG. 1 is a front elevational view of an electrically heated smoking article;
FIG. 2 is a rear elevational view of the electrically heated smoking article;
FIG. 3 is a left elevational view of the electrically heated smoking article;
FIG. 4 is a right elevational view of the electrically heated smoking article;
FIG. 5 is a top plan view of the electrically heated smoking article;
FIG. 6 is a bottom plan view of the electrically heated smoking article;
FIG. 7 is a first perspective view of the electrically heated smoking article;
FIG. 8 is a second perspective view of the electrically heated smoking article; and,
FIG. 9 is an exploded perspective view of the electrically heated smoking article in an open position.

1 Claim, 9 Drawing Sheets



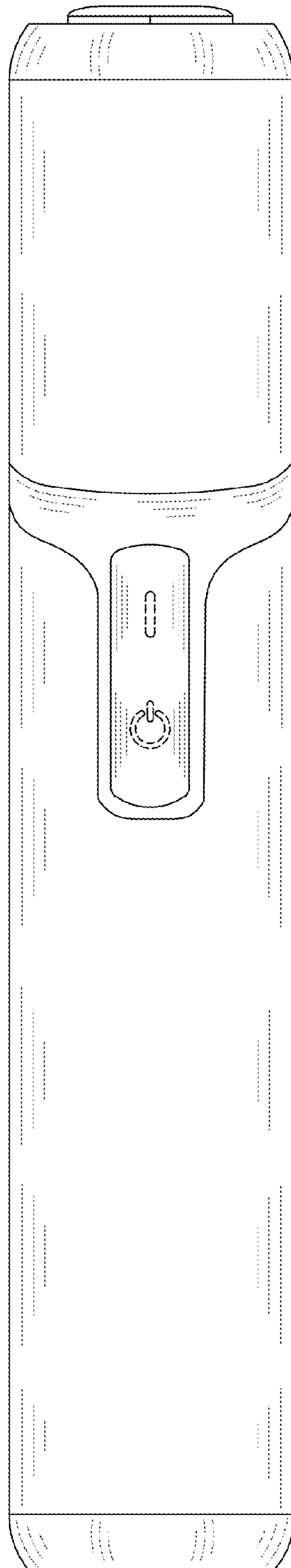


FIG.1

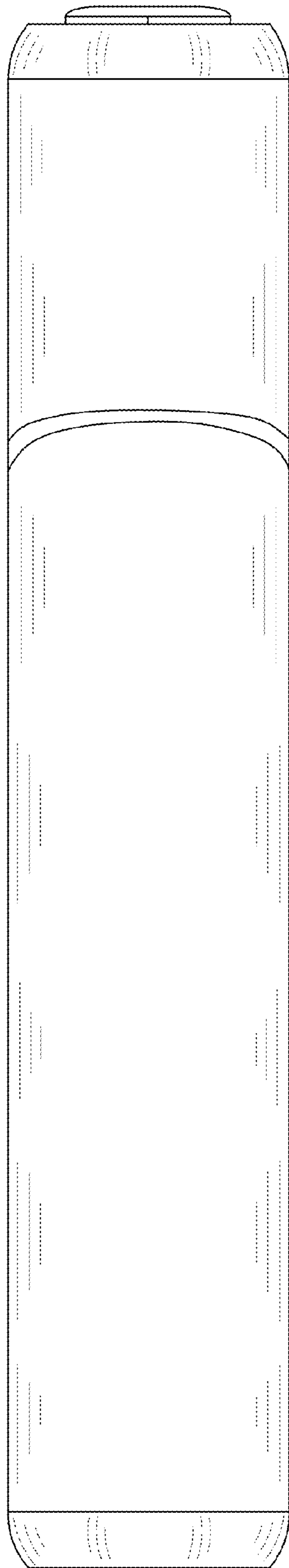


FIG.2

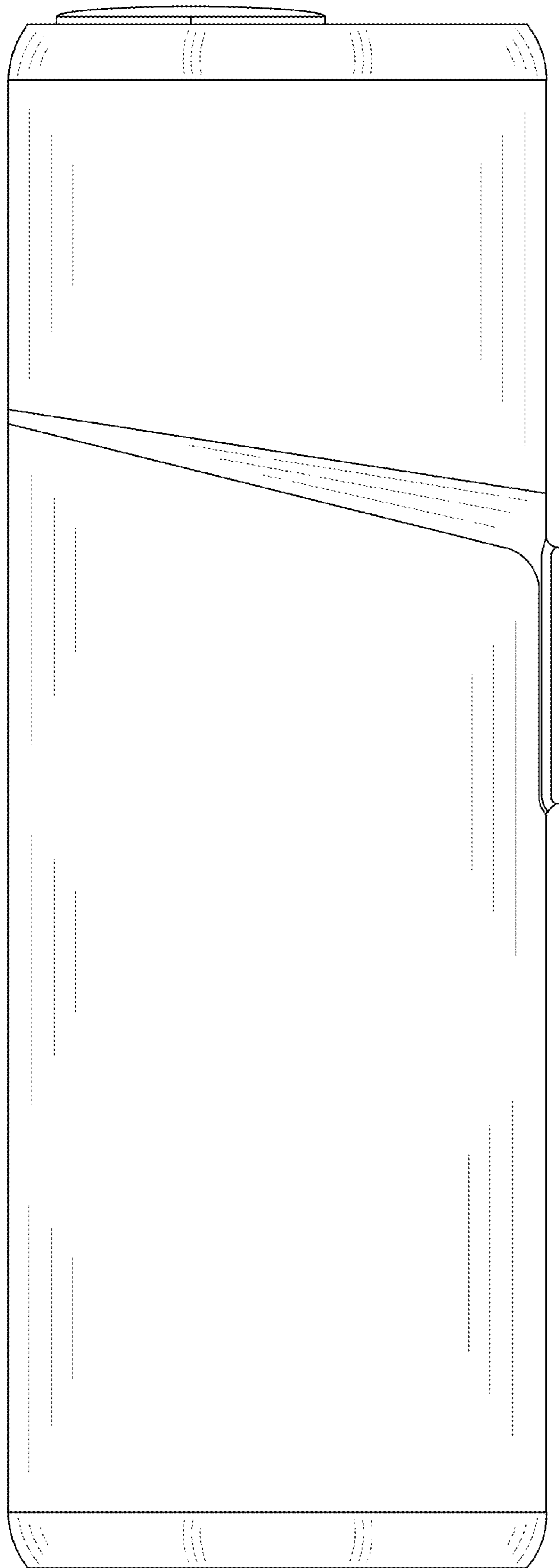


FIG. 3

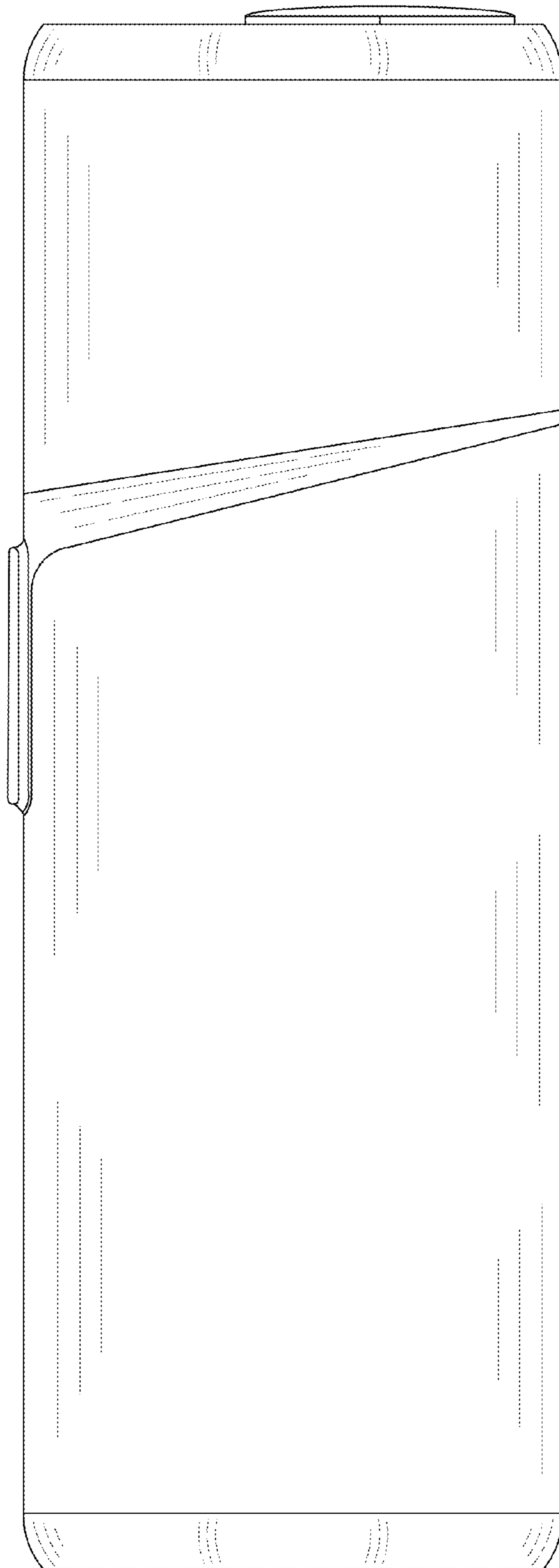


FIG. 4

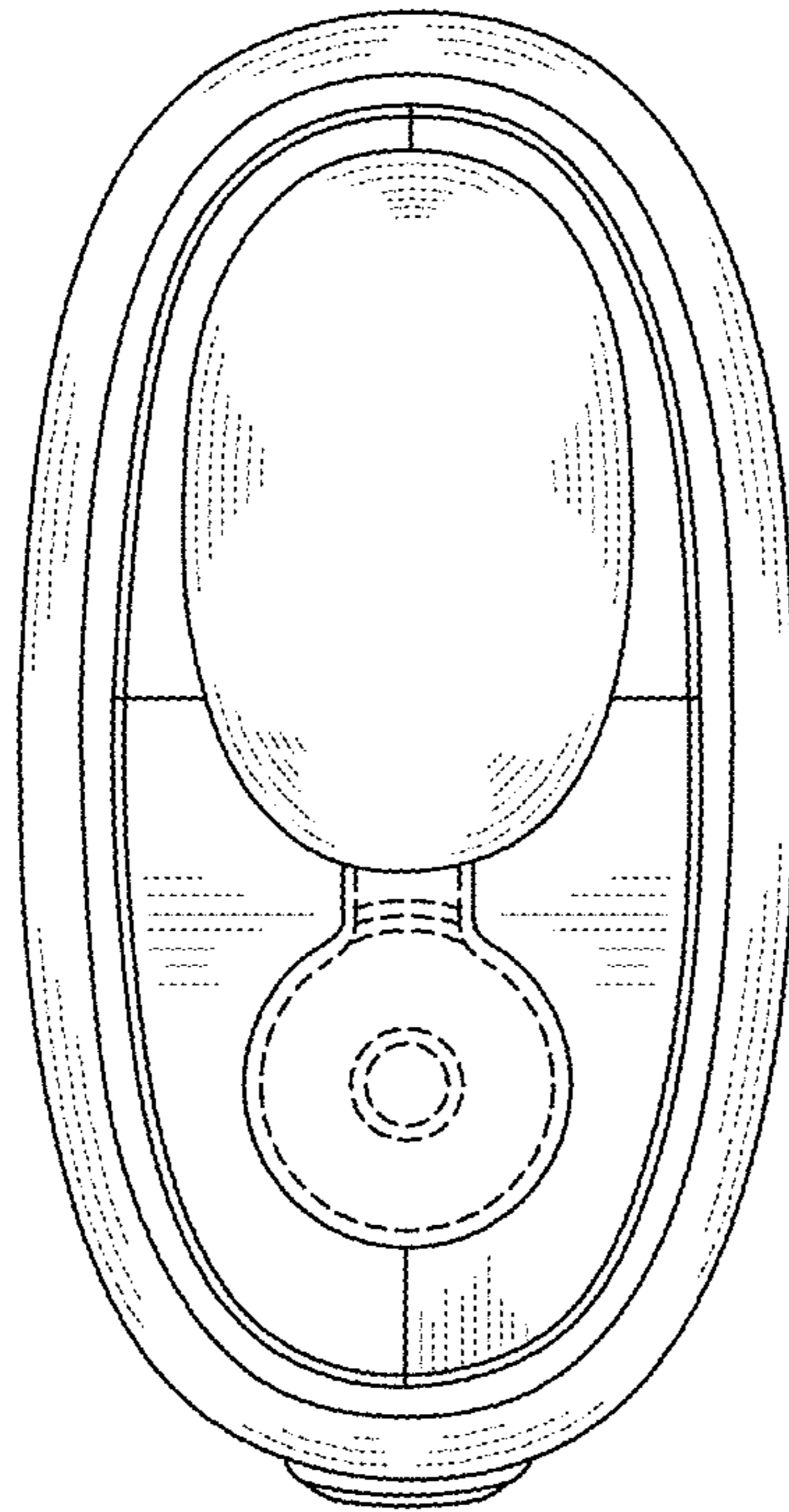


FIG.5

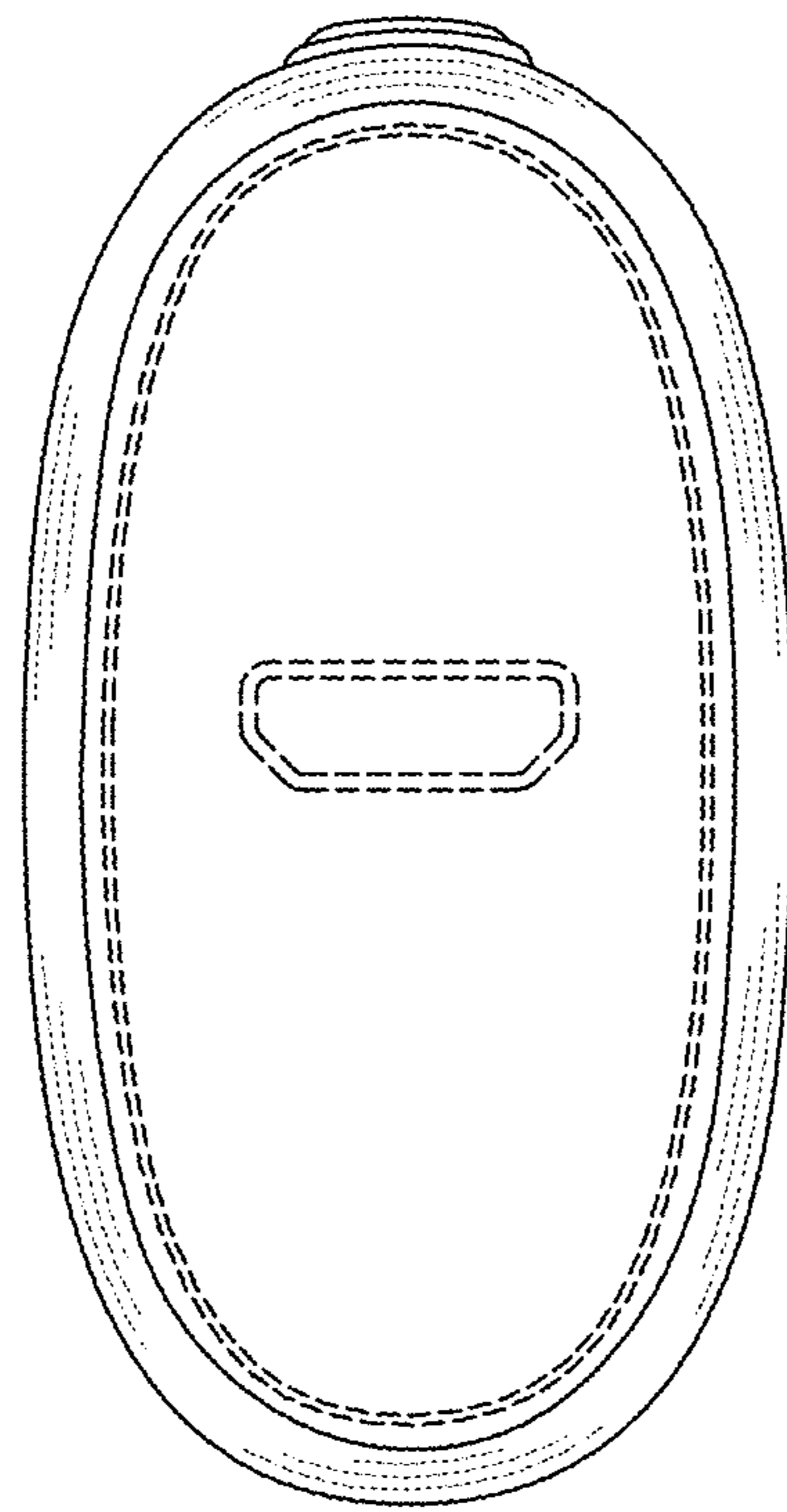


FIG. 6

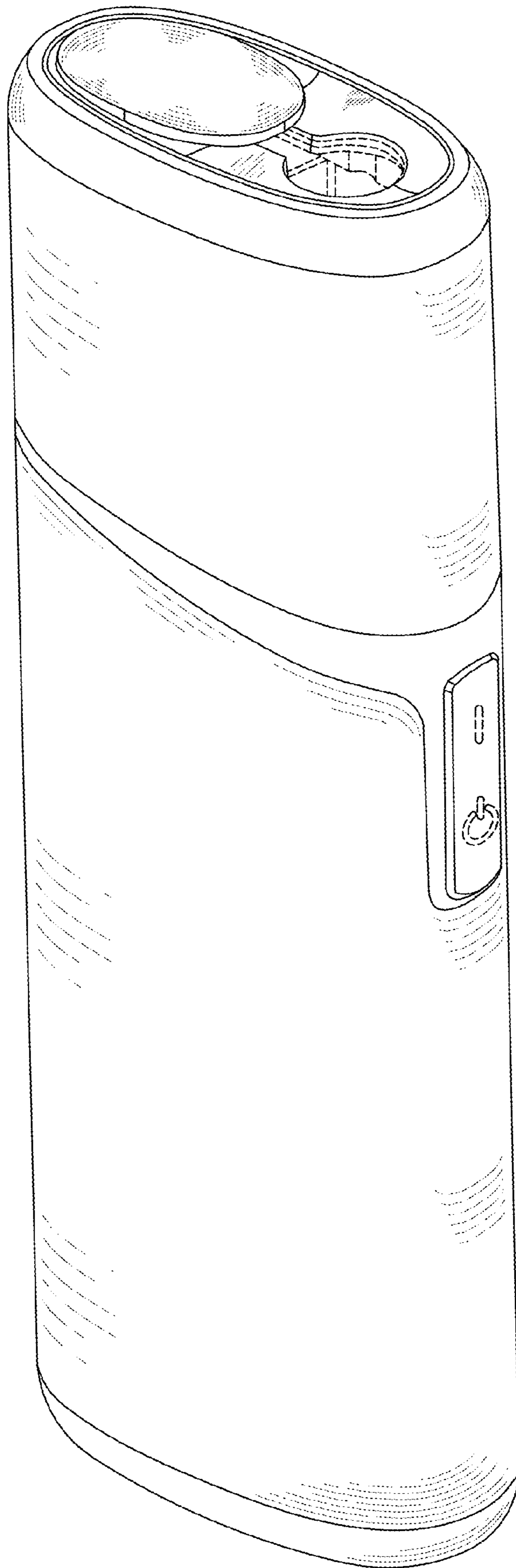


FIG. 7

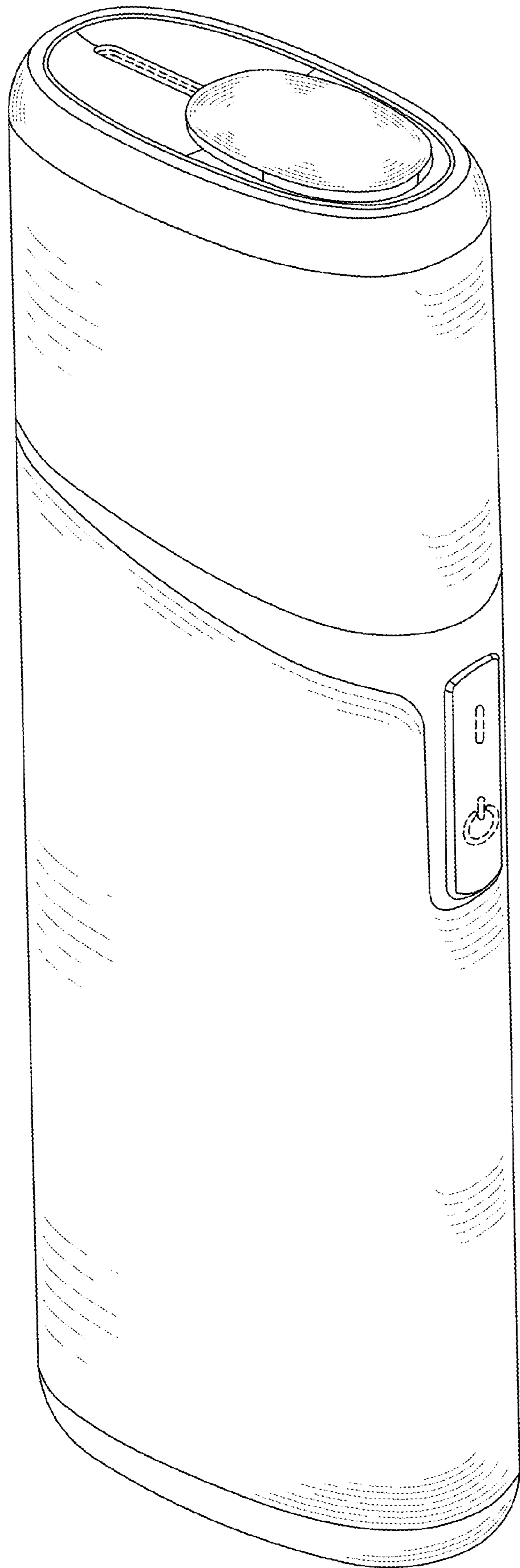


FIG.8

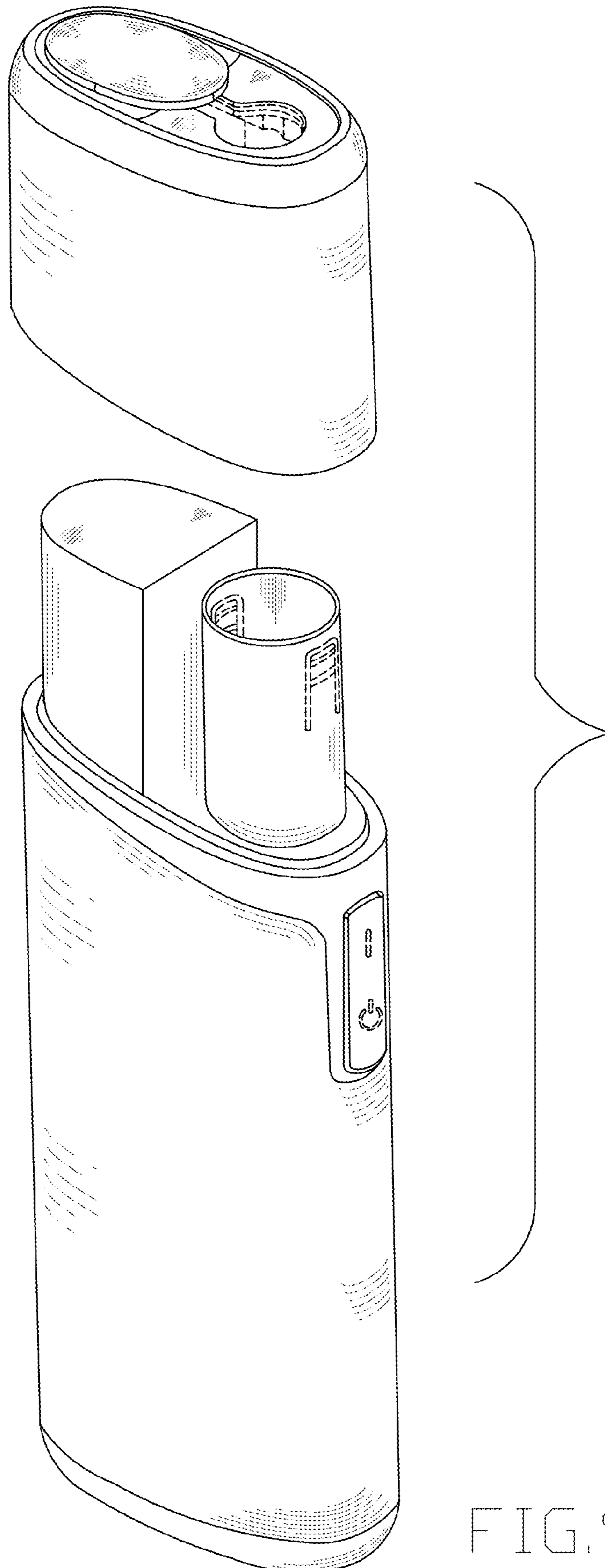


FIG. 9