



US00D910230S

(12) **United States Design Patent** (10) **Patent No.:** **US D910,230 S**
Peirce et al. (45) **Date of Patent:** **** Feb. 9, 2021**

(54) **GLASS JOINT WITH PLUNGER**
(71) Applicant: **Gravitron, LLC**, Austin, TX (US)
(72) Inventors: **Stephan Peirce**, Austin, TX (US);
Micah Evans, Austin, TX (US); **Travis Dodson**, Austin, TX (US)
(73) Assignee: **Gravitron, LLC**, Austin, TX (US)
(**) Term: **15 Years**
(21) Appl. No.: **29/679,052**
(22) Filed: **Feb. 1, 2019**
(51) **LOC (13) Cl.** **27-01**
(52) **U.S. Cl.**
USPC **D27/101**
(58) **Field of Classification Search**
USPC D27/100, 163, 167, 194; D24/113, 114;
131/328-230, 178, 191, 196, 216, 225,
131/227, 228
CPC A24F 1/00; A24F 1/18; A24F 1/22; A24F
1/28; A24F 1/32; A24F 7/00; A24F 7/02
See application file for complete search history.

D869,751 S * 12/2019 Zhang D27/162
10,548,346 B2 * 2/2020 Wrobel F23Q 7/02
D894,477 S * 8/2020 Peirce D27/101

OTHER PUBLICATIONS

<https://www.420science.com/products/grav-4in-glass-blunt> Apr. 18, 2019.*
Davis, Austin G., "Pre-Packs" Word Mark, Trademark Registration No. 5,799,351 registered on Jul. 9, 2019, filed Dec. 6, 2018, two pages.

* cited by examiner

Primary Examiner — Manpreet S Matharu
Assistant Examiner — Rebecca Tsehaye
(74) *Attorney, Agent, or Firm* — DickinsonWright, PLLC; Michael E. Noe, Jr.

(57) **CLAIM**

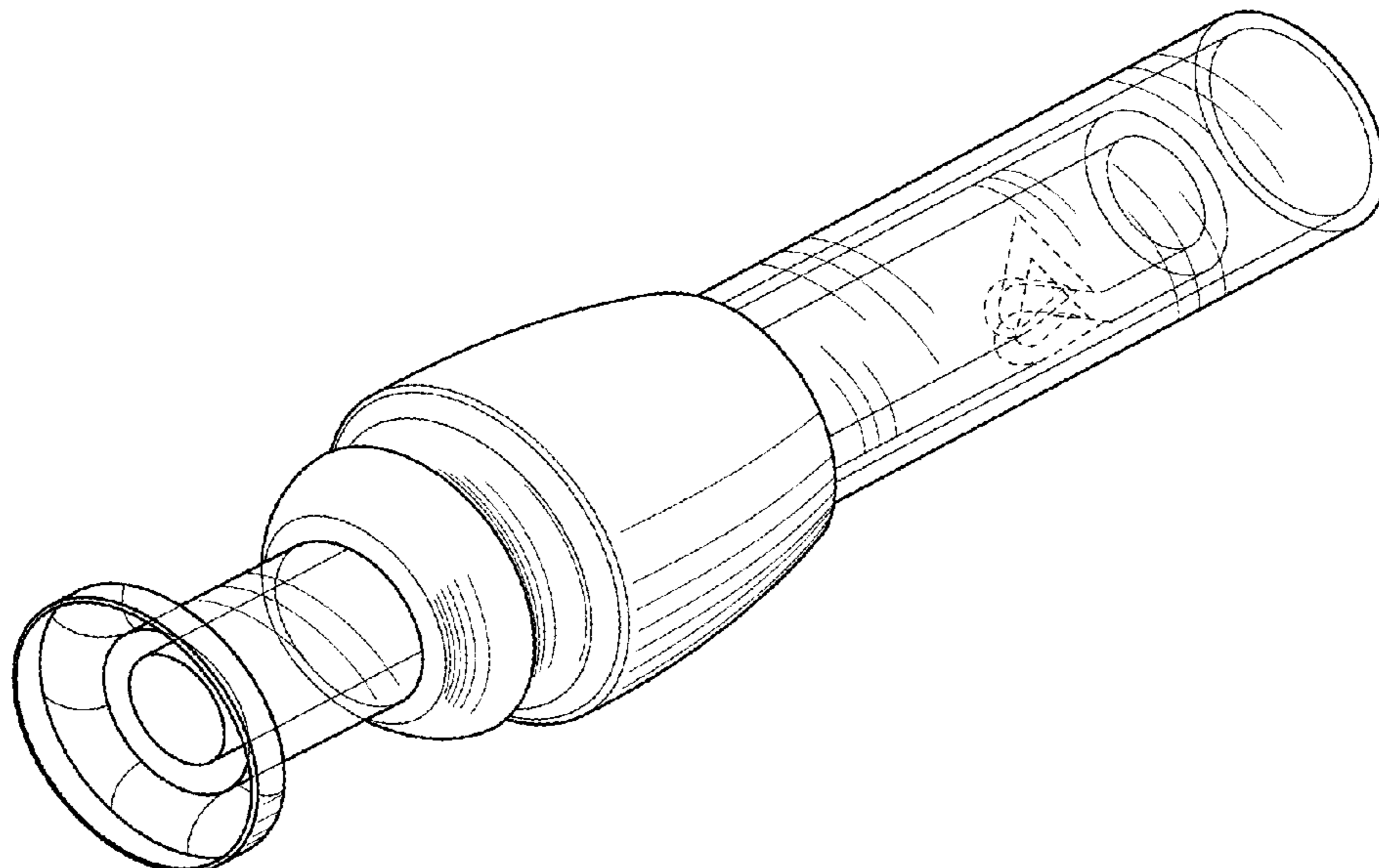
The ornamental design for a glass joint with plunger, substantially as shown and described.

DESCRIPTION

FIG. 1 is a perspective view of the glass joint with the plunger in an installed position;
FIG. 2 is a right side view thereof;
FIG. 3 is a left side view thereof;
FIG. 4 is a top view thereof;
FIG. 5 is a bottom view thereof;
FIG. 6 is a front view thereof;
FIG. 7 is a rear view thereof;
FIG. 8 is an exploded perspective view of the glass joint with plunger thereof;
FIG. 9 is an exploded right side view thereof;
FIG. 10 is an exploded left side view thereof;
FIG. 11 is an exploded top view thereof;
FIG. 12 is an exploded bottom view thereof;
FIG. 13 is a front view thereof; and,
FIG. 14 is a rear view thereof.
The broken lines in the drawings depict portions of the glass joint with plunger that form no part of the claimed design.

(56) **References Cited**
U.S. PATENT DOCUMENTS
D652,571 S * 1/2012 Shenassa D27/163
D688,415 S * 8/2013 Kim D27/101
D723,216 S * 2/2015 Chen D27/101
D724,779 S * 3/2015 Liu D27/101
D790,122 S * 6/2017 Hawes D27/101
D813,448 S * 3/2018 Servutas D27/167
D814,103 S * 3/2018 Levinson D27/101
9,968,127 B2 * 5/2018 Han A24F 1/28
D828,549 S * 9/2018 Gonzalez D24/127
D855,881 S * 8/2019 Hawes D27/194
D865,278 S * 10/2019 Chen D27/167
D869,750 S * 12/2019 Zhang D27/162

1 Claim, 6 Drawing Sheets



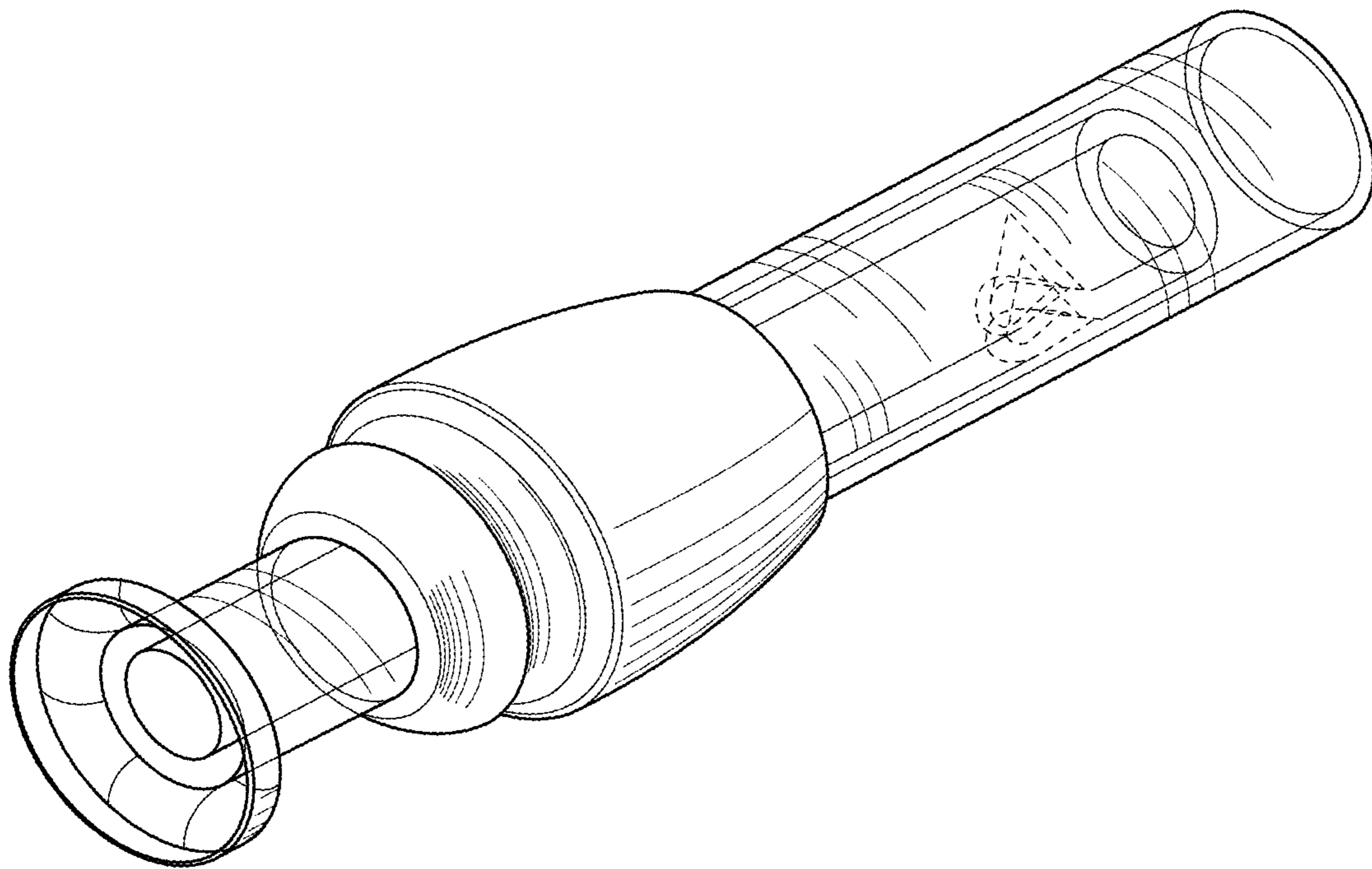


FIG. 1

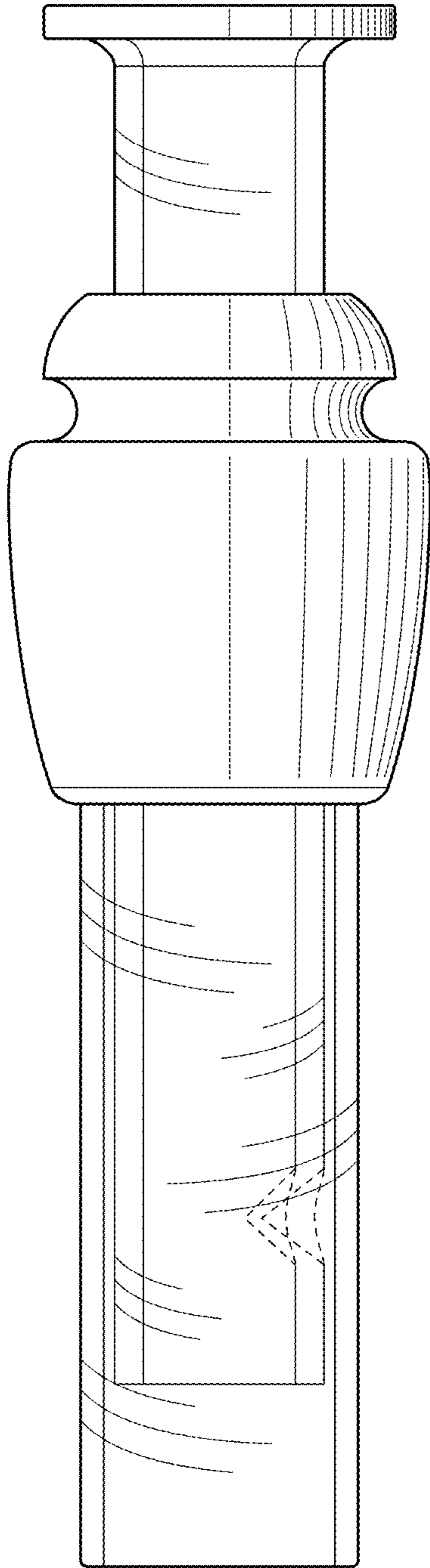


FIG. 2

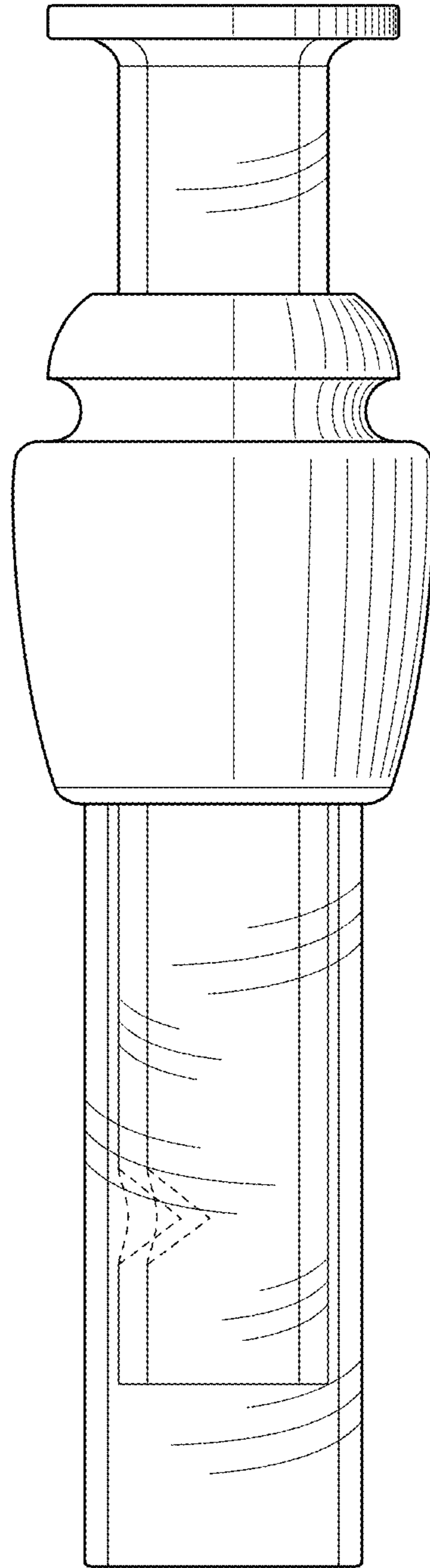


FIG. 3

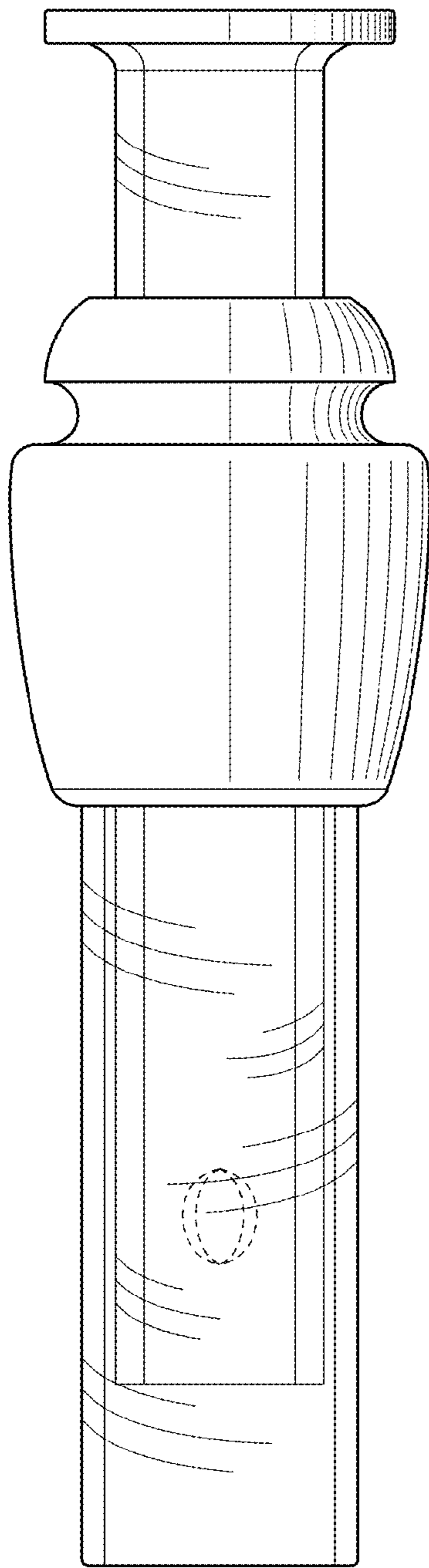


FIG. 4

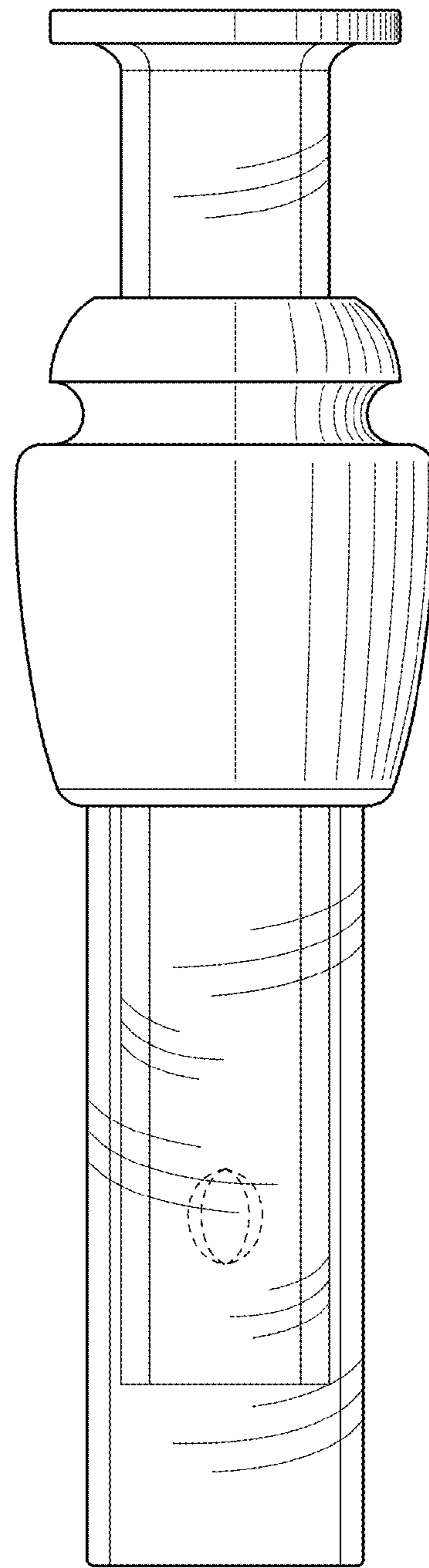


FIG. 5

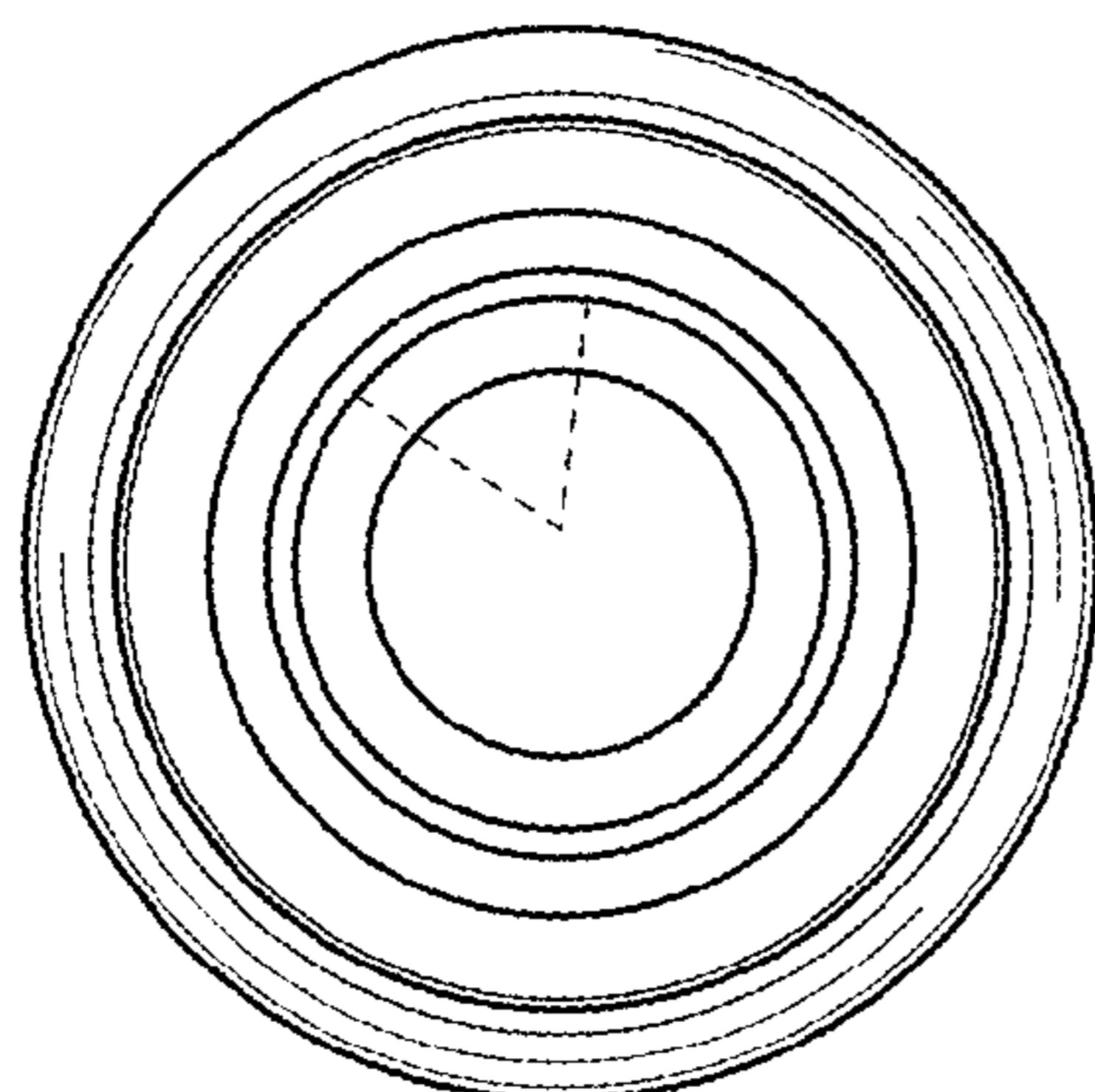


FIG. 6

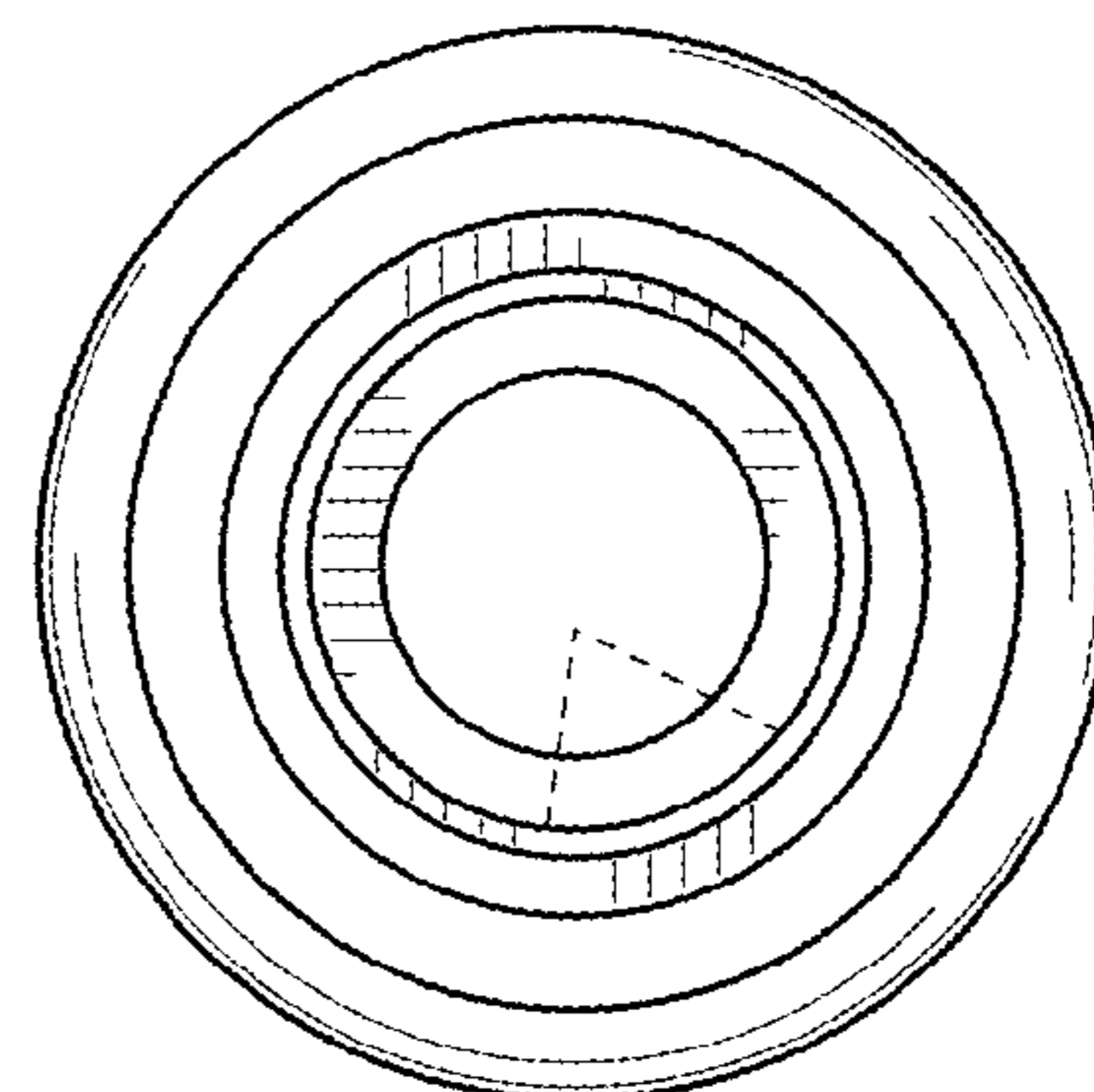


FIG. 7

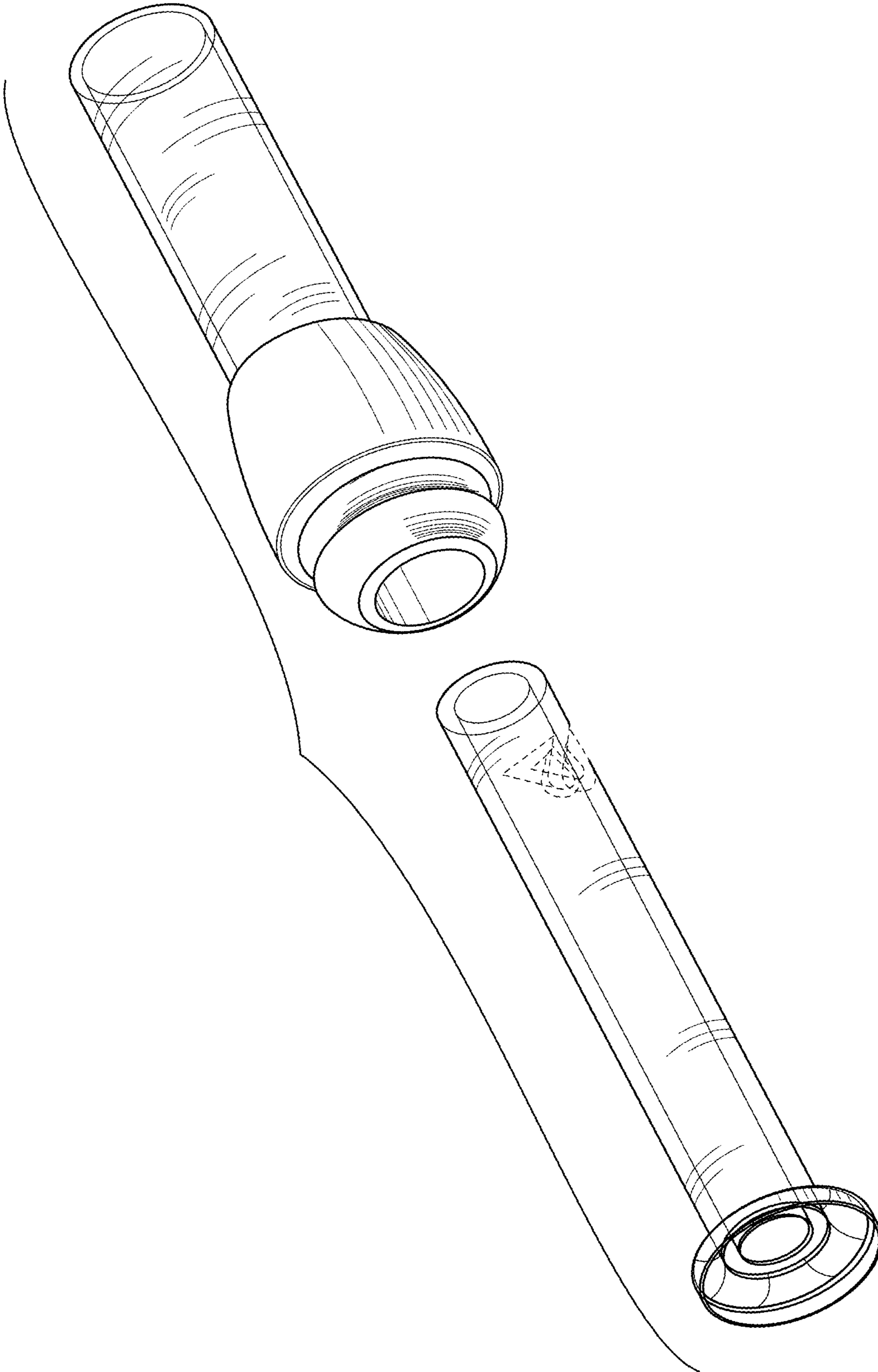


FIG. 8

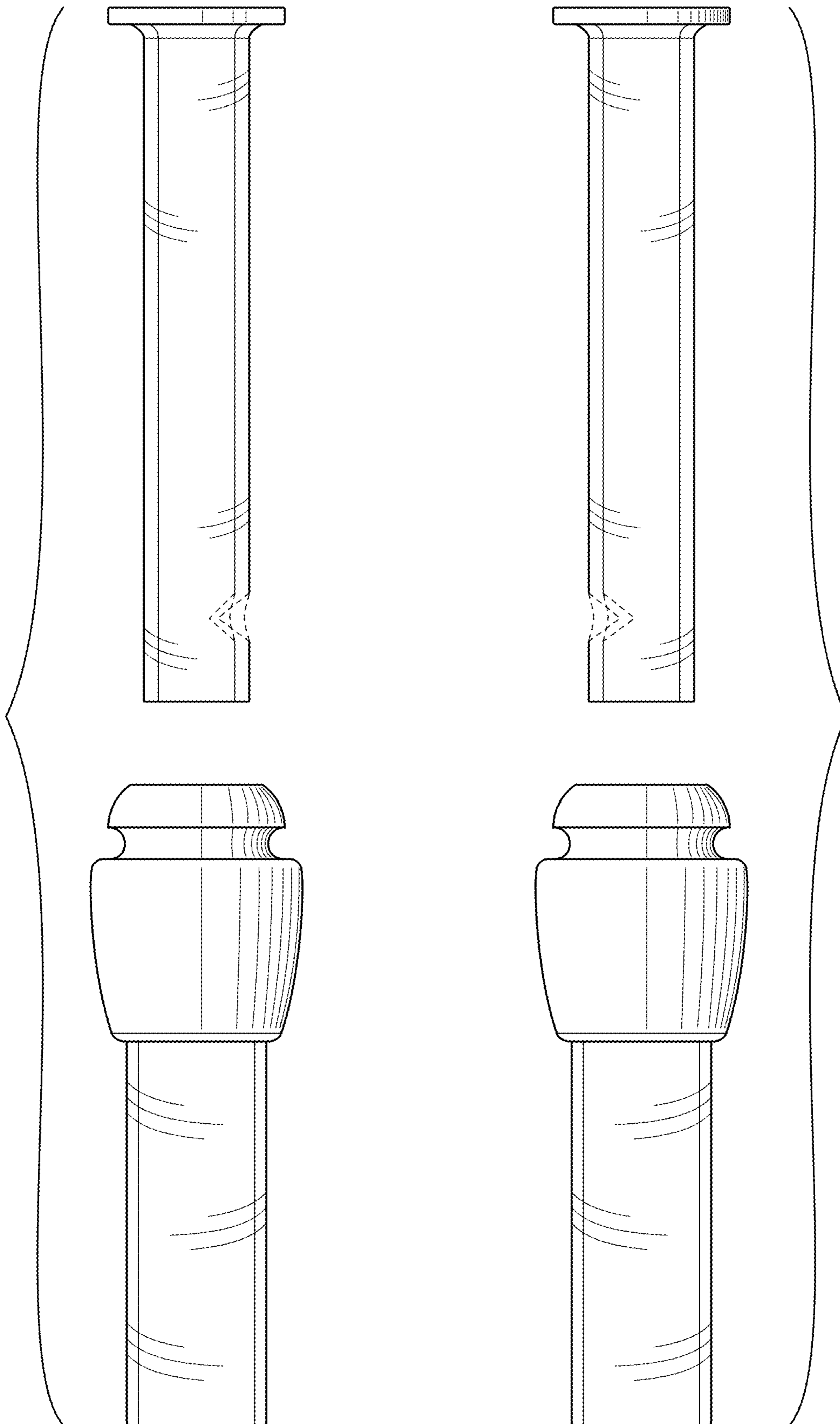


FIG. 9

FIG. 10

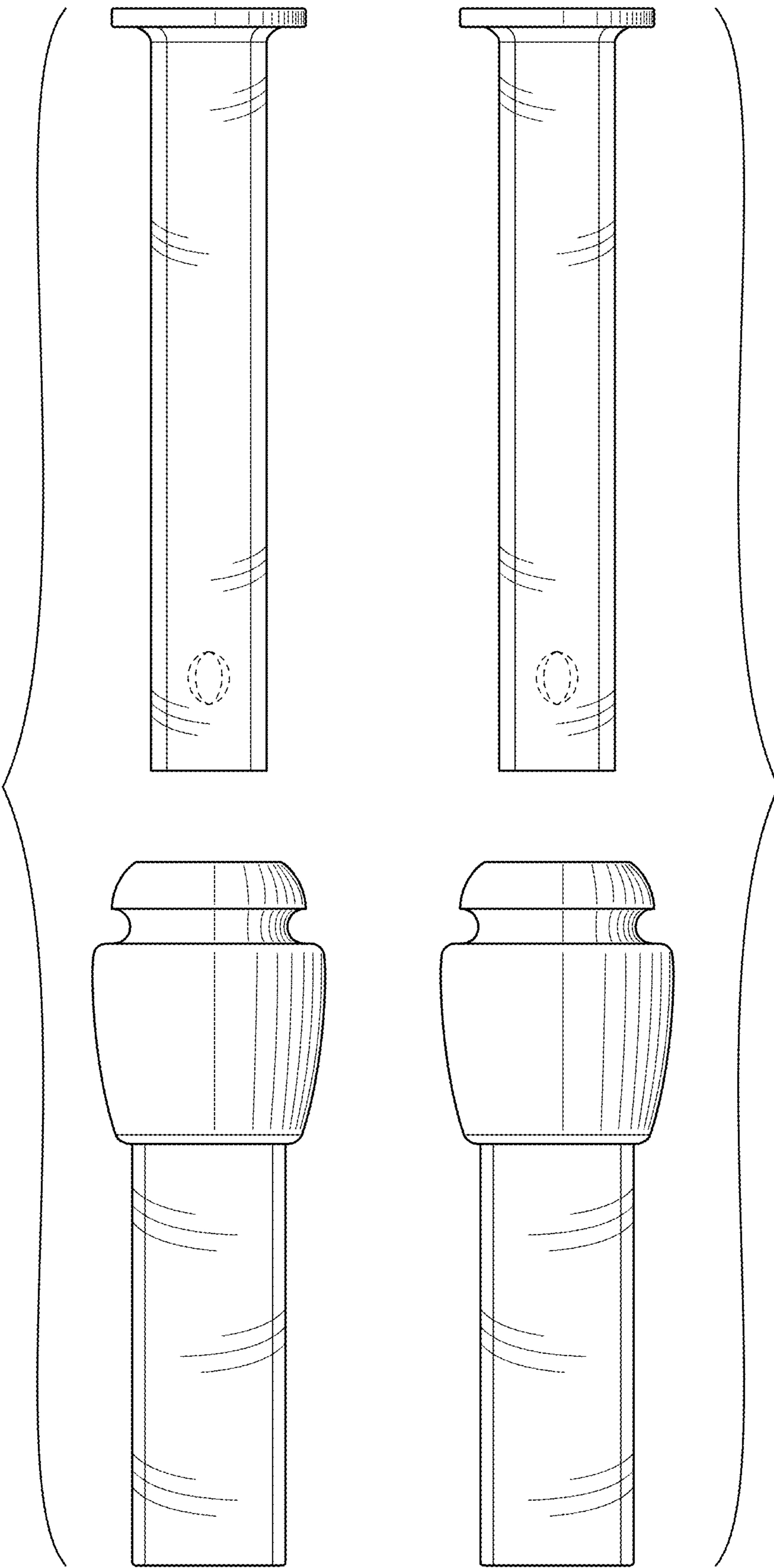


FIG. 11

FIG. 12

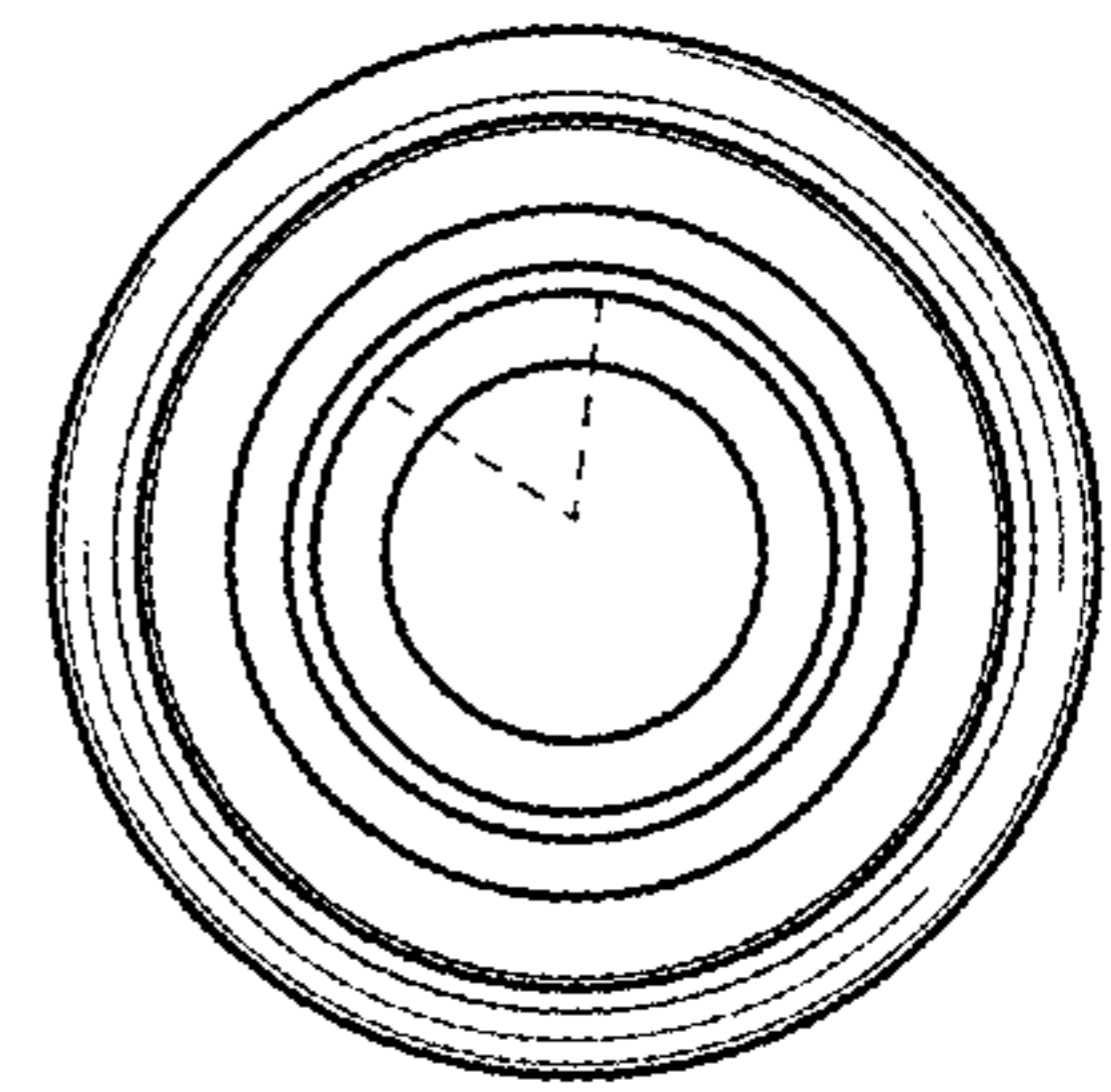


FIG. 13

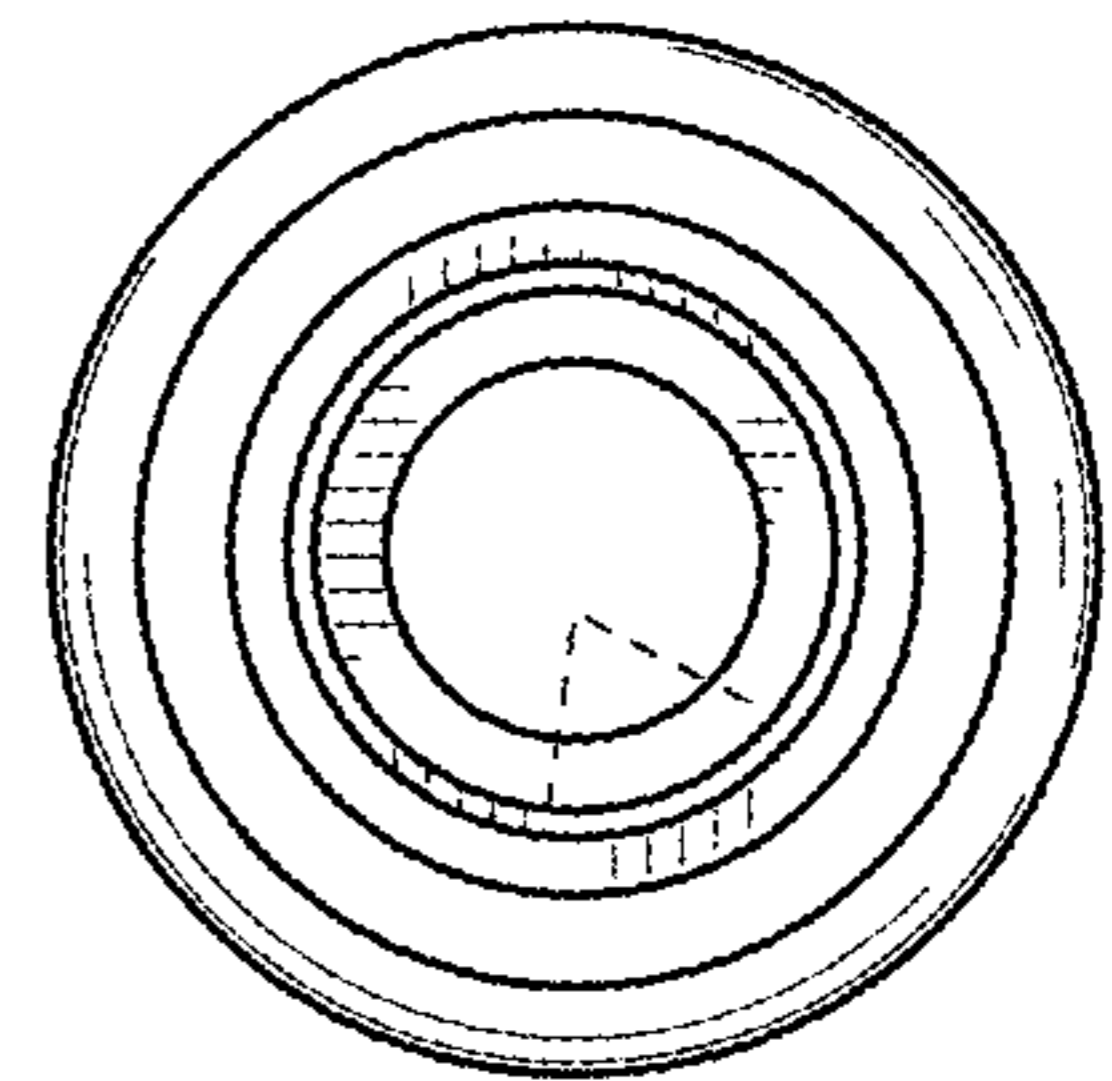


FIG. 14