



US00D910228S

(12) **United States Design Patent** (10) **Patent No.:** **US D910,228 S**  
**Verfuert** (45) **Date of Patent:** **\*\* Feb. 9, 2021**

(54) **LENS ASSEMBLY**  
(71) Applicant: **Energy Bank Incorporated,**  
Manitowoc, WI (US)  
(72) Inventor: **Neal R. Verfuert**, Manitowoc, WI  
(US)  
(73) Assignee: **Energy Bank Incorporated,**  
Manitowoc, WI (US)  
(\*\*) Term: **15 Years**

10,746,388 B2 \* 8/2020 Workman ..... F21V 21/16  
2009/0219732 A1 \* 9/2009 Gingrich, III ..... F21V 29/773  
362/555  
2011/0216546 A1 \* 9/2011 Lombardi ..... B23P 11/00  
362/365  
2012/0187817 A1 \* 7/2012 Chuang ..... F21K 9/232  
313/46  
2013/0043781 A1 \* 2/2013 Wang ..... F21V 21/096  
313/46  
2016/0116147 A1 \* 4/2016 Liang ..... F21S 8/043  
362/147  
2020/0248898 A1 \* 8/2020 Chen ..... F21V 23/0435

(21) Appl. No.: **29/667,464**  
(22) Filed: **Oct. 22, 2018**  
(51) **LOC (13) Cl.** ..... **26-05**  
(52) **U.S. Cl.**  
USPC ..... **D26/124; D26/118**  
(58) **Field of Classification Search**  
USPC ..... D26/5, 24, 36, 72, 113, 118, 119, 120,  
D26/123, 124, 128; D10/114.1, 114.3;  
D8/333, 342, 344, 346, 349, 352, 367  
CPC ..... F21V 15/01; F21V 15/02; F21V 15/012;  
F21V 1/00; F21V 1/12; F21V 1/14; F21V  
1/143; F21V 3/00; F21V 3/02; F21V  
3/0625; F21V 17/00; F21V 17/18; F21V  
17/104; F21V 13/08; F21S 6/005  
See application file for complete search history.

(56) **References Cited**  
U.S. PATENT DOCUMENTS  
D636,117 S \* 4/2011 Kim ..... D26/138  
8,985,817 B1 \* 3/2015 Schalch, III ..... F21V 15/02  
362/376  
D761,484 S \* 7/2016 Laukkanen ..... D26/118  
D803,470 S \* 11/2017 Austin, III ..... D26/118  
D854,737 S \* 7/2019 Moore ..... D26/124  
D862,779 S \* 10/2019 Anderson ..... D26/118  
D886,335 S \* 6/2020 Zhu ..... D26/24

**OTHER PUBLICATIONS**

LEDiL., FN14720\_STELLA-FRESNEL data sheet, published Dec. 9, 2018, found at [https://www.ledil.com/product-card/?product=FN14720\\_STELLA-FRESNEL](https://www.ledil.com/product-card/?product=FN14720_STELLA-FRESNEL).

\* cited by examiner

*Primary Examiner* — Wan Laymon  
*Assistant Examiner* — Clint A Samuel  
(74) *Attorney, Agent, or Firm* — Quarles & Brady LLP

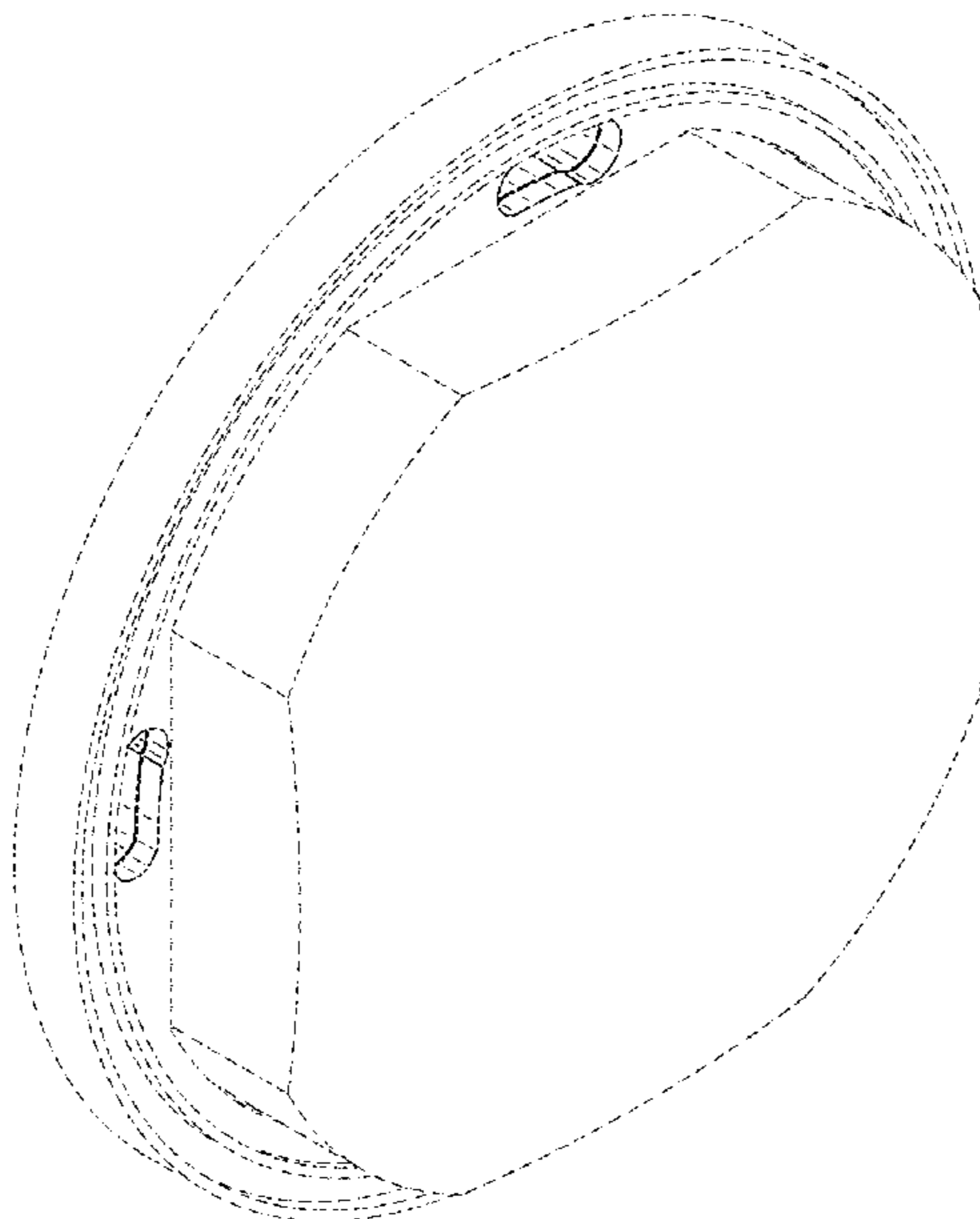
(57) **CLAIM**

The ornamental design for a lens assembly, as shown and described.

**DESCRIPTION**

FIG. 1 is a perspective view of a lens assembly;  
FIG. 2 is a top plan view of FIG. 1;  
FIG. 3 is a bottom plan view of FIG. 1;  
FIG. 4 is a right elevation view of FIG. 1, with the left, front and rear elevation views are identical; and,  
FIG. 5 is an exploded perspective view of FIG. 1.  
The broken lines shown in the drawings are for the purpose of illustrating portions of the lens assembly and form no part of the claimed design.

**1 Claim, 5 Drawing Sheets**



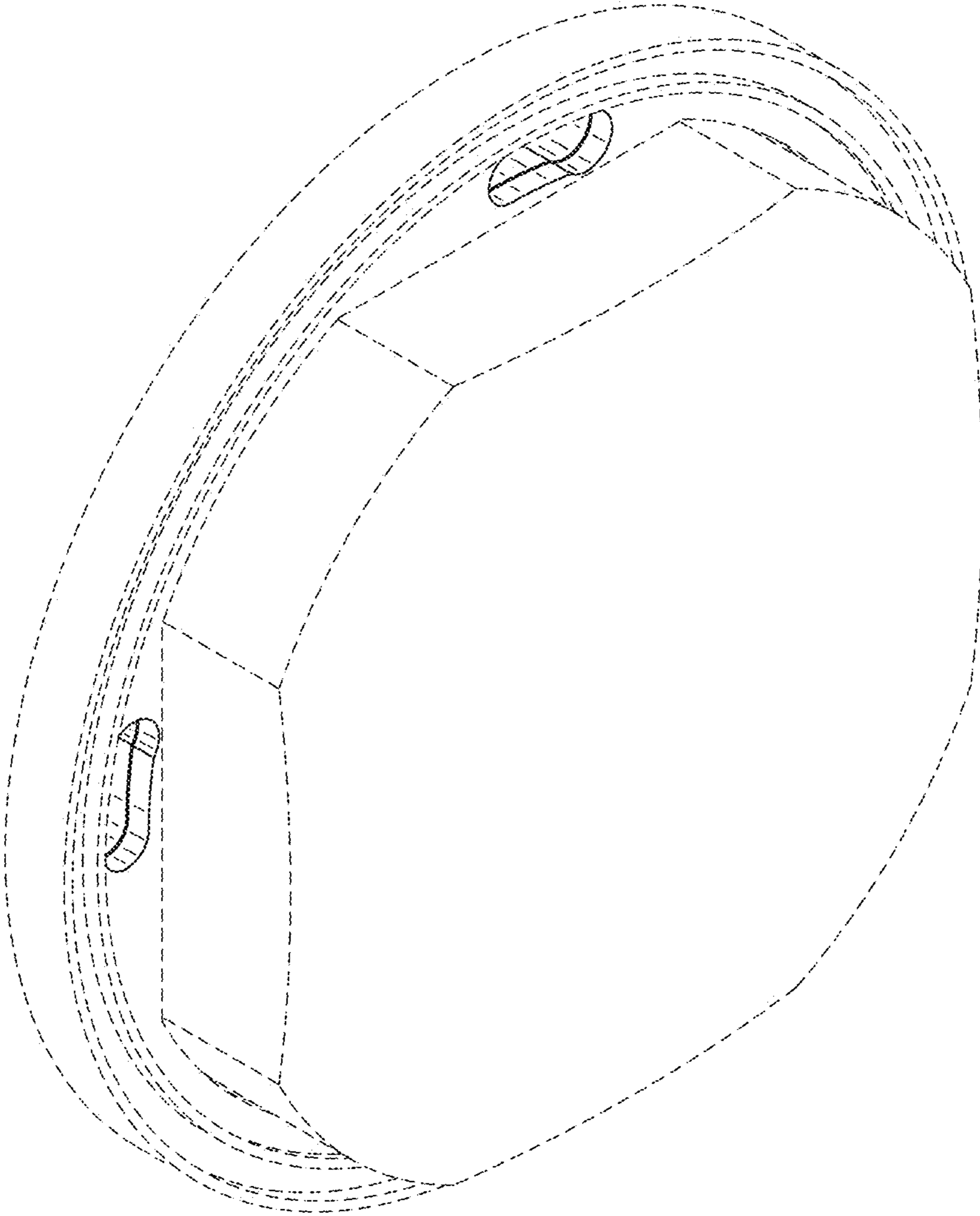


FIG. 1

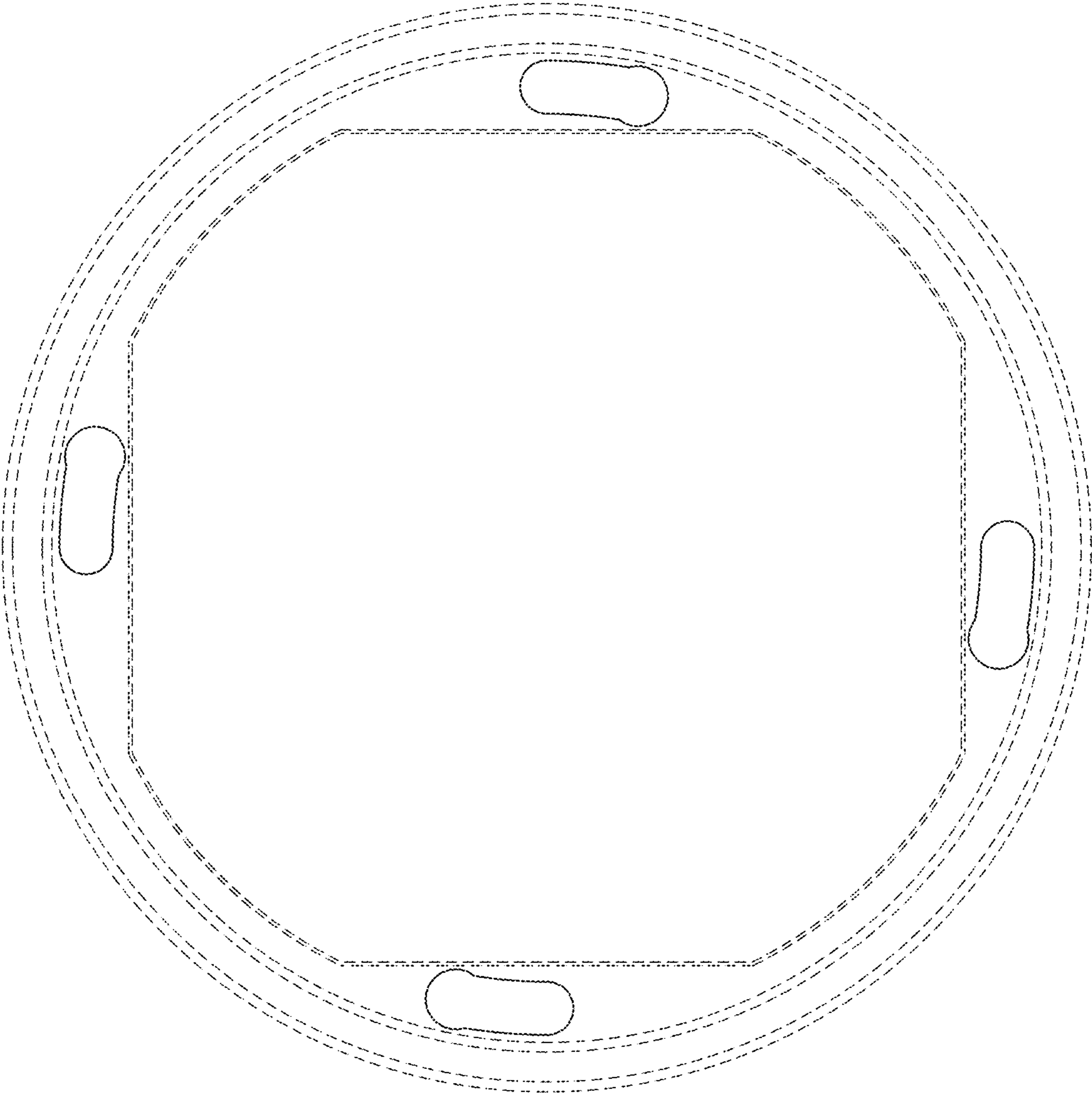


FIG. 2

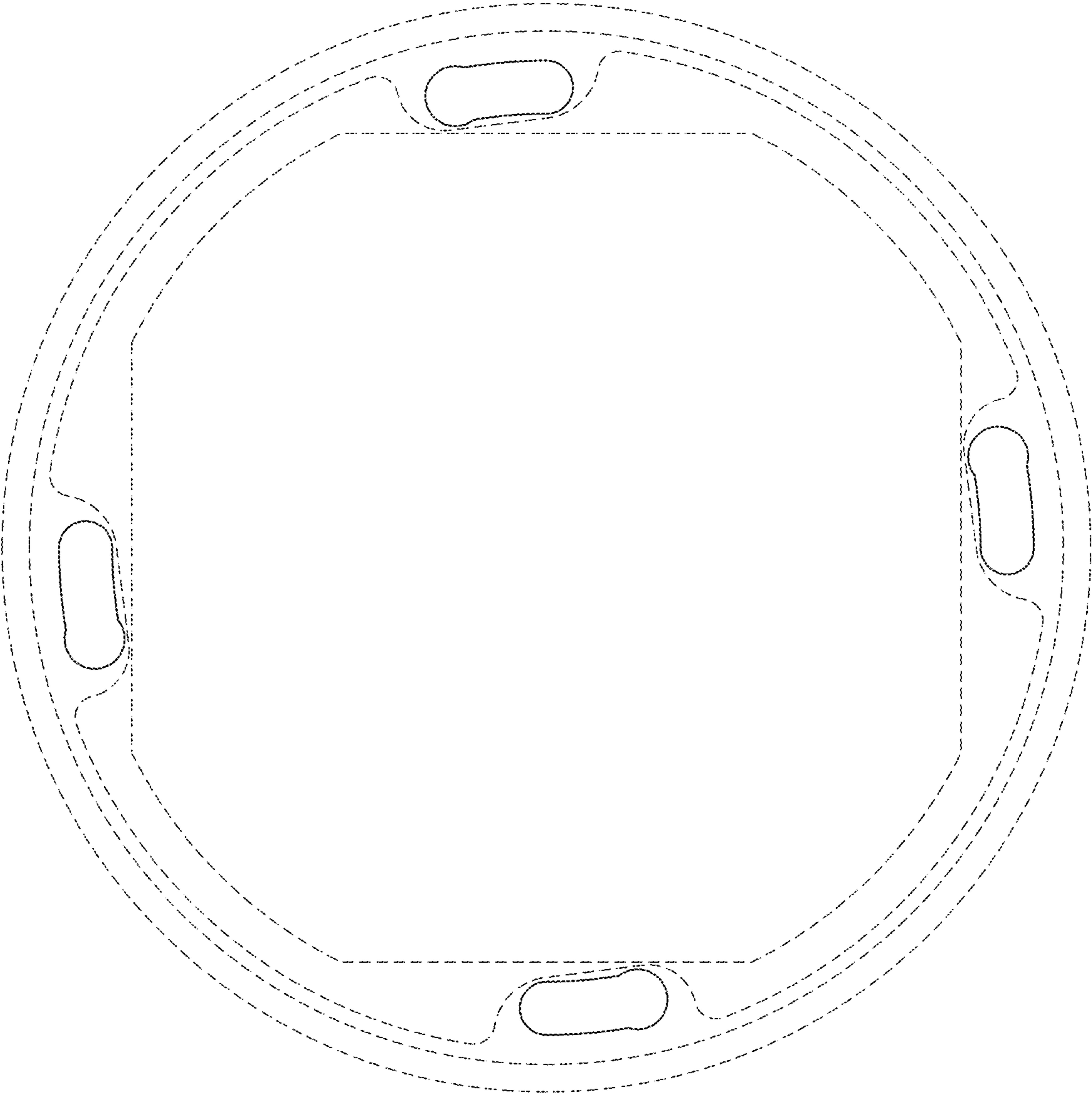


FIG. 3

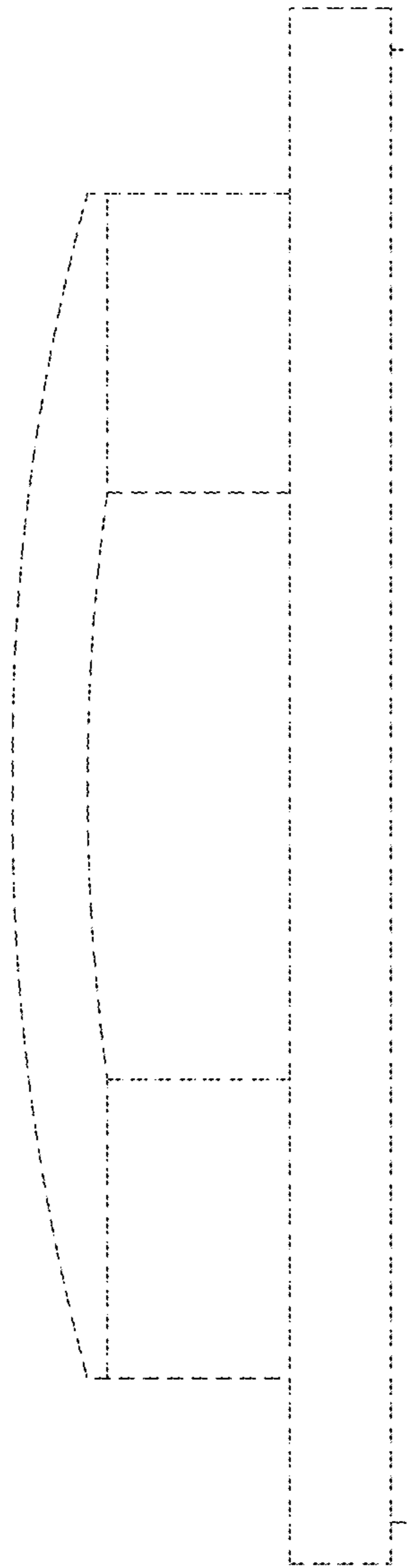


FIG. 4

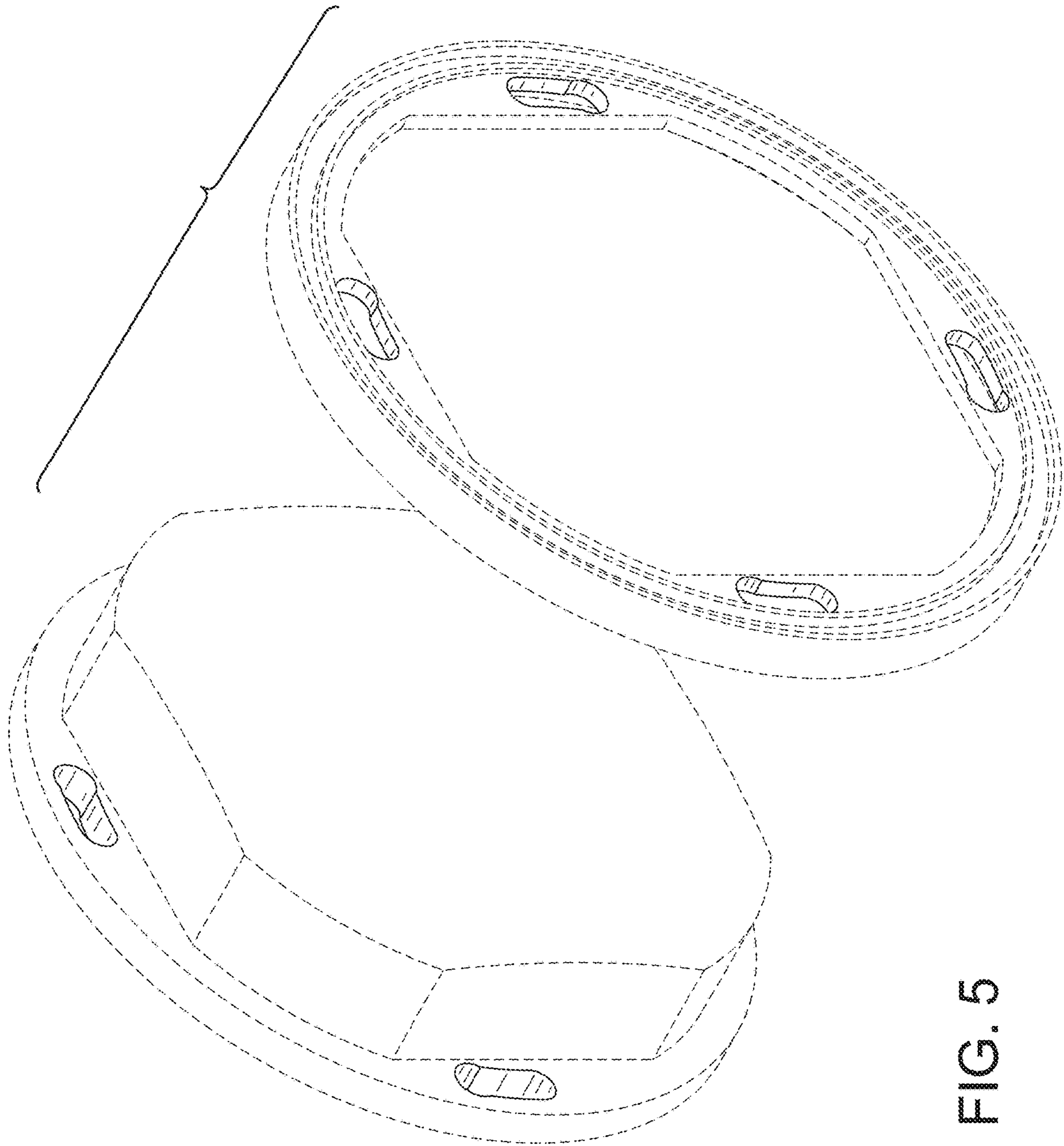


FIG. 5