



US00D910225S

(12) **United States Design Patent** (10) **Patent No.:** **US D910,225 S**  
**Bernard et al.** (45) **Date of Patent:** **\*\* Feb. 9, 2021**

(54) **LED LUMINAIRE**

(71) Applicant: **Ideal Industries Lighting LLC**,  
Durham, NC (US)

(72) Inventors: **Randall Levy Bernard**, Durham, NC  
(US); **Eric Marsh**, Raleigh, NC (US)

(73) Assignee: **Ideal Industries Lighting LLC**,  
Sycamore, IL (US)

(\*\*) Term: **15 Years**

(21) Appl. No.: **29/665,261**

(22) Filed: **Oct. 2, 2018**

(51) **LOC (13) Cl.** ..... **26-03**

(52) **U.S. Cl.**  
USPC ..... **D26/76**

(58) **Field of Classification Search**  
USPC ..... D26/72, 80, 85, 86, 87, 92, 76  
(Continued)

(56) **References Cited**

**U.S. PATENT DOCUMENTS**

D232,257 S \* 7/1974 Paulson ..... D26/80  
D239,780 S \* 5/1976 Paulson ..... D26/102  
(Continued)

**OTHER PUBLICATIONS**

4ft 40W Linkable LED Architectural Linear Light For Office by  
Zoplite, available at [hykolity.com](http://hykolity.com) as early as Jan. 3, 2018. (Year:  
2018).\*

(Continued)

*Primary Examiner* — Clare E Heflin  
(74) *Attorney, Agent, or Firm* — Myers Bigel, P.A.

(57) **CLAIM**

We claim the ornamental designs for a LED luminaire, as  
shown and described.

**DESCRIPTION**

FIG. 1 is a front view showing an embodiment of our new  
design for a LED luminaire, the back view being identical;

FIG. 2 is a right side view of the LED luminaire of FIG. 1,  
the left side view being identical;

FIG. 3 is a top view of the LED luminaire of FIG. 1;

FIG. 4 is a bottom view of the LED luminaire of FIG. 1;

FIG. 5 is a first perspective view of the LED luminaire of  
FIG. 1;

FIG. 6 is a second perspective view of the LED luminaire of  
FIG. 1;

FIG. 7 is a front view showing another embodiment of our  
new design for a LED luminaire, the back view being  
identical;

FIG. 8 is a right side view of the LED luminaire of FIG. 7,  
the left side view being identical;

FIG. 9 is a top view of the LED luminaire of FIG. 7;

FIG. 10 is a bottom view of the LED luminaire of FIG. 7;

FIG. 11 is a first perspective view of the LED luminaire of  
FIG. 7;

FIG. 12 is a second perspective view of the LED luminaire  
of FIG. 7;

FIG. 13 is a front view showing another embodiment of our  
new design for a LED Luminaire, the back view being  
identical;

FIG. 14 is a right side view of the LED luminaire of FIG. 13,  
the left side view being identical;

FIG. 15 is a top view of the LED luminaire of FIG. 13

FIG. 16 is a bottom view of the LED luminaire of FIG. 13

FIG. 17 is a first perspective view of the LED luminaire of  
FIG. 13

FIG. 18 is a second perspective view of the LED luminaire  
of FIG. 13

FIG. 19 is a front view showing another embodiment of our  
new design for a LED luminaire, the back view being  
identical;

FIG. 20 is a right side view of the LED luminaire of FIG. 19,  
the left side view being identical;

FIG. 21 is a top view of the LED luminaire of FIG. 19;

FIG. 22 is a bottom view of the LED luminaire of FIG. 19;

FIG. 23 is a first perspective view of the LED luminaire of  
FIG. 19;

FIG. 24 is a second perspective view of the LED luminaire  
of FIG. 19;

(Continued)

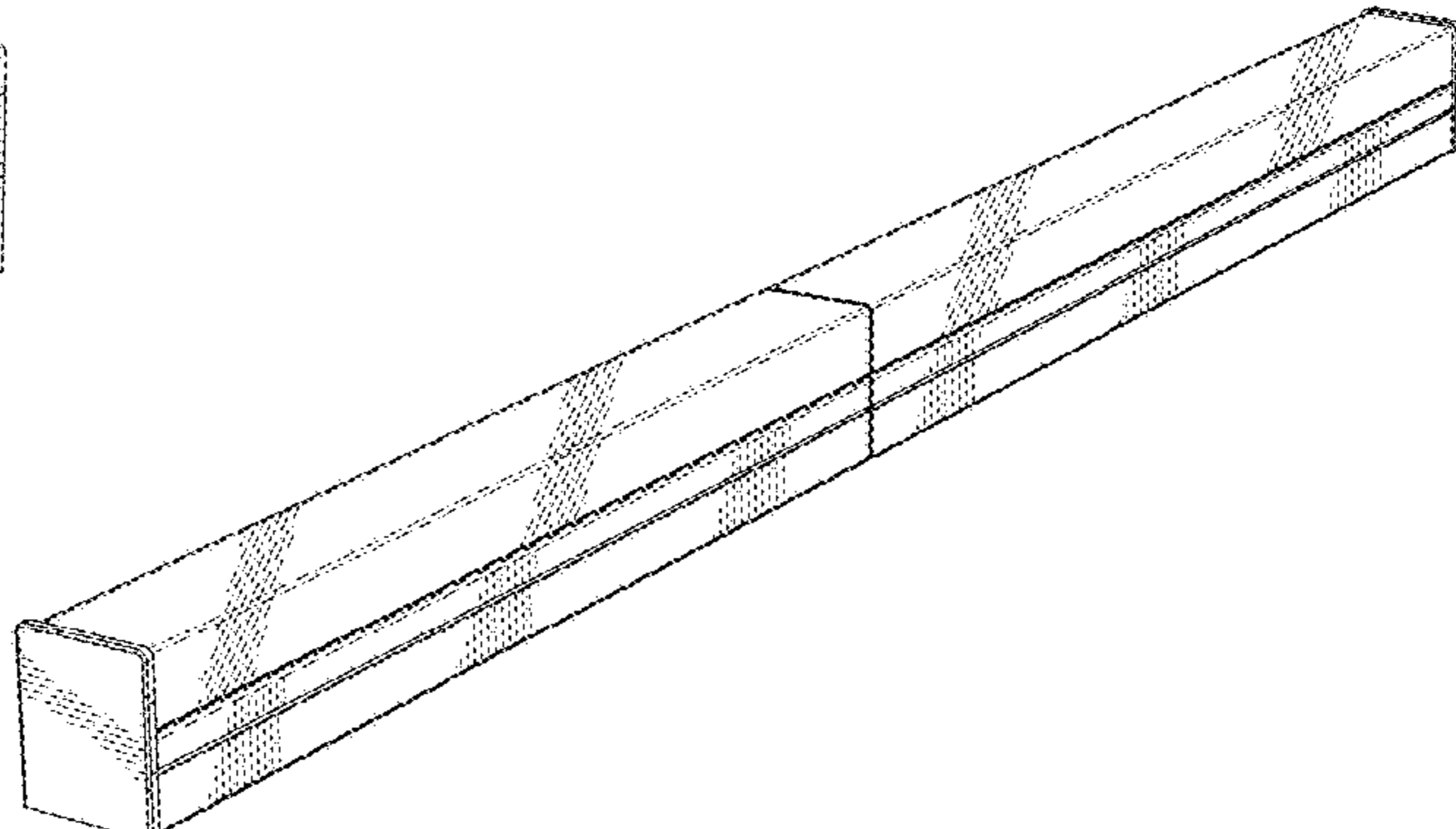
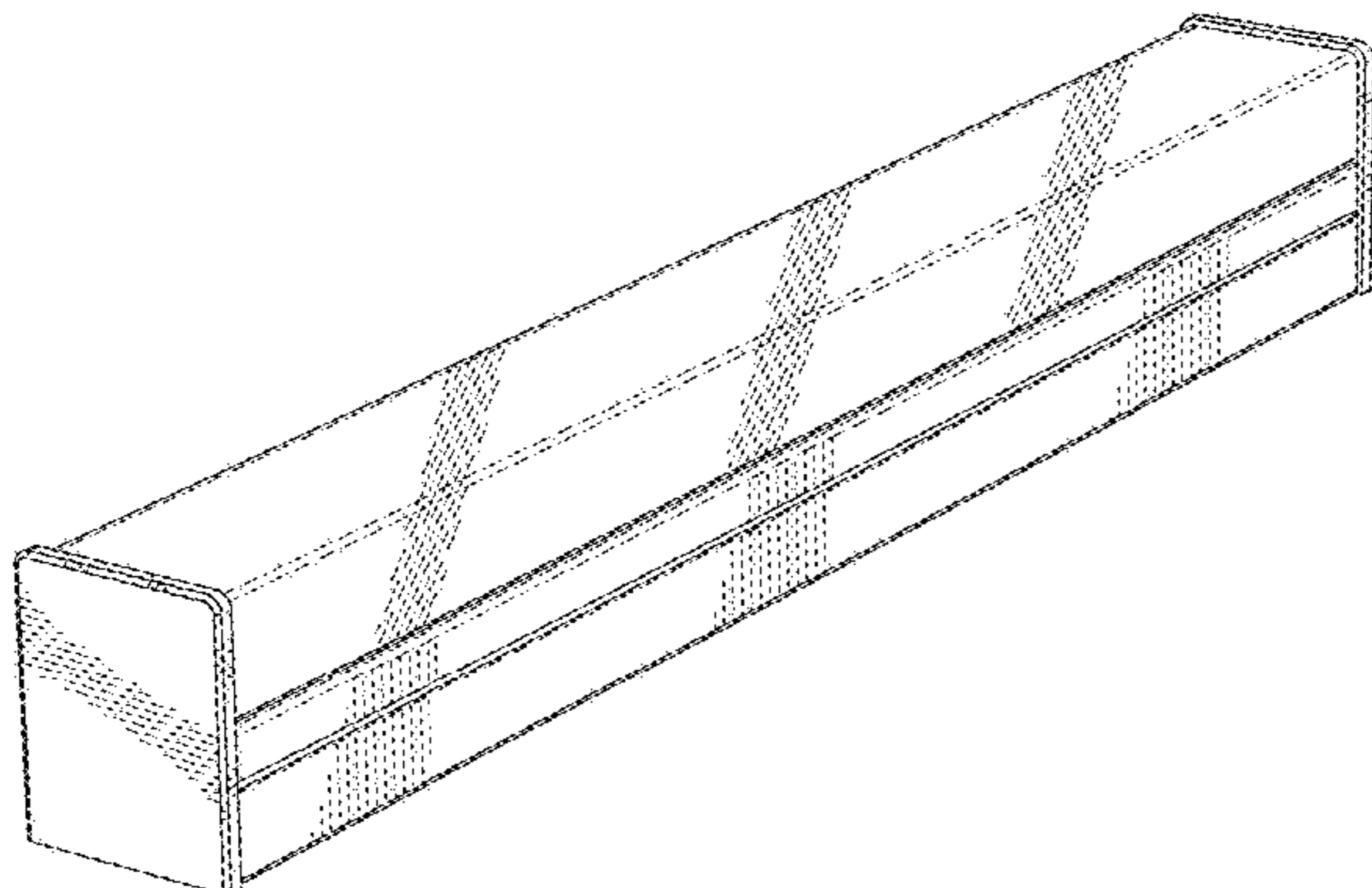


FIG. 25 is a front view showing another embodiment of our new design for a LED luminaire, the back view being identical;  
 FIG. 26 is a right side view of the LED luminaire of FIG. 25, the left side view being identical;  
 FIG. 27 is a top view of the LED luminaire of FIG. 25;  
 FIG. 28 is a bottom view of the LED luminaire of FIG. 25;  
 FIG. 29 is a first perspective view of the LED luminaire of FIG. 25;  
 FIG. 30 is a second perspective view of the LED luminaire of FIG. 25;  
 FIG. 31 is a front view showing another embodiment of our new design for a LED luminaire, the back view being identical;  
 FIG. 32 is a right side view of the LED luminaire of FIG. 31, the left side view being identical;  
 FIG. 33 is a top view of the LED luminaire of FIG. 31;  
 FIG. 34 is a bottom view of the LED luminaire of FIG. 31;  
 FIG. 35 is a first perspective view of the LED luminaire of FIG. 31; and,  
 FIG. 36 is a second perspective view of the LED luminaire of FIG. 31.  
 The portions shown in broken lines are not part of the claimed design but show the environment in which the design is associated.

**1 Claim, 24 Drawing Sheets**

(58) **Field of Classification Search**  
 CPC .. F21S 8/033; F21S 8/035; F21S 8/036; F21S 8/046  
 See application file for complete search history.

(56)

**References Cited**

U.S. PATENT DOCUMENTS

D295,086	S	*	4/1988	Morten	.....	D26/76
D337,845	S	*	7/1993	Belic	.....	D26/76
D580,583	S	*	11/2008	Pfund	.....	D26/76
D599,945	S	*	9/2009	Pfund	.....	D26/76
D603,548	S	*	11/2009	Pei	.....	D26/76
D608,930	S	*	1/2010	Castelli	.....	D26/76
D619,292	S	*	7/2010	Pei	.....	D26/76
D629,553	S	*	12/2010	Gielen	.....	D26/76
D629,554	S	*	12/2010	Gielen	.....	D26/76
D662,643	S	*	6/2012	Takahashi	.....	D26/76
D695,443	S	*	12/2013	Kaule	.....	D26/76
D702,391	S	*	4/2014	Clark	.....	D26/76
D766,487	S	*	9/2016	Cai	.....	D26/76
D880,043	S	*	3/2020	Guerra	.....	D26/76
D881,439	S	*	4/2020	Schwartz	.....	D26/76
2012/0162974	A1	*	6/2012	Yu	.....	F21V 15/013 362/218
2015/0070883	A1	*	3/2015	Clark	.....	F21V 23/02 362/219

OTHER PUBLICATIONS

4ft Dimmable 40W LED Linear Light sold by A Royal Global at amazon.com Nov. 24, 2018. (Year: 2018).\*

LED Architectural Suspended Linear Channel Light Linkable by Zoplite at amazon.com Dec. 22, 2017. (Year: 2017).\*

\* cited by examiner

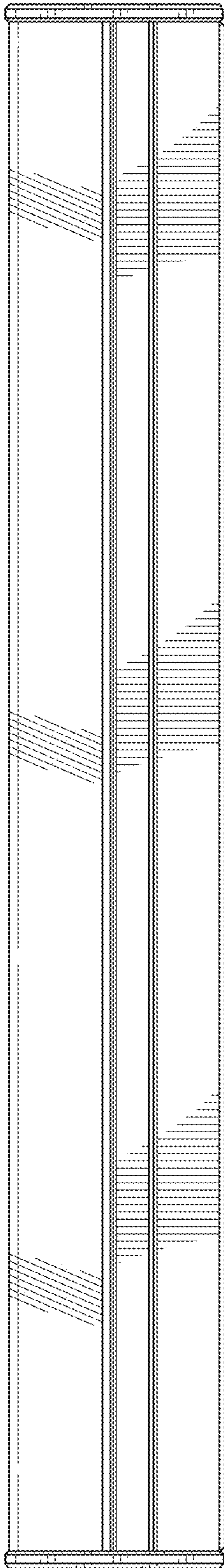


FIG. 1

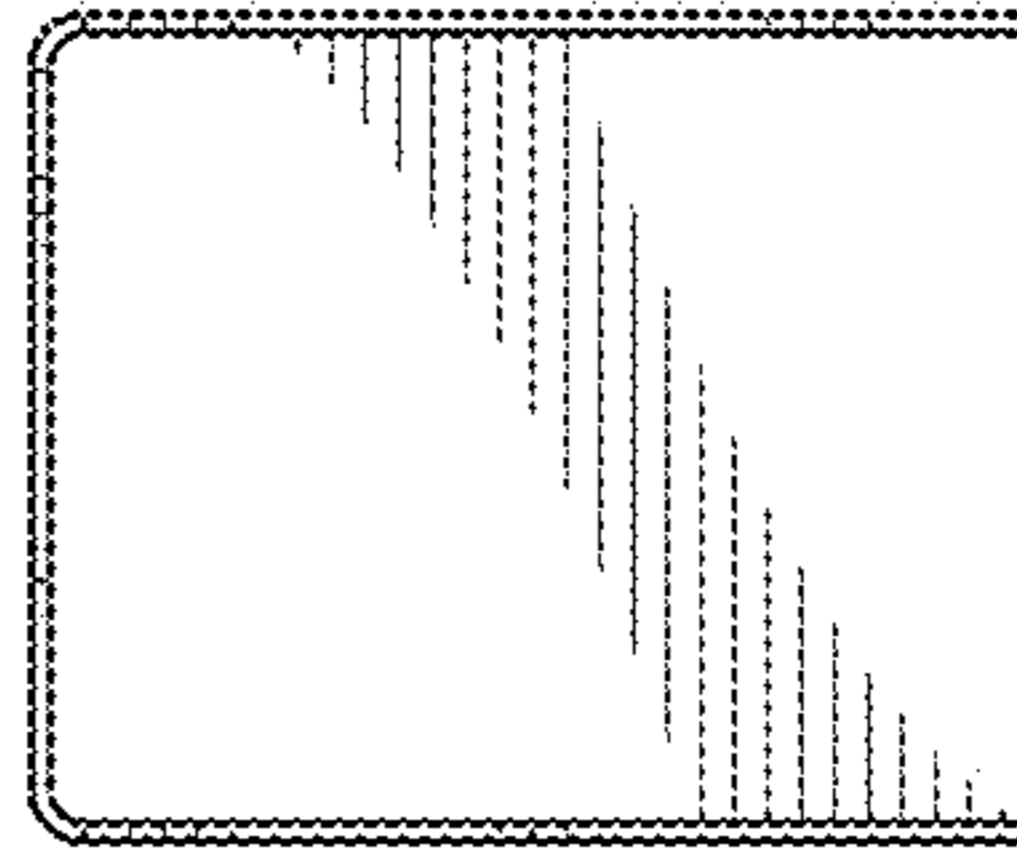


FIG. 2

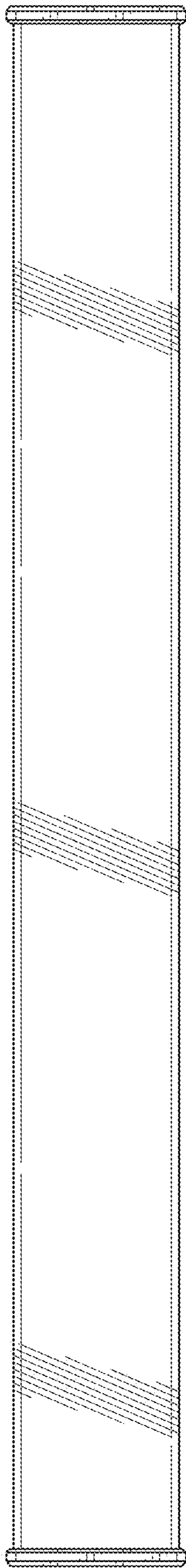


FIG. 3

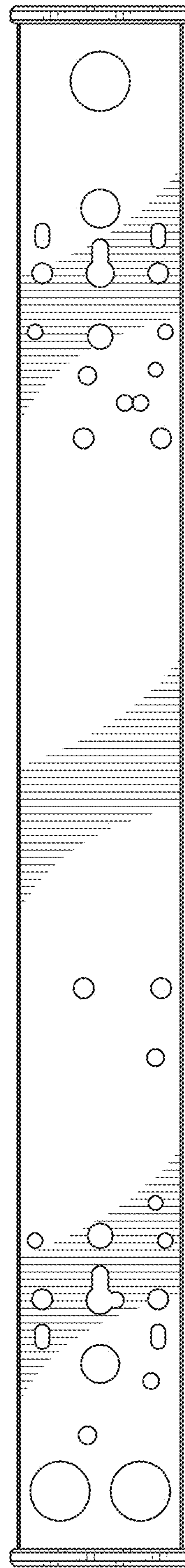


FIG. 4

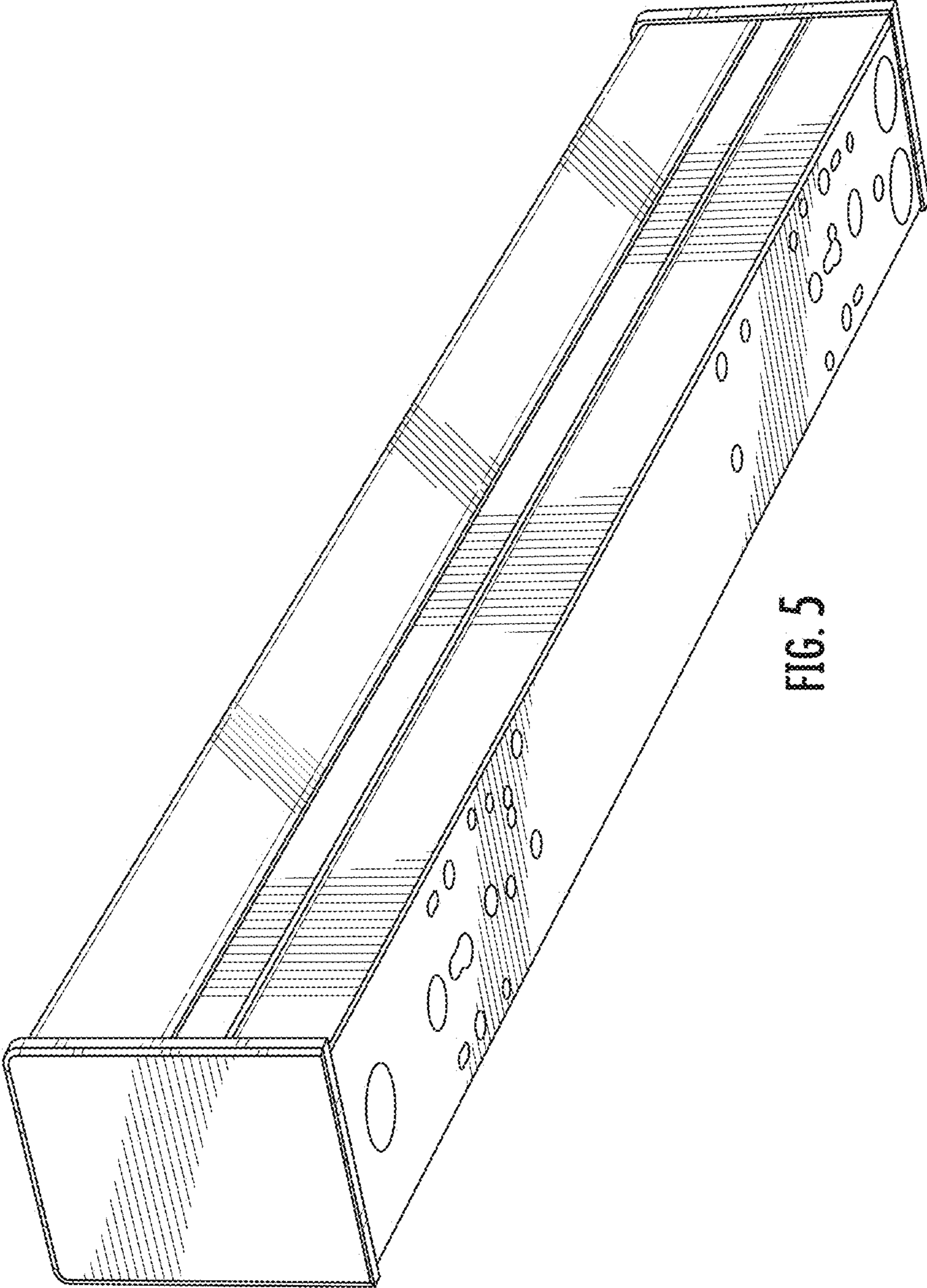


FIG. 5

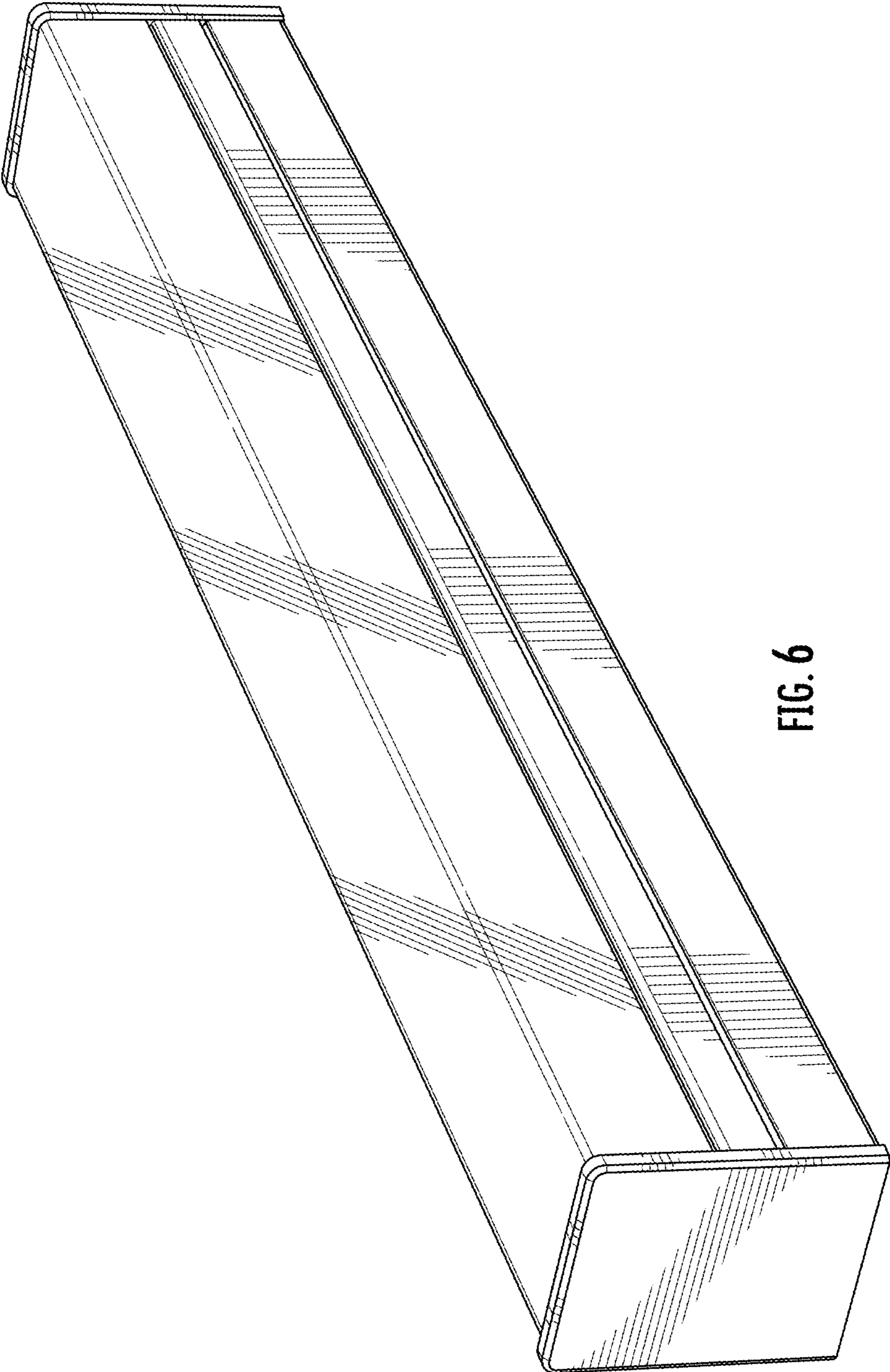


FIG. 6

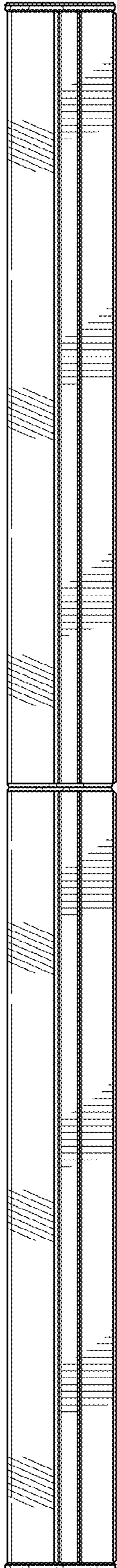


FIG. 7

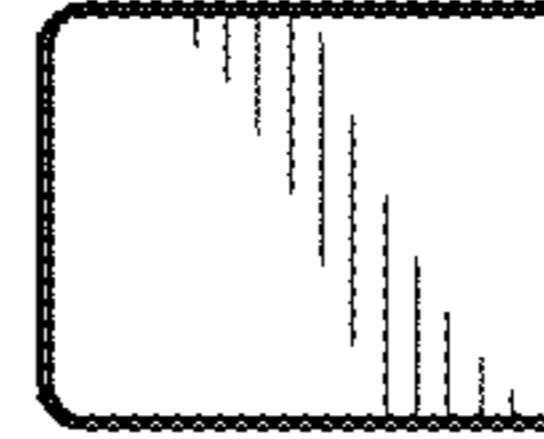


FIG. 8

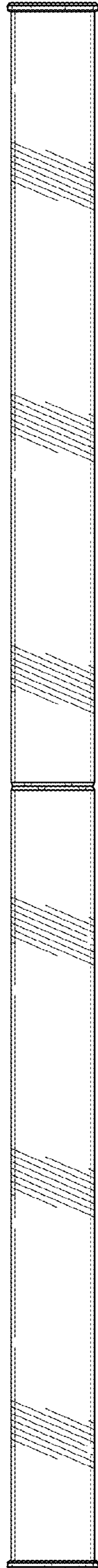


FIG. 9

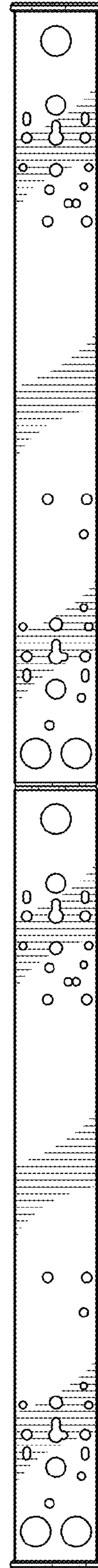


FIG. 10



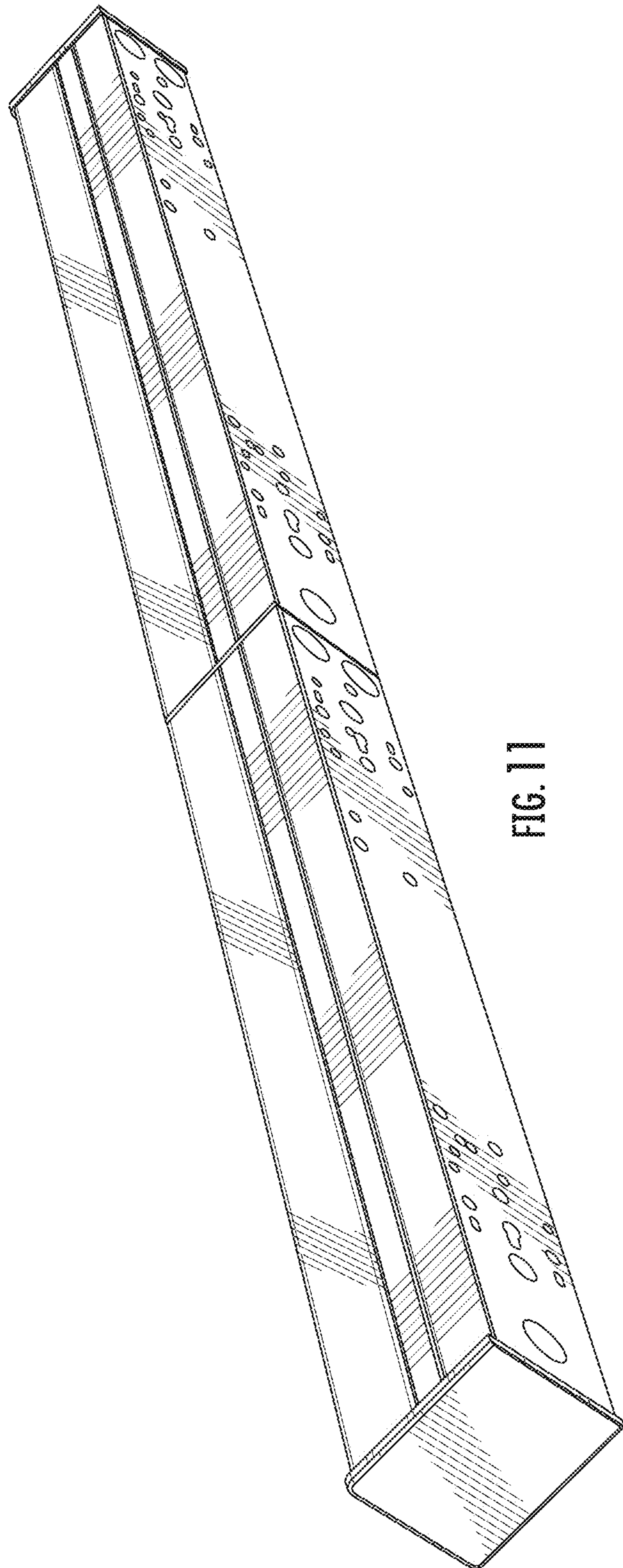


FIG. 11

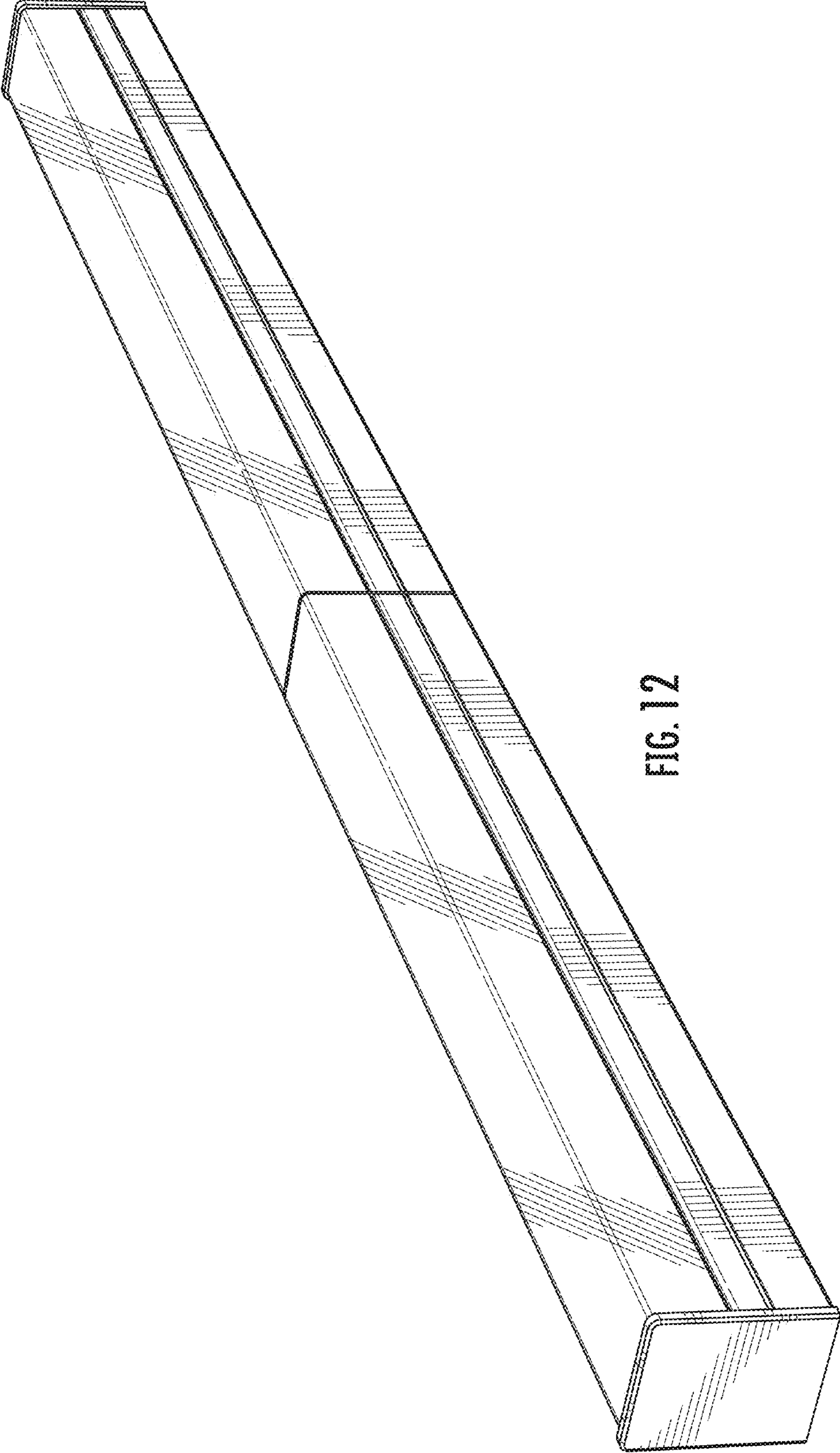


FIG. 12

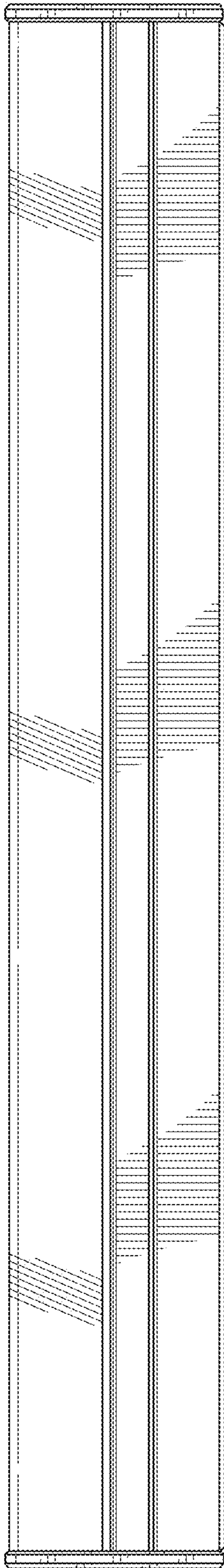


FIG. 13

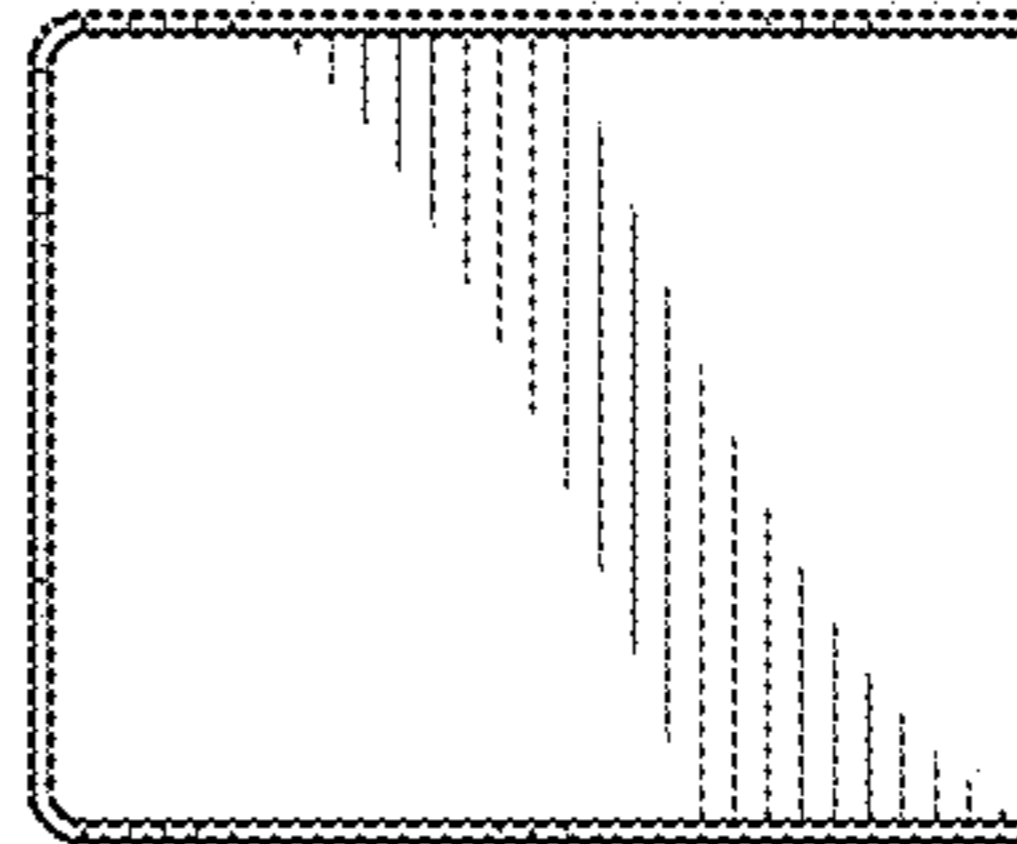


FIG. 14

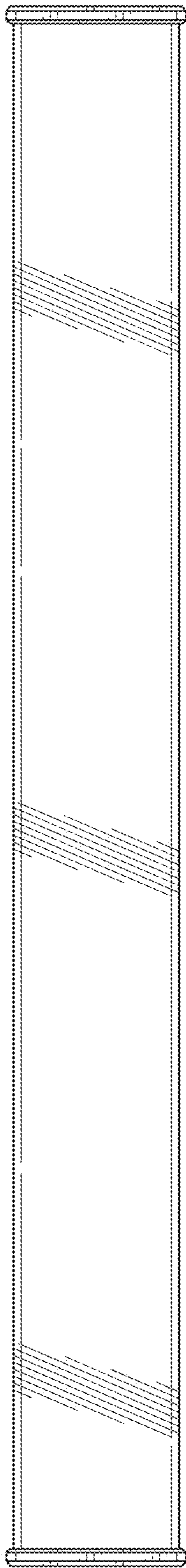


FIG. 15

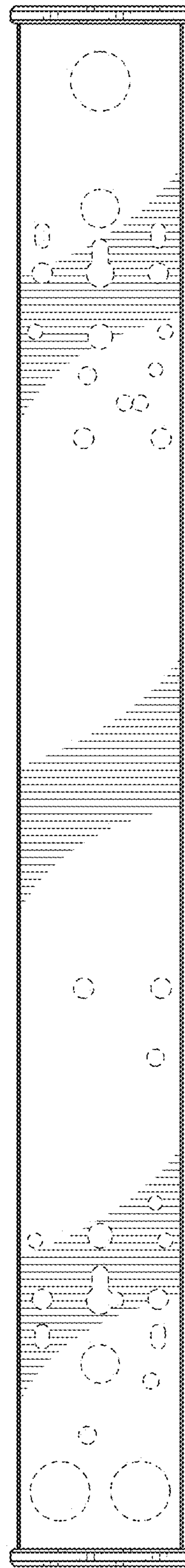


FIG. 16

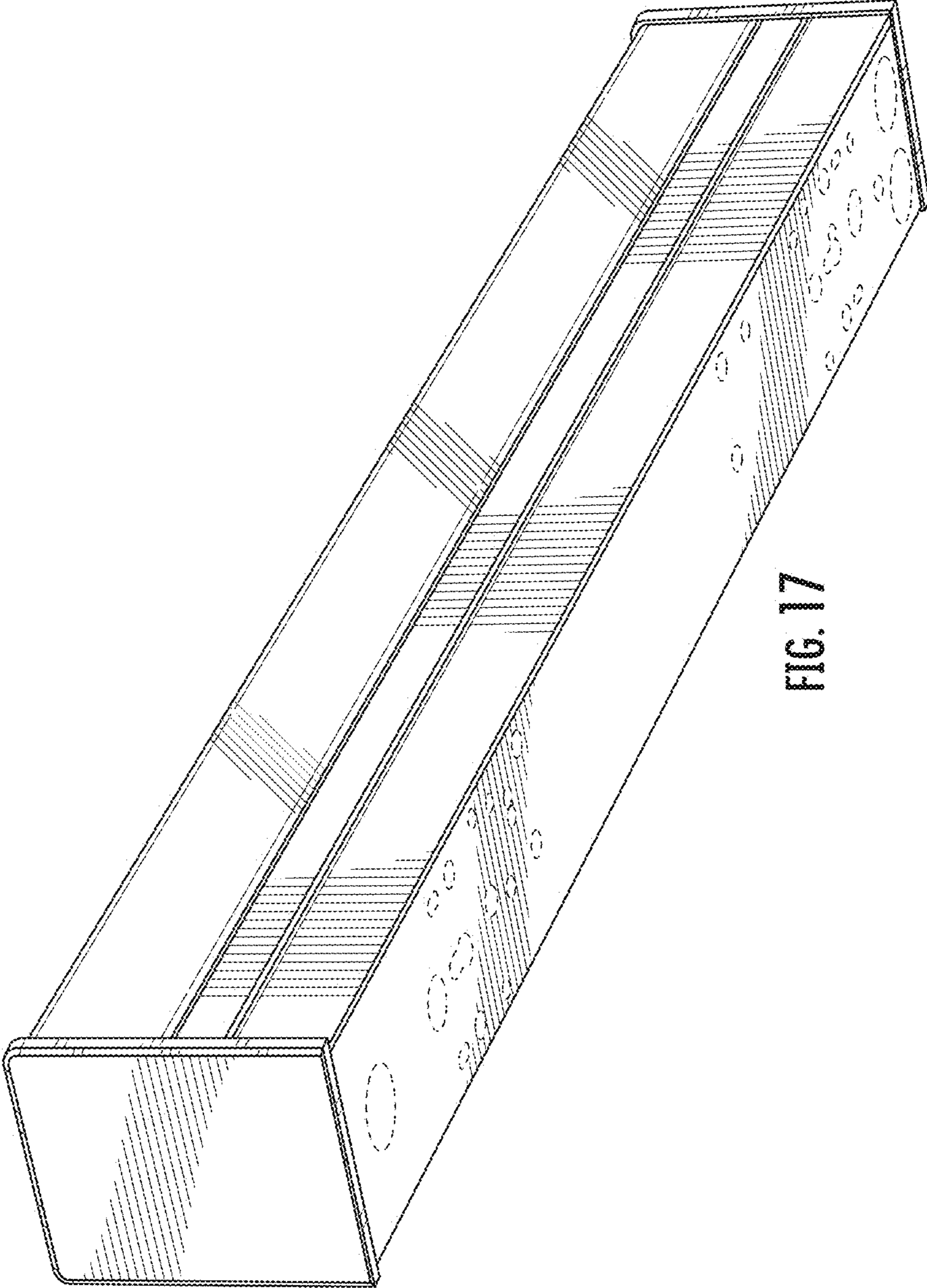


FIG. 17

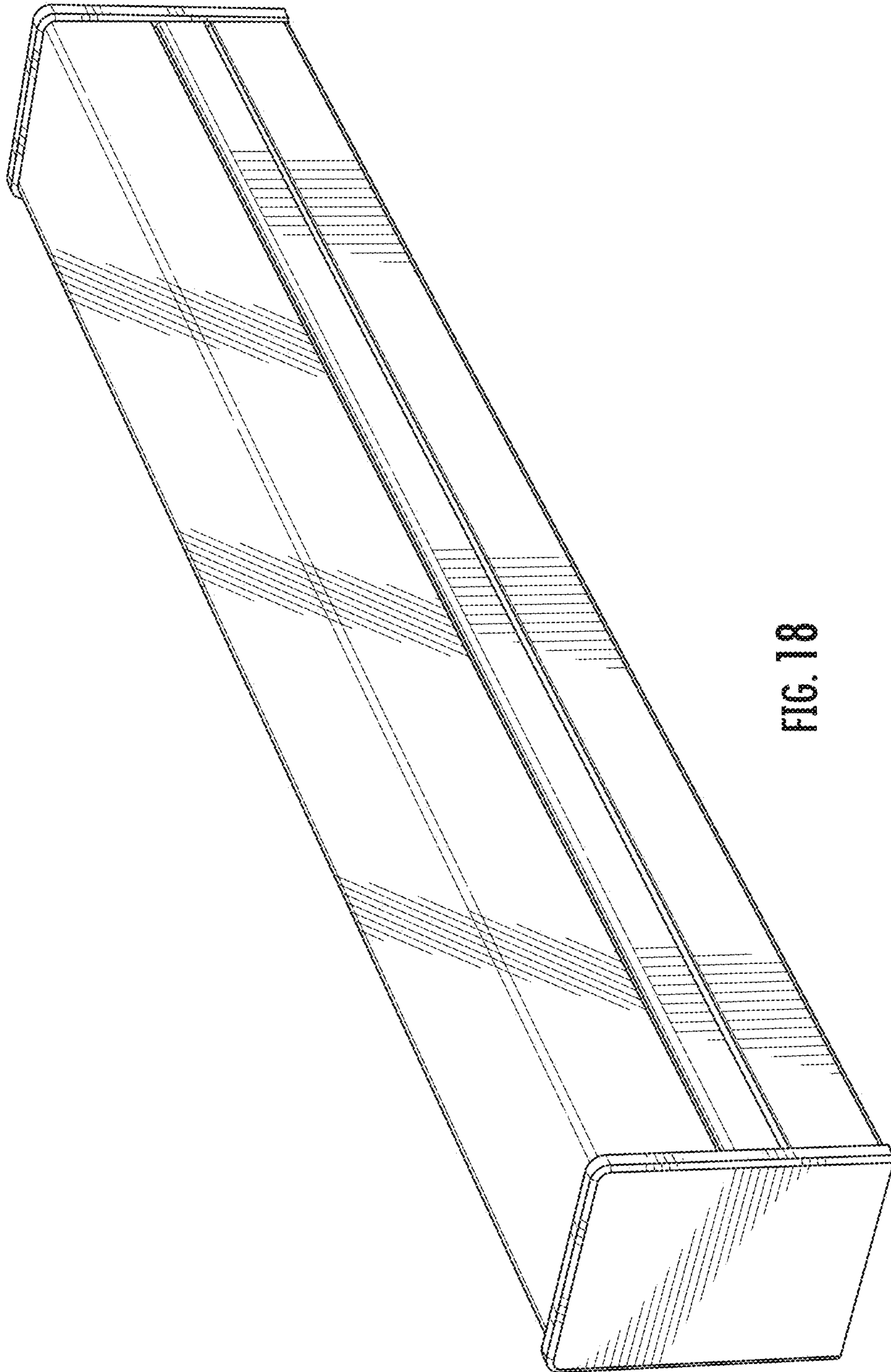


FIG. 18

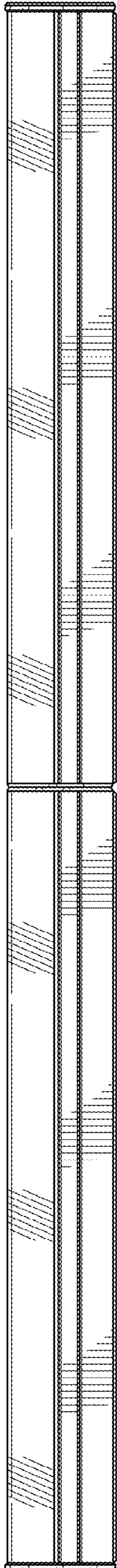


FIG. 19

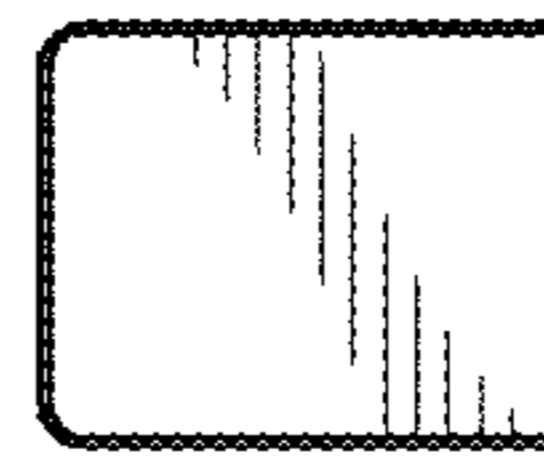


FIG. 20

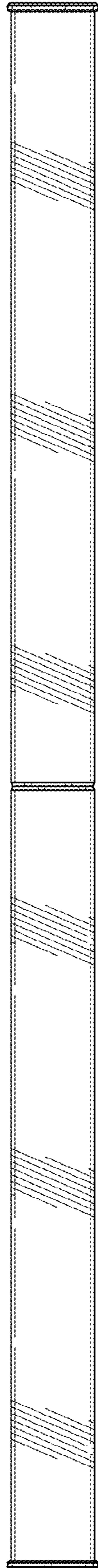


FIG. 21

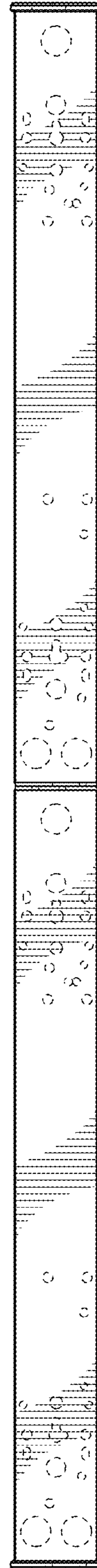


FIG. 22



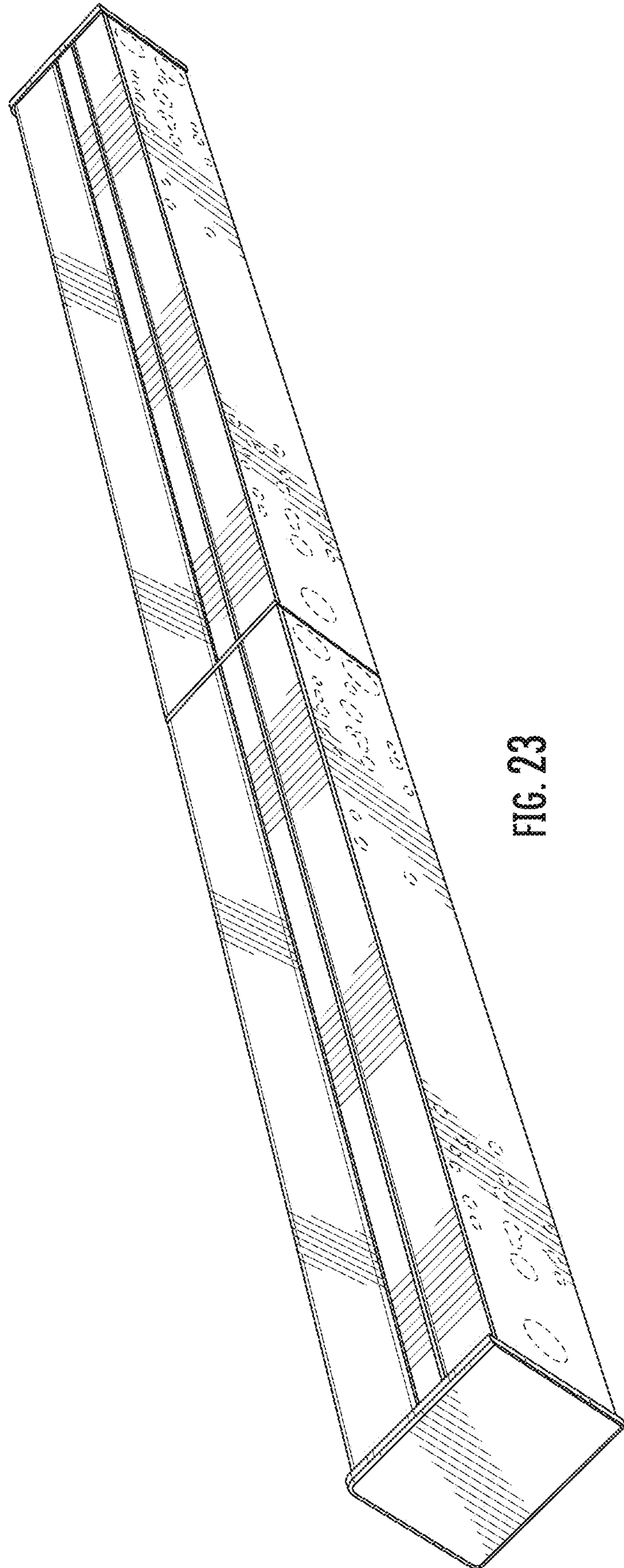


FIG. 23

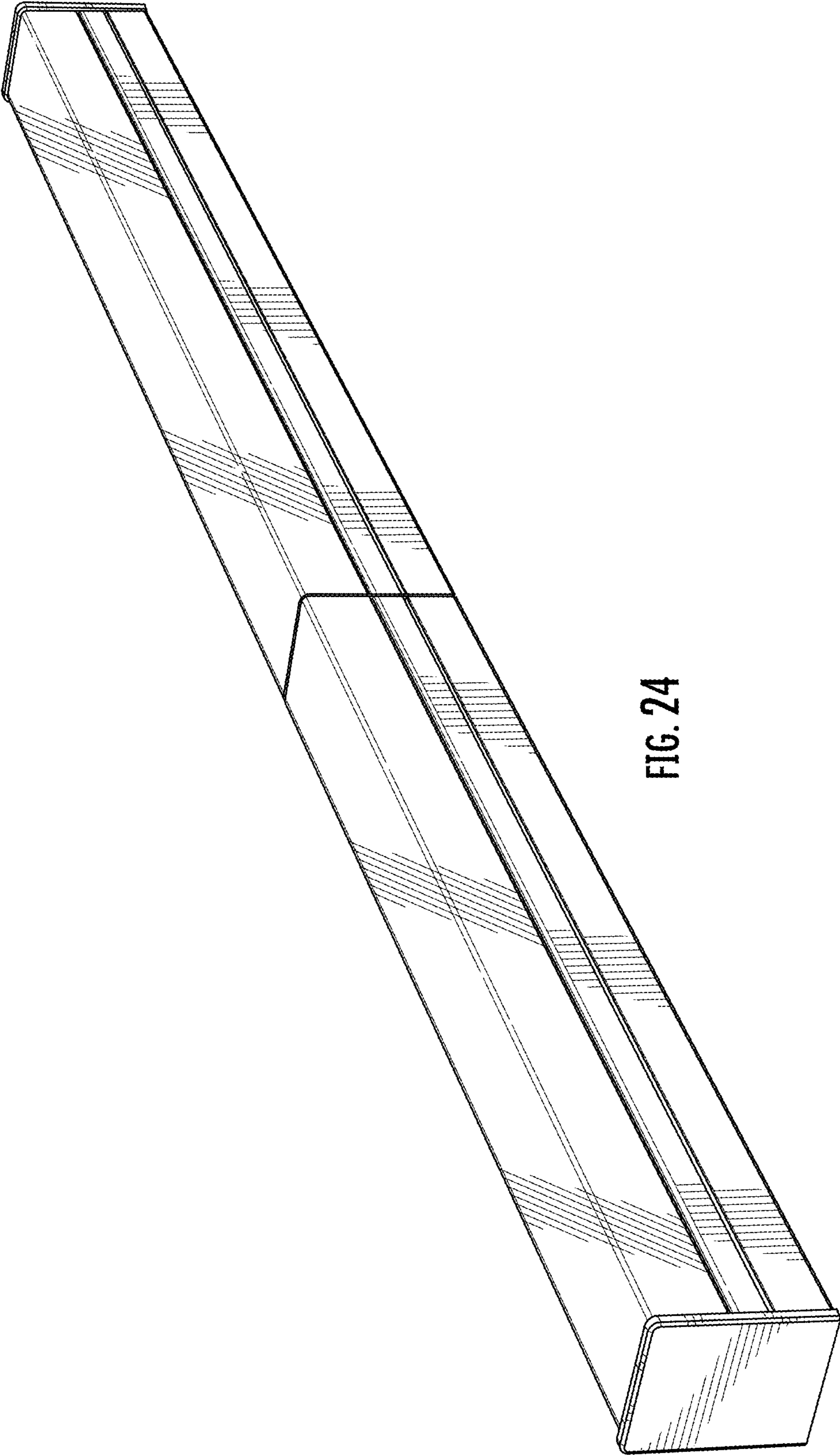


FIG. 24

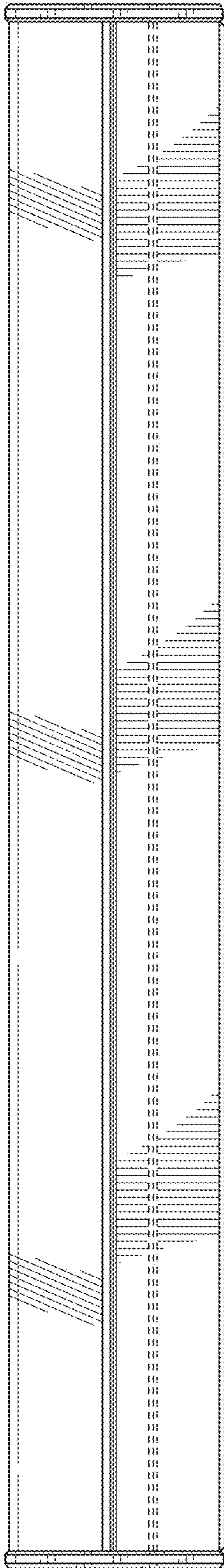


FIG. 25

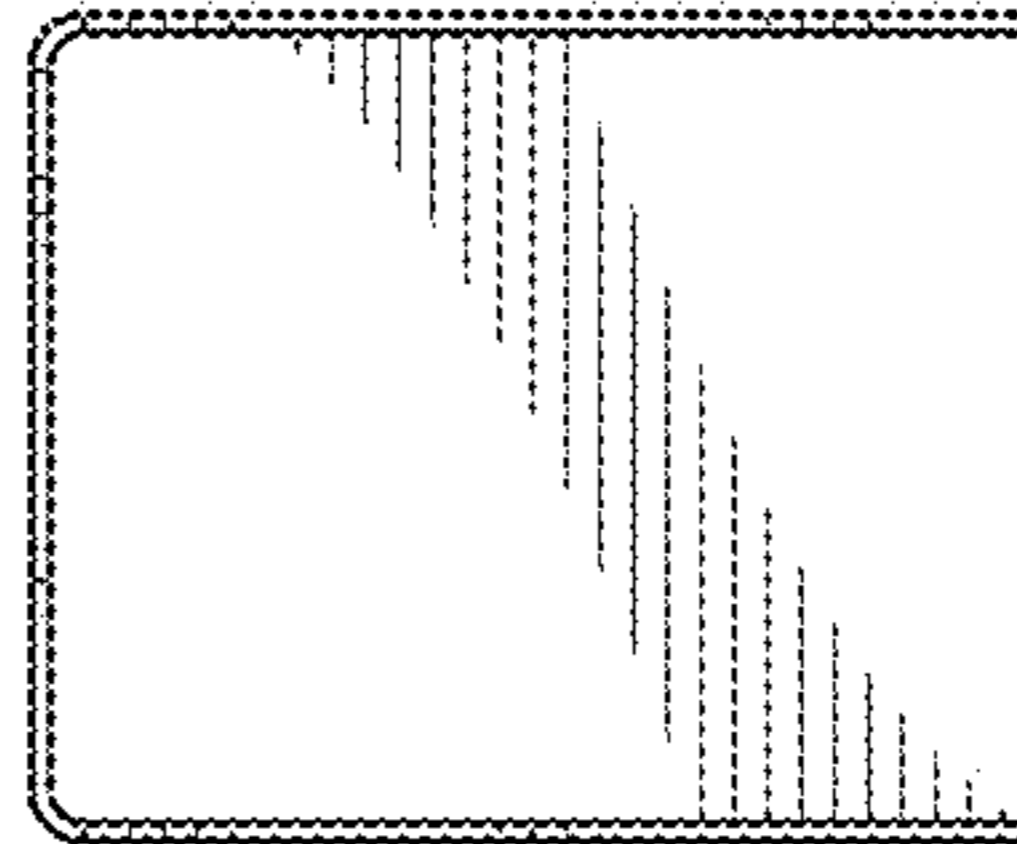


FIG. 26

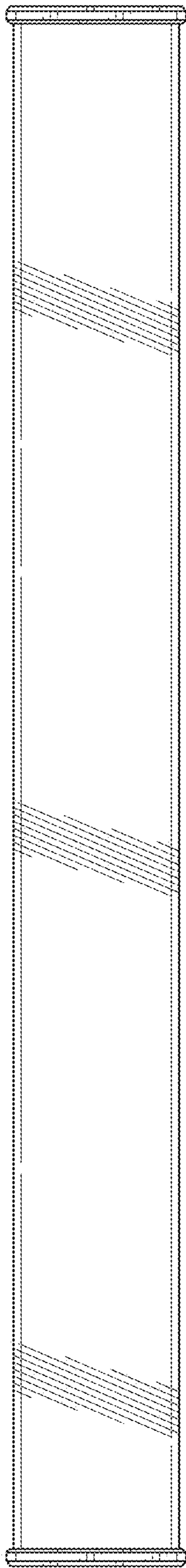


FIG. 27

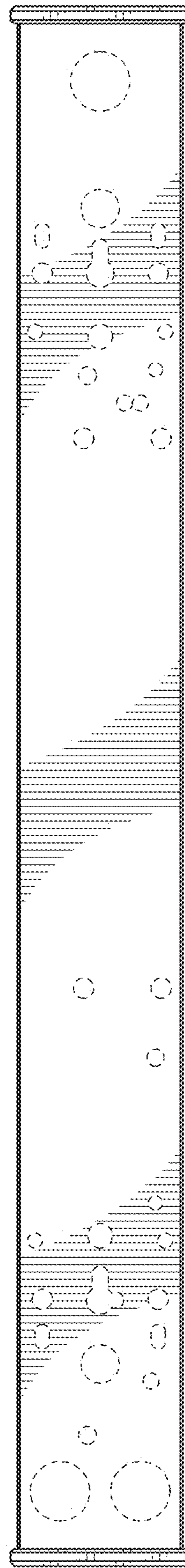


FIG. 28

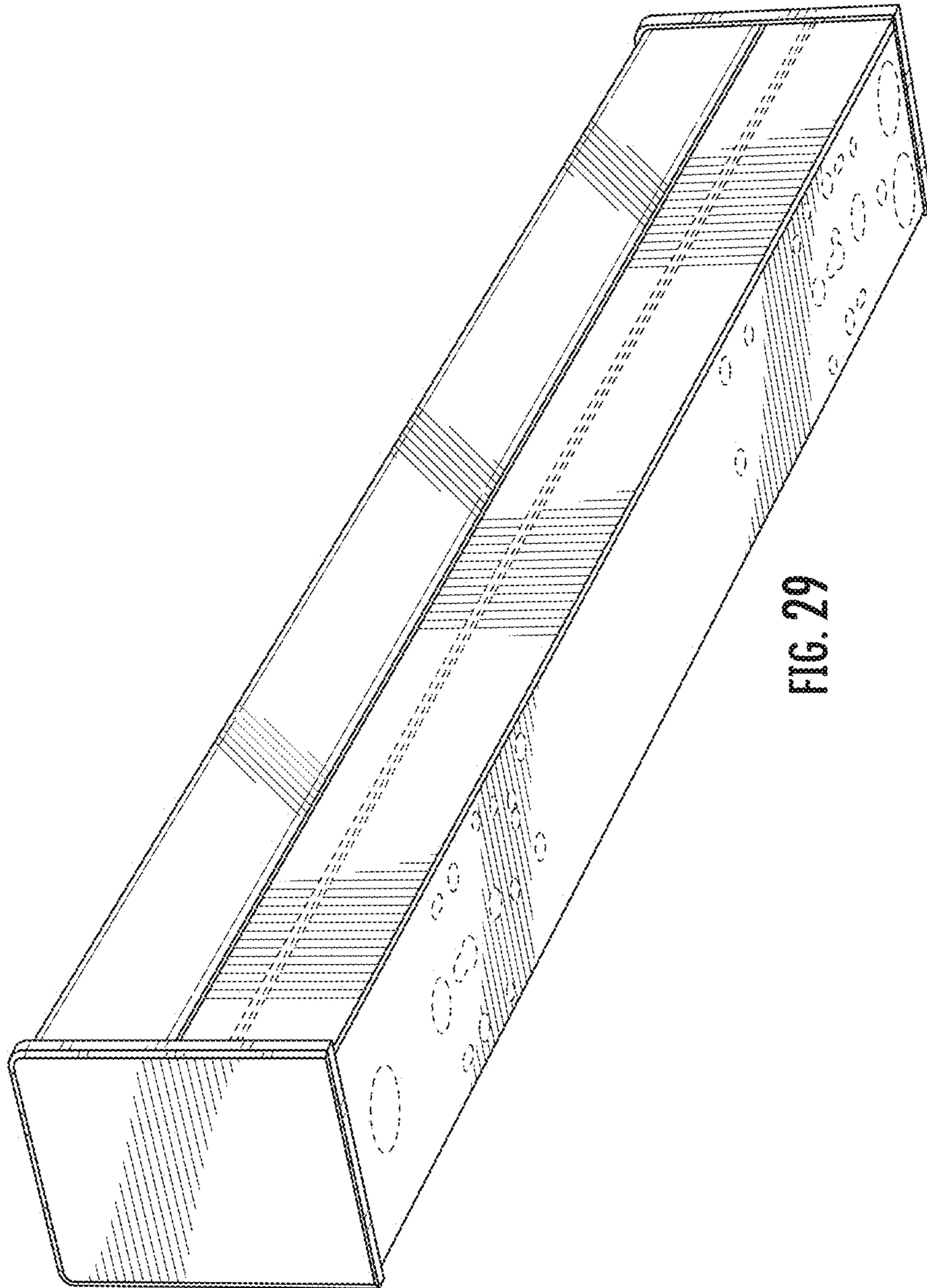


FIG. 29

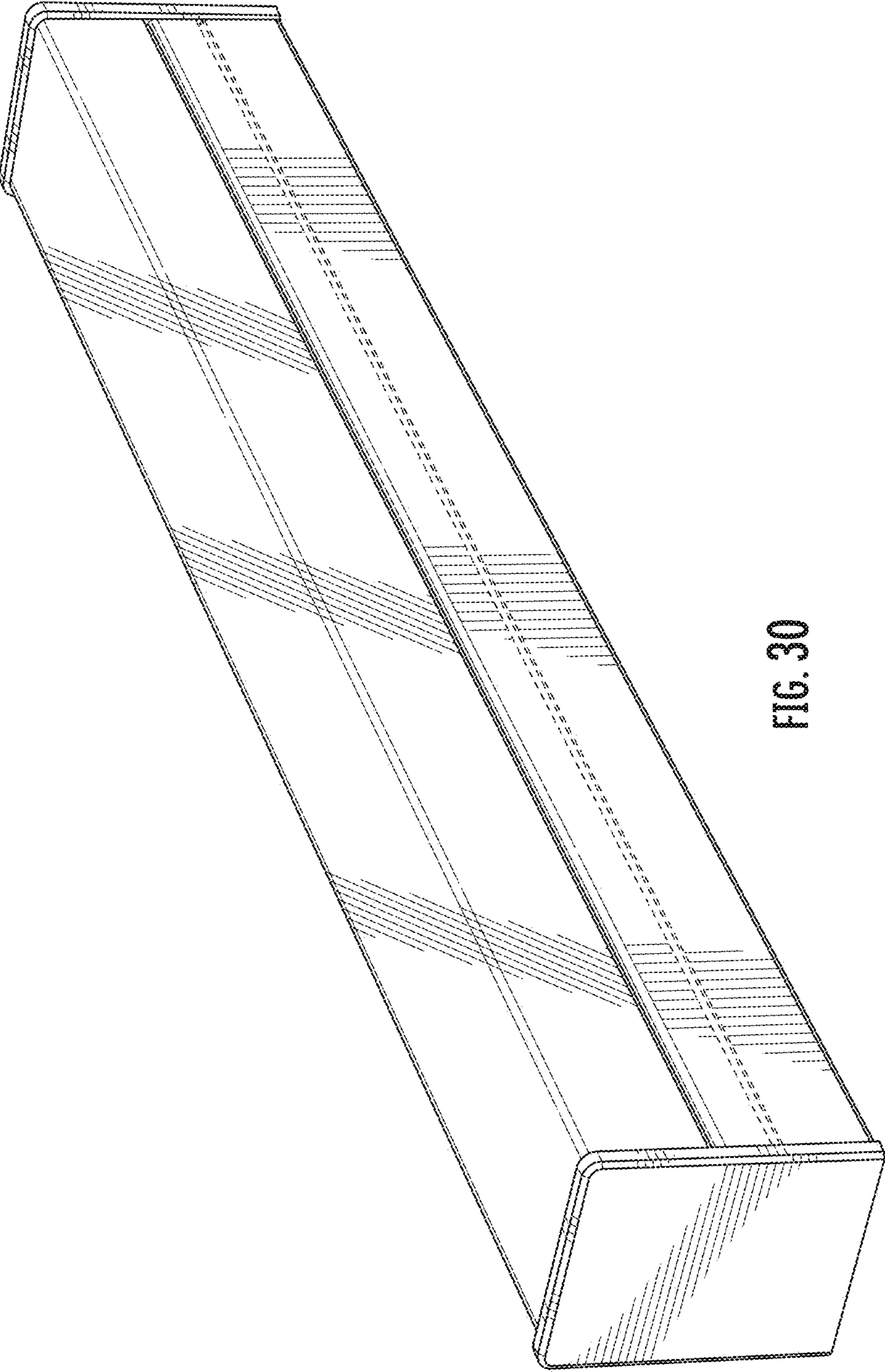


FIG. 30

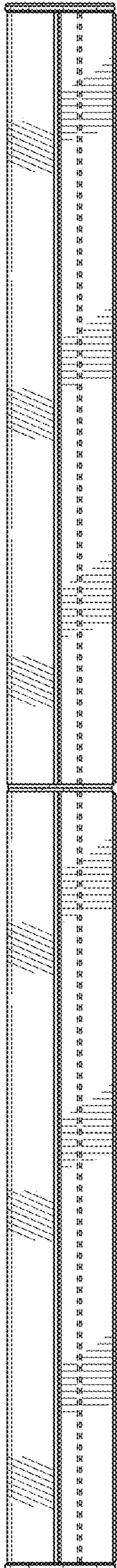


FIG. 31

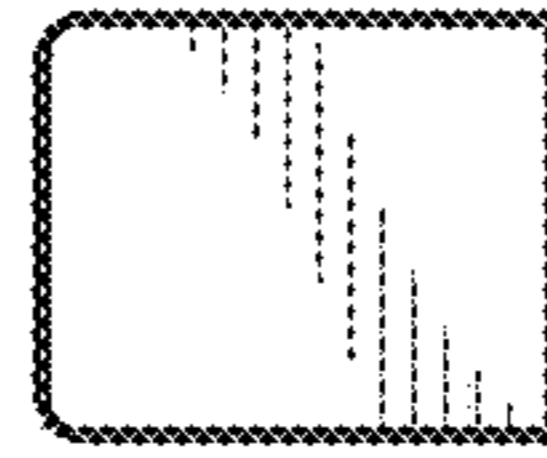


FIG. 32

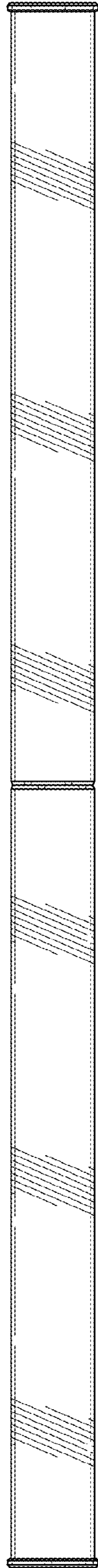


FIG. 33

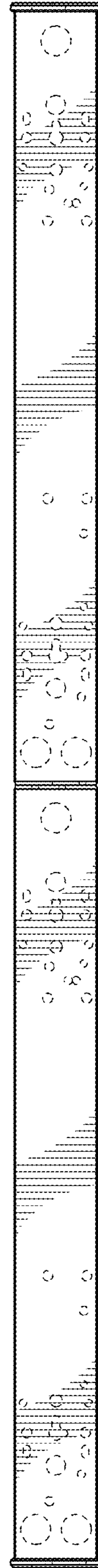


FIG. 34



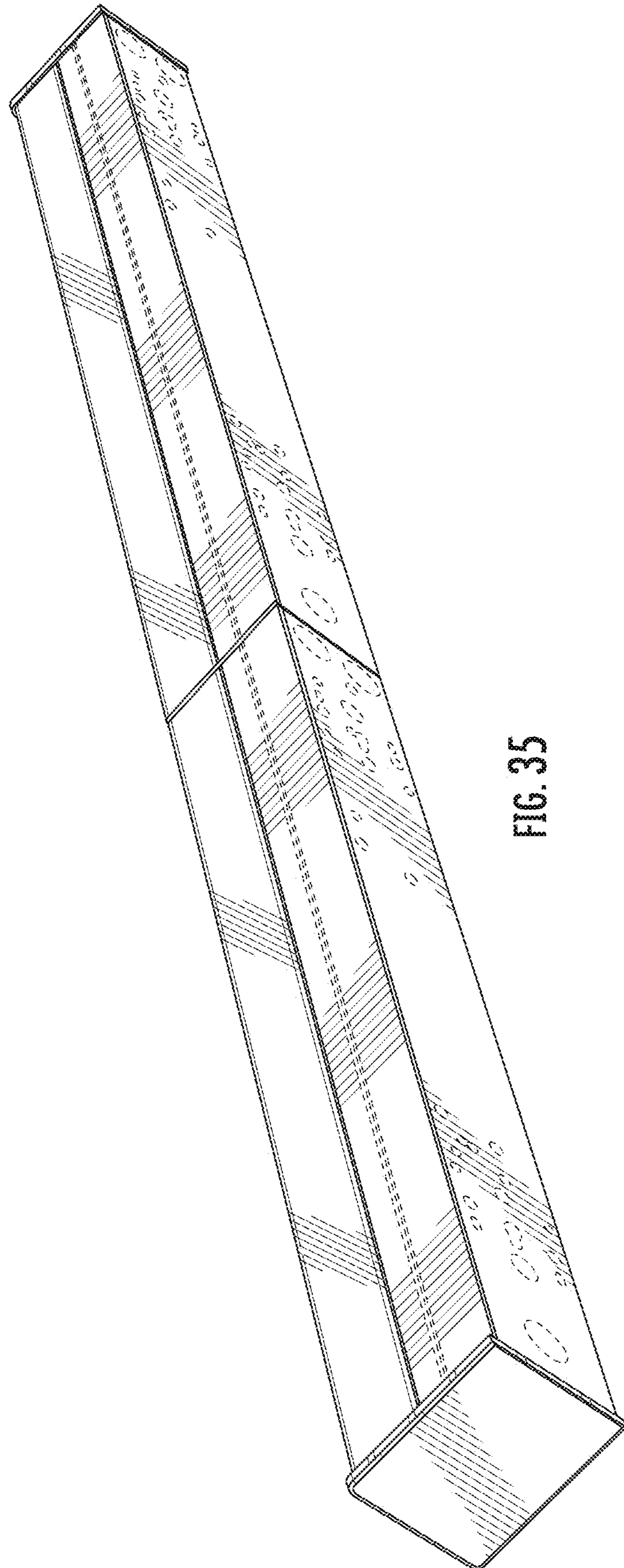


FIG. 35

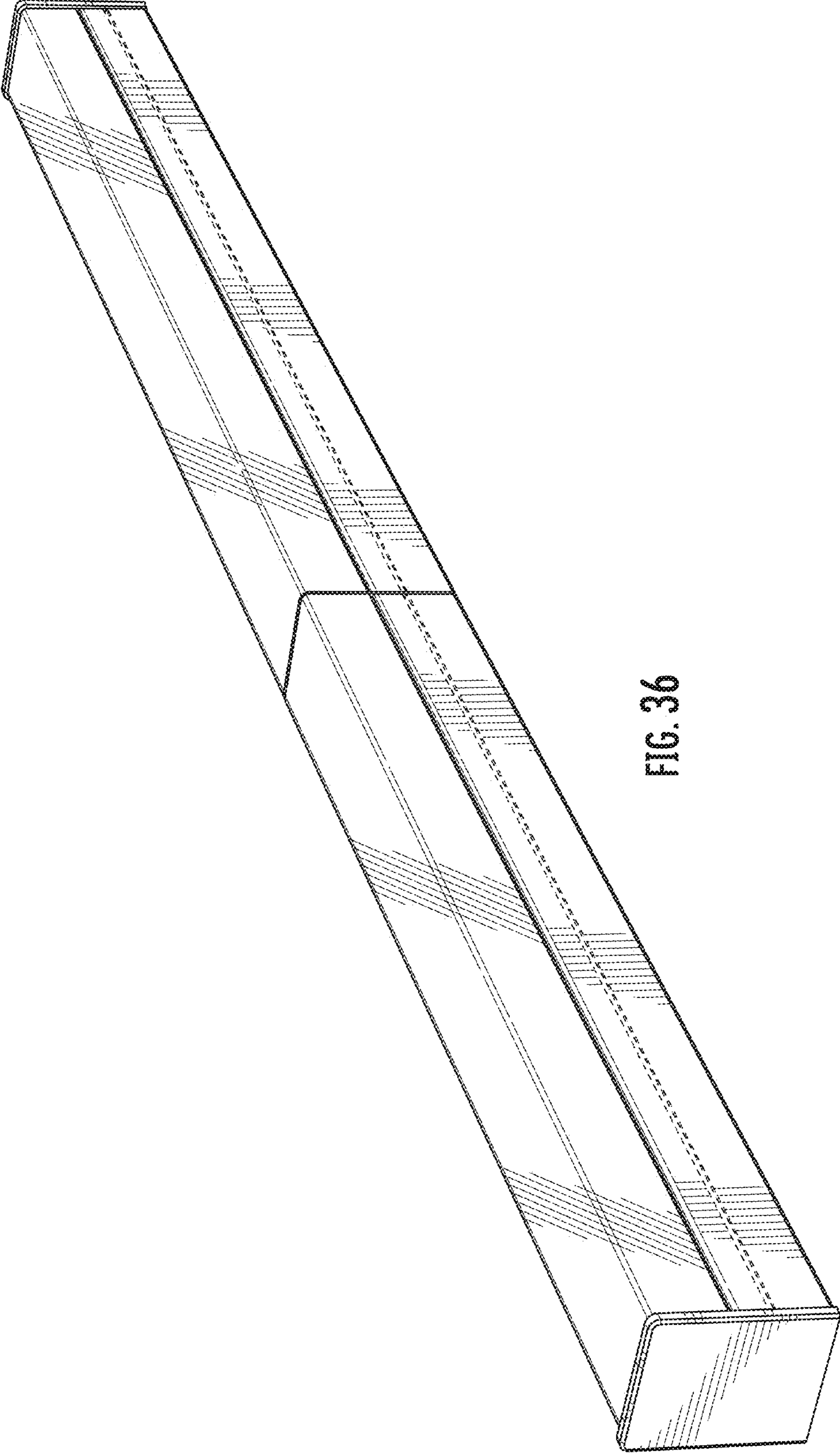


FIG. 36