



US00D910224S

(12) **United States Design Patent** (10) **Patent No.:** **US D910,224 S**
Feldman (45) **Date of Patent:** **** Feb. 9, 2021**

(54) **RECESSED LIGHT FIXTURE**
(71) Applicant: **JUNA CONSTRUCTION, INC.**,
Chappaqua, NY (US)
(72) Inventor: **Nathan Feldman**, Chappaqua, NY (US)
(73) Assignee: **JUNA CONSTRUCTION, INC.**,
Brooklyn, NY (US)

(**) Term: **15 Years**

(21) Appl. No.: **29/668,254**

(22) Filed: **Oct. 29, 2018**

(51) **LOC (13) Cl.** **26-05**

(52) **U.S. Cl.**
USPC **D26/74**

(58) **Field of Classification Search**
USPC D26/74, 72, 75, 76, 77, 78, 85, 88, 89,
D26/118, 138, 141, 67, 70; 362/364,
362/365, 373, 145, 146, 147, 148, 150,
362/153, 153.1, 294, 296.01, 296.07,
362/296.08
CPC F21V 29/2262; F21V 7/06; F21V 21/044;
F21V 21/047; F21V 29/2212; F21V
29/2225; F21V 29/2256; F21V 29/225;
F21V 29/2268; F21Y 2111/002; F21S
8/02; F21S 8/026
See application file for complete search history.

(56) **References Cited**

U.S. PATENT DOCUMENTS

D606,696 S * 12/2009 Chen D26/74
D625,876 S * 10/2010 Chen D26/74
D628,335 S * 11/2010 Hyland D26/74
D700,735 S * 3/2014 Maxik D26/89

D769,503 S * 10/2016 Van Lierde D26/74
D785,852 S * 5/2017 Rashidi Doust D26/138
D805,674 S * 12/2017 Salomon D26/74
D840,084 S * 2/2019 Crosby D26/74
D850,696 S * 6/2019 Zhu D26/74
D863,645 S * 10/2019 Petzold D26/74
D867,645 S * 11/2019 Ye D26/74
D887,063 S * 6/2020 Speier D26/74
D888,313 S * 6/2020 Xie D26/74

* cited by examiner

Primary Examiner — Angela J Lee

(74) *Attorney, Agent, or Firm* — Andrew F. Young, Esq.;
Nolte Lackenbach Siegel

(57) **CLAIM**

The ornamental design for a recessed light fixture, as shown
and described.

DESCRIPTION

FIG. 1 is a front perspective view of a first embodiment of
the present invention.

FIG. 2 is a rear perspective view of FIG. 1

FIG. 3 is a front elevation view of FIG. 1.

FIG. 4 is a rear elevation view of FIG. 1.

FIG. 5 is a left elevation view of FIG. 1.

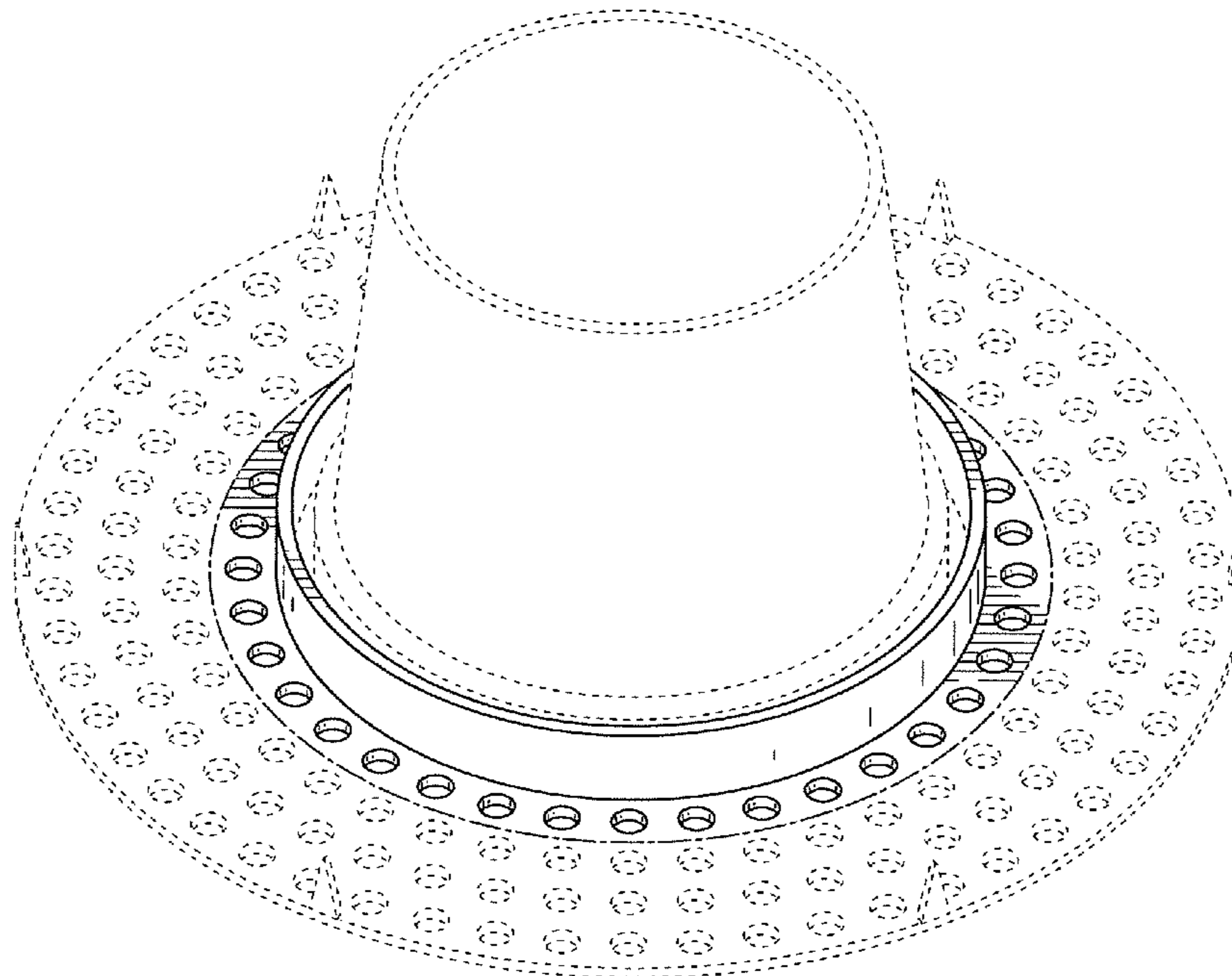
FIG. 6 is a right elevation view of FIG. 1.

FIG. 7 is a top plan view of FIG. 1; and,

FIG. 8 is a bottom plan view of FIG. 1.

The dash-dash broken lines represent environment that
forms no part of the claimed design. The dash-dot-dash
broken lines represent claim limit indicators identify the
boundaries of the claimed design and which form no part of
the claimed design. No claim is made to portions which are
not shown.

1 Claim, 6 Drawing Sheets



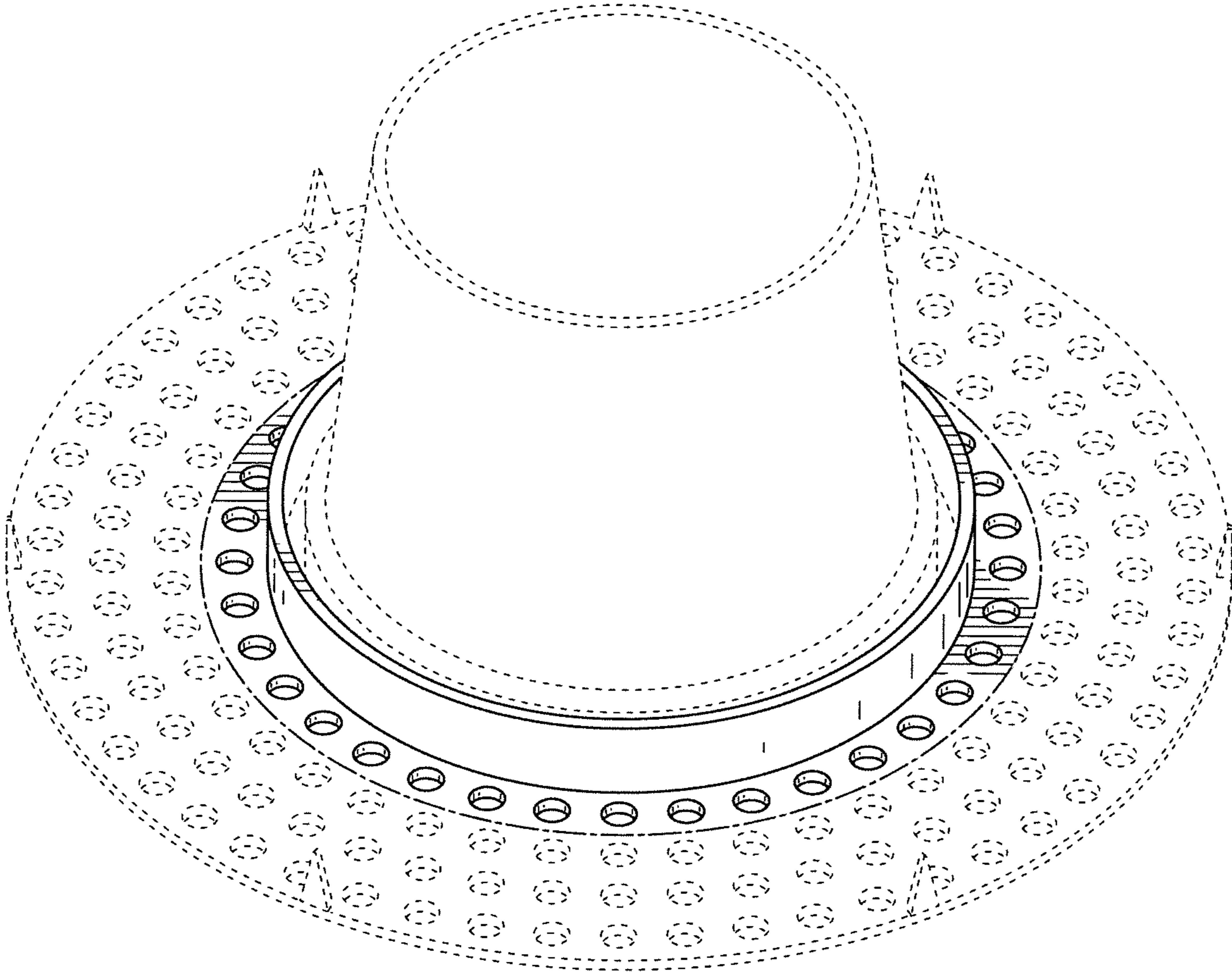


FIG. 1

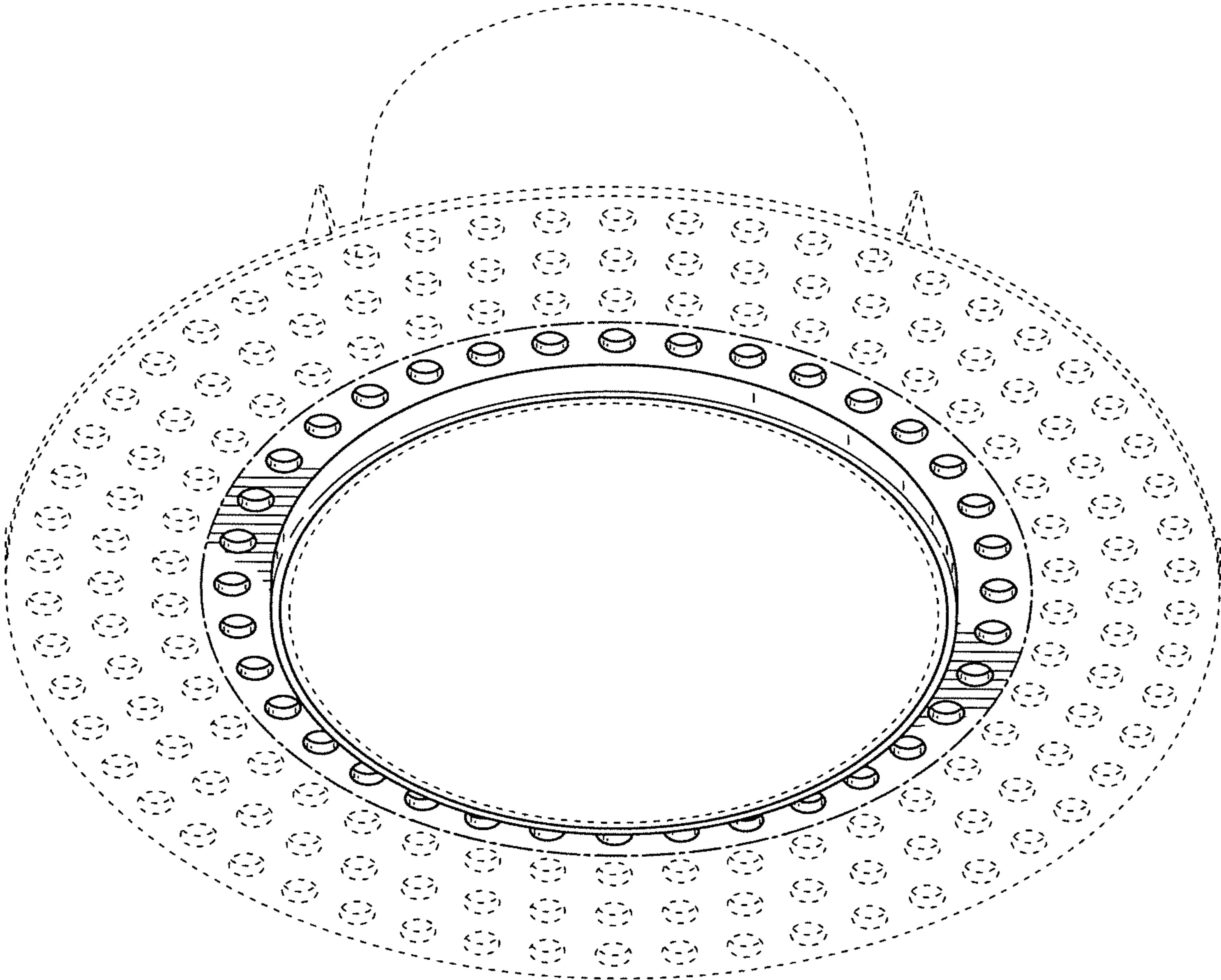


FIG. 2

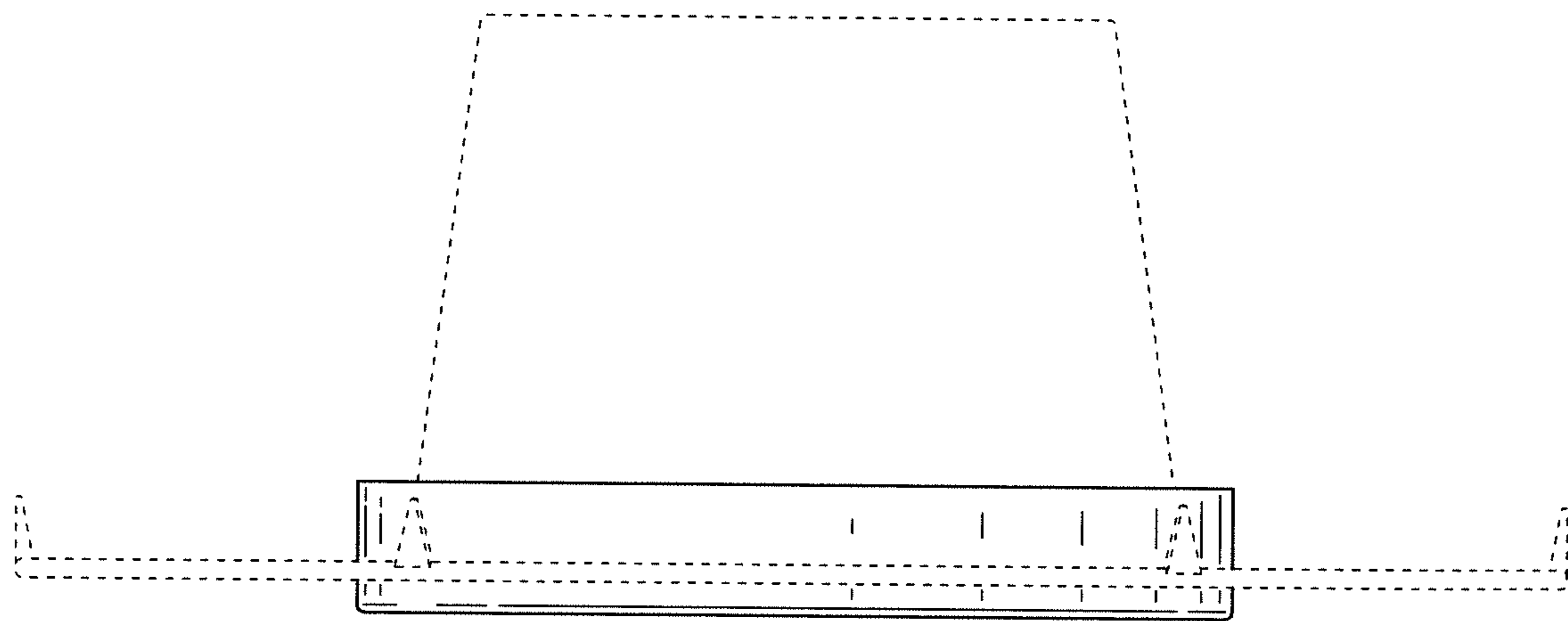


FIG. 3

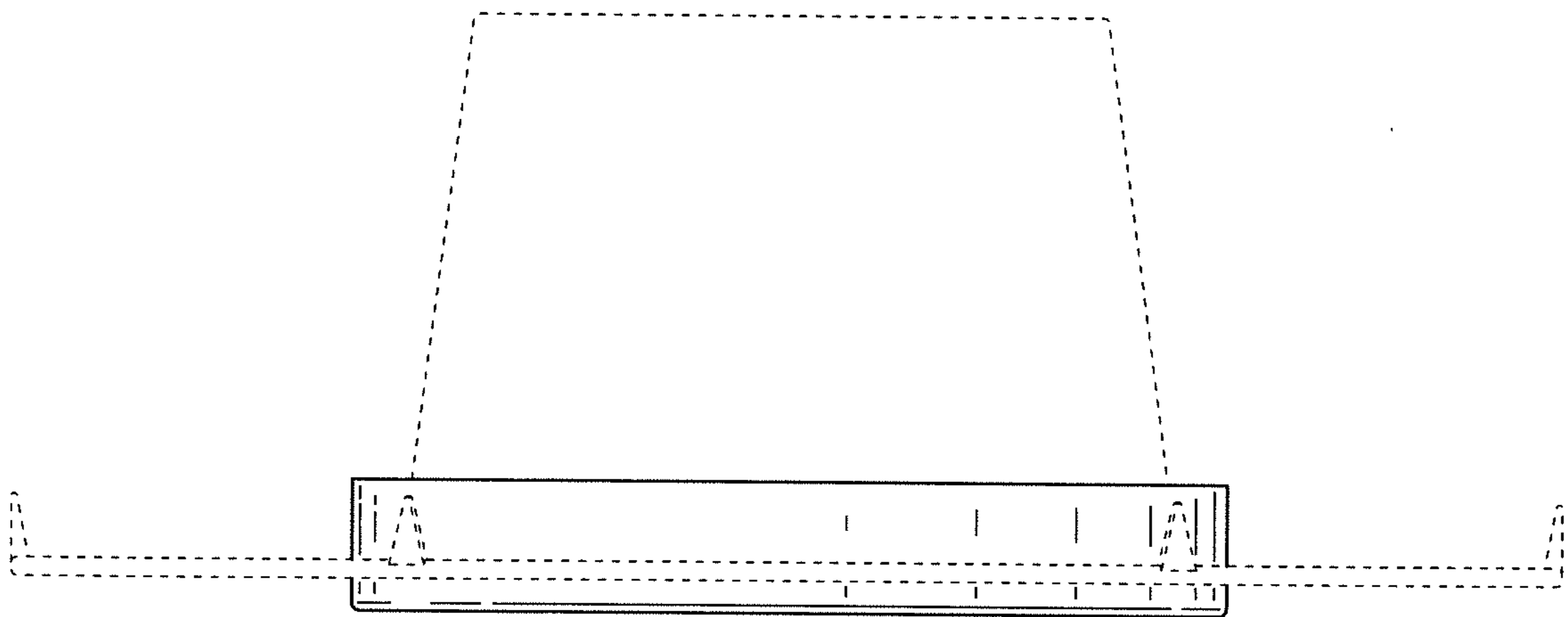


FIG. 4

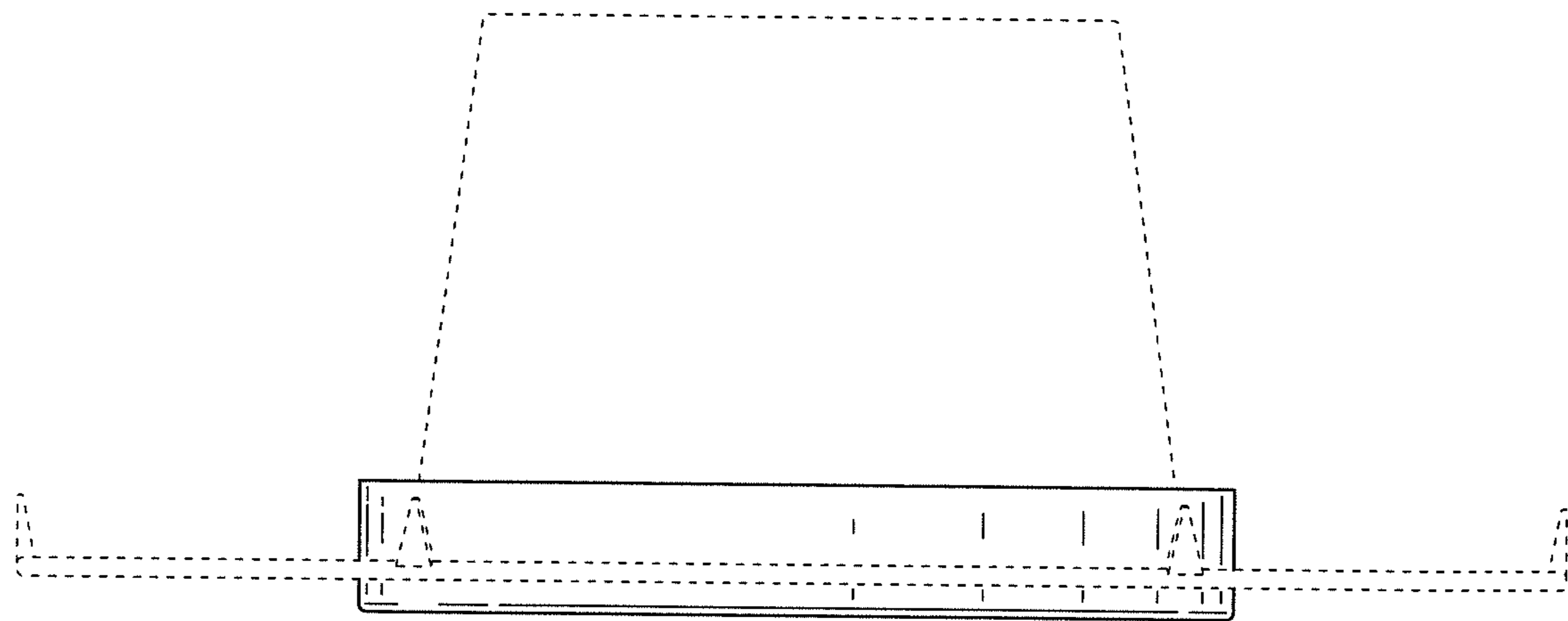


FIG. 5

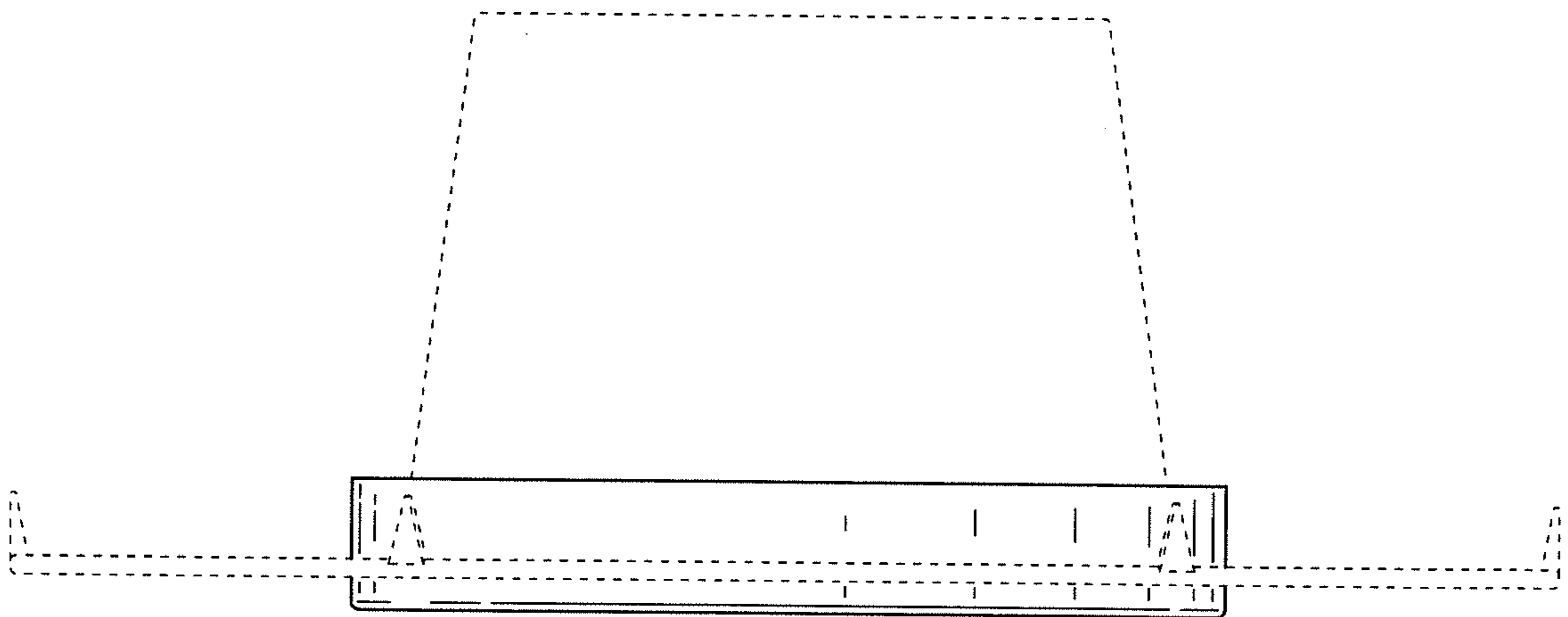


FIG. 6

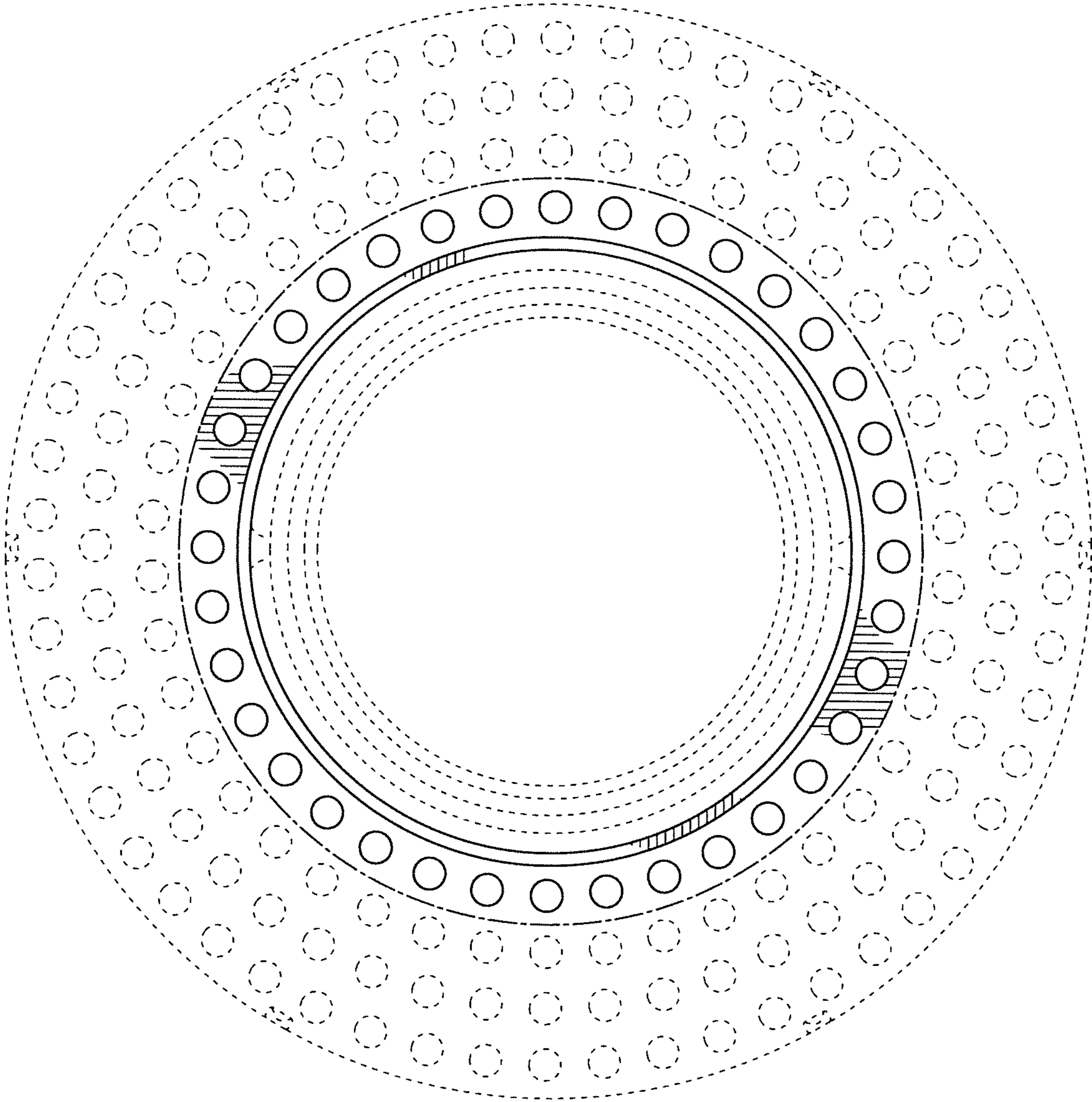


FIG. 7

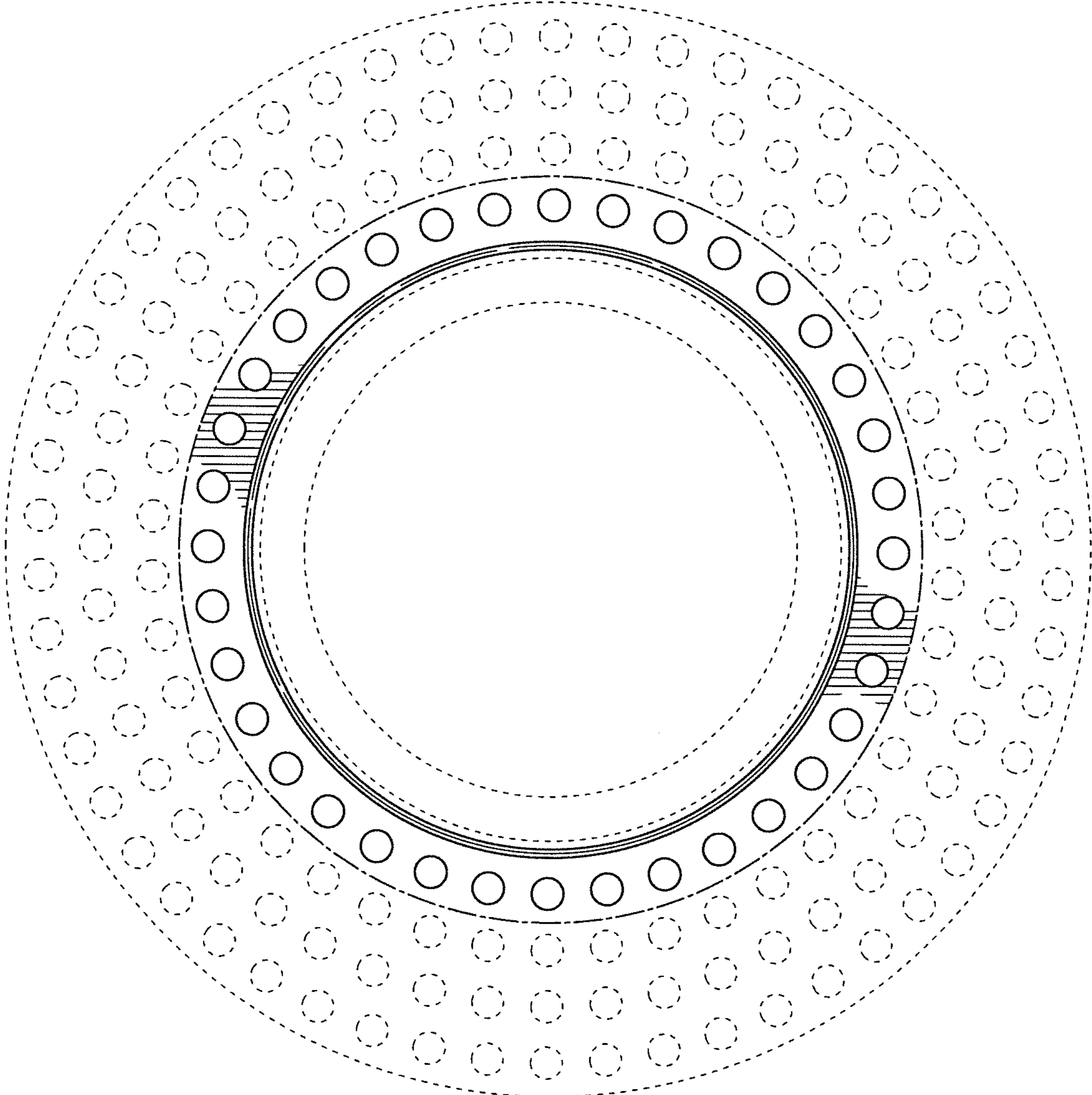


FIG. 8