



US00D910223S

(12) **United States Design Patent**
Cohen

(10) **Patent No.:** **US D910,223 S**

(45) **Date of Patent:** **** Feb. 9, 2021**

(54) **INTEGRATED LIGHTING MODULE HOUSING**

(71) Applicant: **Brandon Cohen**, Los Angeles, CA (US)

(72) Inventor: **Brandon Cohen**, Los Angeles, CA (US)

(**) Term: **15 Years**

(21) Appl. No.: **29/663,183**

(22) Filed: **Sep. 12, 2018**

(51) **LOC (13) Cl.** **26-05**

(52) **U.S. Cl.**
USPC **D26/74**

(58) **Field of Classification Search**
USPC D26/74, 72, 75, 76, 77, 78, 85, 88, 89, D26/118, 138, 141; 362/364, 365, 373, 362/145, 146, 147, 148, 150, 153, 153.1, 362/294, 296.01, 296.07, 296.08
CPC F21V 29/2262; F21V 7/06; F21V 21/044; F21V 21/047; F21V 29/2212; F21V 29/2225; F21V 29/2256; F21V 29/225; F21V 29/2268; F21Y 2111/002; F21S 8/02; F21S 8/026
See application file for complete search history.

(56) **References Cited**

U.S. PATENT DOCUMENTS

D606,696 S	12/2009	Chen	
D611,650 S *	3/2010	Broekhoff D26/134
D640,819 S	6/2011	Pan	
D656,263 S	3/2012	Ogawa	
D668,372 S	10/2012	Renshaw	
D682,459 S	5/2013	Gordin	
D684,288 S *	6/2013	Gielen D26/74
D694,456 S	11/2013	Rowlette, Jr.	
D708,381 S	7/2014	Rashidi	
D714,989 S	10/2014	Rowlette, Jr.	

D726,949 S	4/2015	Redfern	
9,039,254 B2	5/2015	Danesh	
D734,525 S	7/2015	Gordin	
D734,526 S *	7/2015	Gordin D26/74
9,404,639 B2	8/2016	Bailey	
D777,967 S	1/2017	Redfern	
D779,100 S	2/2017	Redfern	
9,581,302 B2	2/2017	Danesh	
D790,102 S	6/2017	Guzzini	
9,964,266 B2	5/2018	Danesh	
D820,494 S	6/2018	Cohen	
10,139,059 B2	11/2018	Danesh	
D847,414 S *	4/2019	Danesh F21S 8/026 D26/138

(Continued)

OTHER PUBLICATIONS

DMF DRD2 Product Publicly available at least as early as Sep. 6, 2018 Website: <https://www.dmflighting.com/product/drd2/>.

(Continued)

Primary Examiner — Angela J Lee
(74) *Attorney, Agent, or Firm* — Eric Kelly

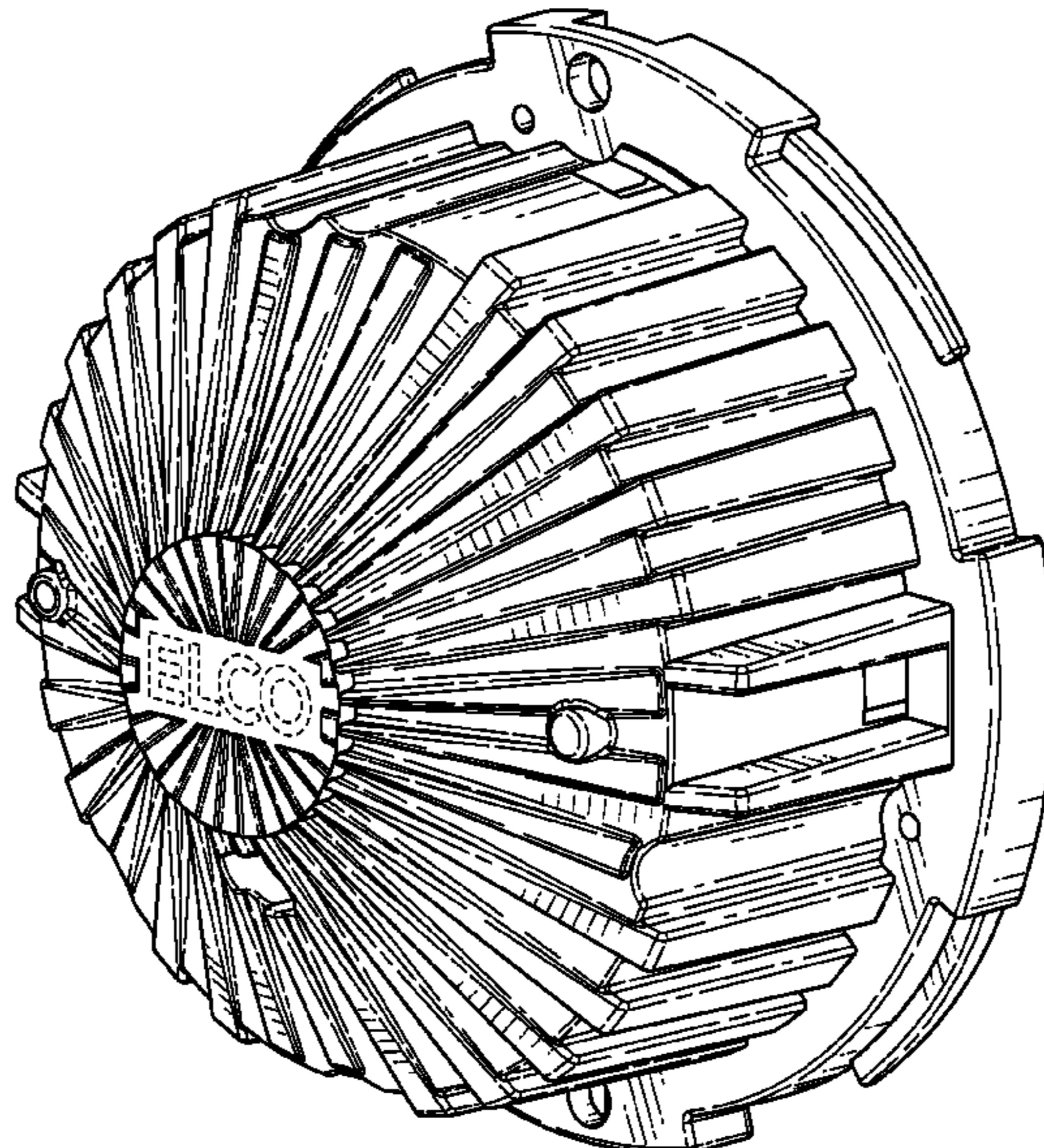
(57) **CLAIM**

The ornamental design for an integrated lighting module housing, as shown and described.

DESCRIPTION

FIG. 1 illustrates a top front perspective view of a new and ornamental integrated lighting module housing;
FIG. 2 illustrates a front view thereof;
FIG. 3 illustrates a back view thereof;
FIG. 4 illustrates a left-side view thereof;
FIG. 5 illustrates a right-side view thereof;
FIG. 6 illustrates a top view thereof; and,
FIG. 7 illustrates a bottom view thereof.
Broken lines in any of included figures are for illustrative purposes only and form no part of the claimed design.

1 Claim, 6 Drawing Sheets



(56)

References Cited

U.S. PATENT DOCUMENTS

D847,415 S * 4/2019 Danesh F21S 8/02
D26/138
D855,860 S * 8/2019 Peng D26/74
10,408,395 B2 9/2019 Danesh
2013/0050994 A1* 2/2013 Pieper F21S 8/026
362/147
2013/0051012 A1* 2/2013 Oehle F21S 8/026
362/235
2015/0233556 A1 8/2015 Danesh
2017/0138576 A1 5/2017 Peng
2018/0231197 A1 8/2018 Danesh
2019/0049080 A1 2/2019 Danesh

OTHER PUBLICATIONS

DMF DRD4 Product Publicly available at least as early as Sep. 6, 2018 Website: <https://www.dmflighting.com/product/drd4/>.

ELCO E247 Product Publicly available at least as early as Sep. 6, 2018.

SORAA LED Optical Light Engine, See: <https://res.cloudinary.com/soraa/omage/upload/v1516986148/resources/misc/ole-more-info-pdf.pdf>.

IMTRA Tide PowerLED Light Fixture, See: <https://www.imtra.com/1806fa8d-4593-40f4-bbf0-f9a833e92148/lighting-light-fixtures-detail.htm>, Publicly available at least as early as 2012.

* cited by examiner

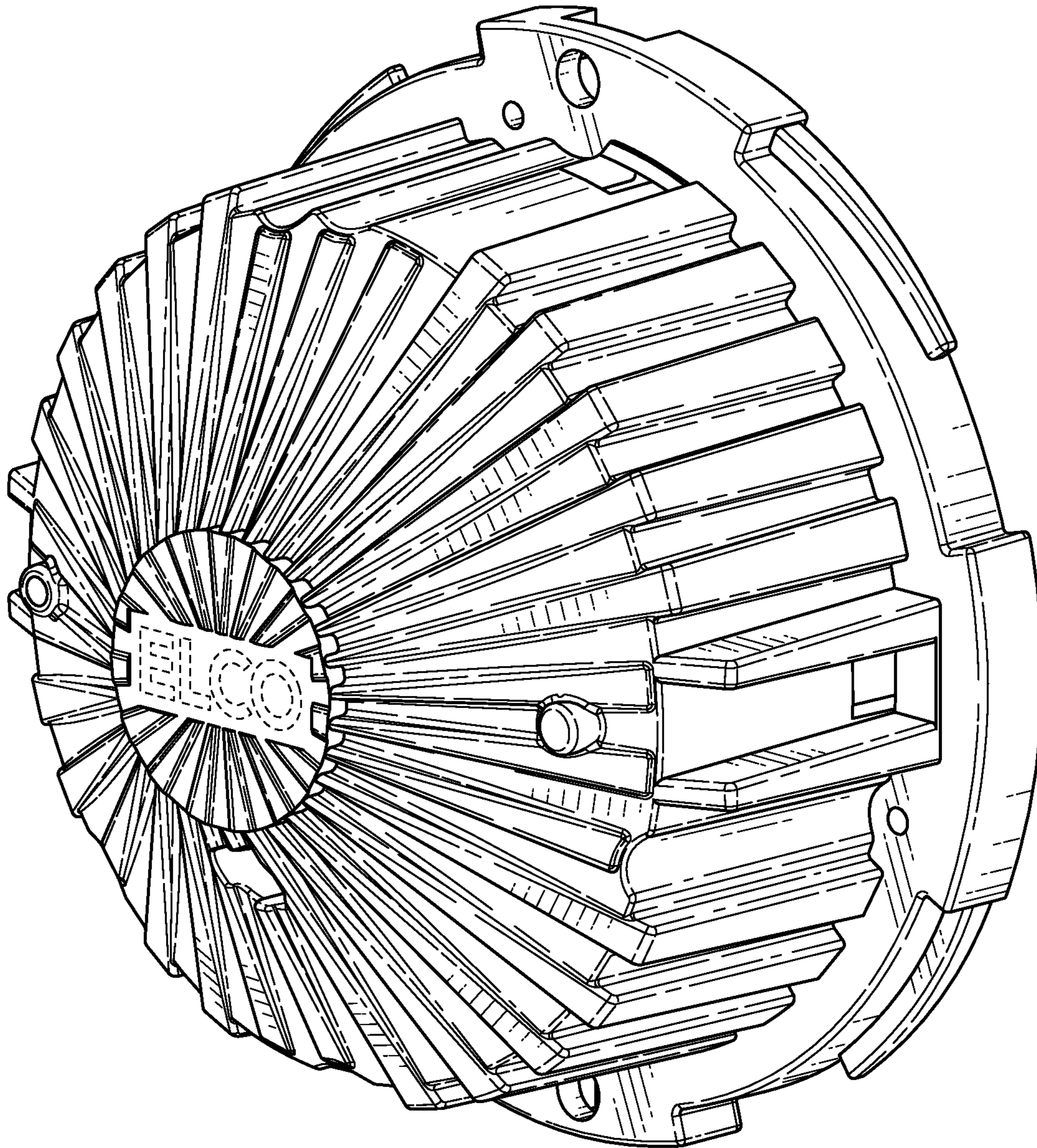


FIG. 1

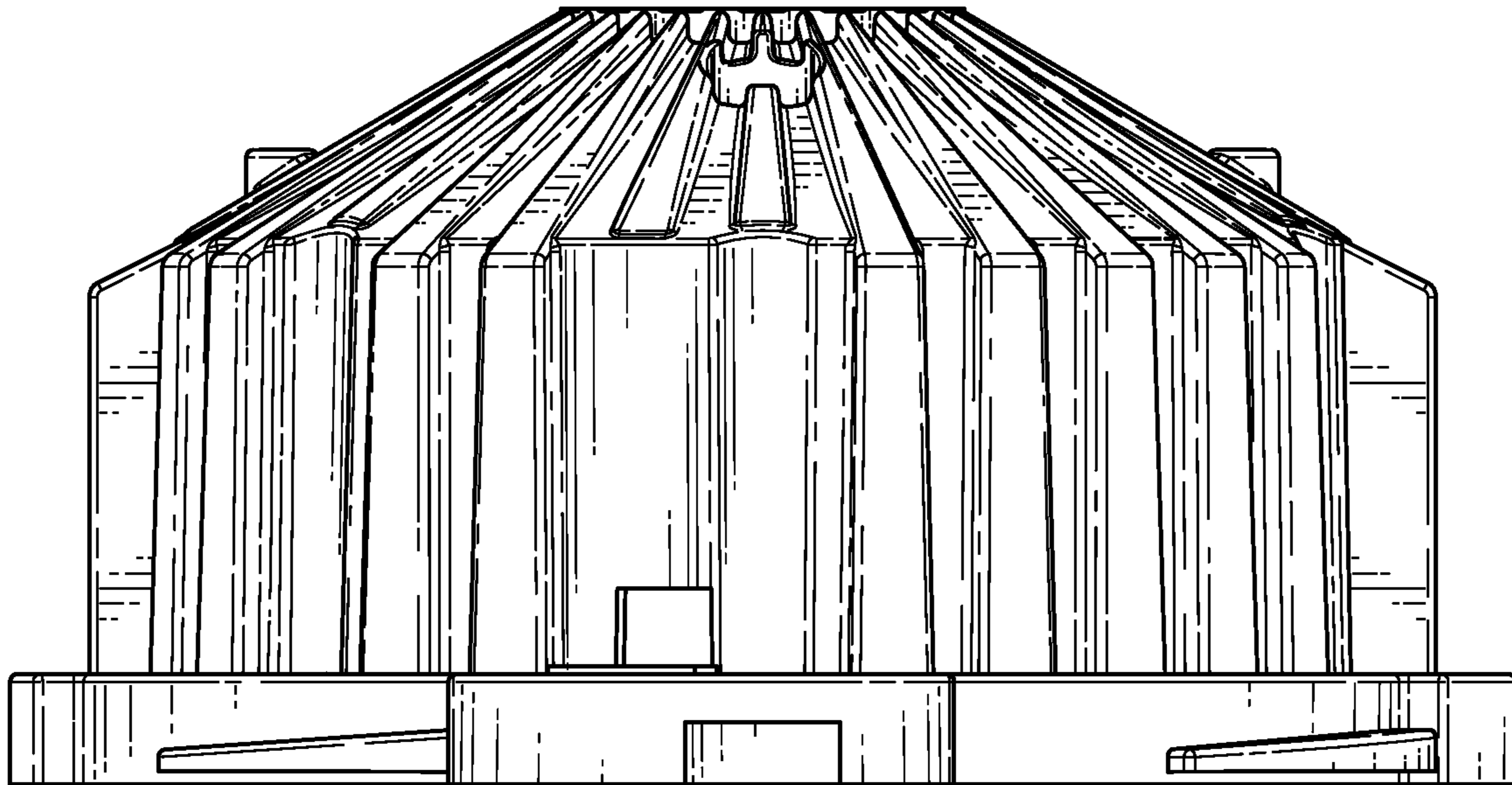


FIG. 2

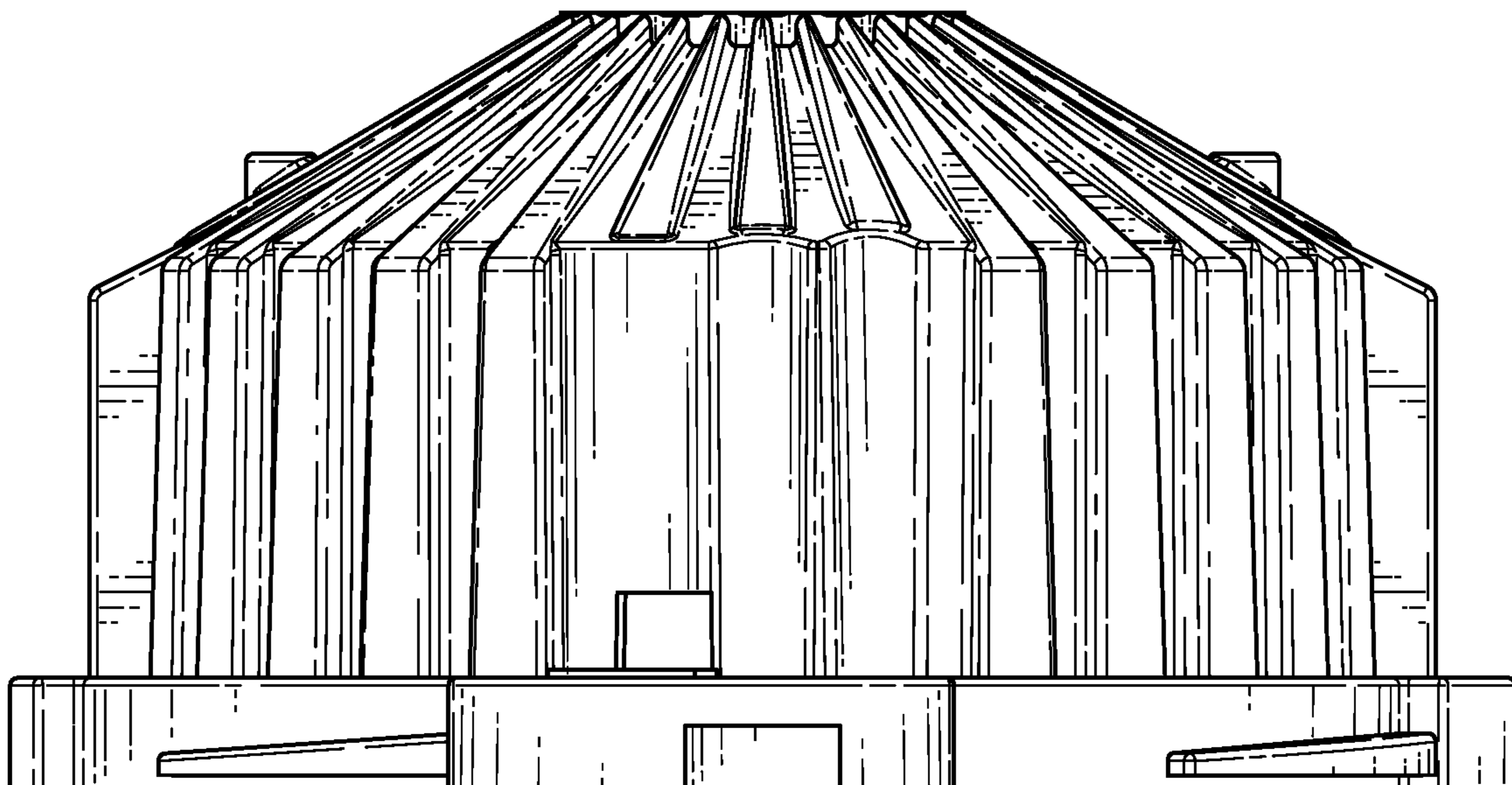


FIG. 3

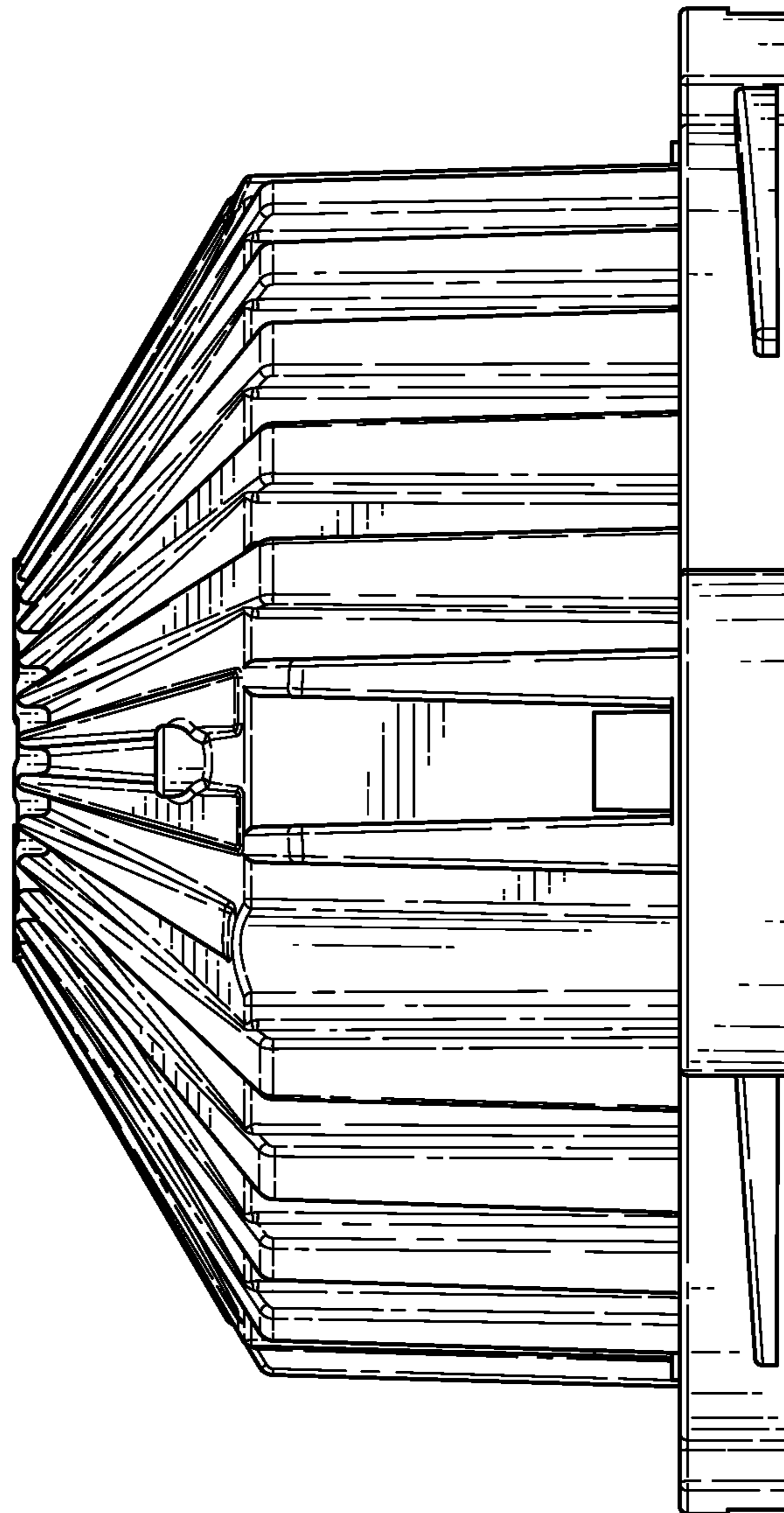


FIG. 4

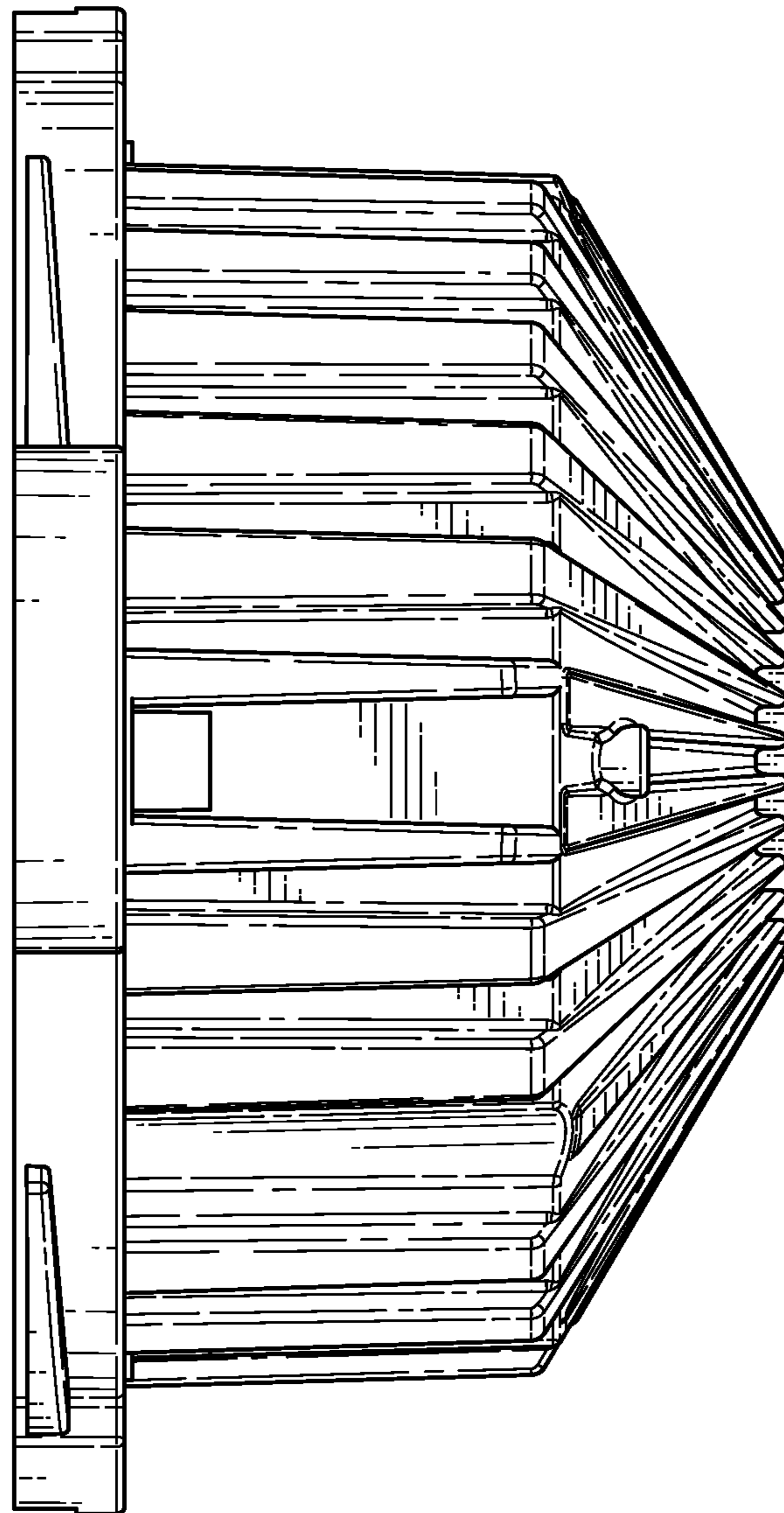


FIG. 5

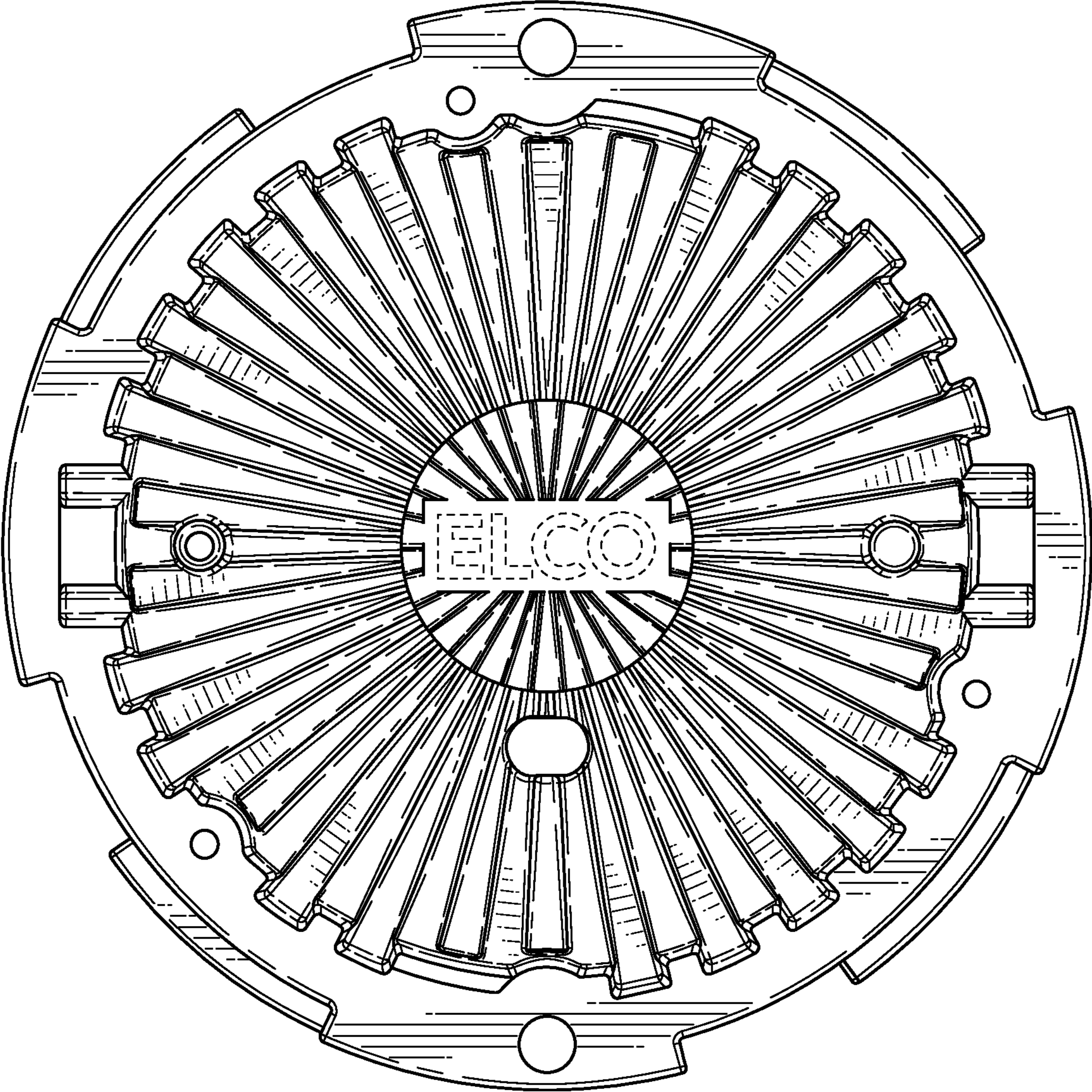


FIG. 6

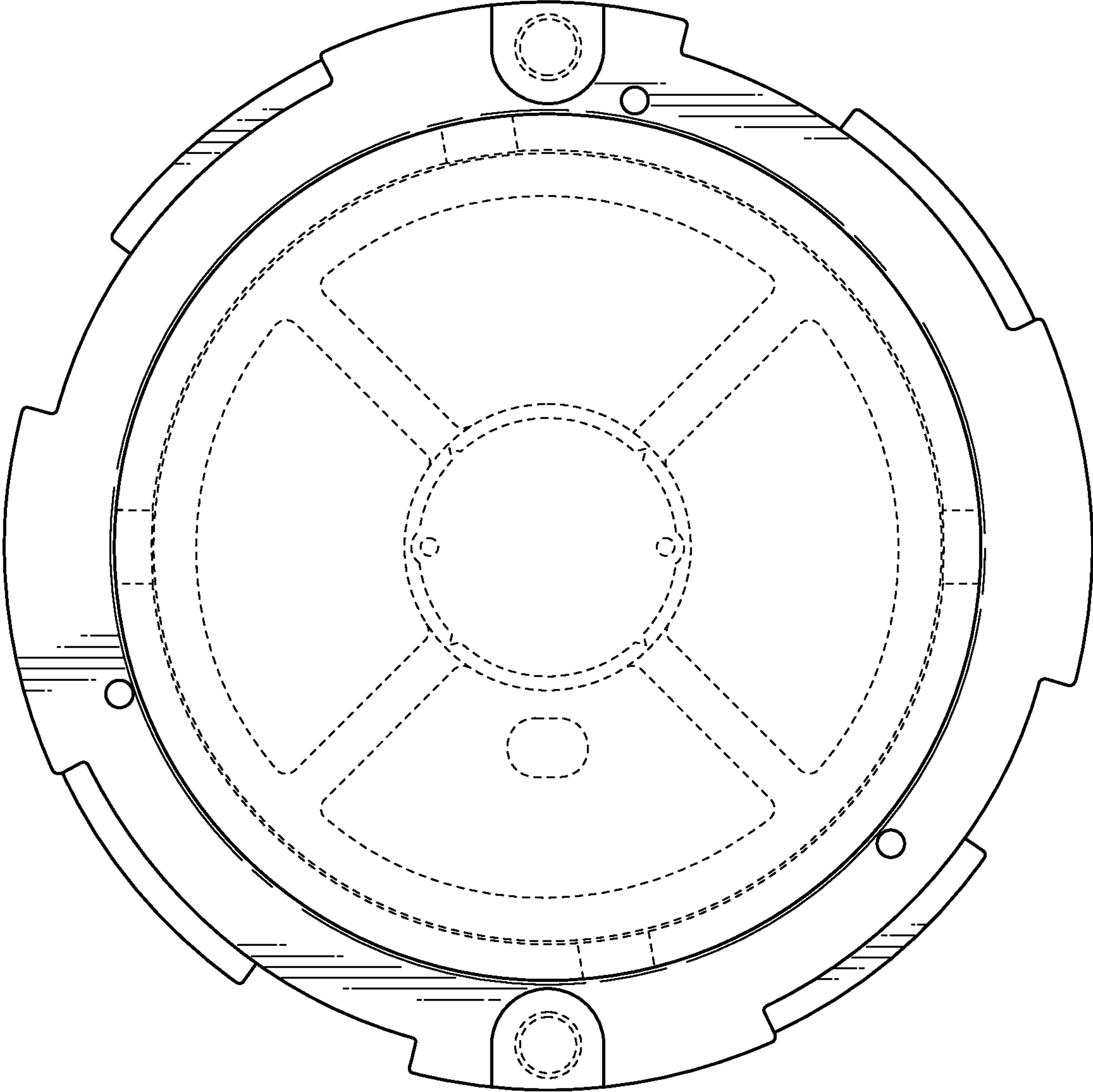


FIG. 7