



US00D910222S

(12) **United States Design Patent**
Zhang

(10) **Patent No.:** **US D910,222 S**

(45) **Date of Patent:** **** Feb. 9, 2021**

(54) **LED GROW LIGHT**

(71) Applicant: **Shenzhen DengYang OPTO Technology Co. Ltd**, Guangdong (CN)

(72) Inventor: **Renjie Zhang**, Guangdong (CN)

(73) Assignee: **Shenzhen DengYang OPTO Technology Co. Ltd**, Shenzhen (CN)

(**) Term: **15 Years**

(21) Appl. No.: **29/735,952**

(22) Filed: **May 26, 2020**

(51) **LOC (13) Cl.** **26-05**

(52) **U.S. Cl.**
USPC **D26/72**

(58) **Field of Classification Search**
USPC D26/72, 76, 80, 89
CPC F21S 8/03; F21S 8/031; F21S 8/04; F21S 8/043; F21S 8/06; F21V 29/677; A01G 7/045

See application file for complete search history.

(56) **References Cited**

U.S. PATENT DOCUMENTS

D632,007 S	2/2011	Kim et al.	
D637,752 S *	5/2011	Mekhtarian	D26/72
D779,101 S *	2/2017	Redfern	D26/74
D809,696 S *	2/2018	Wheatley	D26/74
10,034,358 B1 *	7/2018	Chen	H05B 45/20
D838,032 S *	1/2019	Drew	D26/118
D870,344 S *	12/2019	Chen	D26/74
D870,357 S	12/2019	Hu	
D883,554 S	5/2020	Zeng et al.	
D891,679 S *	7/2020	Cornelissen	D26/89

D893,076 S *	8/2020	Liu	D26/76
2009/0303711 A1 *	12/2009	Remus	F21V 15/01 362/234
2011/0205738 A1 *	8/2011	Peifer	F21K 9/20 362/249.02
2012/0104977 A1 *	5/2012	McKenzie	A01G 7/045 315/312
2013/0258660 A1 *	10/2013	Kim	F21V 21/03 362/235
2015/0219319 A1 *	8/2015	Li	F21V 23/008 362/308

OTHER PUBLICATIONS

COB LED Grow Light UT01 Full Spectrum by Canagrow available at amazon.com as early as Aug. 25, 2018. (Year: 2018).*
IPlantop Daisy Chain 1500w LED Grow Light, available at amazon.com Aug. 1, 2020. (Year: 2020).*

* cited by examiner

Primary Examiner — Clare E Heflin

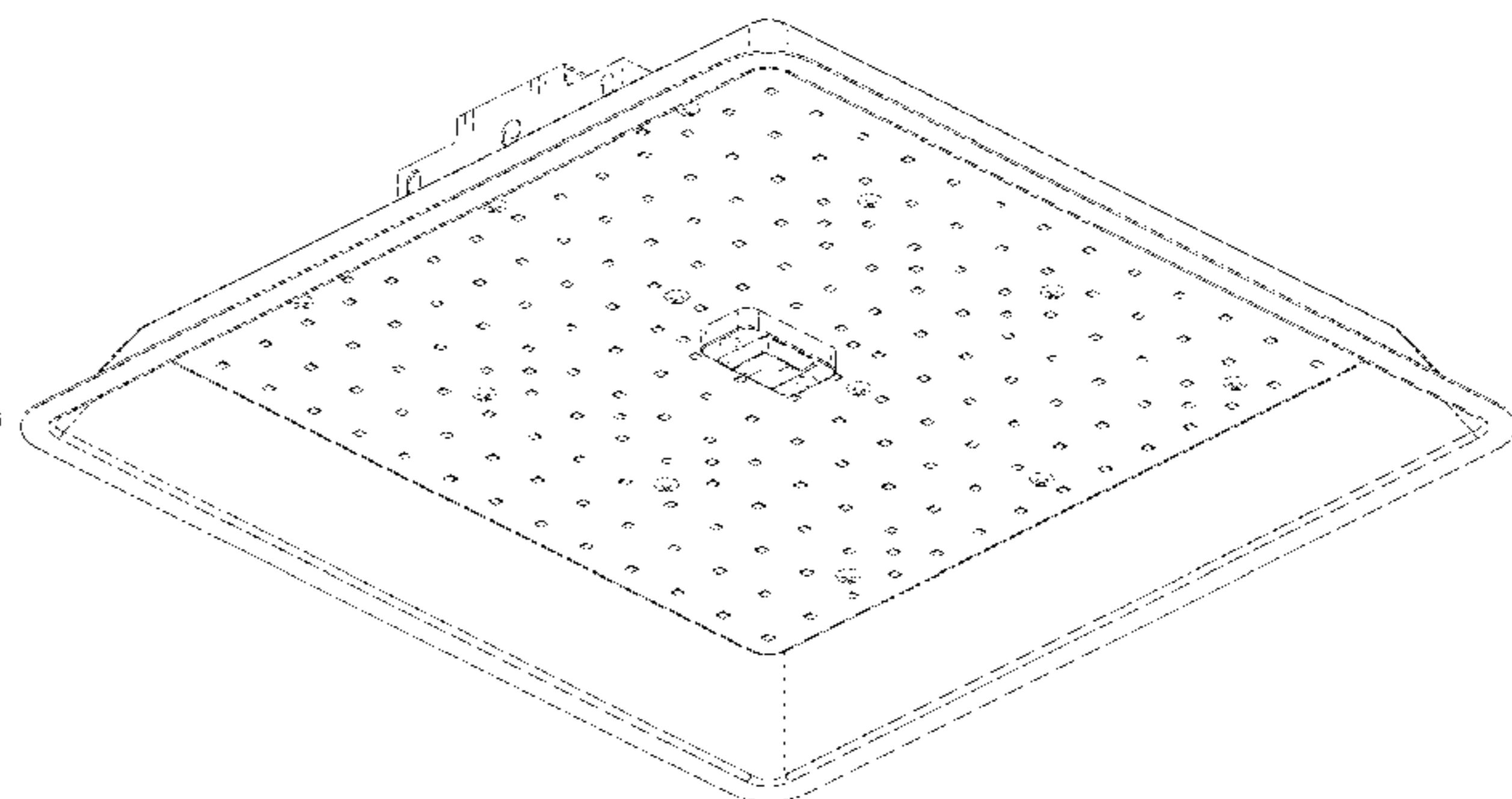
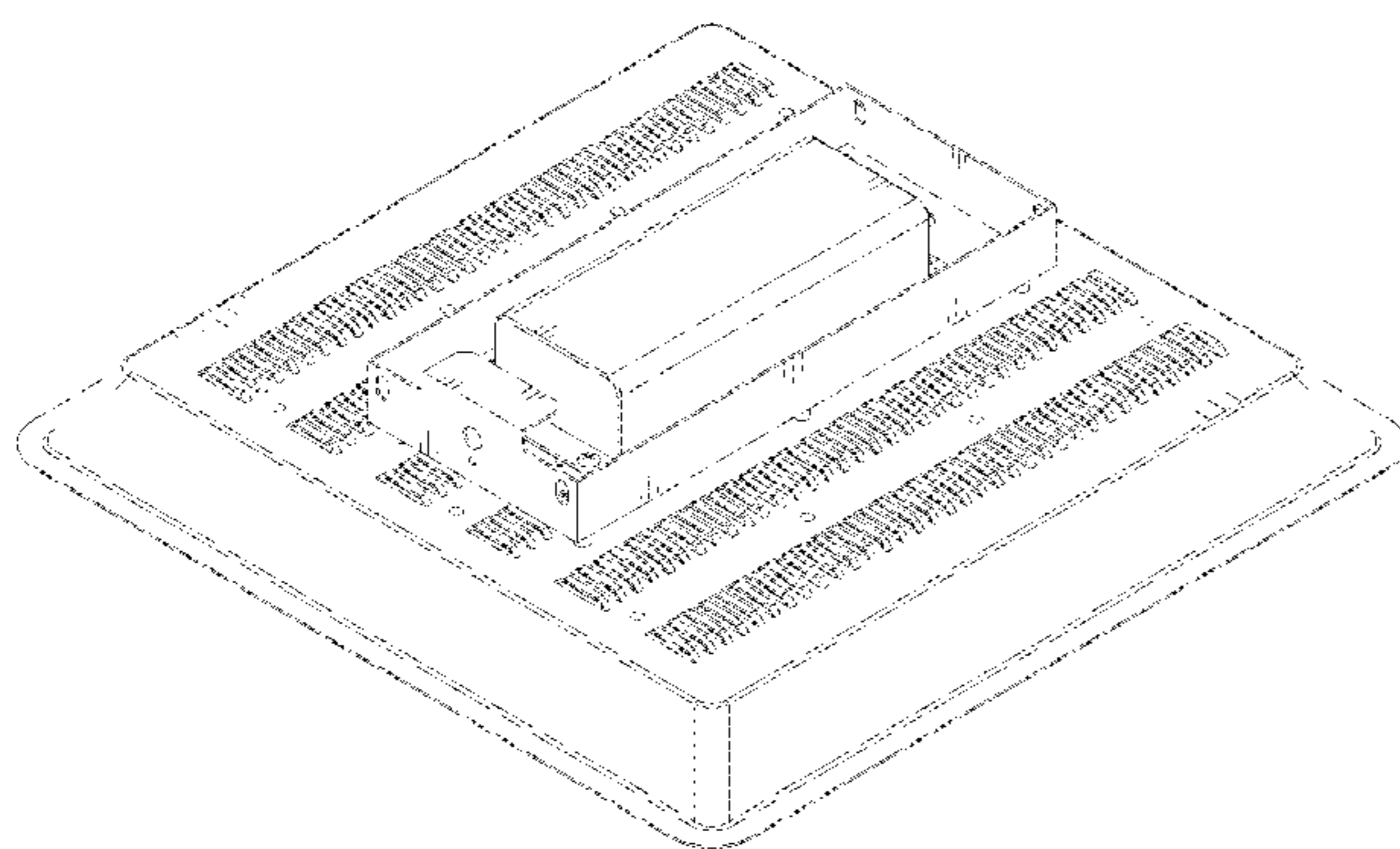
(57) **CLAIM**

The ornamental design for an LED grow light, as shown and described.

DESCRIPTION

FIG. 1 is a top perspective view of the LED grow light showing my new design.
FIG. 2 is a front elevational view thereof;
FIG. 3 is a rear elevational view thereof;
FIG. 4 is a left side elevational view thereof;
FIG. 5 is a right side elevational view thereof;
FIG. 6 is a top plan view thereof;
FIG. 7 is a bottom plan view thereof; and,
FIG. 8 is a bottom perspective view thereof.
The broken lines in the drawings depict portions of the LED grow light that form no part of the claimed design.

1 Claim, 8 Drawing Sheets



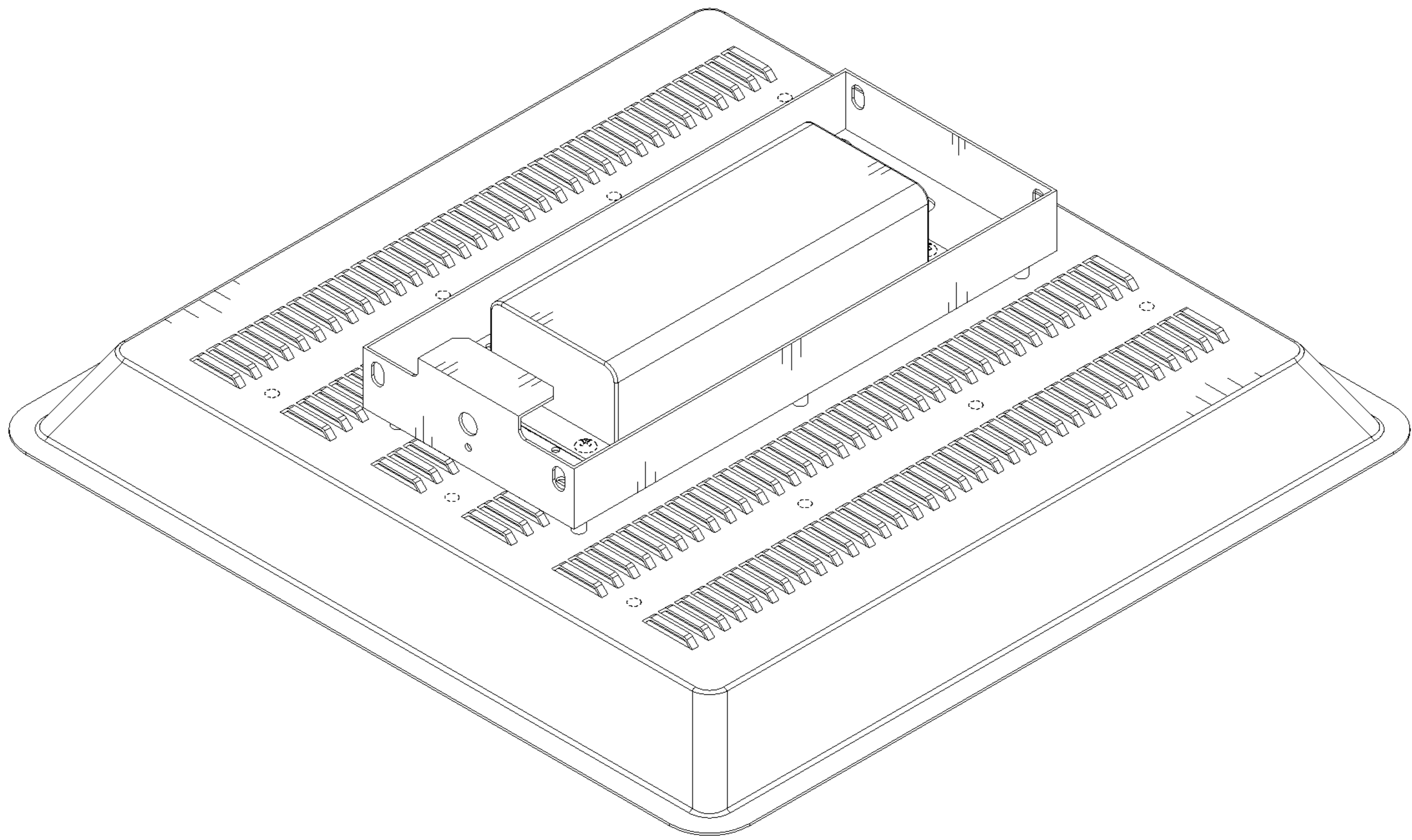


FIG. 1

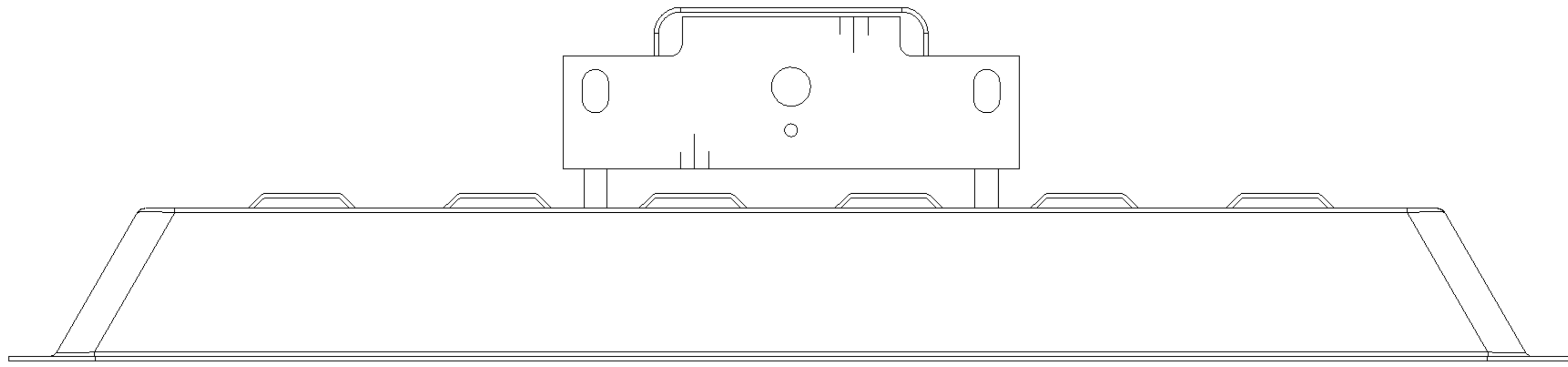


FIG. 2

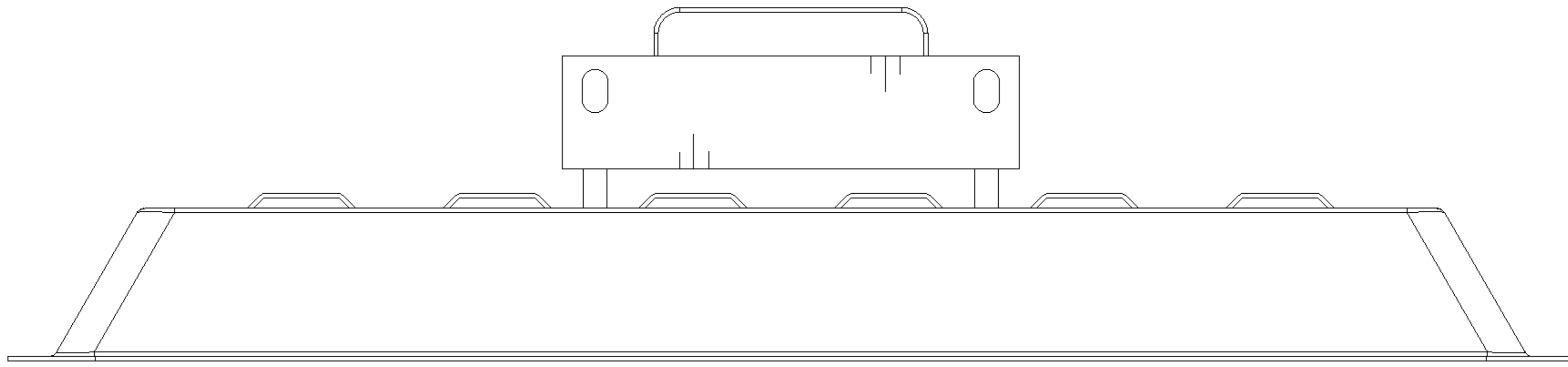


FIG. 3

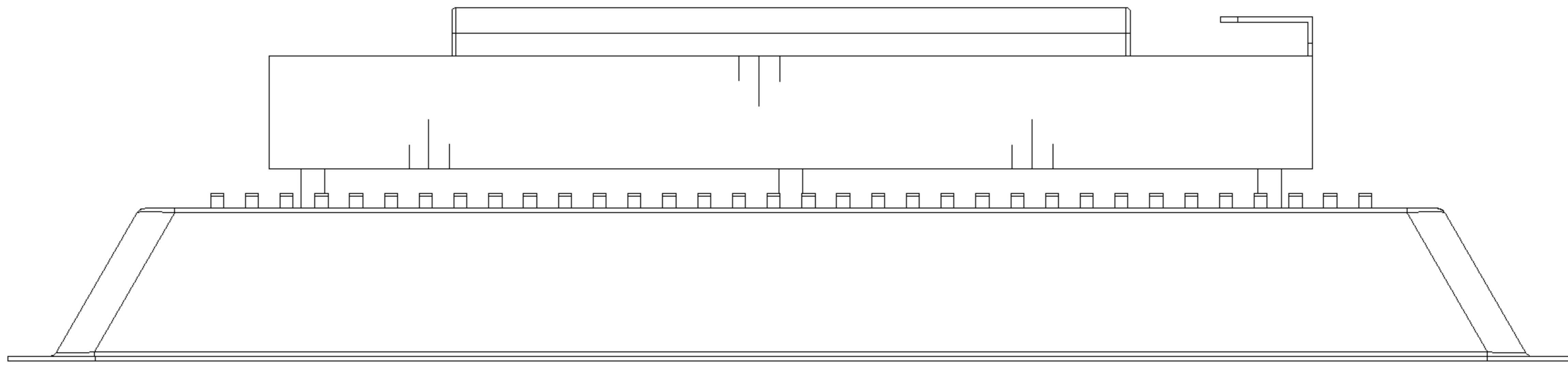


FIG. 4

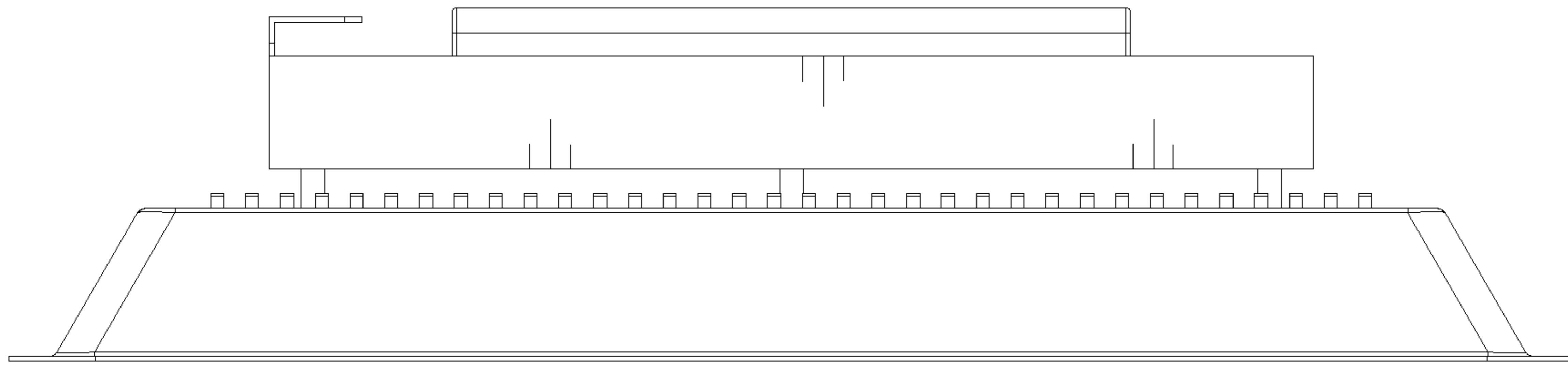


FIG. 5

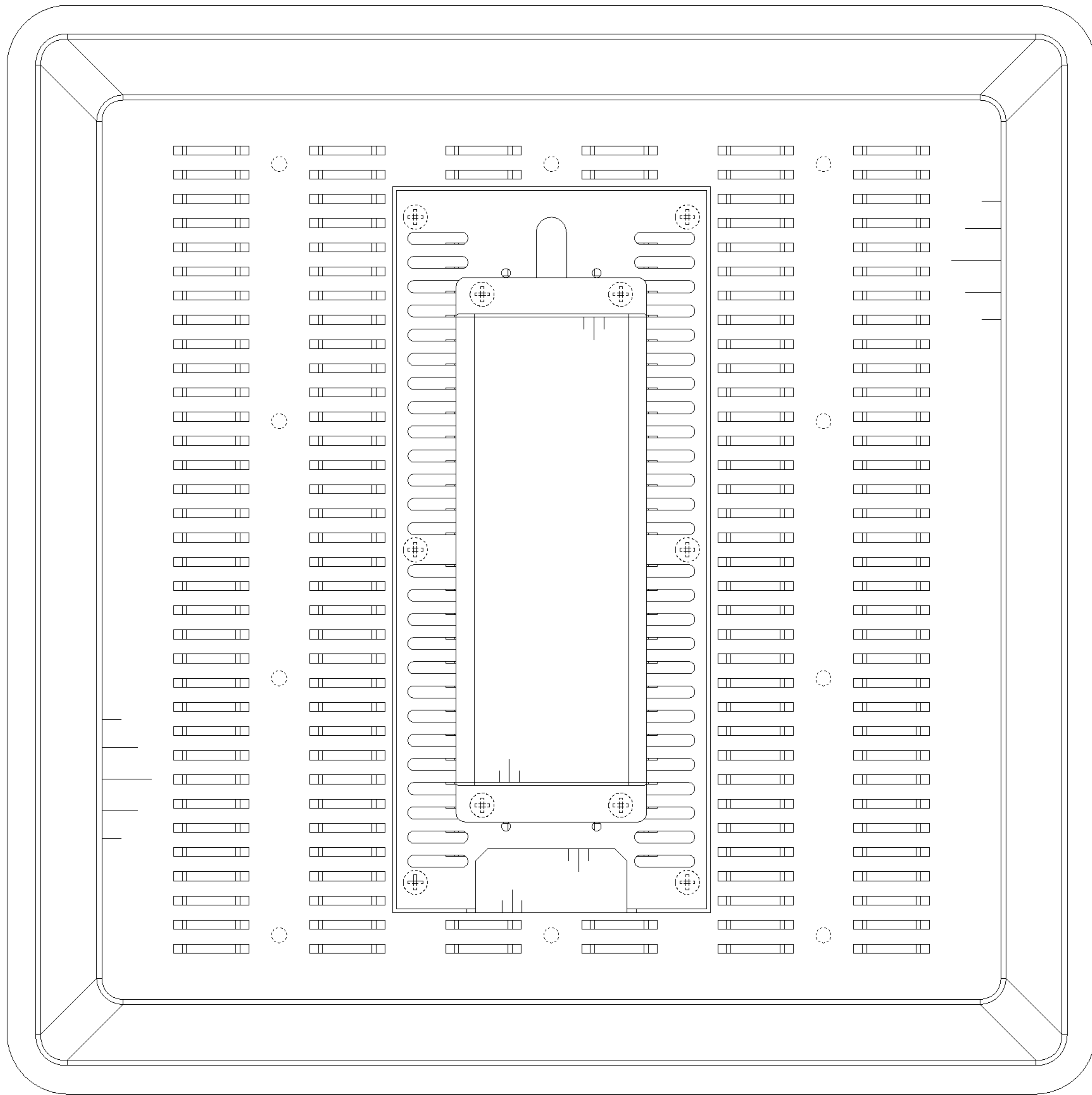


FIG. 6

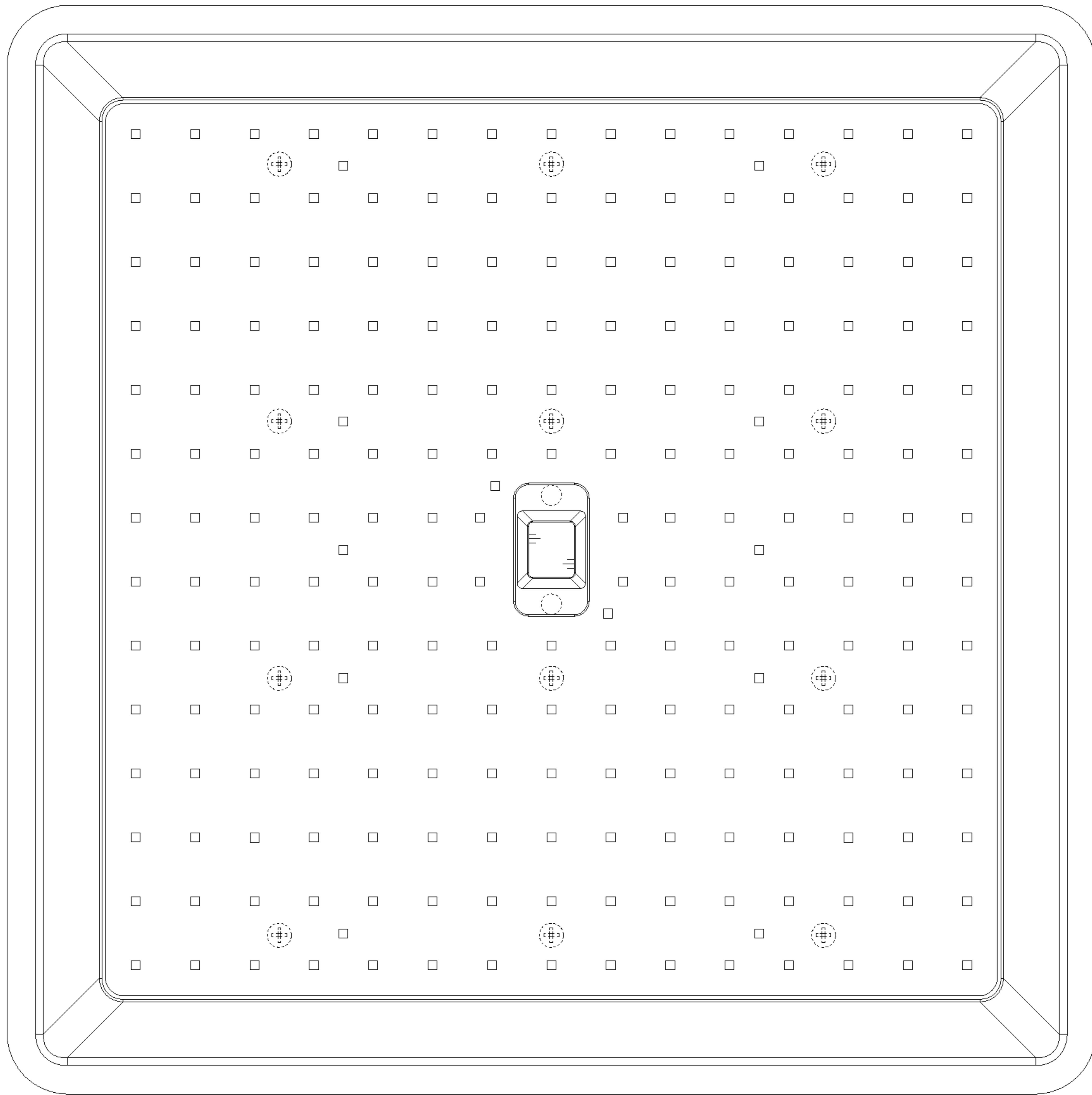


FIG. 7

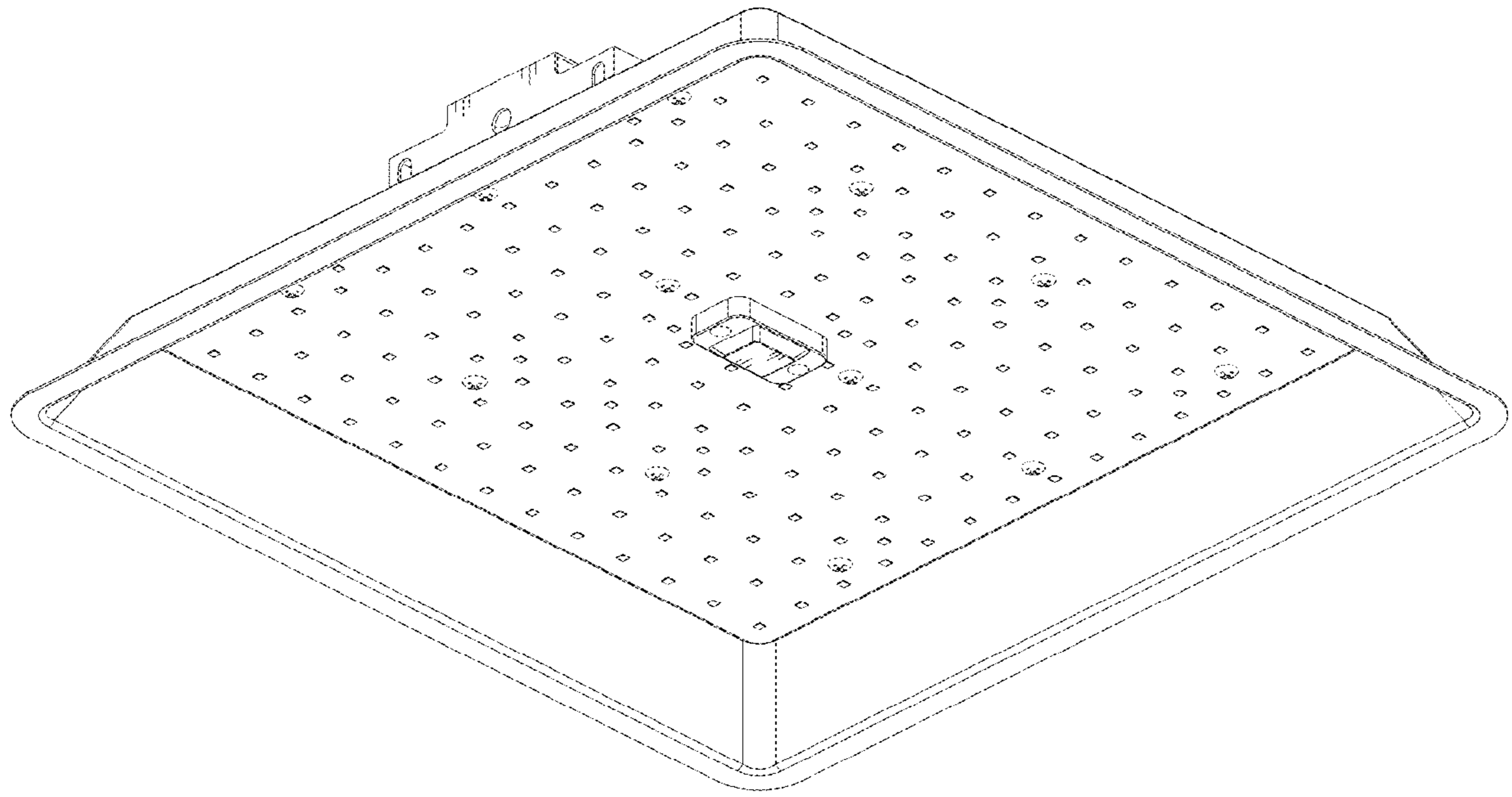


FIG. 8