



US00D910220S

(12) **United States Design Patent**  
**Wang**

(10) **Patent No.:** **US D910,220 S**

(45) **Date of Patent:** **\*\* Feb. 9, 2021**

(54) **RING LIGHT WITH LOCK**

(71) Applicant: **Zhaoxia Wang**, Shenzhen (CN)

(72) Inventor: **Zhaoxia Wang**, Shenzhen (CN)

(\*\*) Term: **15 Years**

(21) Appl. No.: **29/748,289**

(22) Filed: **Aug. 28, 2020**

(51) **LOC (13) Cl.** ..... **26-03**

(52) **U.S. Cl.**  
USPC ..... **D26/63**

(58) **Field of Classification Search**  
USPC ..... D26/24, 60-71, 85, 92, 113, 118, 119  
CPC ..... F21V 21/14; F21V 15/01; F21V 14/02;  
F21V 21/30; F21V 14/00; F21Y  
2105/001; F21S 8/00  
See application file for complete search history.

(56) **References Cited**

**U.S. PATENT DOCUMENTS**

D622,876 S	8/2010	Takahashi	
D625,847 S	10/2010	Maglica	
D626,255 S	10/2010	Hiratsuka	
D636,899 S	4/2011	Shibahara	
D683,482 S	5/2013	Bierhuizen	
D690,457 S *	9/2013	Lu	D26/118

D827,180 S *	8/2018	Mou	D26/72
D843,430 S *	3/2019	Hodgson	D16/135
D854,227 S *	7/2019	Yu	D26/106
D855,242 S *	7/2019	Chen	D26/106
D877,392 S *	3/2020	Yu	D26/79
D879,358 S *	3/2020	Du	D26/106
D887,590 S	6/2020	Ke	
D901,054 S *	11/2020	Zhao	D26/61

\* cited by examiner

*Primary Examiner* — Brian N. Vinson

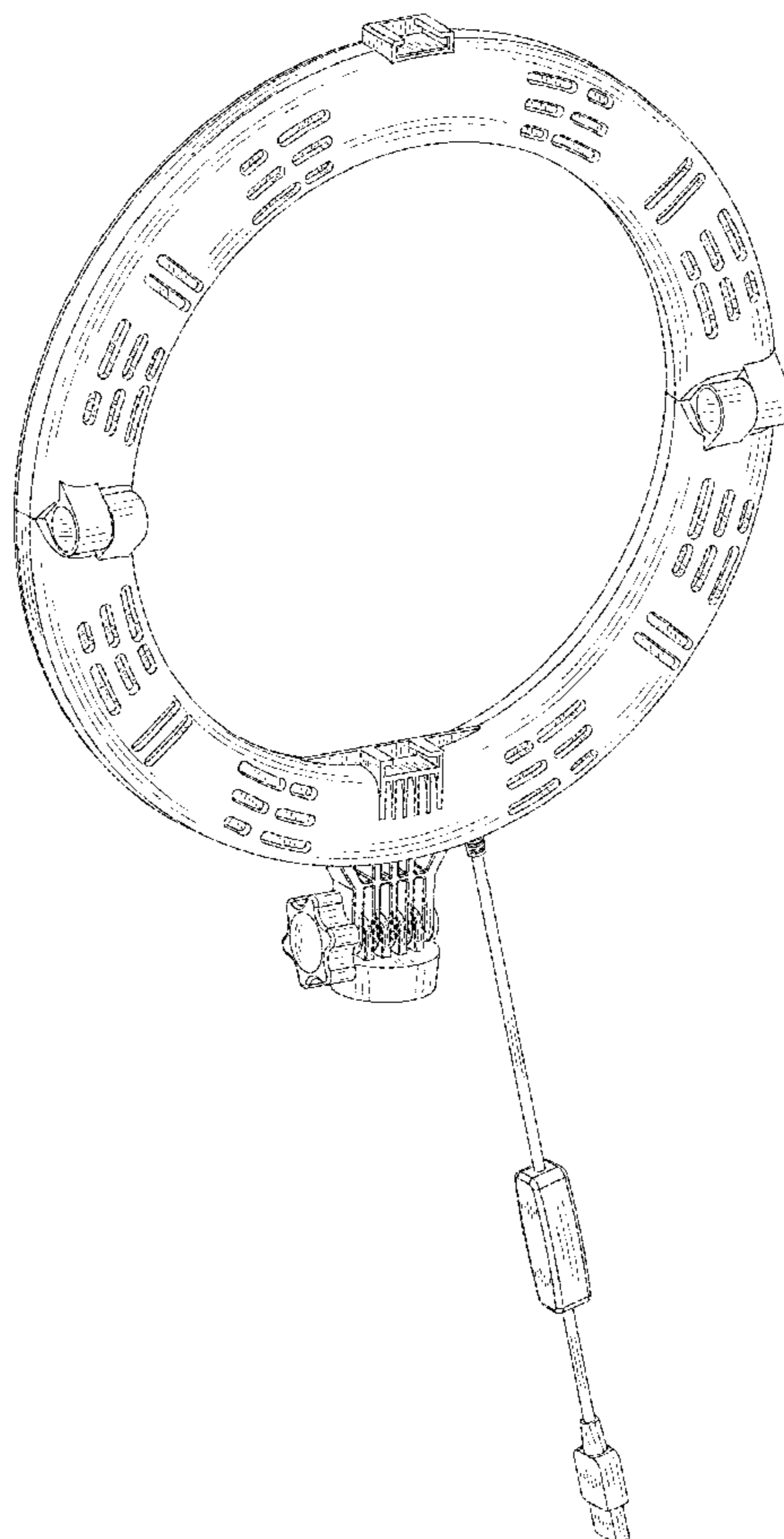
(57) **CLAIM**

The ornamental design for a ring light with lock, as shown and described.

**DESCRIPTION**

FIG. 1 is a perspective view of a ring light with lock showing my new design;  
FIG. 2 is a front elevational view thereof;  
FIG. 3 is a rear elevational view thereof;  
FIG. 4 is a left side elevational view thereof;  
FIG. 5 is a right side elevational view thereof;  
FIG. 6 is a top plan view thereof; and  
FIG. 7 is a bottom plan view thereof; and,  
FIG. 8 is another perspective view thereof.

**1 Claim, 8 Drawing Sheets**



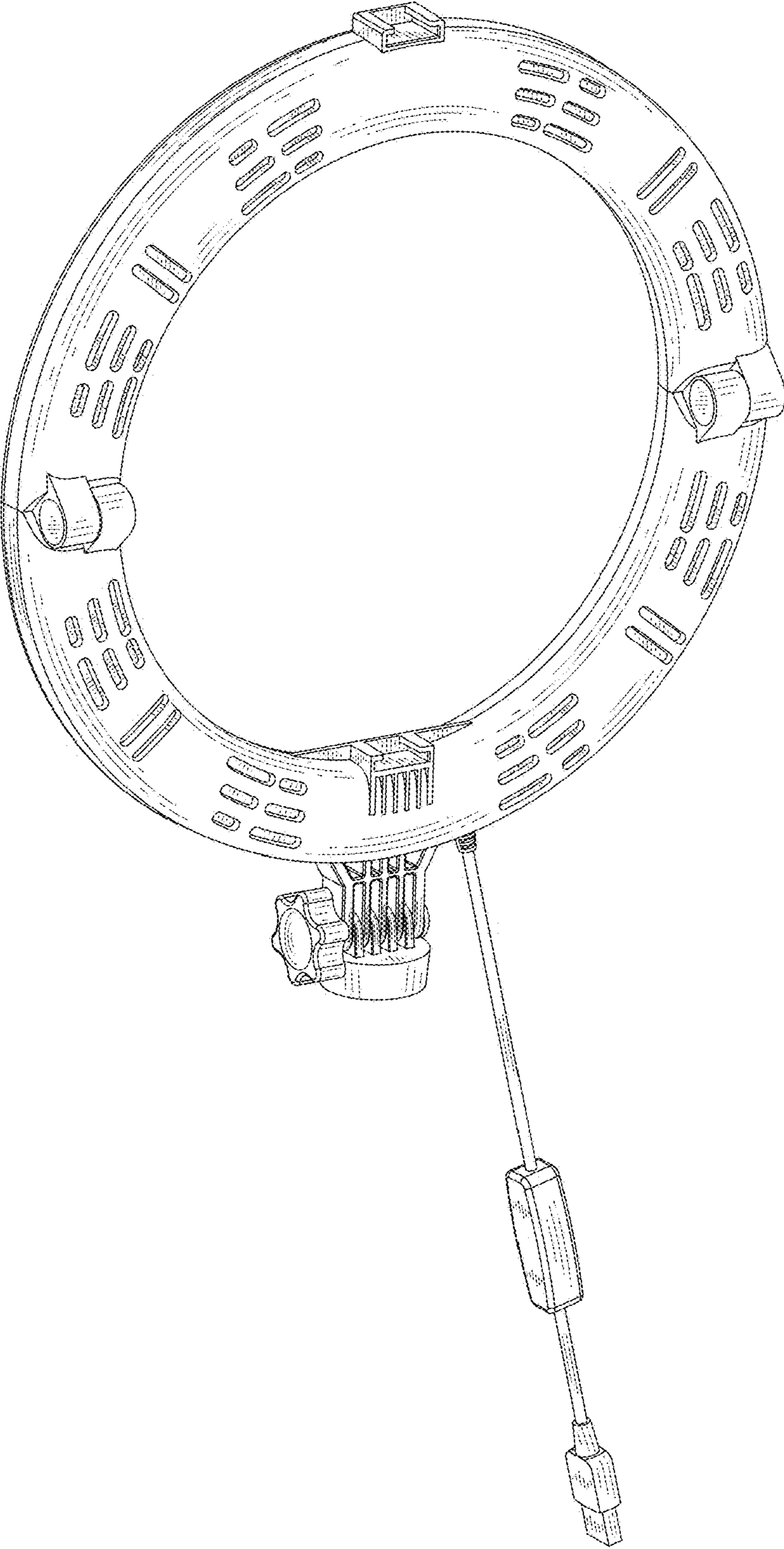


FIG.1

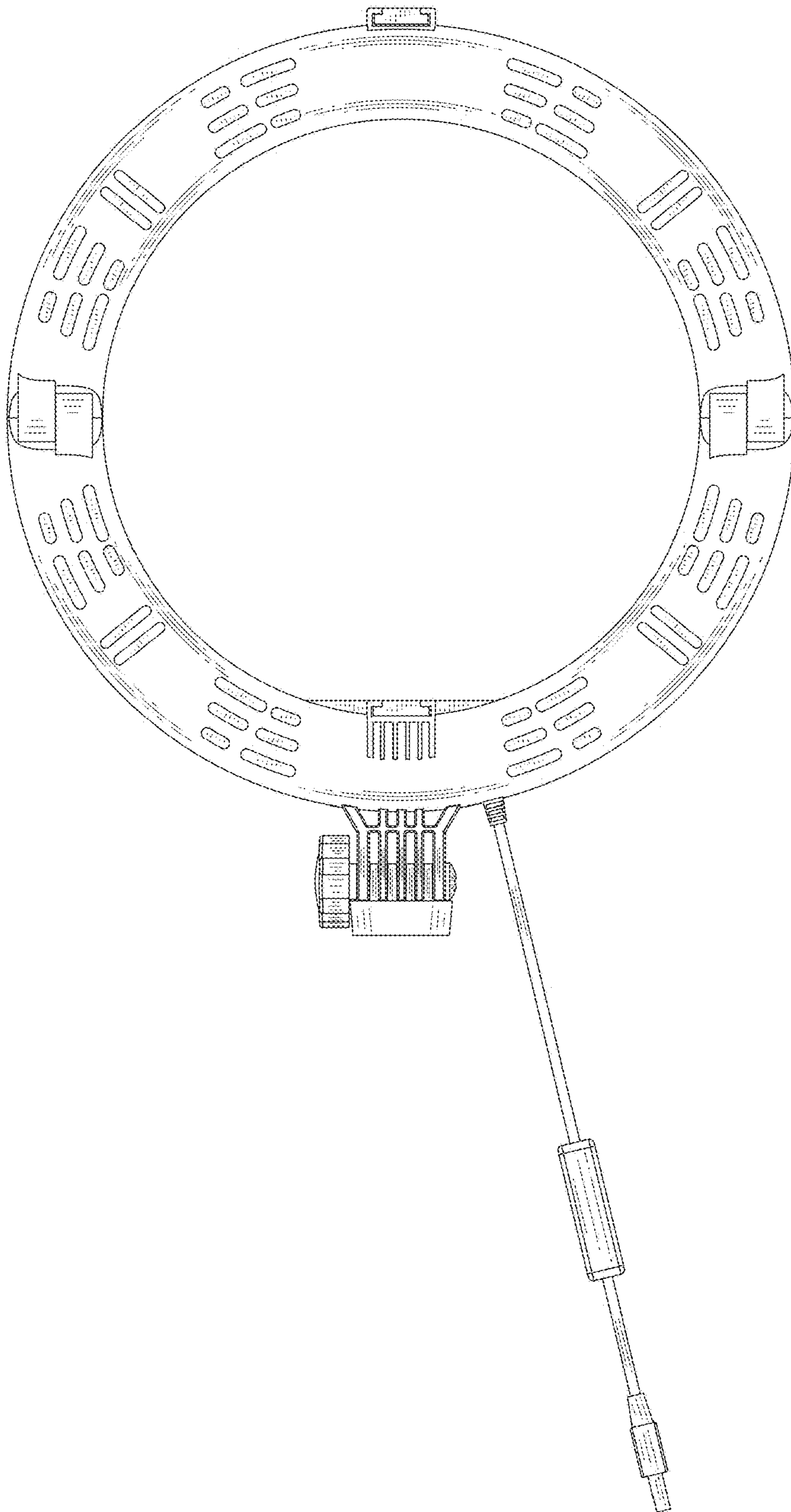


FIG. 2

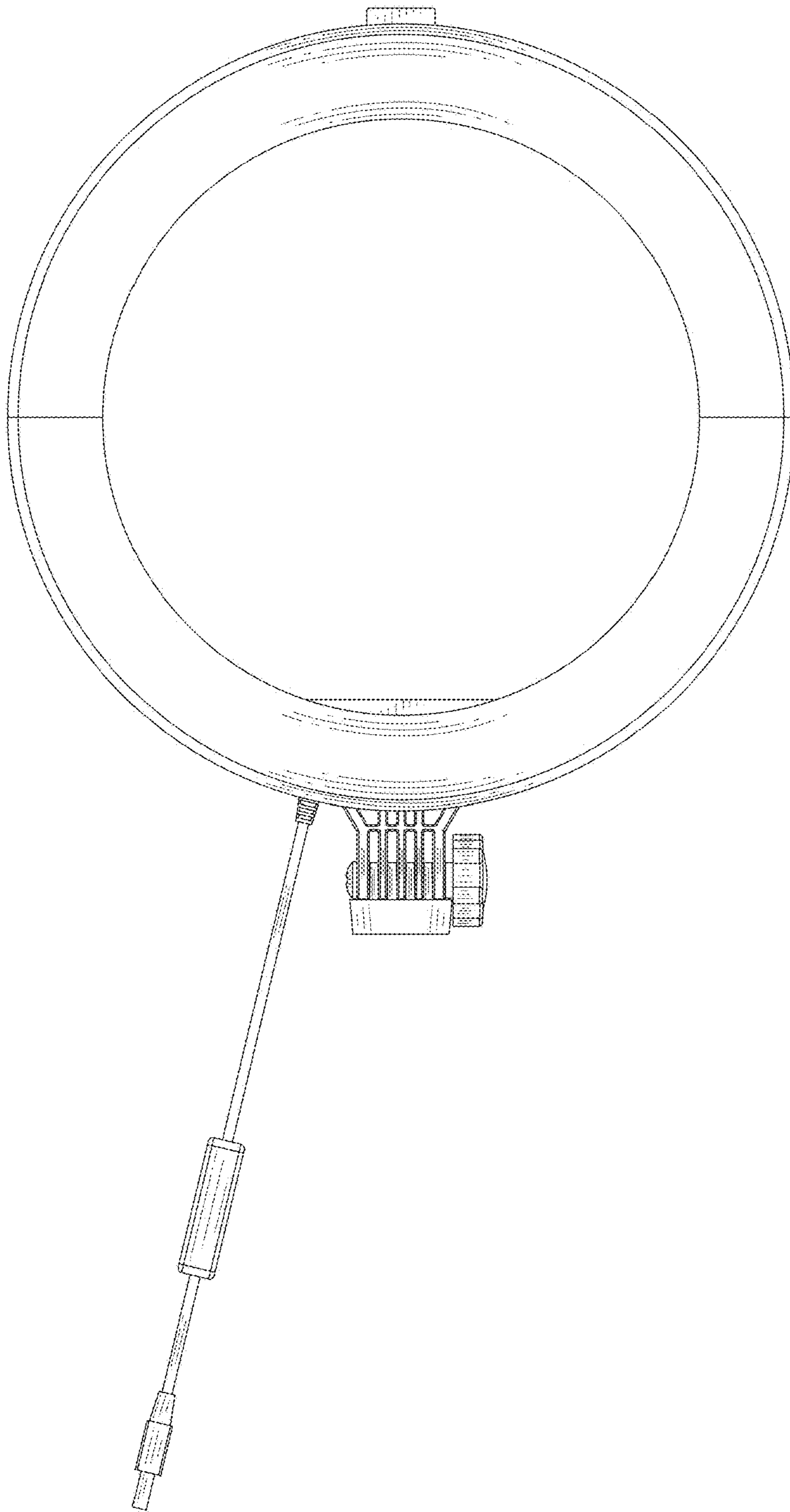


FIG.3

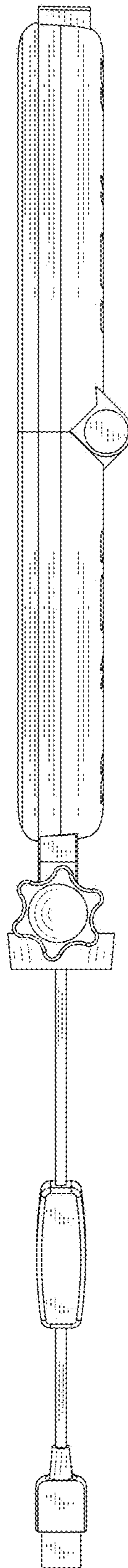


FIG.4

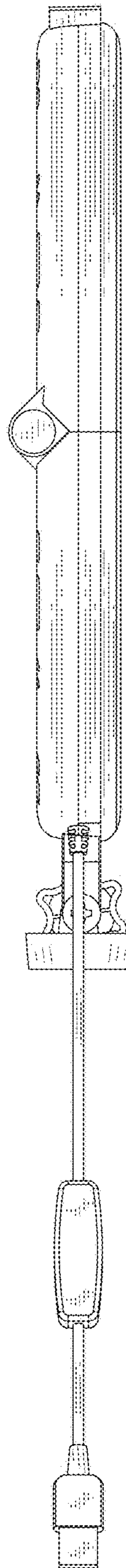


FIG.5

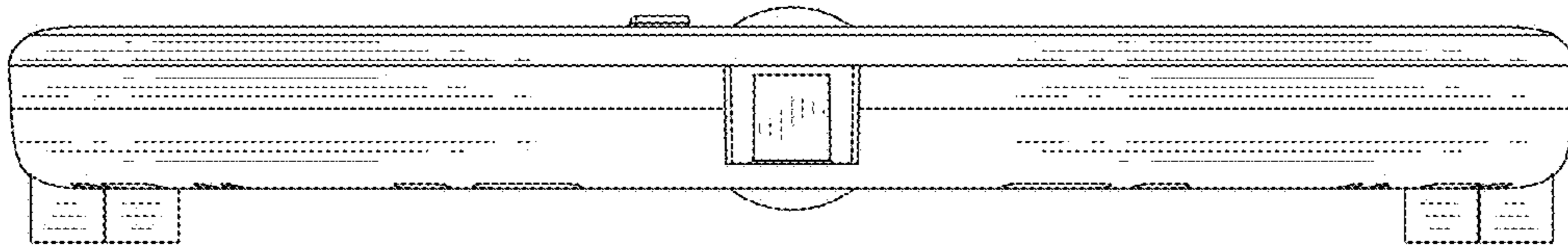


FIG.6

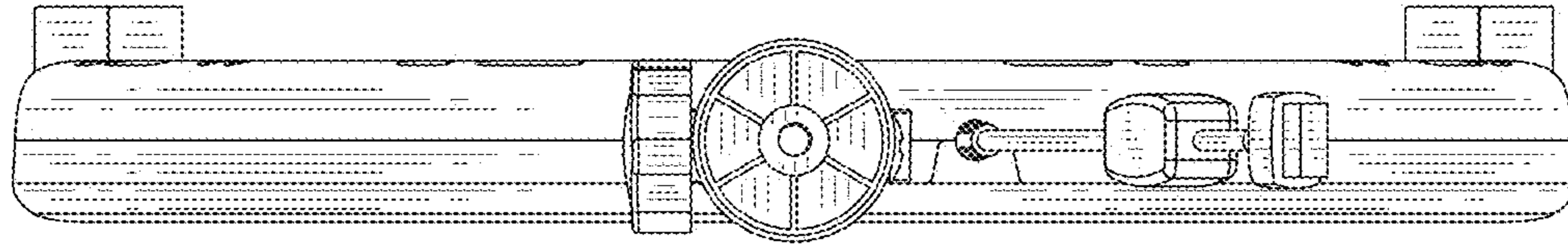


FIG.7



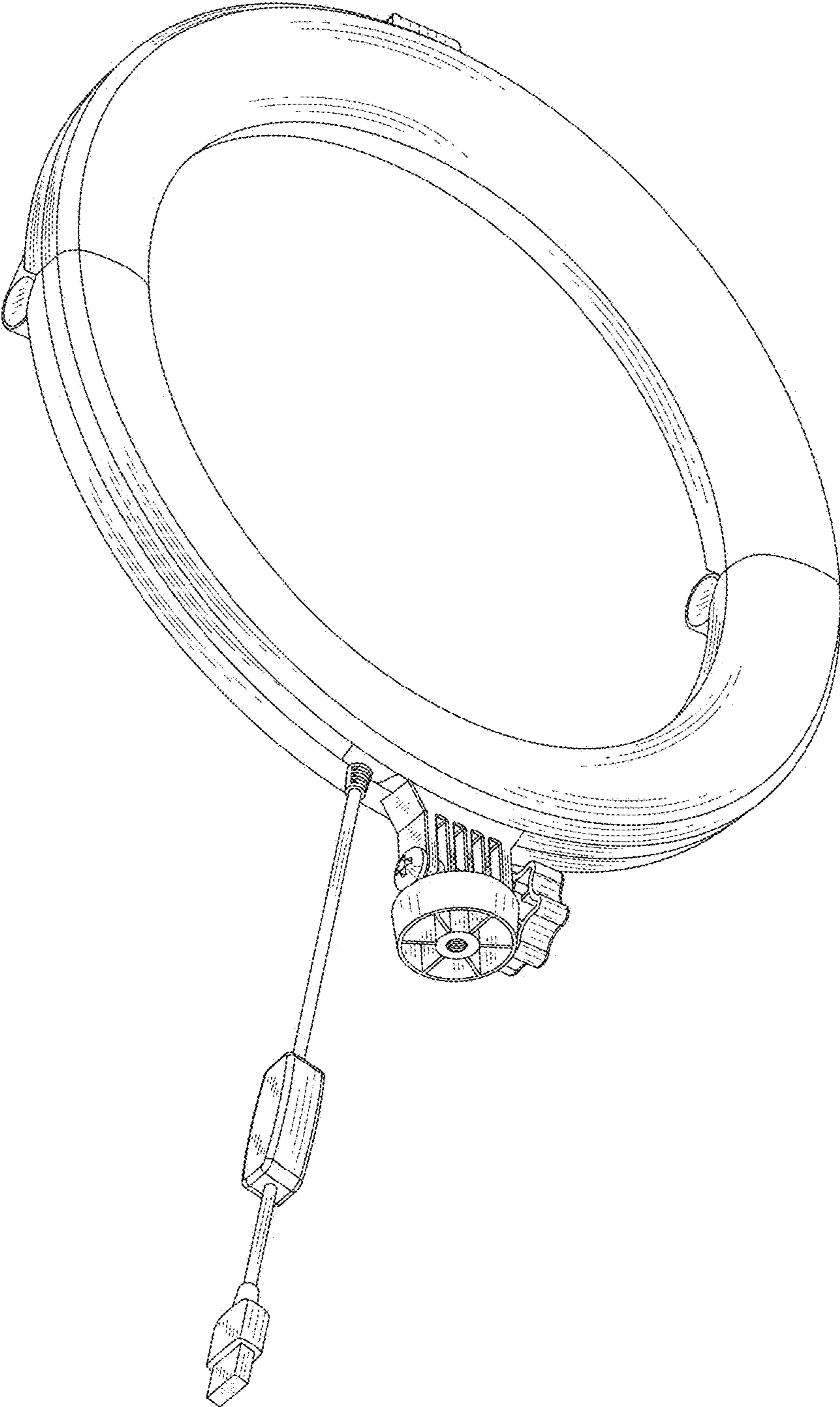


FIG.8