



US00D910219S

(12) **United States Design Patent**
Frost

(10) **Patent No.:** **US D910,219 S**

(45) **Date of Patent:** **** Feb. 9, 2021**

(54) **WALL LIGHT**

(71) Applicant: **Christopher Frost**, Colchester (GB)

(72) Inventor: **Christopher Frost**, Colchester (GB)

(**) Term: **15 Years**

(21) Appl. No.: **29/707,099**

(22) Filed: **Sep. 26, 2019**

(51) **LOC (13) Cl.** **26-03**

(52) **U.S. Cl.**
USPC **D26/63**

(58) **Field of Classification Search**
USPC D26/1, 24, 61, 63, 65, 85, 92, 118
CPC F21V 21/14; F21V 15/01; F21V 14/02;
F21V 21/30; F21V 21/00; F21V 14/00;
F21S 8/00; F21S 8/003; F21S 8/043;
F21Y 2105/001

See application file for complete search history.

(56) **References Cited**

U.S. PATENT DOCUMENTS

D242,945 S * 1/1977 Moore D26/65
6,786,622 B1 * 9/2004 Rice B60Q 1/245
362/271

D849,297 S * 5/2019 Deng D26/63
D855,231 S * 7/2019 Huang D26/63
D882,142 S * 4/2020 Huang D26/63
D900,372 S * 10/2020 Peng D26/63

* cited by examiner

Primary Examiner — Brian N. Vinson

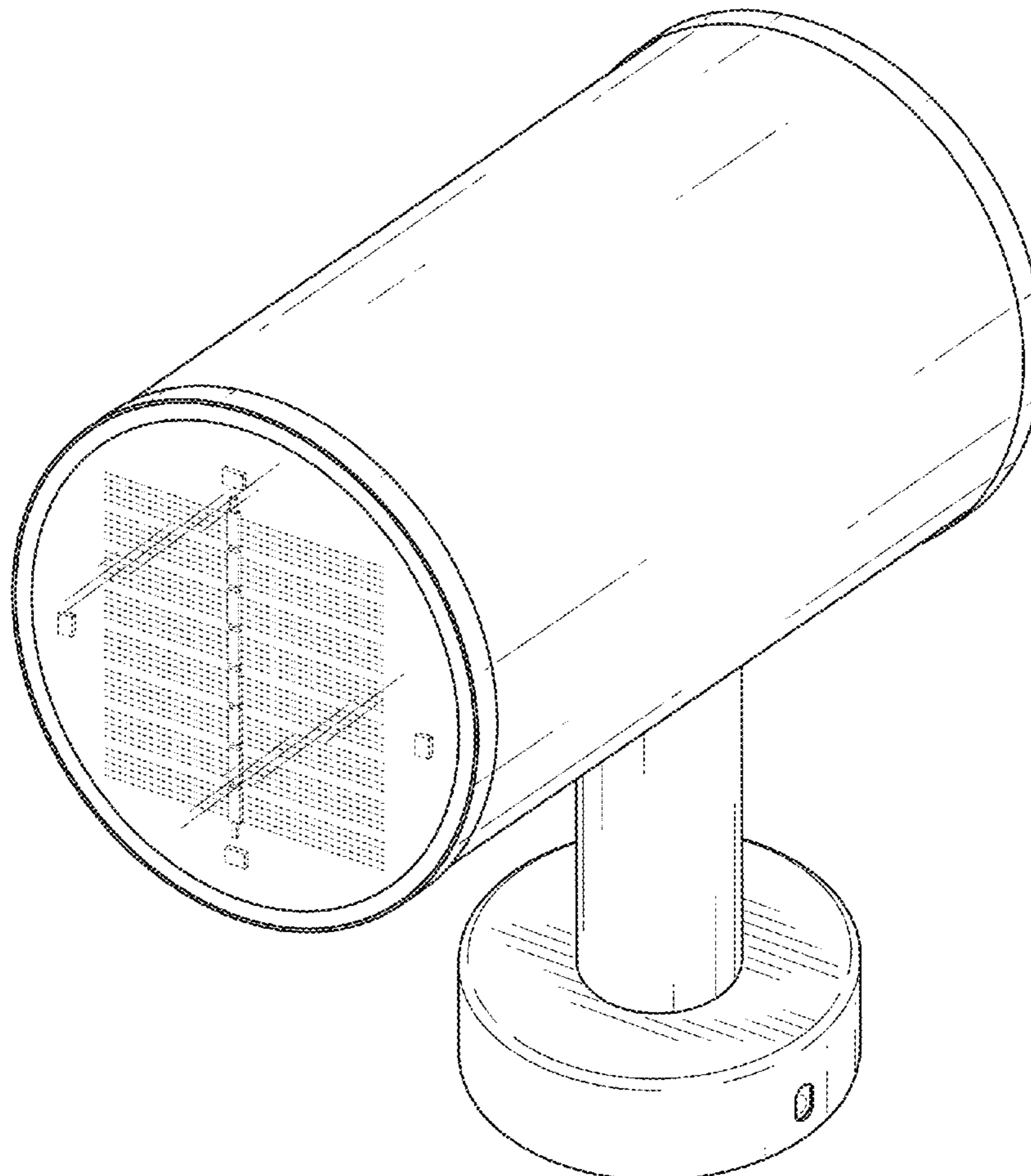
(57) **CLAIM**

The ornamental design for a wall light, as shown and described.

DESCRIPTION

FIG. 1 is a front perspective view of a wall light illustrating my new design;
FIG. 2 is a left side view thereof;
FIG. 3 is a right side view thereof;
FIG. 4 is a front view thereof;
FIG. 5 is a rear view thereof;
FIG. 6 is a top view thereof; and,
FIG. 7 is a bottom view thereof.
The broken lines shown in the drawings are for the purposes of illustrating environment and form no part of the claimed design.

1 Claim, 6 Drawing Sheets



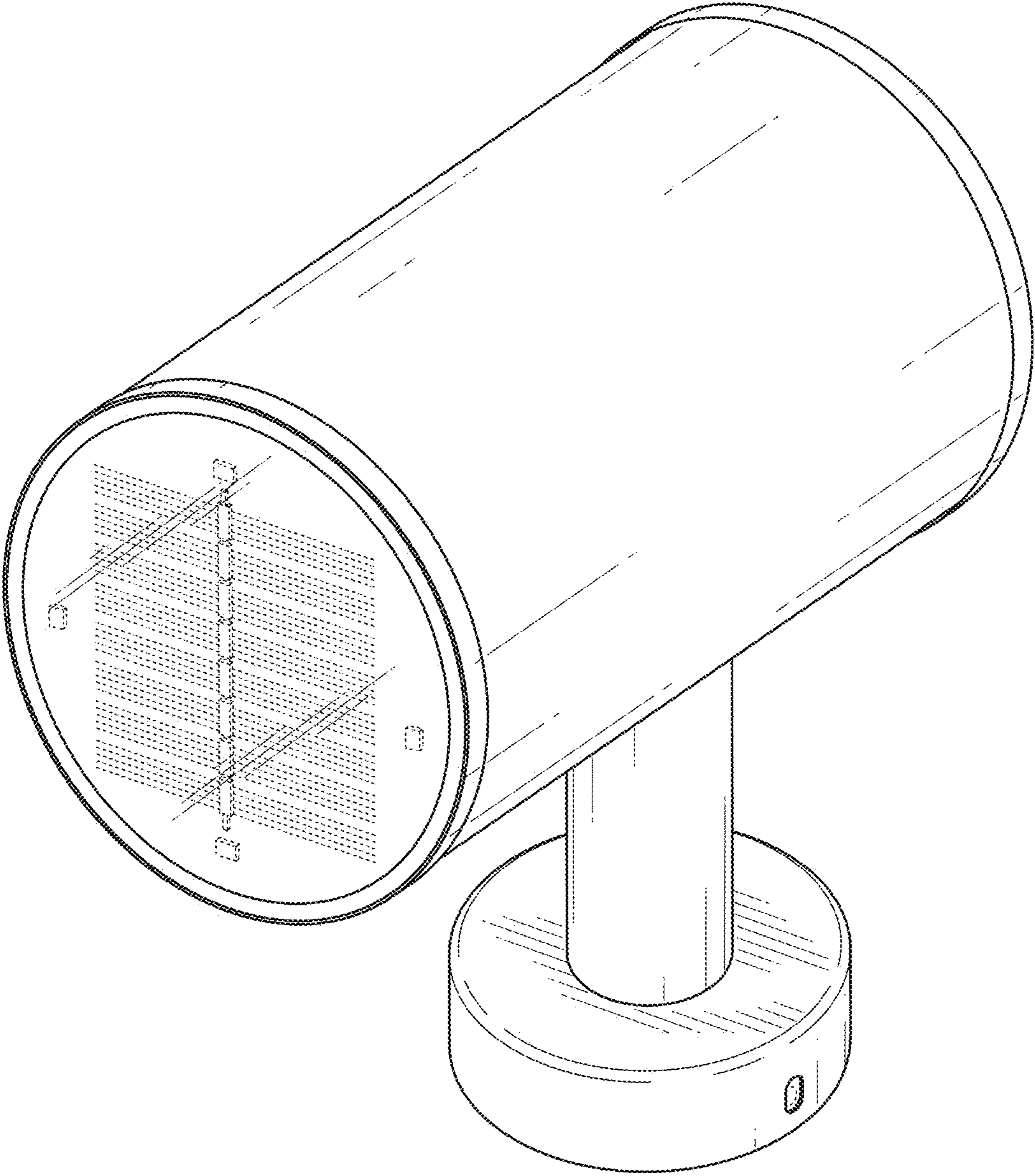


FIG. 1

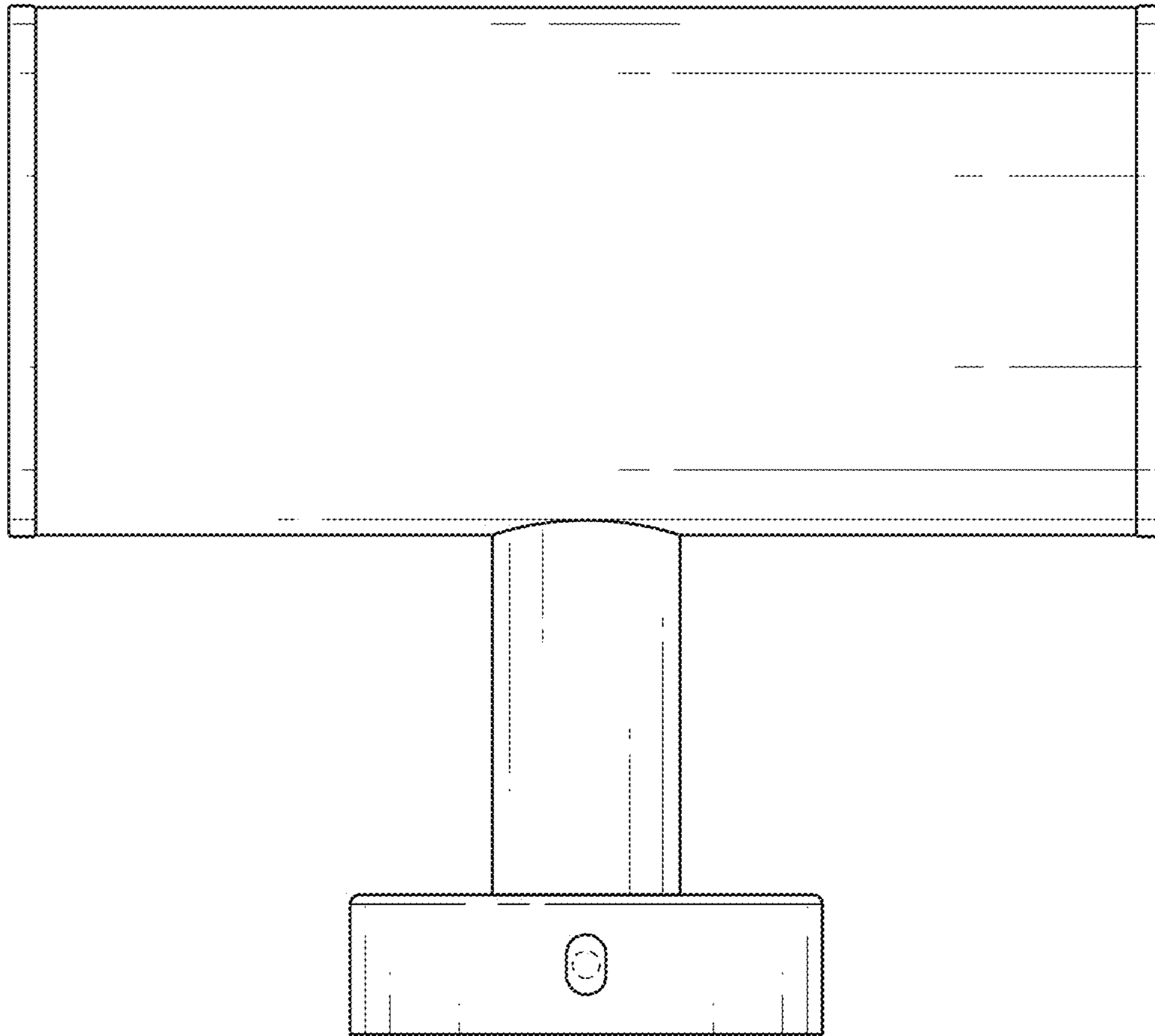


FIG. 2

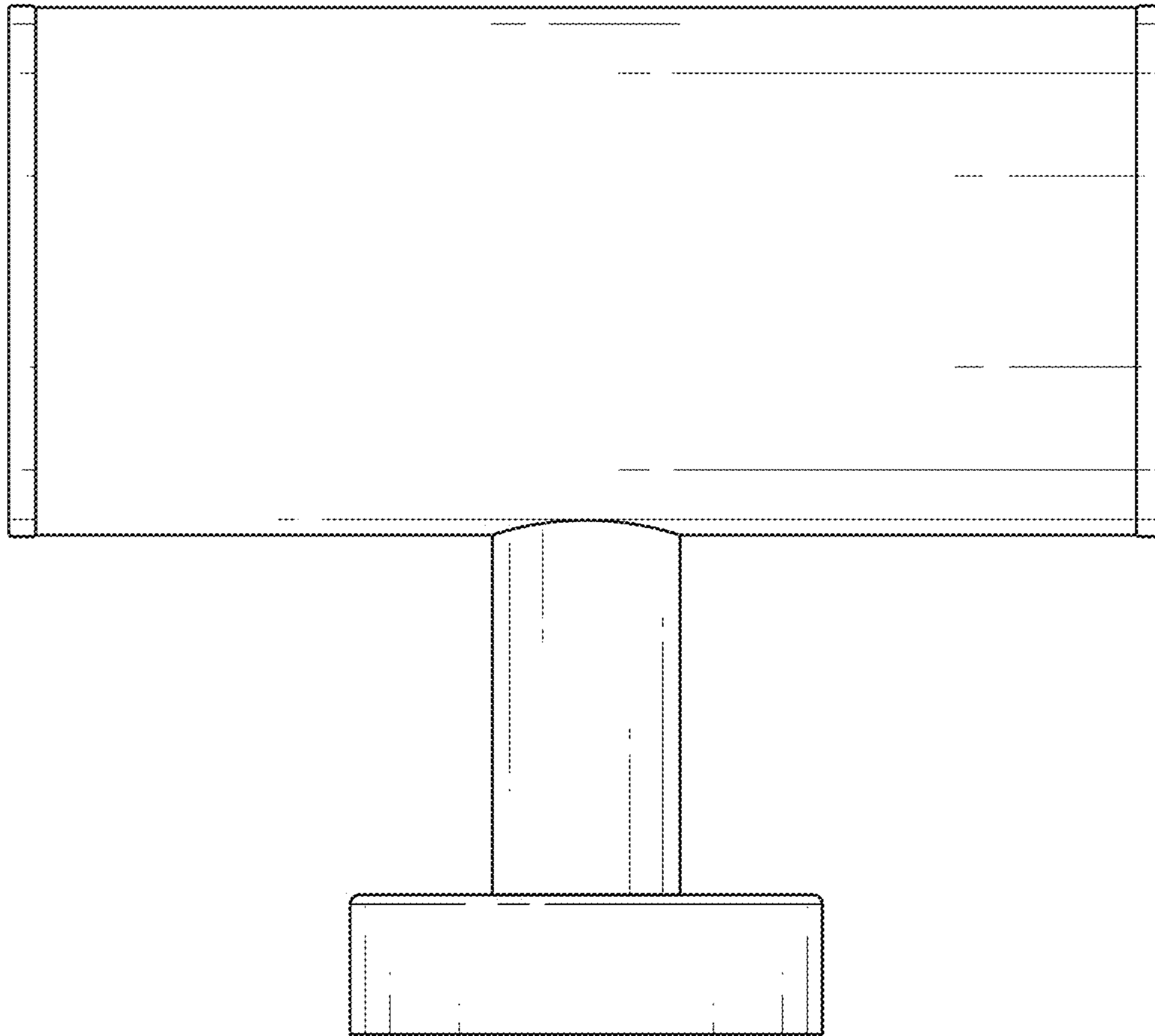


FIG. 3

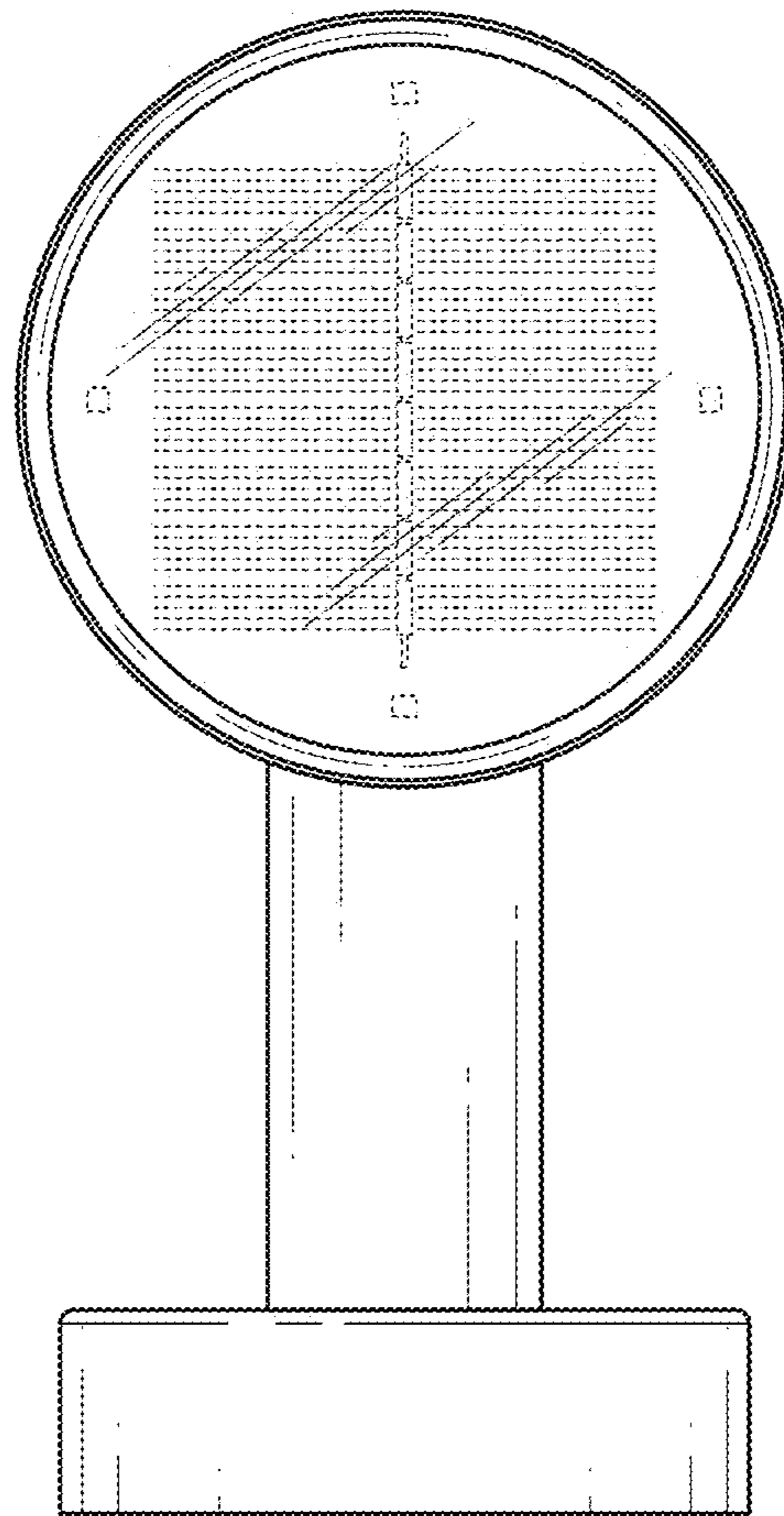


FIG. 4

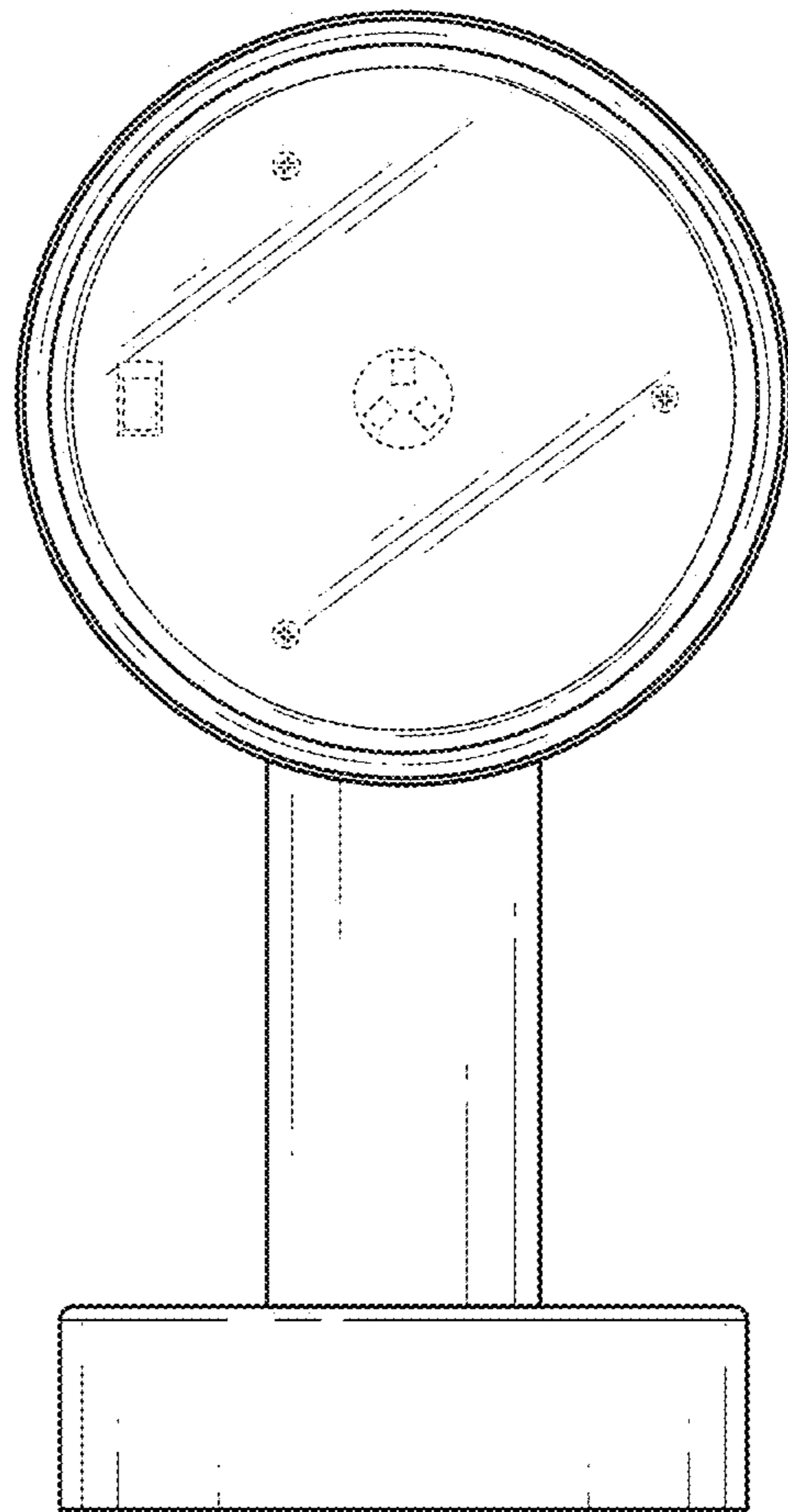


FIG. 5

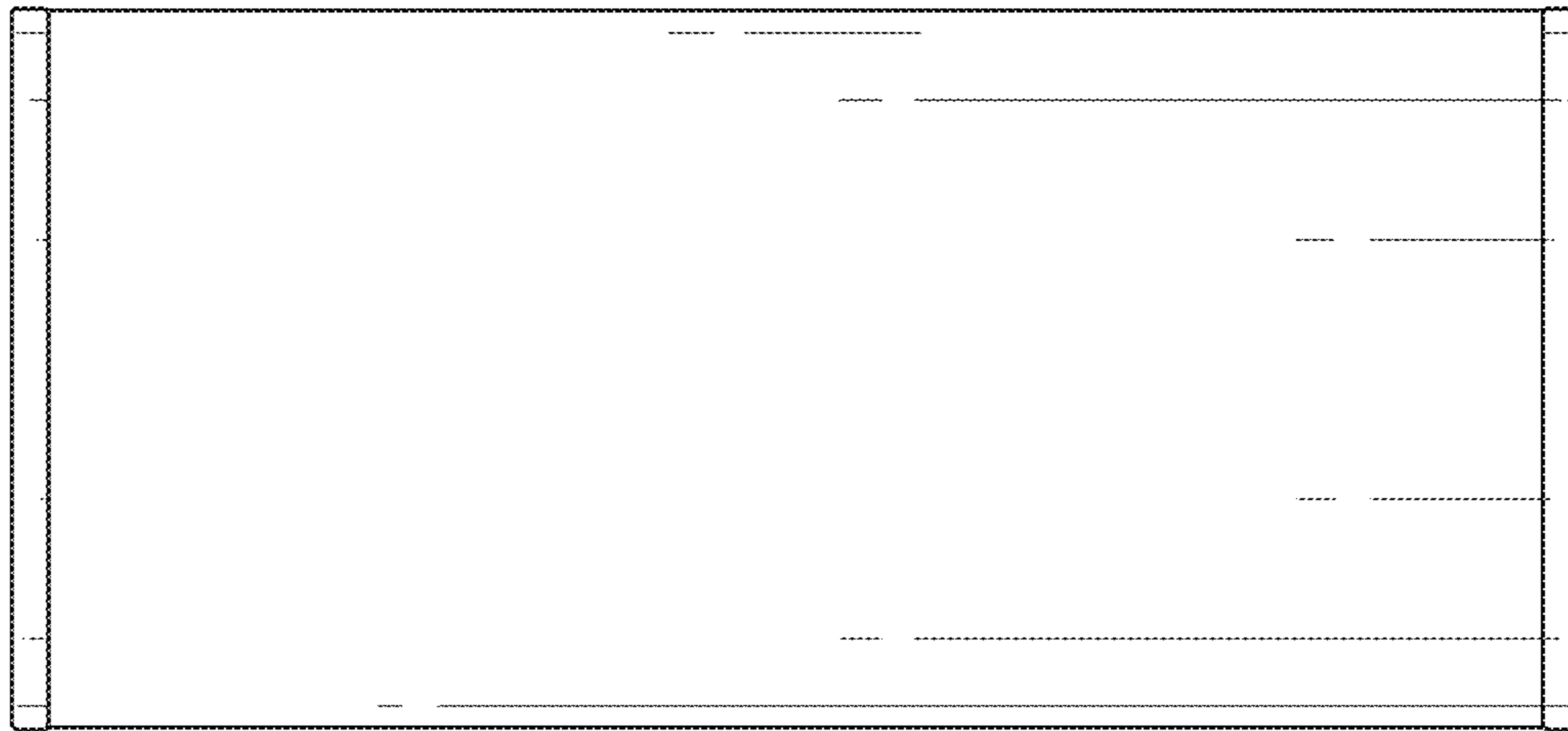


FIG. 6

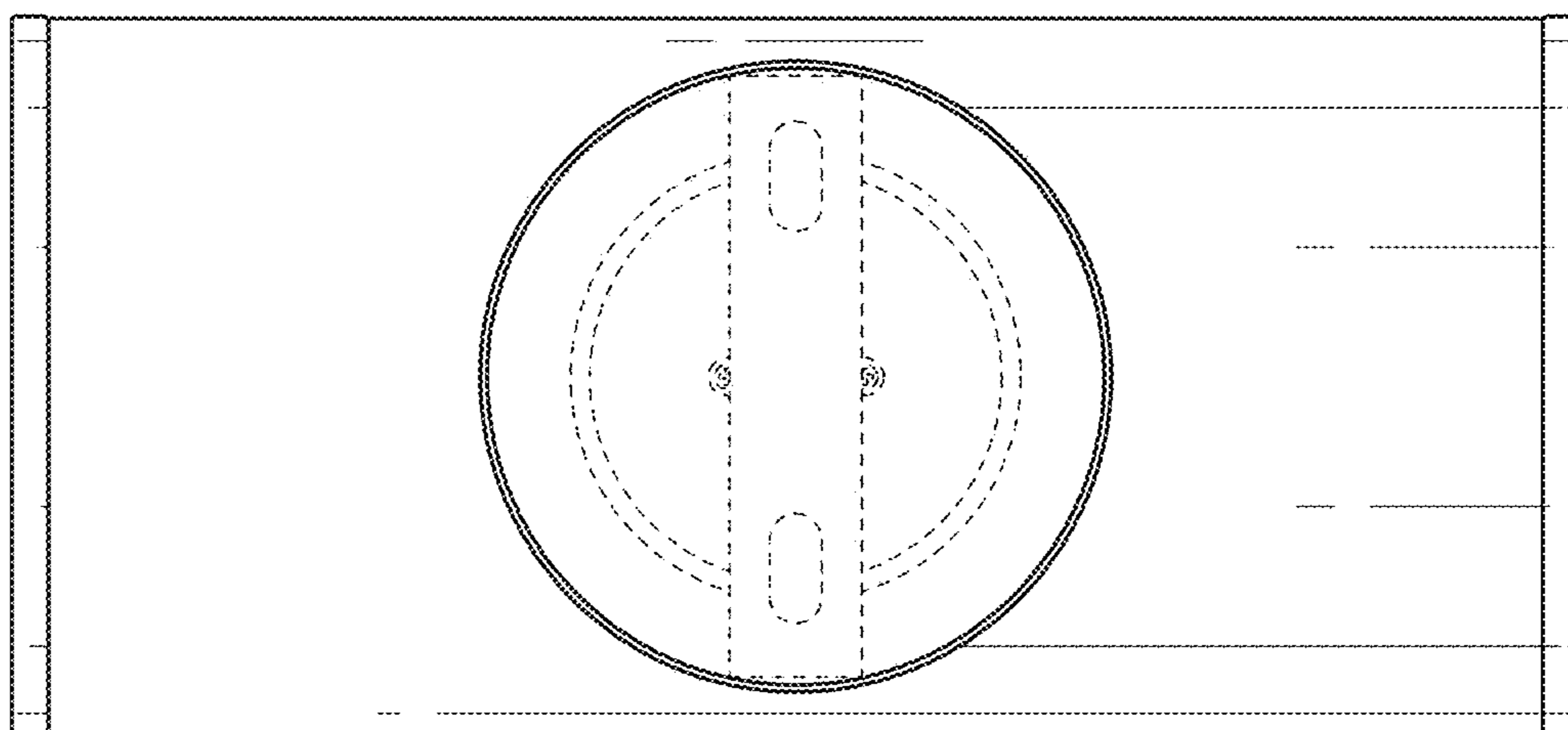


FIG. 7